



US00D414110S

# United States Patent [19] Gueret

[11] **Patent Number: Des. 414,110**

[45] **Date of Patent: \*\* Sep. 21, 1999**

[54] **PROTECTIVE CONTAINER**  
[75] Inventor: **Jean Louis Gueret**, Chevilly Larue,  
France  
[73] Assignee: **L'Oreal S.A.**, France  
[\*\*] Term: **14 Years**

0439034 7/1991 European Pat. Off. .... A45D 34/02  
0924786 8/1947 France .  
1214726 4/1960 France .  
2620913 3/1989 France ..... A45D 34/02  
0207798 6/1939 Switzerland .

[21] Appl. No.: **29/082,294**  
[22] Filed: **Jan. 20, 1998**  
[30] **Foreign Application Priority Data**

*Primary Examiner*—Doris V. Coles  
*Assistant Examiner*—Cathron B. Matta  
*Attorney, Agent, or Firm*—Baker & Botts, LLP

Dec. 19, 1997 [FR] France ..... 97 16161

[51] **LOC (6) Cl.** ..... **09-07**  
[52] **U.S. Cl.** ..... **D9/435; D9/455**  
[58] **Field of Search** ..... D9/434, 435, 455,  
D9/456, 499; D13/131, 132, 153, 155,  
156, 184; 132/295, 315; 206/581, 823

[57] **CLAIM**

The ornamental design for a protective container, as shown and described.

[56] **References Cited**  
**U.S. PATENT DOCUMENTS**

**DESCRIPTION**

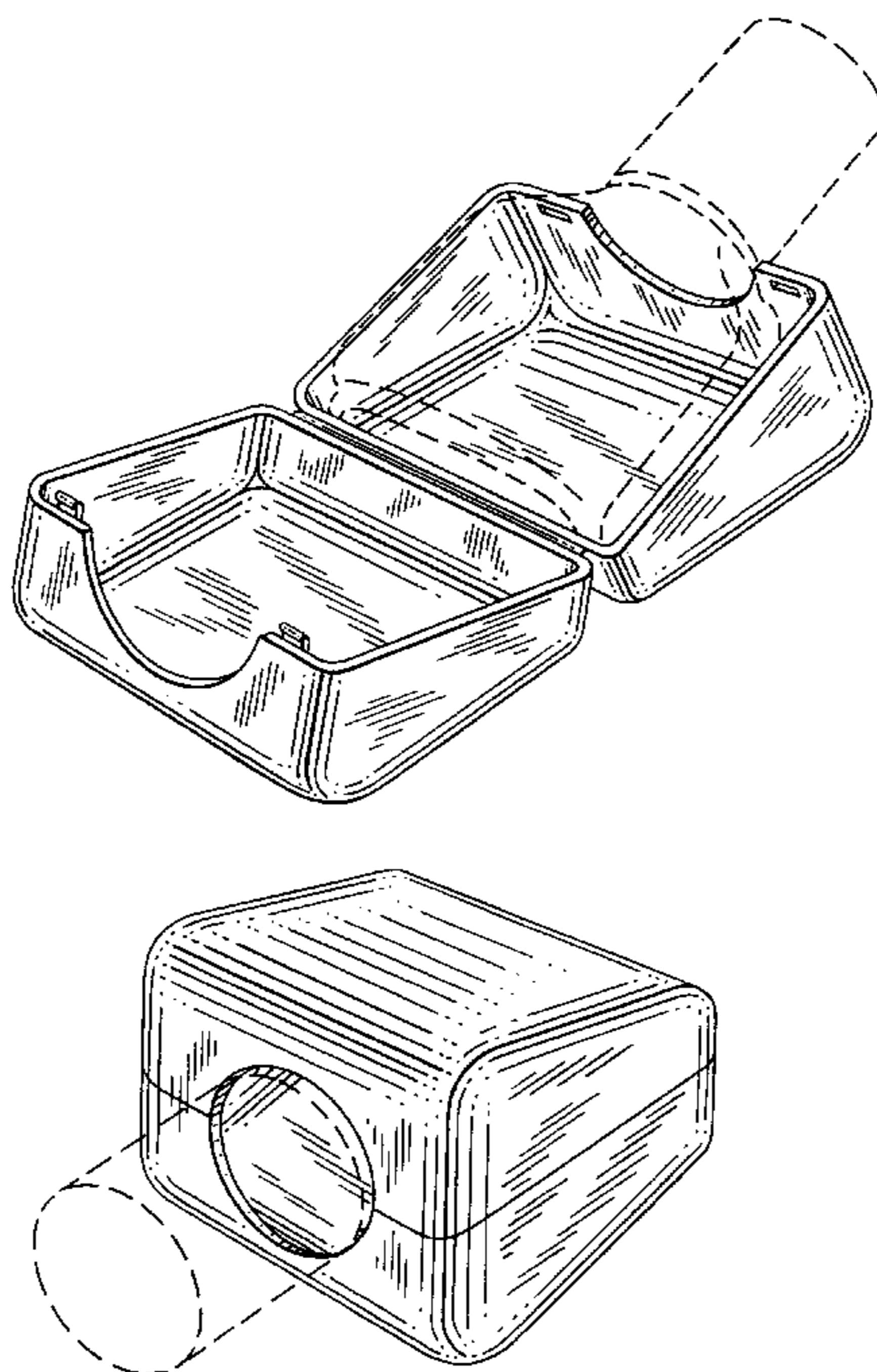
D. 287,485 12/1986 Hamer et al. .  
D. 324,176 2/1992 Patterson ..... D9/455  
D. 341,567 11/1993 Acker et al. .... D13/184 X  
D. 377,901 2/1997 Payne et al. .... D9/456  
2,093,905 9/1937 Bowen ..... 215/12  
2,328,338 8/1943 Hauptman ..... 215/12  
4,638,910 1/1987 Bokmiller ..... 206/581 X  
4,799,636 1/1989 Johnson ..... 248/102  
4,858,765 8/1989 Nakamura et al. .... 206/581  
4,941,579 7/1990 Lee ..... 215/11.1  
5,007,531 4/1991 Lighten ..... 206/581 X  
5,391,011 2/1995 Gueret ..... 401/126  
5,513,885 5/1996 Joffe ..... 294/31.2

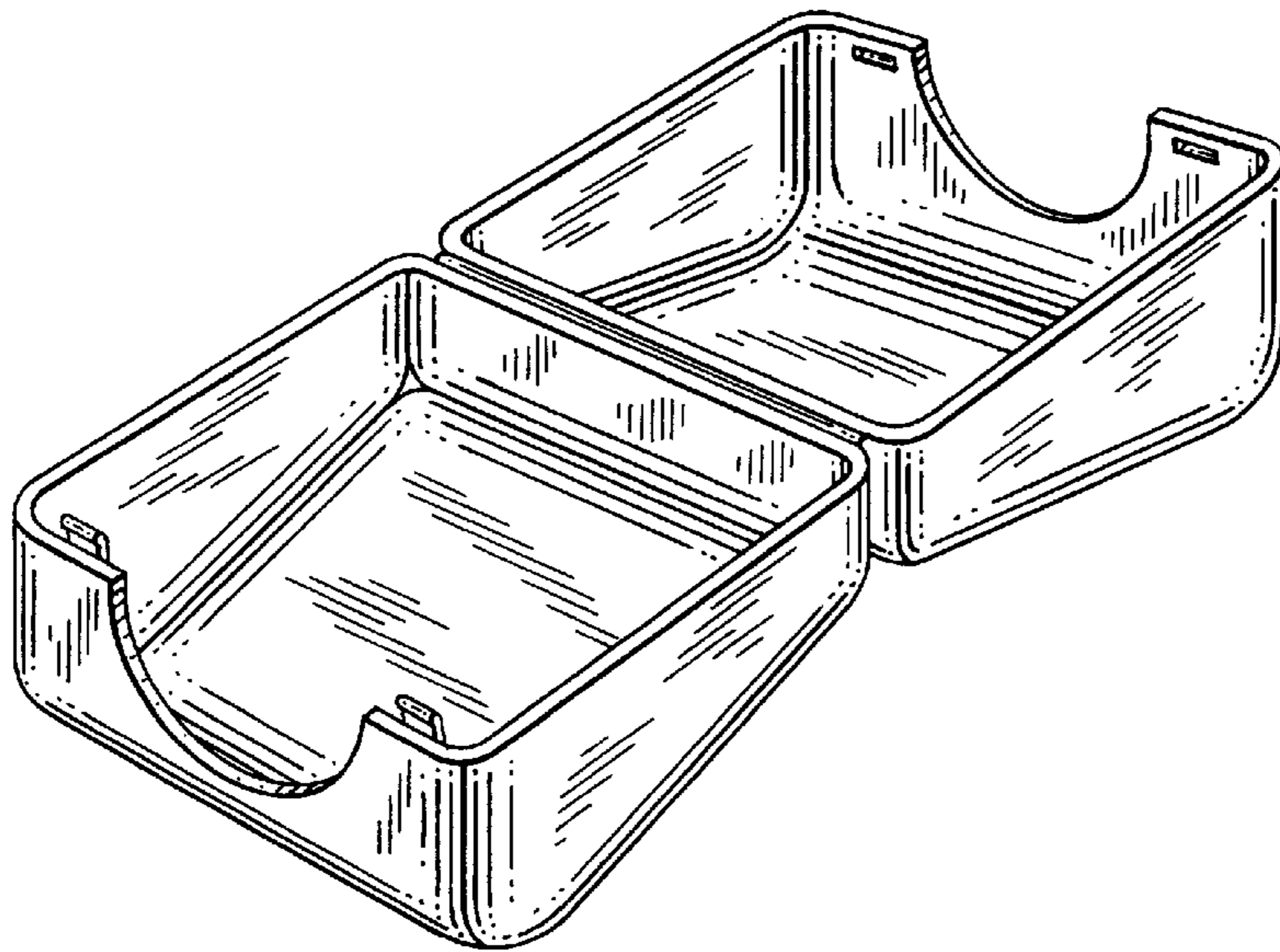
FIG. 1 is a three-dimensional perspective view of the protective container in the opened position of the present invention;  
FIG. 2 is a three-dimensional perspective view of the protective container in the closed position of the present invention;  
FIG. 3 is a front view of the protective container of the present invention, the rear view being a mirror image thereof;  
FIG. 4 is a side view of the protective container of the present invention, the opposite side view being a mirror image thereof;  
FIG. 5 is a three-dimensional perspective view of the protective container in the opened position and showing a container therein; and,  
FIG. 6 is a three-dimensional perspective view of the protective container in the closed position and showing a container therein.

**FOREIGN PATENT DOCUMENTS**

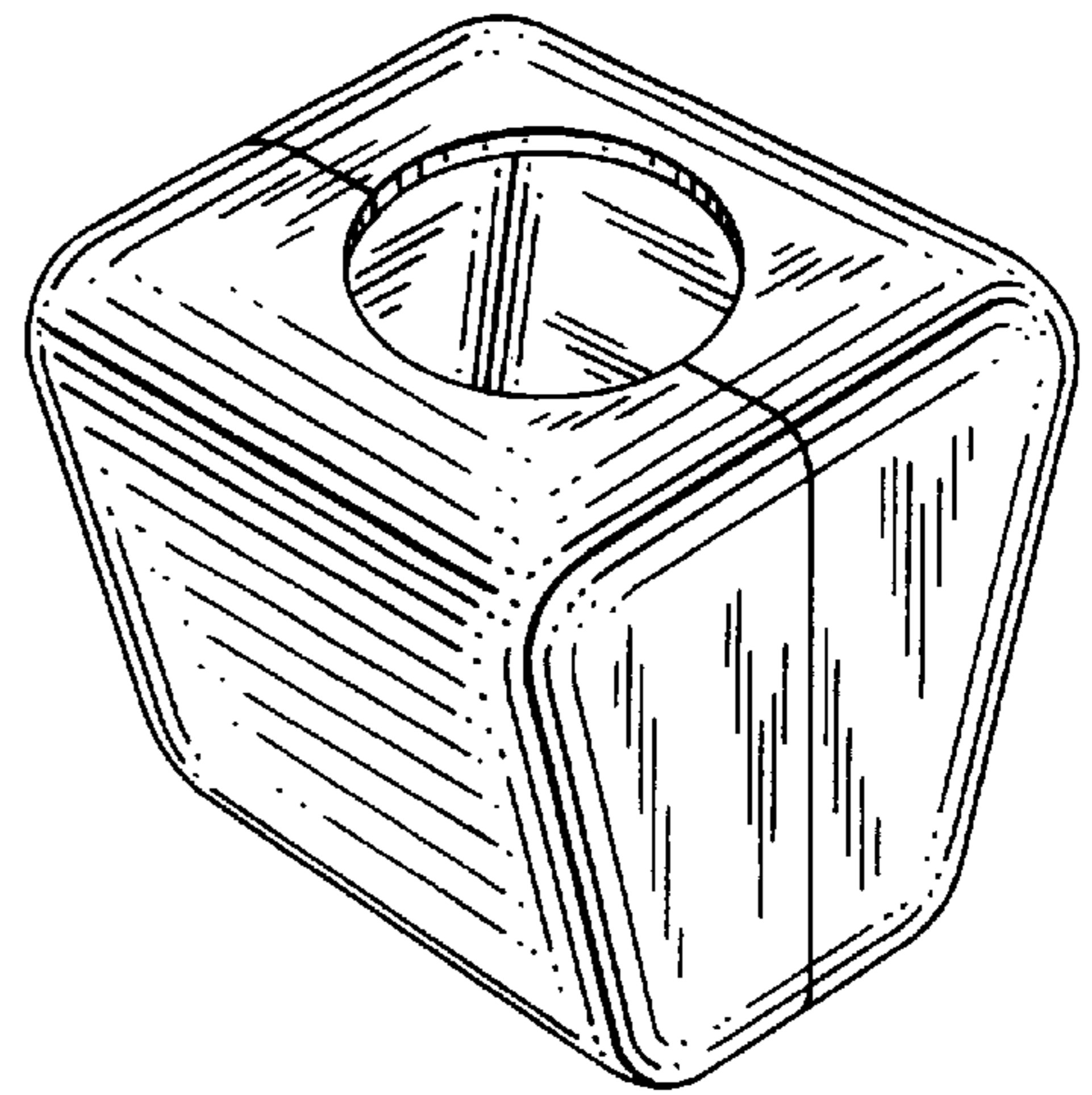
0279714 8/1988 European Pat. Off. .... A45D 34/00

**1 Claim, 2 Drawing Sheets**

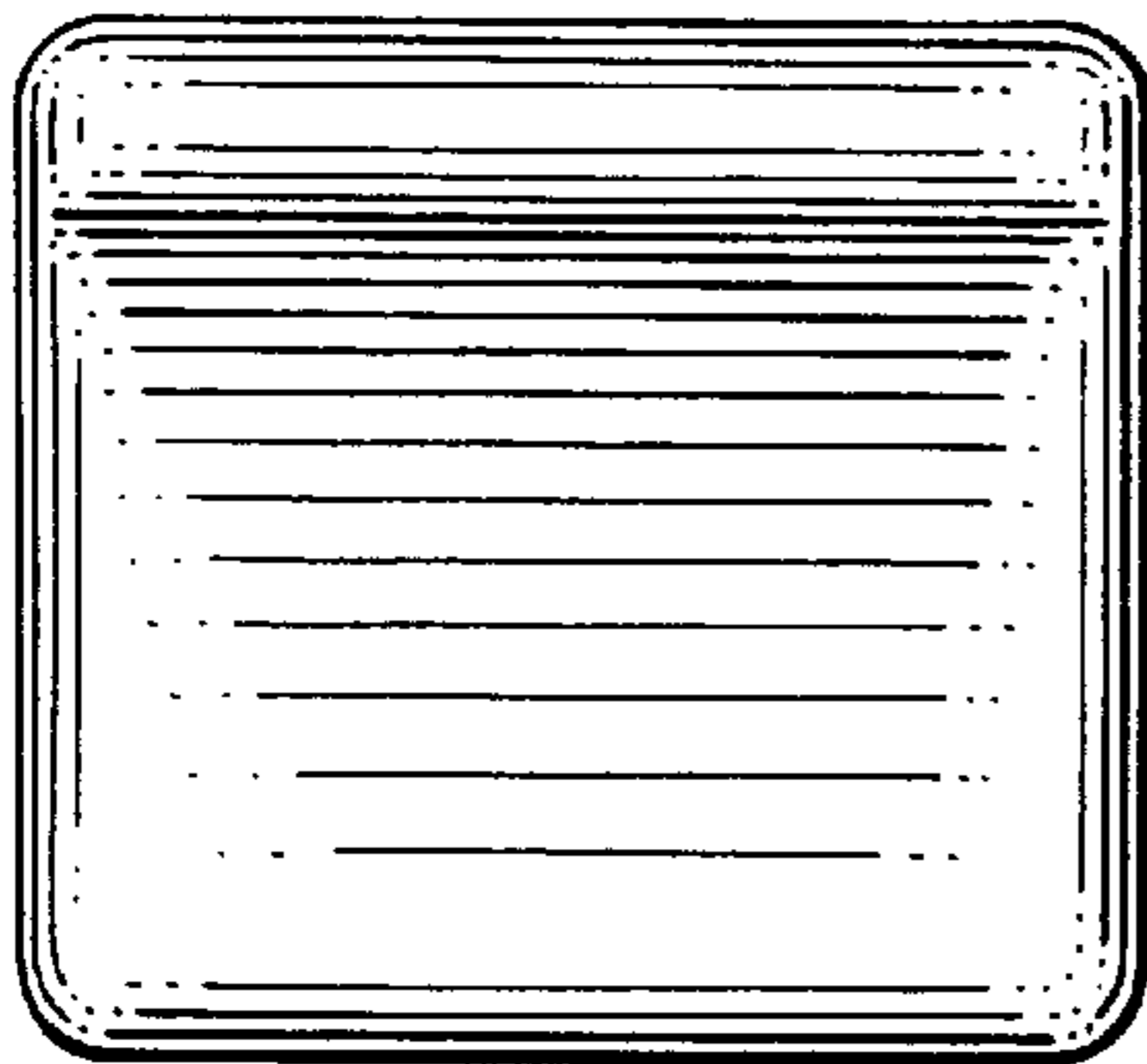




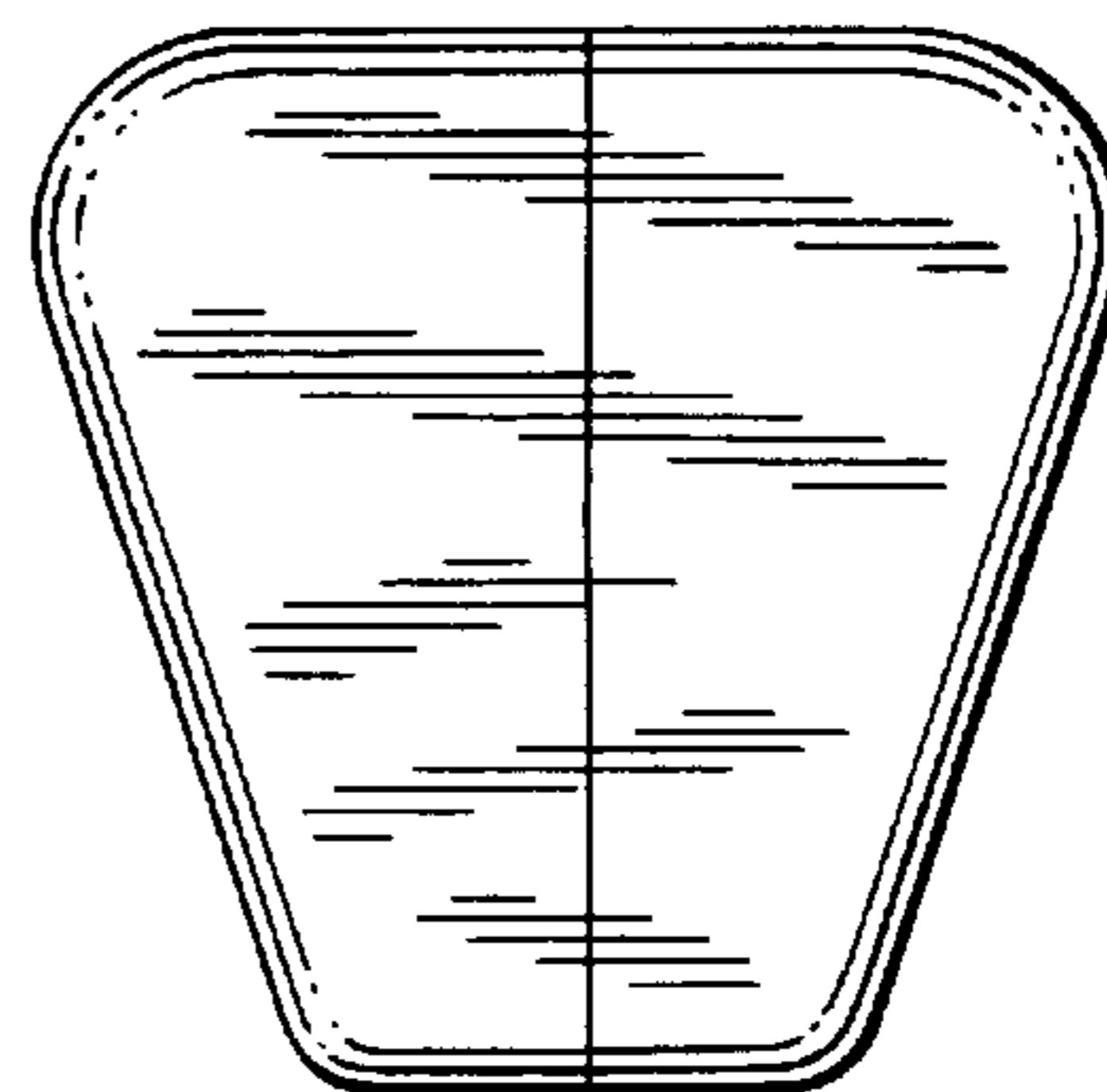
**FIG. 1**



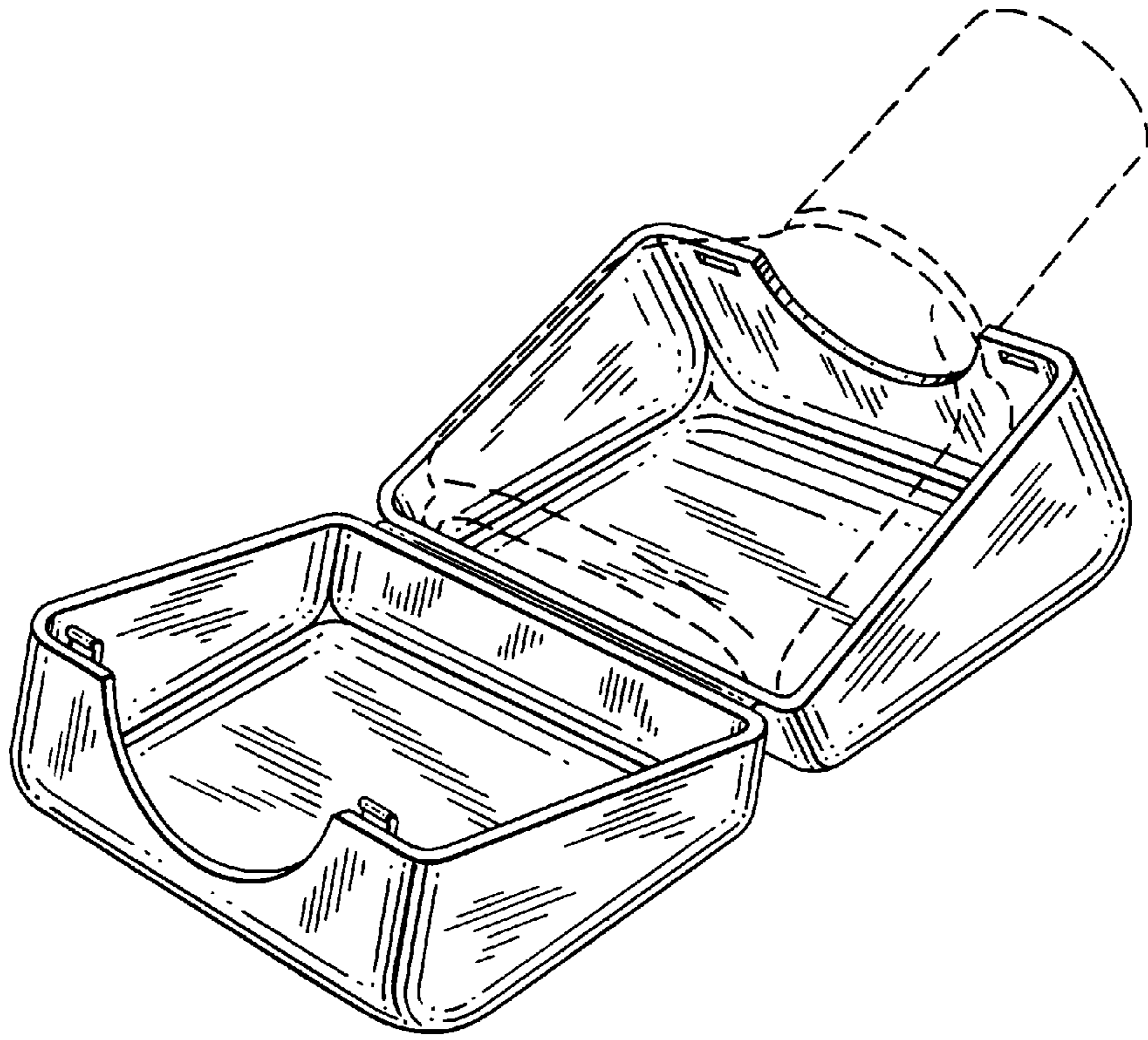
**FIG. 2**



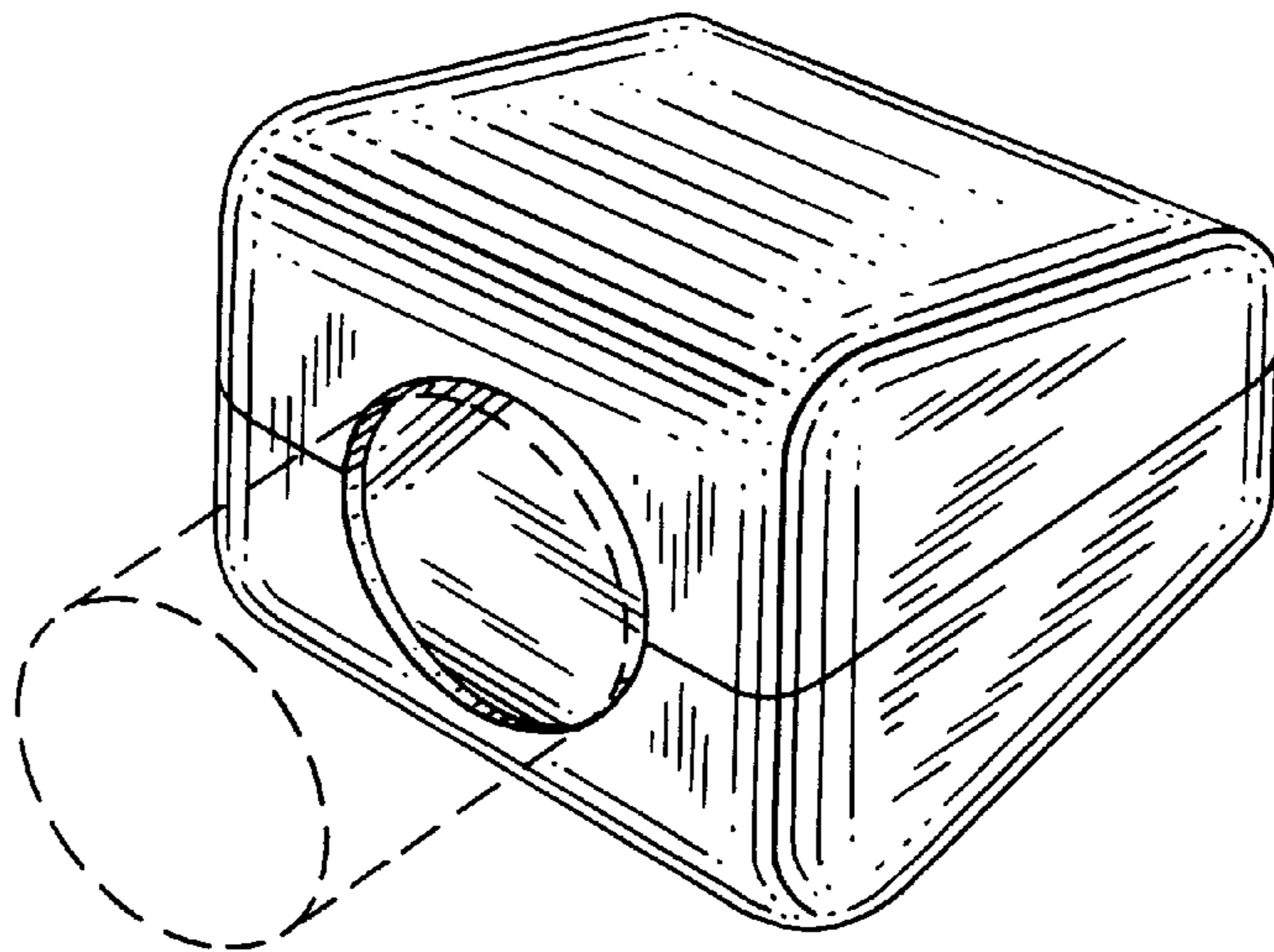
**FIG. 3**



**FIG. 4**



**FIG. 5**



**FIG. 6**