



US00D414106S

# United States Patent [19] Anderson

[11] Patent Number: Des. 414,106

[45] Date of Patent: \*\* \*Sep. 21, 1999

[54] **HOLDER FOR BLISTER PACKS**  
[75] Inventor: **Gregor J. M. Anderson**, Ware, United Kingdom

[73] Assignee: **Glaxo Group Limited**, United Kingdom

[\*] Notice: This patent is subject to a terminal disclaimer.

[\*\*] Term: **14 Years**

[21] Appl. No.: **29/081,518**

[22] Filed: **Dec. 30, 1997**

### [30] Foreign Application Priority Data

Jun. 30, 1997 [GB] United Kingdom ..... 2067022

[51] **LOC (6) Cl.** ..... **09-03**

[52] **U.S. Cl.** ..... **D9/341**

[58] **Field of Search** ..... D9/341, 345, 347, D9/348, 415, 418, 419, 424; 206/461-471, 526, 528, 531, 532, 538, 539, 820

### [56] References Cited

#### U.S. PATENT DOCUMENTS

- D. 262,190 12/1981 Stanton .
- D. 293,887 1/1988 Webster ..... D9/341
- D. 306,825 3/1990 Slegel .
- D. 358,762 5/1995 Walchek, Jr. et al. .... D9/346
- 3,584,598 6/1971 Gayle et al. .... D9/314 X
- 3,809,221 5/1974 Compere .
- 3,872,970 3/1975 Edison .
- 3,905,479 9/1975 Gerner et al. .
- 3,921,804 11/1975 Tester ..... 206/531
- 4,125,190 11/1978 Davie, Jr. et al. .
- 4,196,809 4/1980 Tonrey .
- 4,231,477 11/1980 De Felice .
- 4,243,144 1/1981 Margulies .
- 4,280,621 7/1981 Tonrey .
- 4,485,915 12/1984 Berghahn .

- 4,506,789 3/1985 Dlugosz .
- 4,537,312 8/1985 Intini .
- 4,594,865 6/1986 Parcell .
- 4,615,054 10/1986 Buecheler et al. .
- 4,889,236 12/1989 Bartell et al. .

(List continued on next page.)

#### FOREIGN PATENT DOCUMENTS

- 9528437 8/1994 Australia .
- 2001-949-A 11/1989 Canada .
- 0 210 820 2/1987 European Pat. Off. .
- 0 304 340 2/1989 European Pat. Off. .
- 0 542 324 A1 5/1993 European Pat. Off. .
- 0 547 426 A1 6/1993 European Pat. Off. .
- 0 634 342 A2 1/1995 European Pat. Off. .
- 0 703 157 A1 3/1996 European Pat. Off. .
- 3838144 11/1968 Germany .

(List continued on next page.)

*Primary Examiner*—Raphael Barkai  
*Assistant Examiner*—Nanda Bondade  
*Attorney, Agent, or Firm*—Nixon & Vanderhye

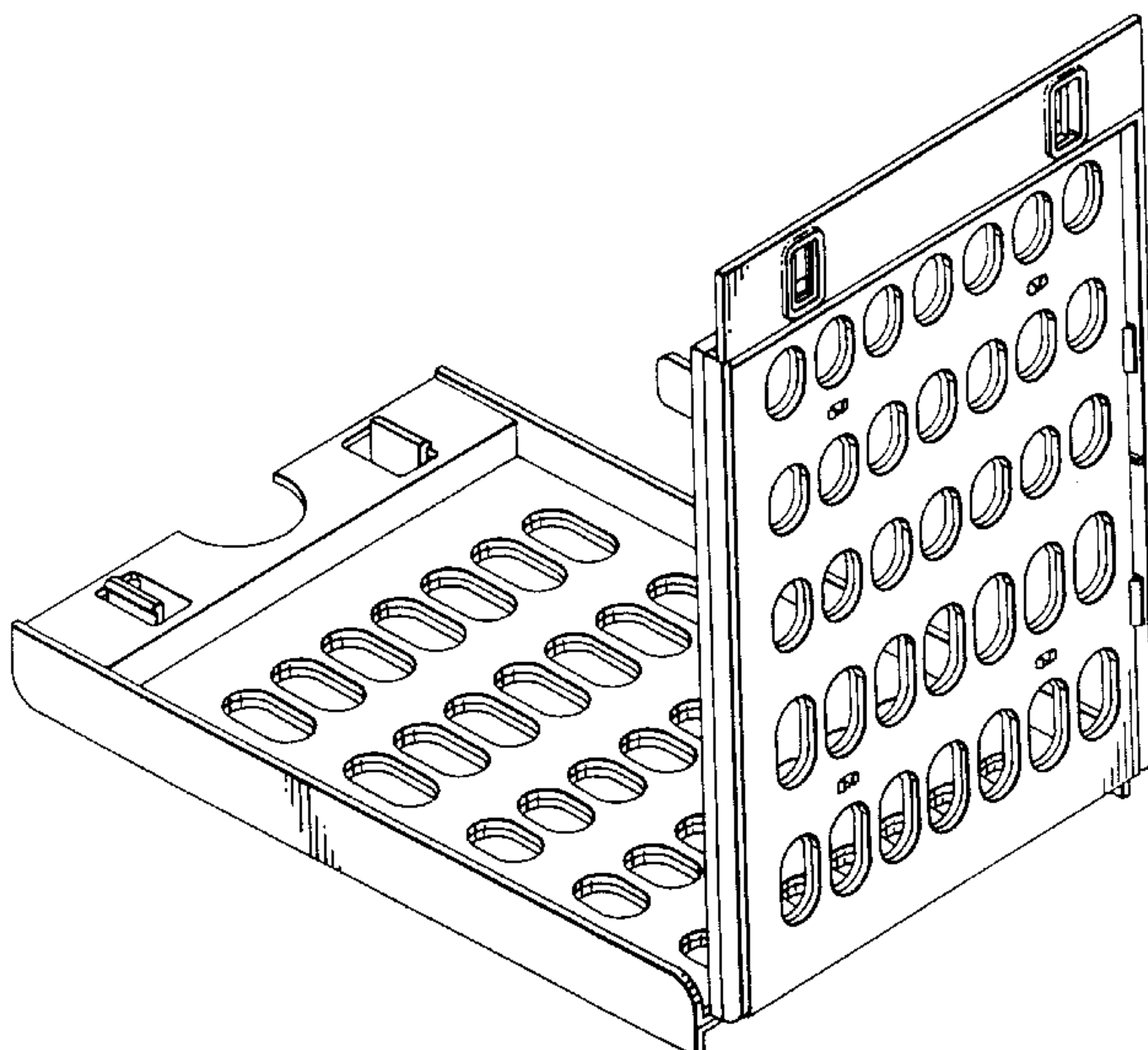
### [57] CLAIM

The ornamental design for a “holder for blister packs,” as shown and described.

### DESCRIPTION

FIG. 1 is a perspective view of a holder for blister packs, illustrated in a partially open position in accordance with my design.  
FIG. 2 is a bottom perspective view of parts forming the holder for blister packs in an open position thereof;  
FIG. 3 is a plan view of the parts forming the holder for blister packs separated from one another;  
FIG. 4 is a bottom plan view illustrating the parts of the holder for blister packs separated from one another; and,  
FIGS. 5, 6 and 7 are cross-sectional views thereof taken generally about lines 5—5, 6—6 and 7—7.

**1 Claim, 5 Drawing Sheets**



## U.S. PATENT DOCUMENTS

4,958,736	9/1990	Urheim .	
4,988,004	1/1991	Intini .	
5,035,635	7/1991	Tsai et al. .	
5,046,618	9/1991	Wood .	
5,076,461	12/1991	Nichols .	
5,088,603	2/1992	Kirkpatrick .	
5,109,984	5/1992	Romick .....	206/531
5,129,527	7/1992	Lataix .	
5,150,793	9/1992	Tannenbaum .	
5,172,812	12/1992	Wharton et al. .	
5,310,060	5/1994	Bitner .	
5,323,907	6/1994	Kalvelage .....	206/531
5,339,960	8/1994	Price .	
5,346,069	9/1994	Intini .	
5,437,371	8/1995	Lataix .	
5,464,118	11/1995	Grau et al. .	
5,469,968	11/1995	Matthews et al. .	
5,511,665	4/1996	Dressel .	
5,529,188	6/1996	Coggsell .	
5,575,399	11/1996	Intini .	

## FOREIGN PATENT DOCUMENTS

3428295	10/1985	Germany .
3832049 A1	3/1990	Germany .
3832084A1	3/1990	Germany .
3840080	5/1990	Germany .
4101265A1	7/1992	Germany .
4429503A1	2/1996	Germany .
1026808	of 0000	United Kingdom .
1032400	of 0000	United Kingdom .
2 020 725	11/1979	United Kingdom .
2040693	7/1994	United Kingdom .
2052889	6/1995	United Kingdom .
WO 84/01556	4/1984	WIPO .
WO 91/09637	7/1991	WIPO .
WO 94/27555	12/1994	WIPO .
WO 95/23101	8/1995	WIPO .
WO		
9603329A1	2/1996	WIPO .
WO 96/07601	3/1996	WIPO .
WO 97/02192	1/1997	WIPO .

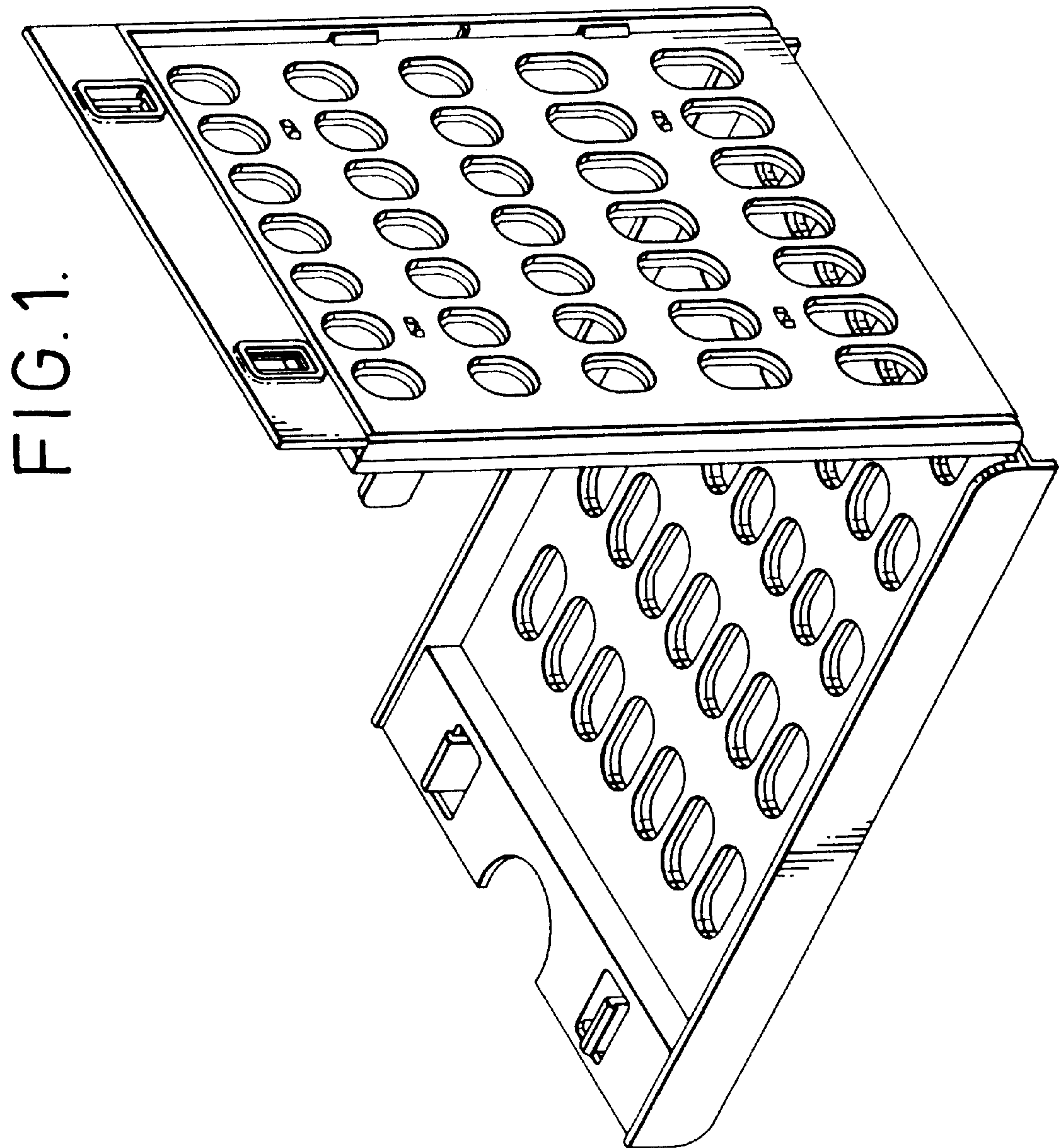


FIG. 1.



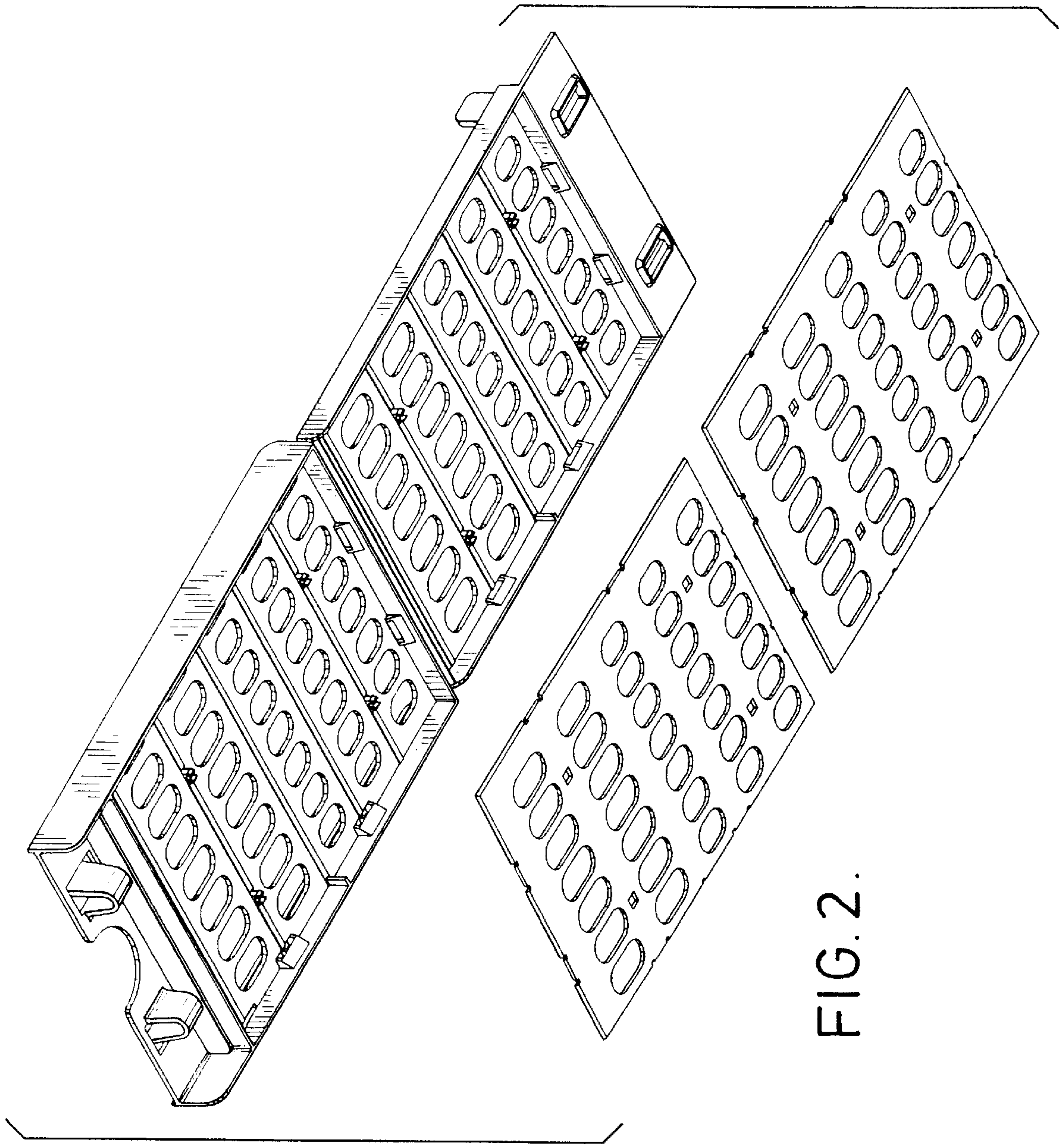
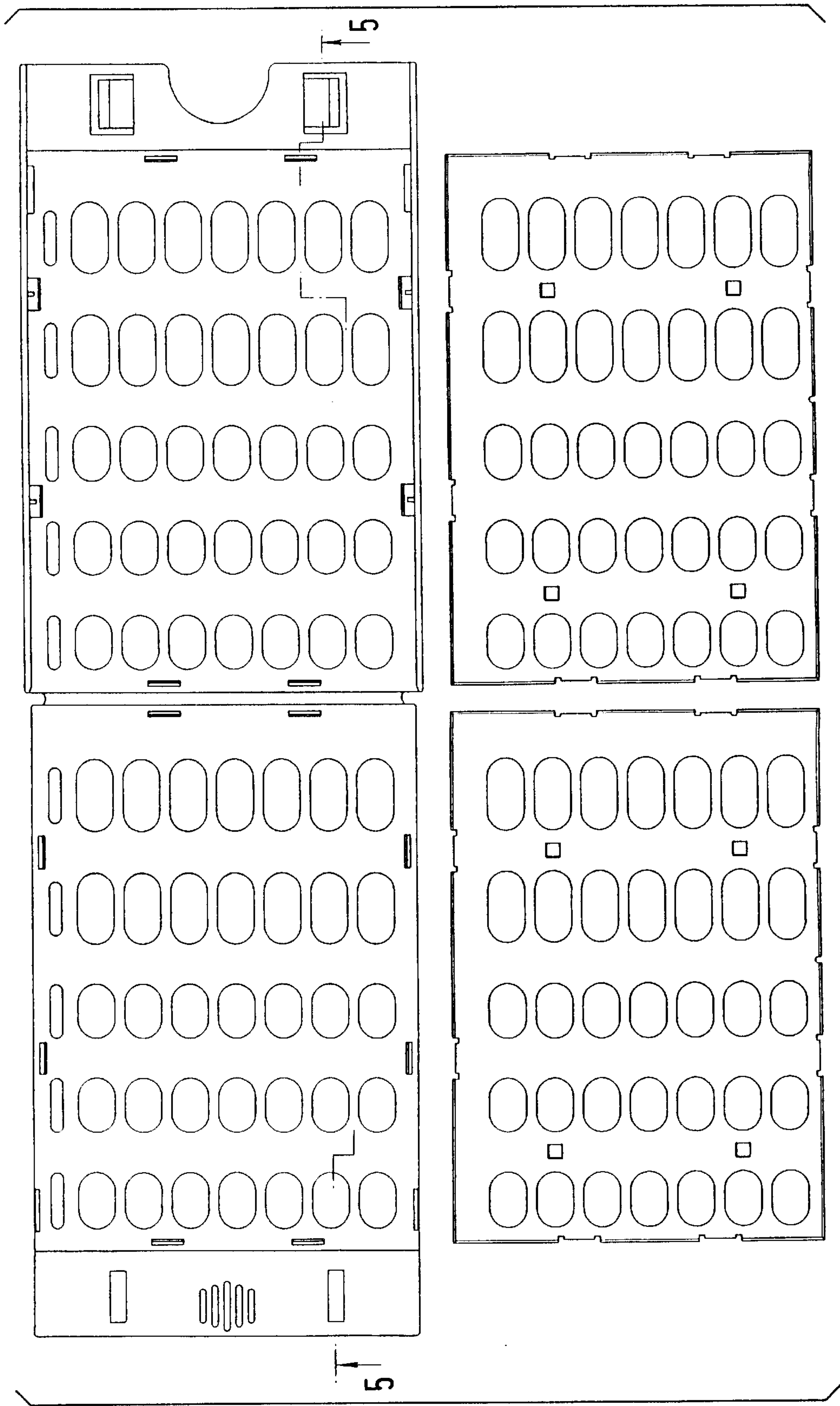


FIG. 2.

FIG. 3.



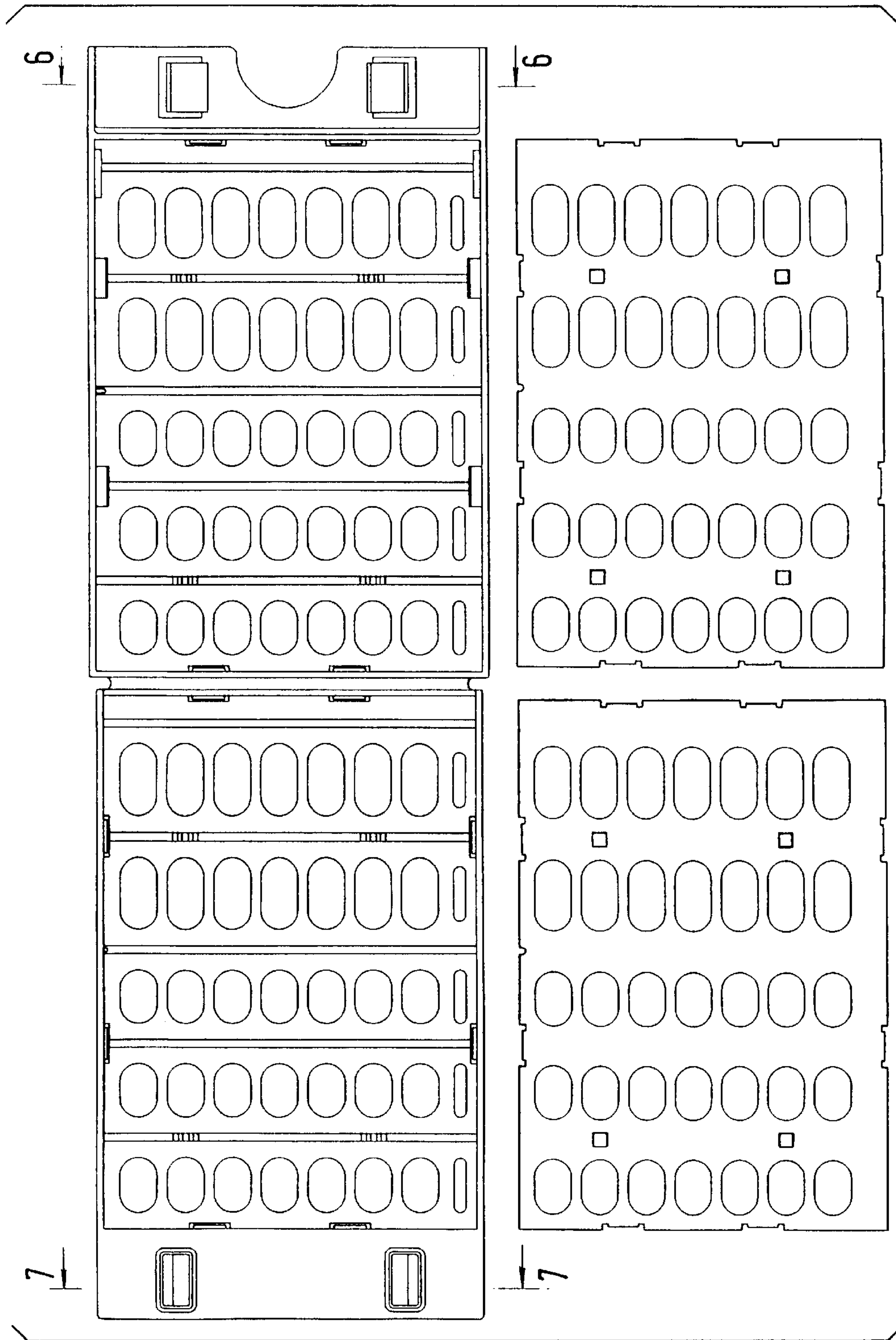


FIG. 4.

FIG. 5.

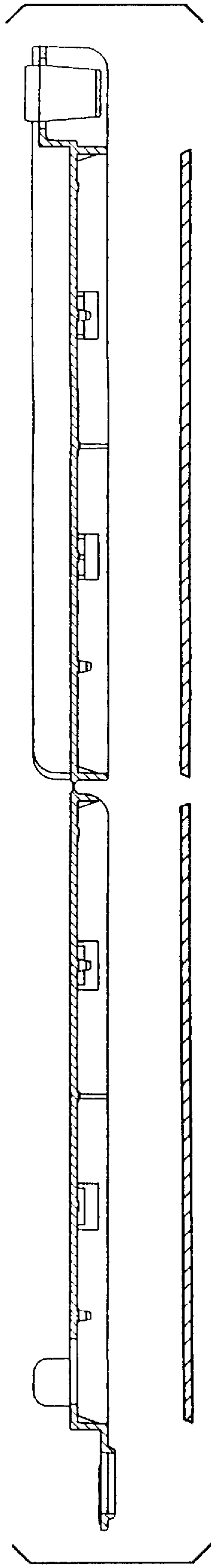


FIG. 6.

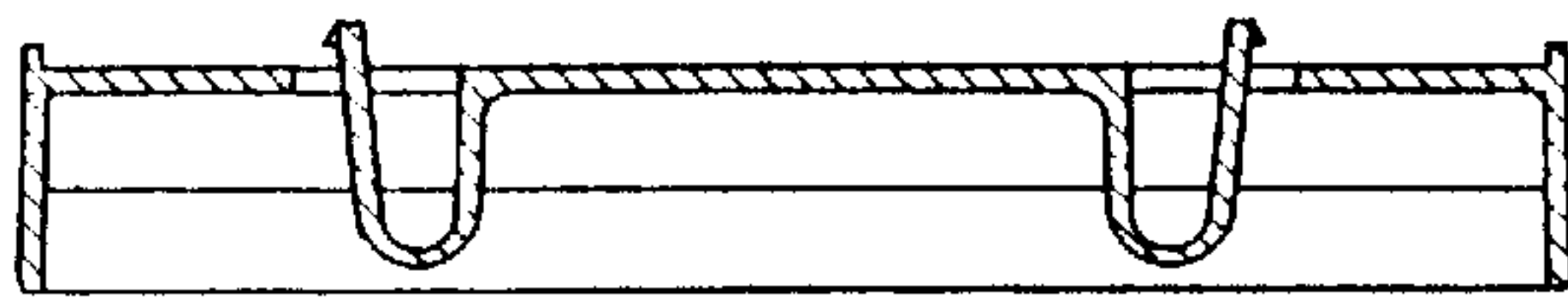


FIG. 7.

