



US00D414097S

United States Patent [19]

Berg et al.

[11] Patent Number: **Des. 414,097**

[45] Date of Patent: **** Sep. 21, 1999**

[54] **FOLDED MULTIPURPOSE TOOL**

[75] Inventors: **Howard G. Berg**, Gresham; **Timothy S. Leatherman**, Portland, both of Oreg.

[73] Assignee: **Leatherman Tool Group, Inc.**, Portland, Oreg.

[**] Term: **14 Years**

[21] Appl. No.: **29/099,869**

[22] Filed: **Jan. 29, 1999**

[51] **LOC (6) Cl.** **08-05**

[52] **U.S. Cl.** **D8/105; D8/55**

[58] **Field of Search** D8/105, 107, 55, D8/52, 98, 99; 7/128, 129, 118, 117, 168, 167; 81/427.5, 177.1, 177.2, 117.6, 300; 30/152, 153, 161, 162, 255

[56] **References Cited**

U.S. PATENT DOCUMENTS

D. 384,872	10/1997	Yeh	D8/105
D. 385,170	10/1997	Rivera	D8/52
D. 398,209	9/1998	Rivera	D8/52
D. 403,569	1/1999	Frazer	D8/105
D. 406,508	3/1999	Rivera	D8/55
D. 406,509	3/1999	Rivera	D8/55
D. 406,997	3/1999	Robbins	D8/55
D. 407,621	4/1999	Koon et al.	D8/105
2,106,584	1/1938	Whiting	81/427.5
4,238,862	12/1980	Leatherman	7/128

4,648,145	3/1987	Miceli	7/158
4,722,140	2/1988	Miceli	30/153
4,744,272	5/1988	Leatherman	81/427.5
4,888,869	12/1989	Leatherman	30/161
5,062,173	11/1991	Collins et al.	30/255 X
5,142,721	9/1992	Sessions et al.	7/128
5,212,844	5/1993	Sessions et al.	7/128
5,267,366	12/1993	Frazer	7/128
5,697,114	12/1997	McIntosh et al.	17/129
5,745,997	5/1998	Berg et al.	30/155
5,781,950	7/1998	Swindey et al.	7/128
5,809,599	9/1998	Frazer	7/128
5,826,338	10/1998	Chilton et al.	30/90.1

Primary Examiner—Jeffrey Asch
Attorney, Agent, or Firm—Chernoff, Vilhauer, McClung & Stenzel, LLP

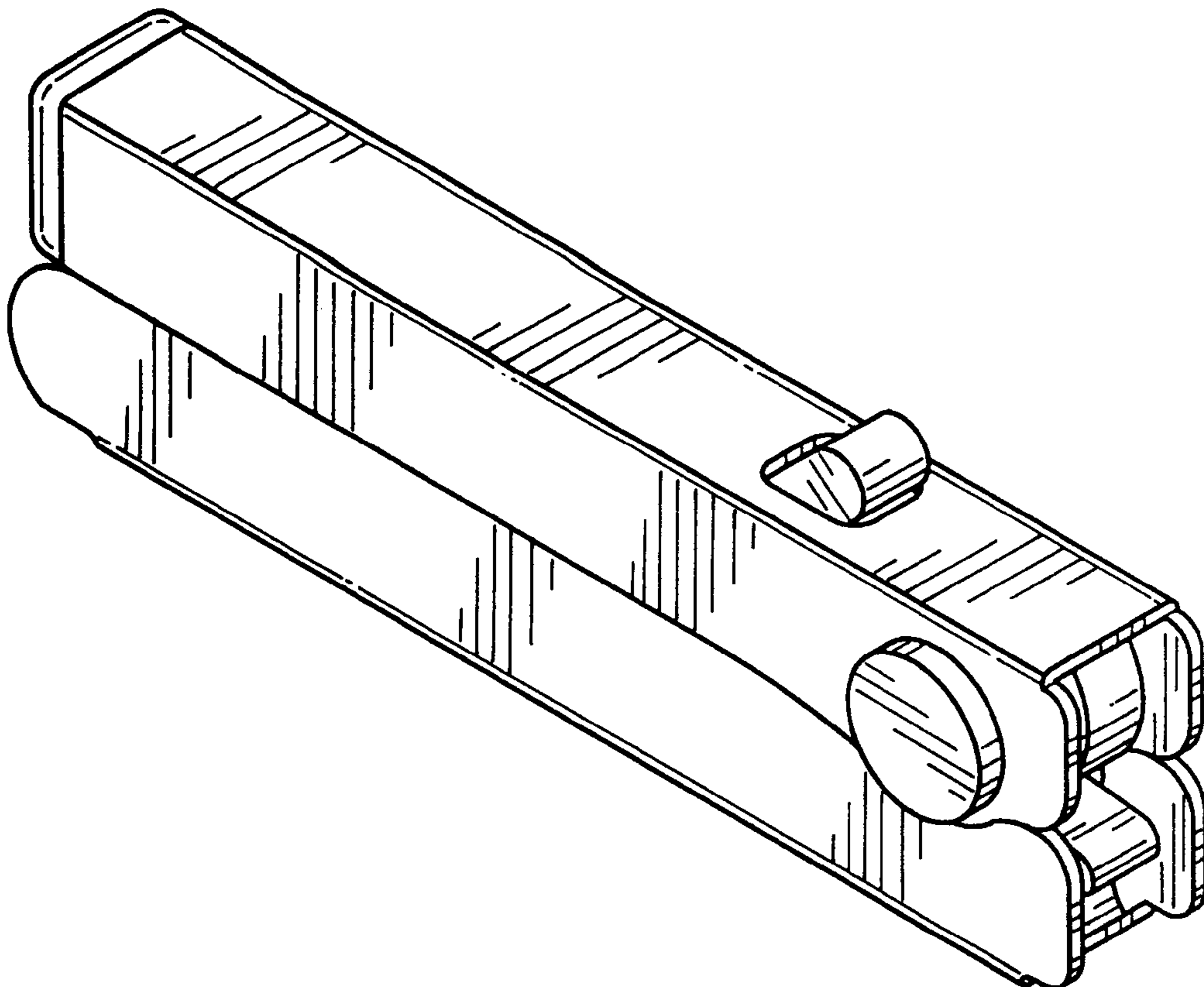
[57] **CLAIM**

The ornamental design for a folded multipurpose tool, as shown and described.

DESCRIPTION

FIG. 1 is an isometric view from the upper right front of a folded multipurpose tool, showing our new design; FIG. 2 is a top plan view thereof; FIG. 3 is a right side elevational view thereof, the left side view being a mirror image of the view shown in FIG. 3. FIG. 4 is a bottom plan view thereof; FIG. 5 is a rear end view thereof; and, FIG. 6 is a front end view thereof.

1 Claim, 1 Drawing Sheet



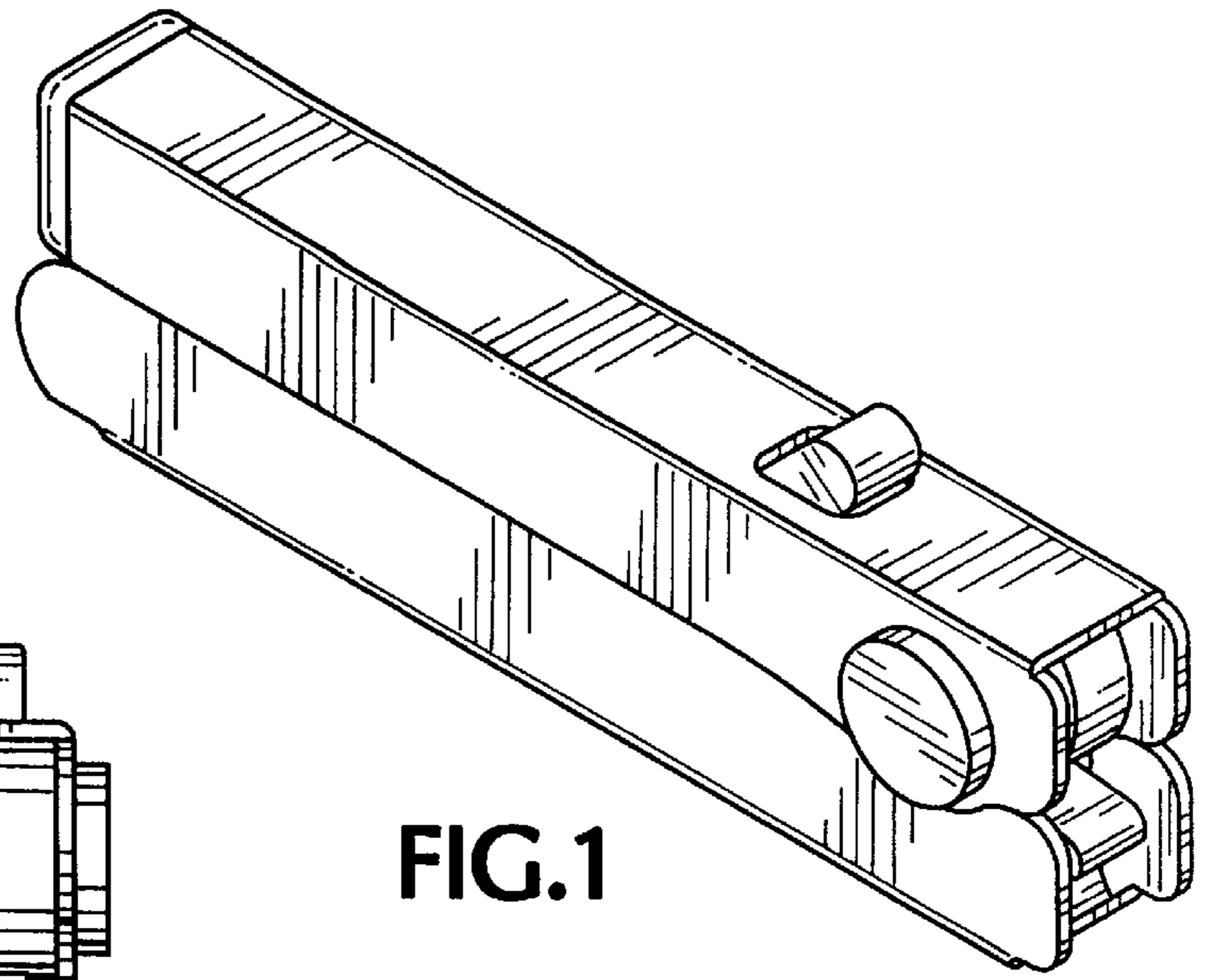


FIG. 1

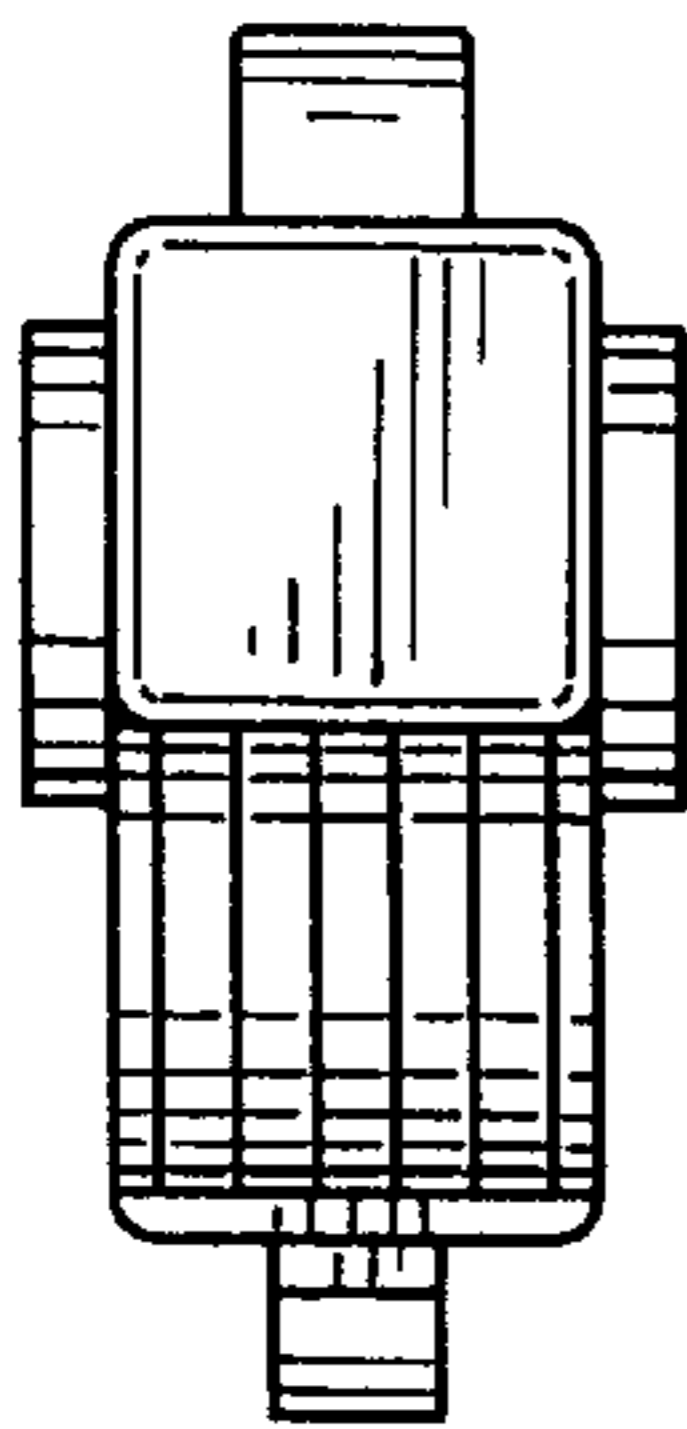


FIG. 5

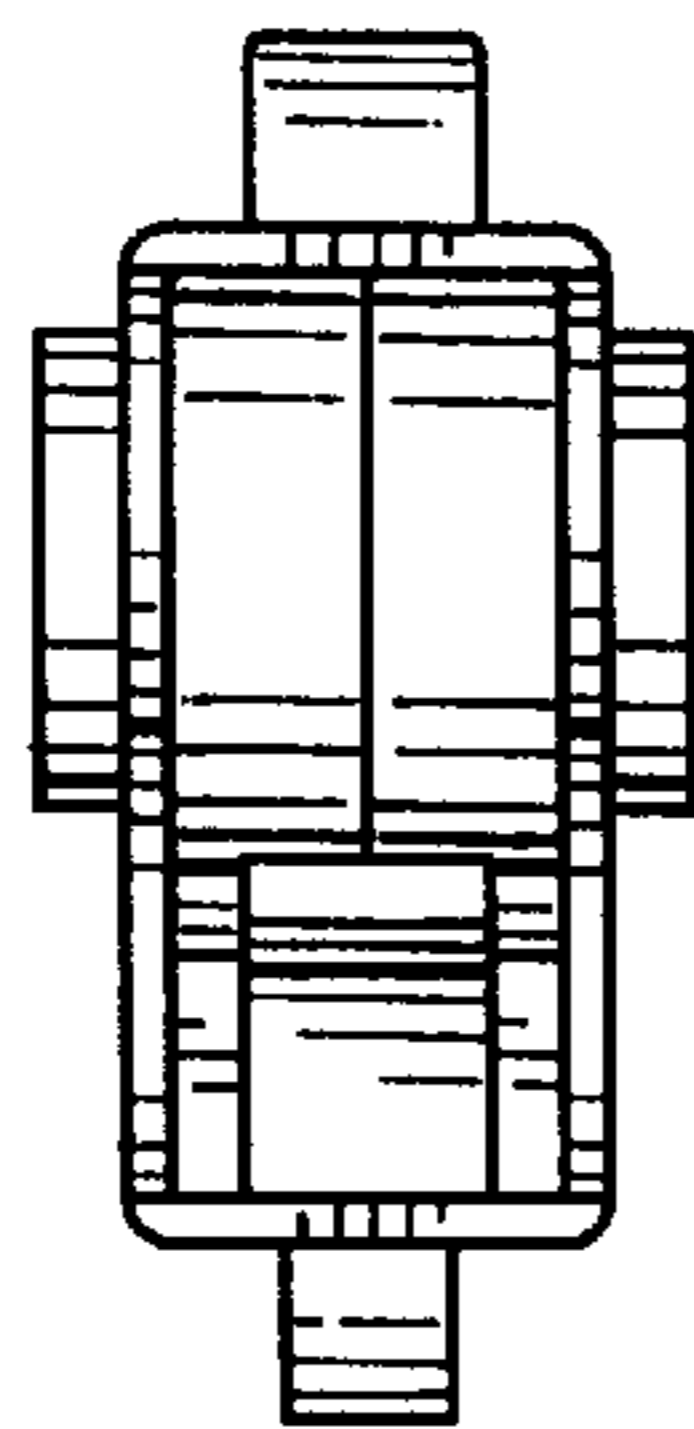


FIG. 6

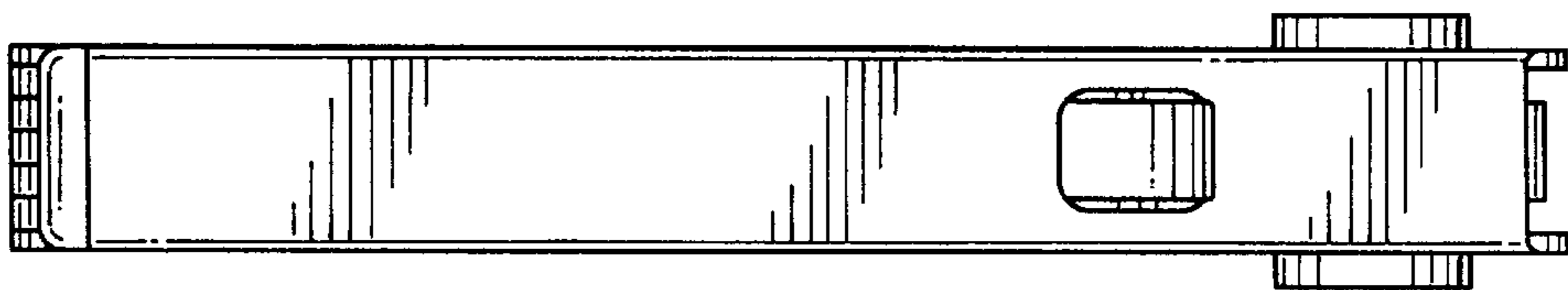


FIG. 2

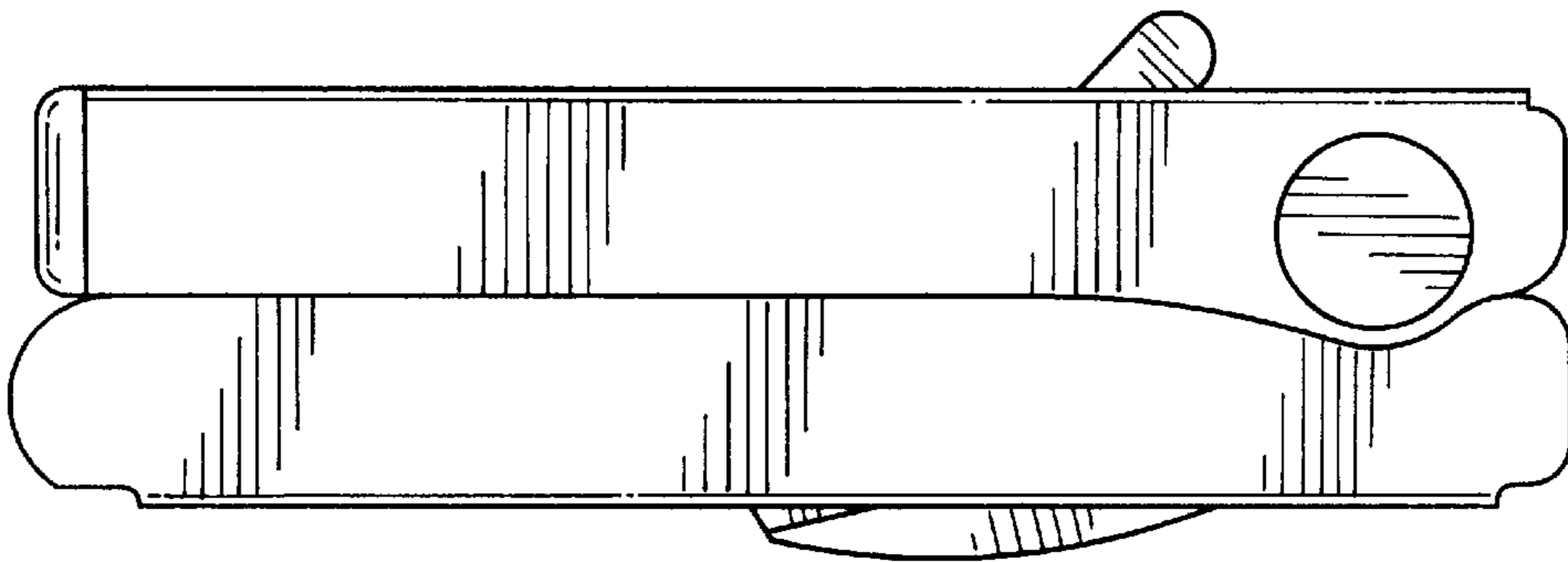


FIG. 3

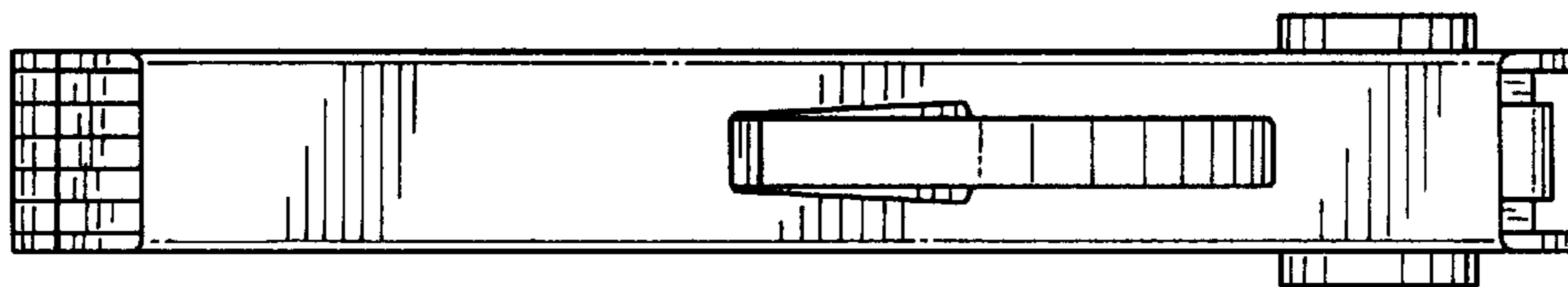


FIG. 4