



US00D414094S

# United States Patent [19] Heun

[11] Patent Number: Des. 414,094

[45] Date of Patent: \*\* Sep. 21, 1999

[54] ELECTRIC JIGSAW

[75] Inventor: Ping Hay Heun, Aberdeen, The Hong Kong Special Administrative Region of the People's Republic of China

[73] Assignee: Choon Nang Electrical Appliance Mfy., Ltd., Aberdeen, The Hong Kong Special Administrative Region of the People's Republic of China

[\*\*] Term: 14 Years

[21] Appl. No.: 29/099,679

[22] Filed: Jan. 26, 1999

[30] Foreign Application Priority Data

Aug. 3, 1998 [GB] United Kingdom ..... 2076543

[51] LOC (6) Cl. .... 08-03

[52] U.S. Cl. .... D8/64

[58] Field of Search ..... D8/64-69; 30/272-3, 30/376-377, 388-394

[56] References Cited

U.S. PATENT DOCUMENTS

D. 196,420 9/1963 Weller et al. .

D. 197,549	2/1964	Johnson .	
D. 262,472	12/1981	Wildman .....	D21/532
D. 339,276	9/1993	Matsuoka et al. ....	D8/64
D. 404,274	1/1999	Ogasawara .....	D8/64
3,863,342	2/1975	Griffies et al. ....	30/393
3,971,132	7/1976	Griffies et al. ....	30/393
5,634,277	6/1997	Wada et al. ....	30/392

Primary Examiner—Nelson. C. Holtje  
Attorney, Agent, or Firm—Leydig, Voit & Mayer, Ltd

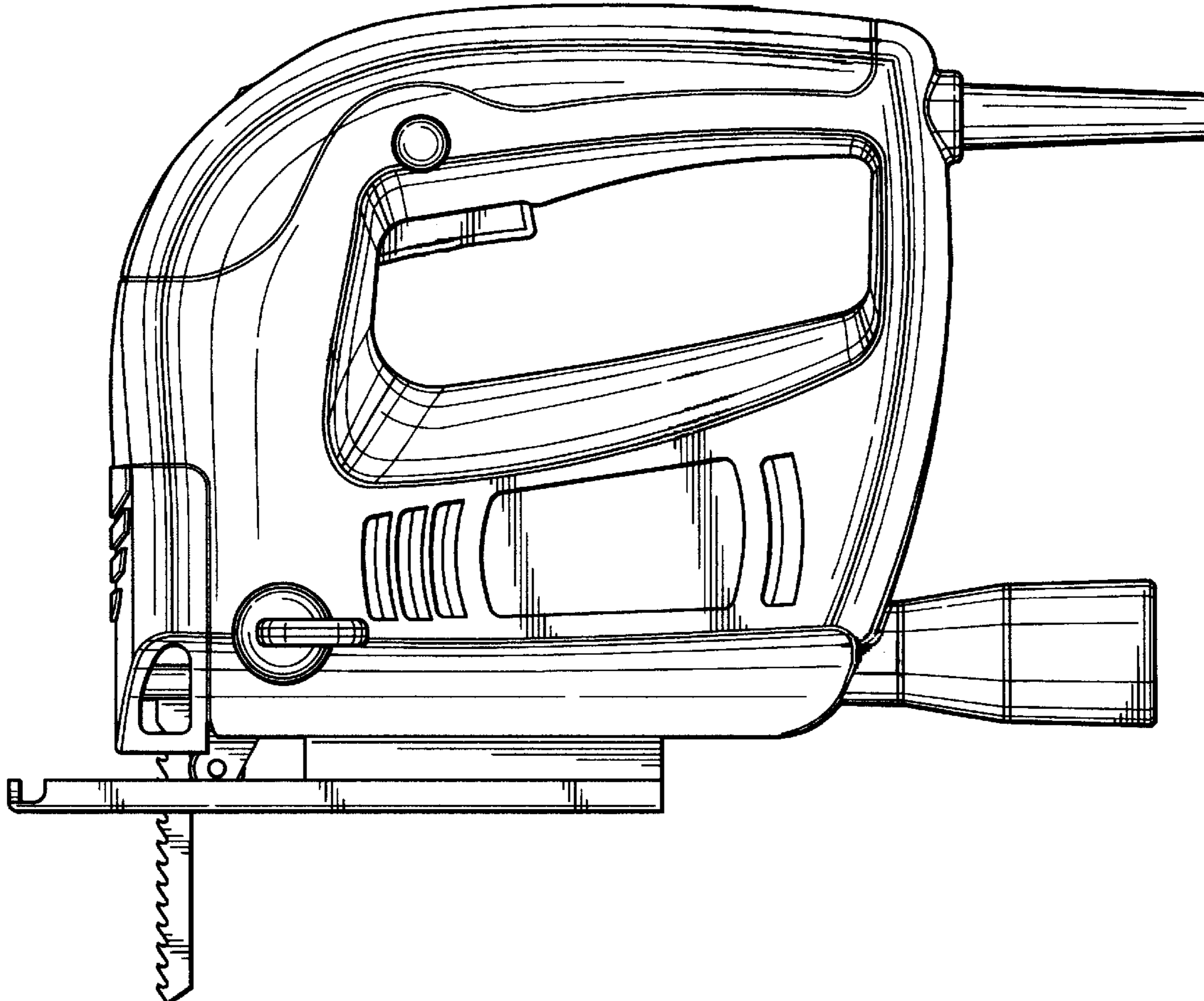
[57] CLAIM

The ornamental design for an electric jigsaw, as shown and described.

DESCRIPTION

FIG. 1 is a left side elevational view of an electric jigsaw showing my new design;  
FIG. 2 is a top plan view thereof;  
FIG. 3 is a right side elevational view thereof;  
FIG. 4 is a bottom plan view thereof;  
FIG. 5 is a front end elevational view thereof; and,  
FIG. 6 is a rear end elevational view thereof.

1 Claim, 3 Drawing Sheets



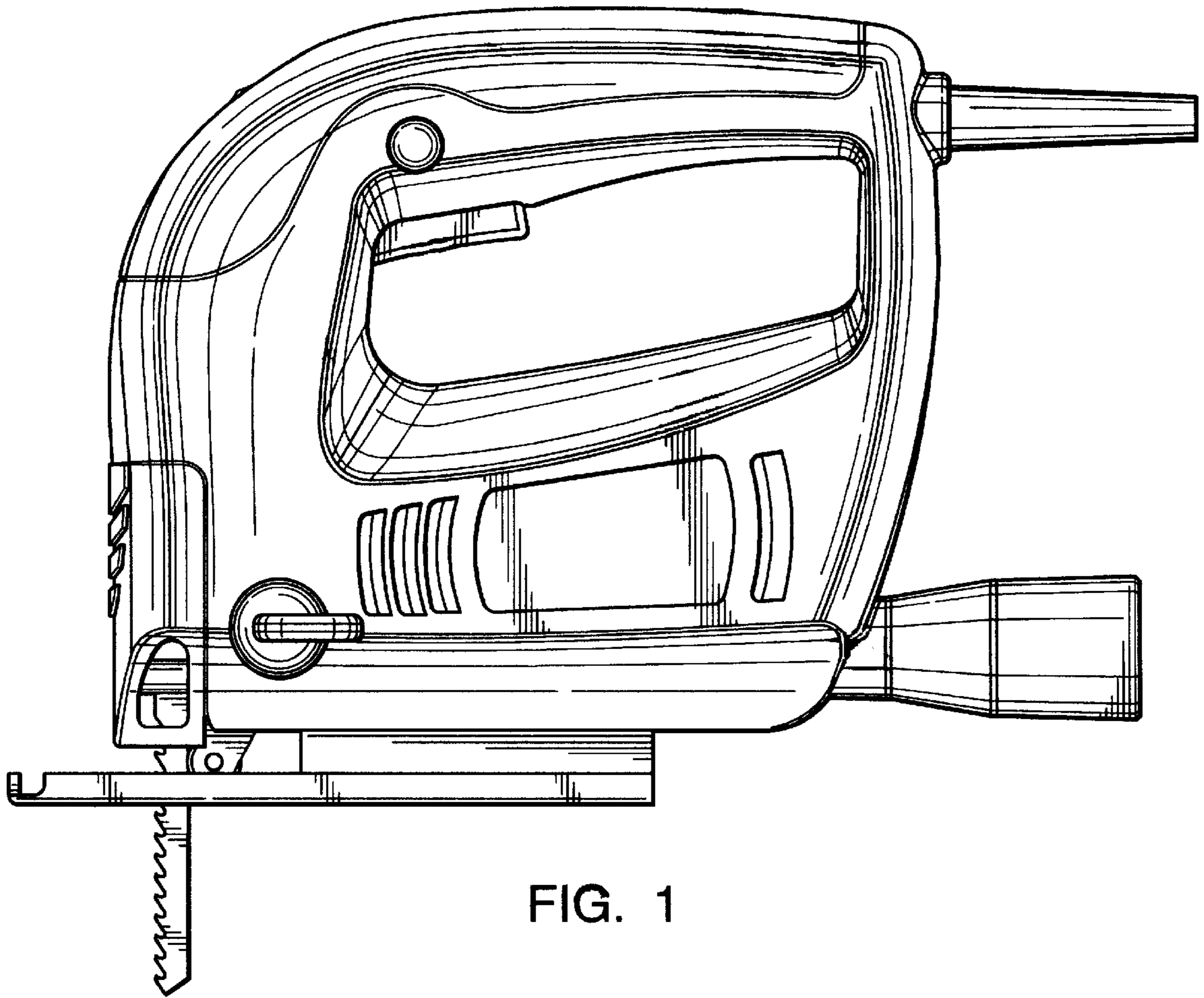


FIG. 1

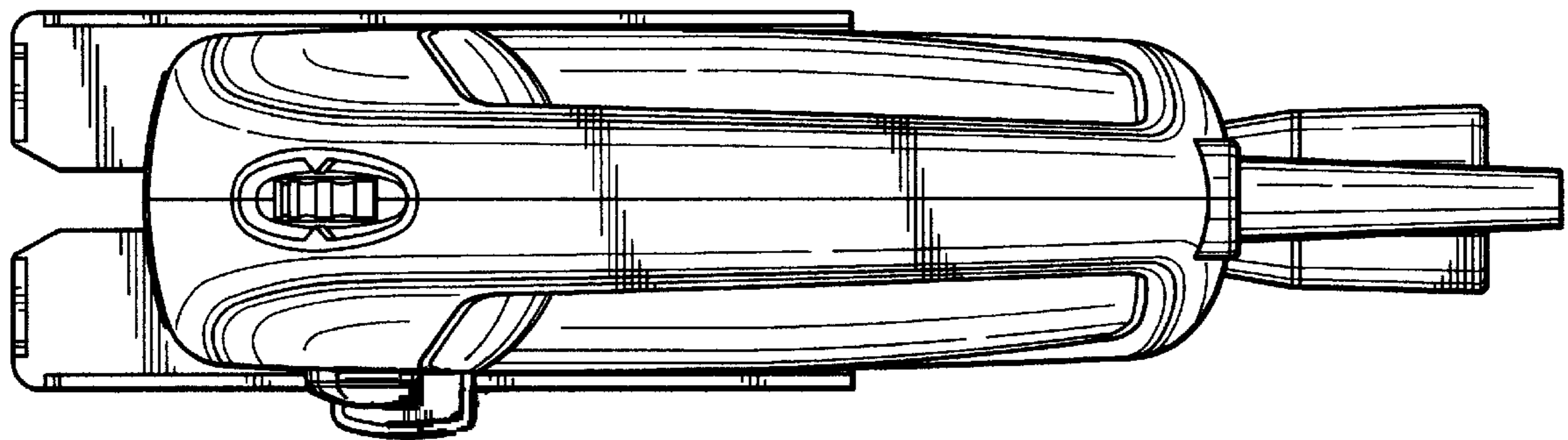


FIG. 2

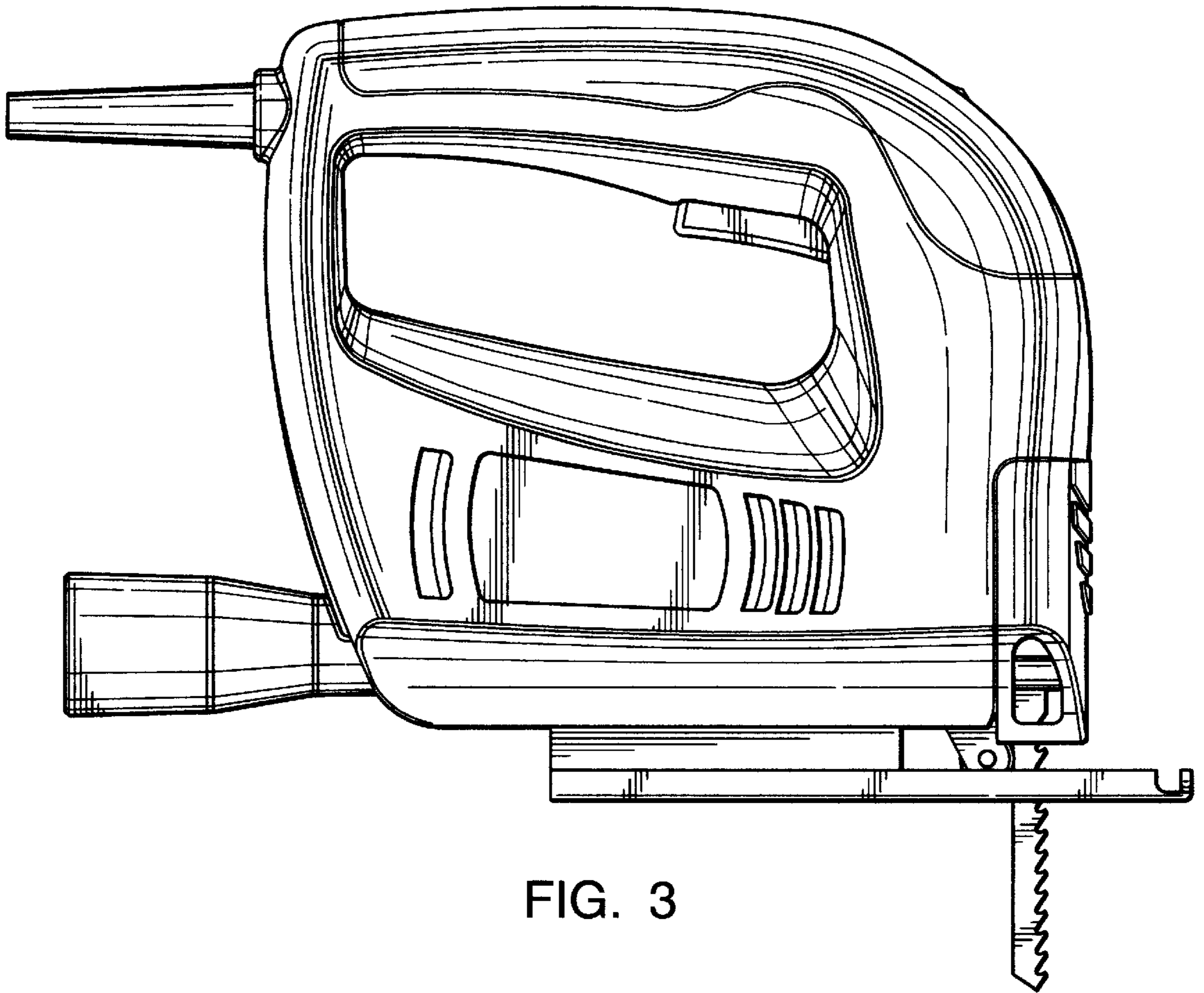


FIG. 3

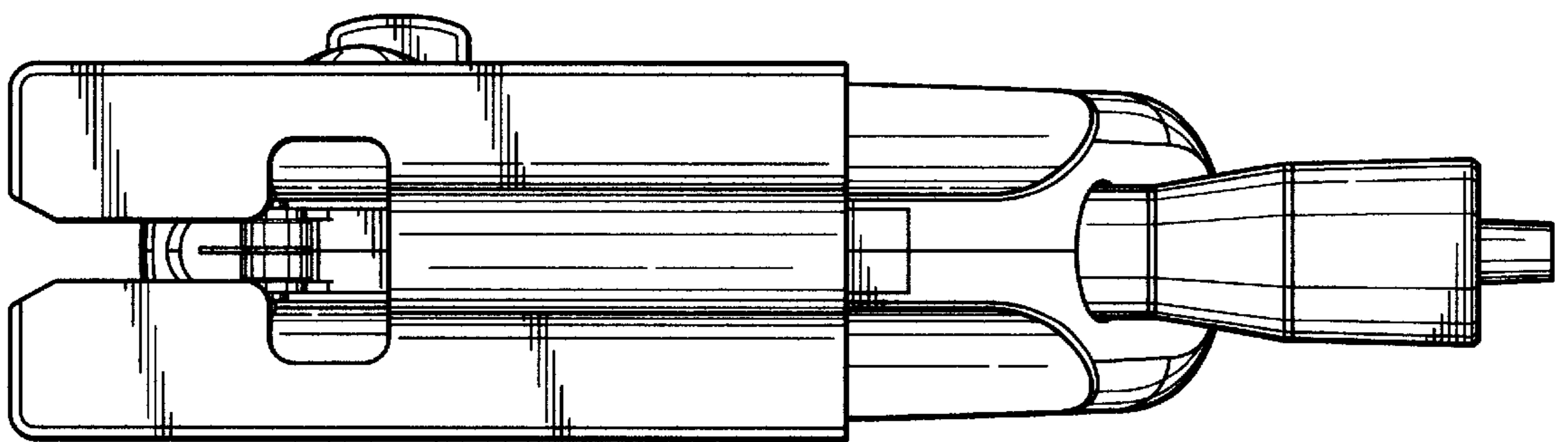


FIG. 4

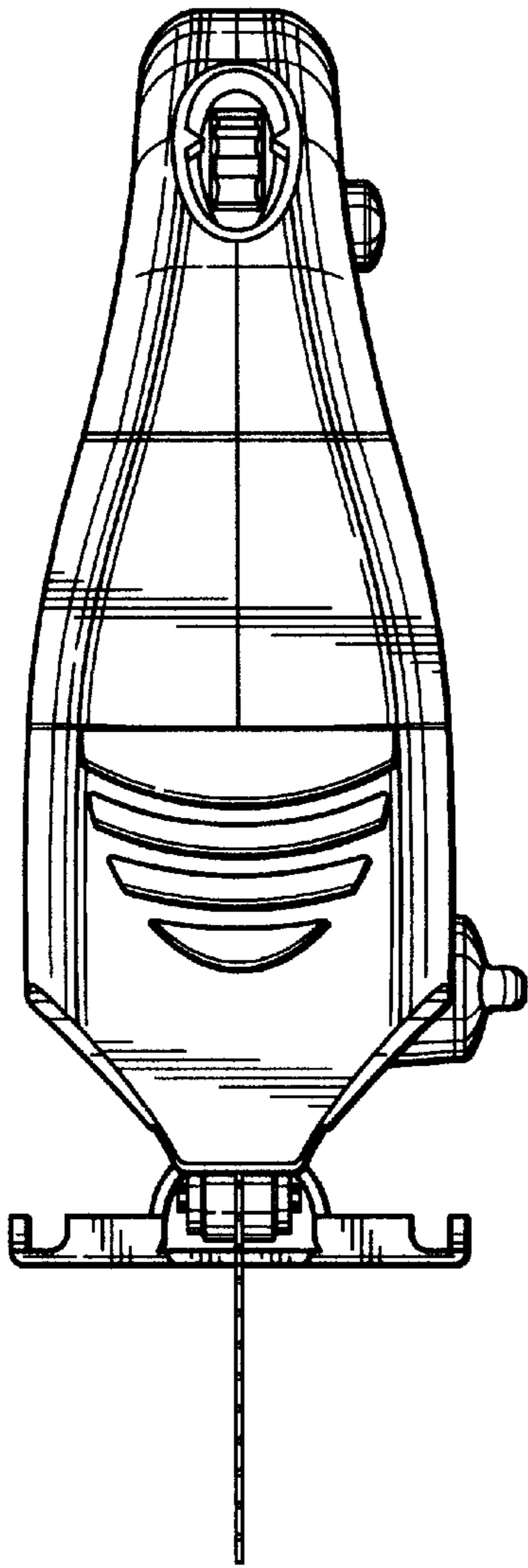


FIG. 5

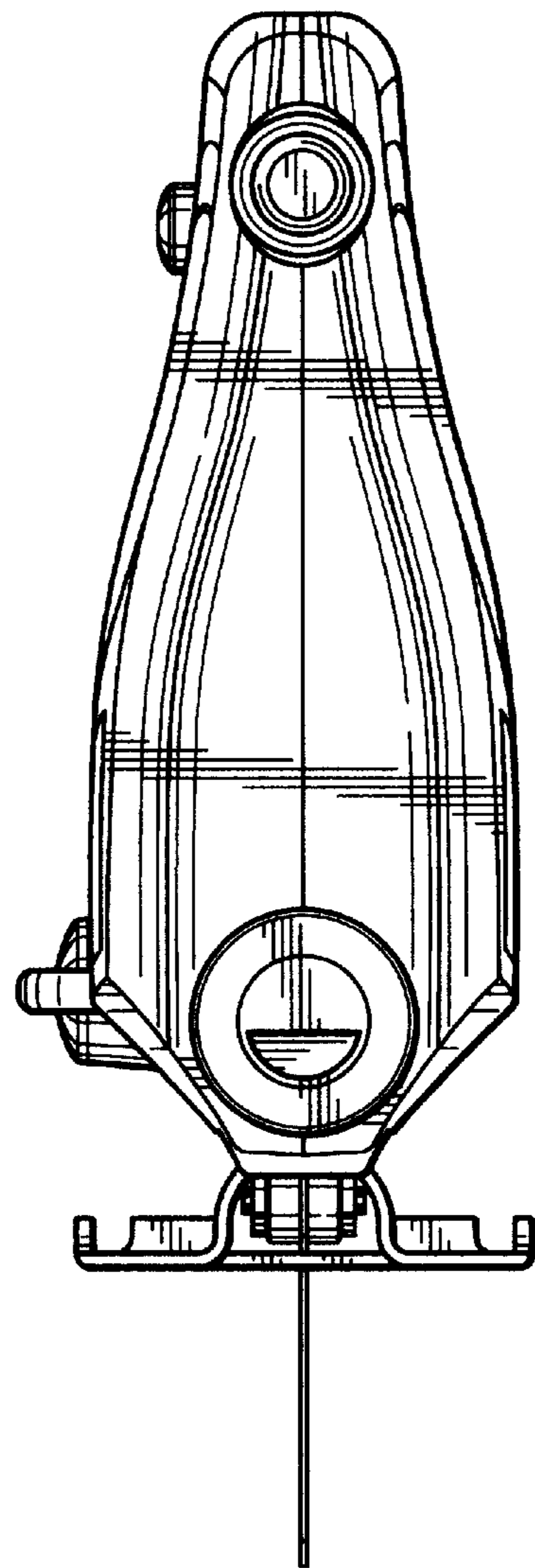


FIG. 6