



US00D414091S

United States Patent [19] Rellinger

[11] **Patent Number: Des. 414,091**

[45] **Date of Patent: ** Sep. 21, 1999**

[54] **STAPLER**

[75] Inventor: **Michael Rellinger**, Chicago, Ill.

[73] Assignee: **Quartet Manufacturing Co.**, Skokie, Ill.

[**] Term: **14 Years**

[21] Appl. No.: **29/093,888**

[22] Filed: **Sep. 21, 1998**

[51] **LOC (6) Cl.** **19-02**

[52] **U.S. Cl.** **D8/50; D19/72**

[58] **Field of Search** D8/49, 50, 61,
D8/69; D19/65, 72; 227/127, 128, 132,
134, 156, 120

[56] **References Cited**

U.S. PATENT DOCUMENTS

D. 164,375 8/1951 Marano D8/50
D. 233,306 10/1974 Power D8/50

D. 331,178 11/1992 Bain et al. D8/50
2,920,324 1/1960 Kufel, Jr. et al. 227/128
4,463,890 8/1984 Ruskin 227/132

Primary Examiner—Adir Aronovich
Attorney, Agent, or Firm—Faier & Faier P.C.; Martin Faier

[57] **CLAIM**

The ornamental design for a stapler, as shown and described.

DESCRIPTION

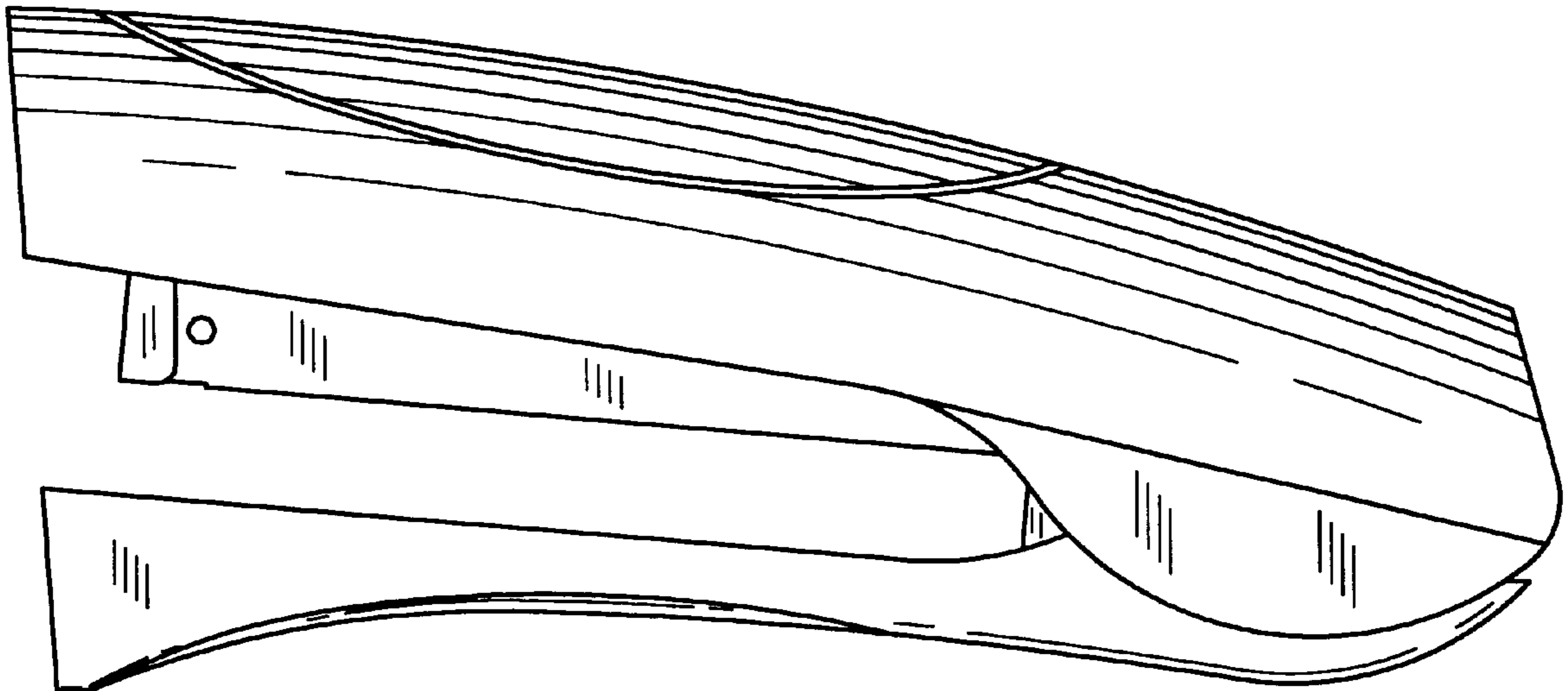
FIG. 1 is a side view of a stapler embodying my invention, the undisclosed opposite side being a mirror image thereof. FIG. 2 is a front elevational view of the stapler embodying the invention.

FIG. 3 is a rear elevational view of the stapler embodying the invention.

FIG. 4 is a top view of the stapler embodying the invention; and,

FIG. 5 is an bottom view of the stapler embodying the invention.

1 Claim, 1 Drawing Sheet



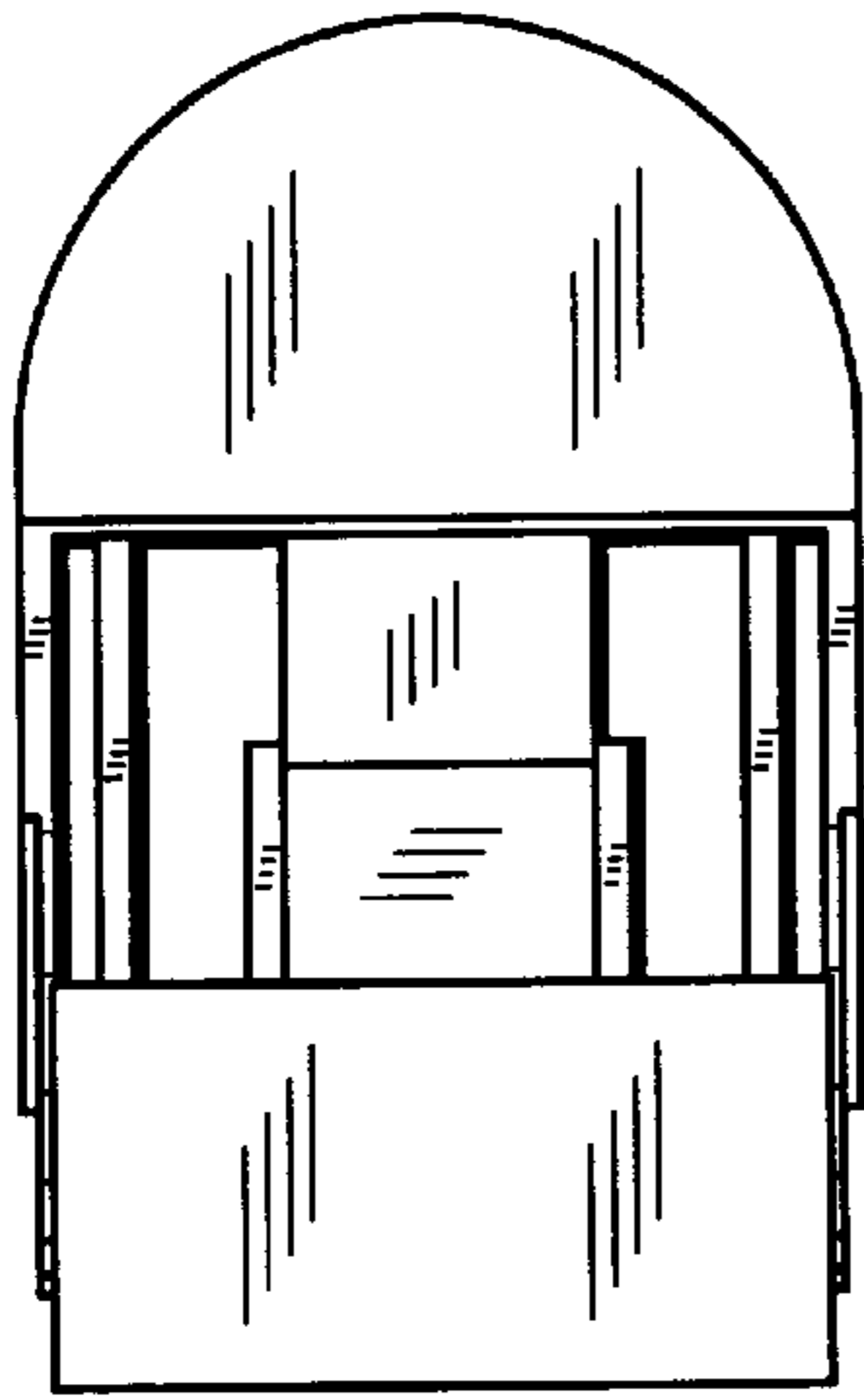
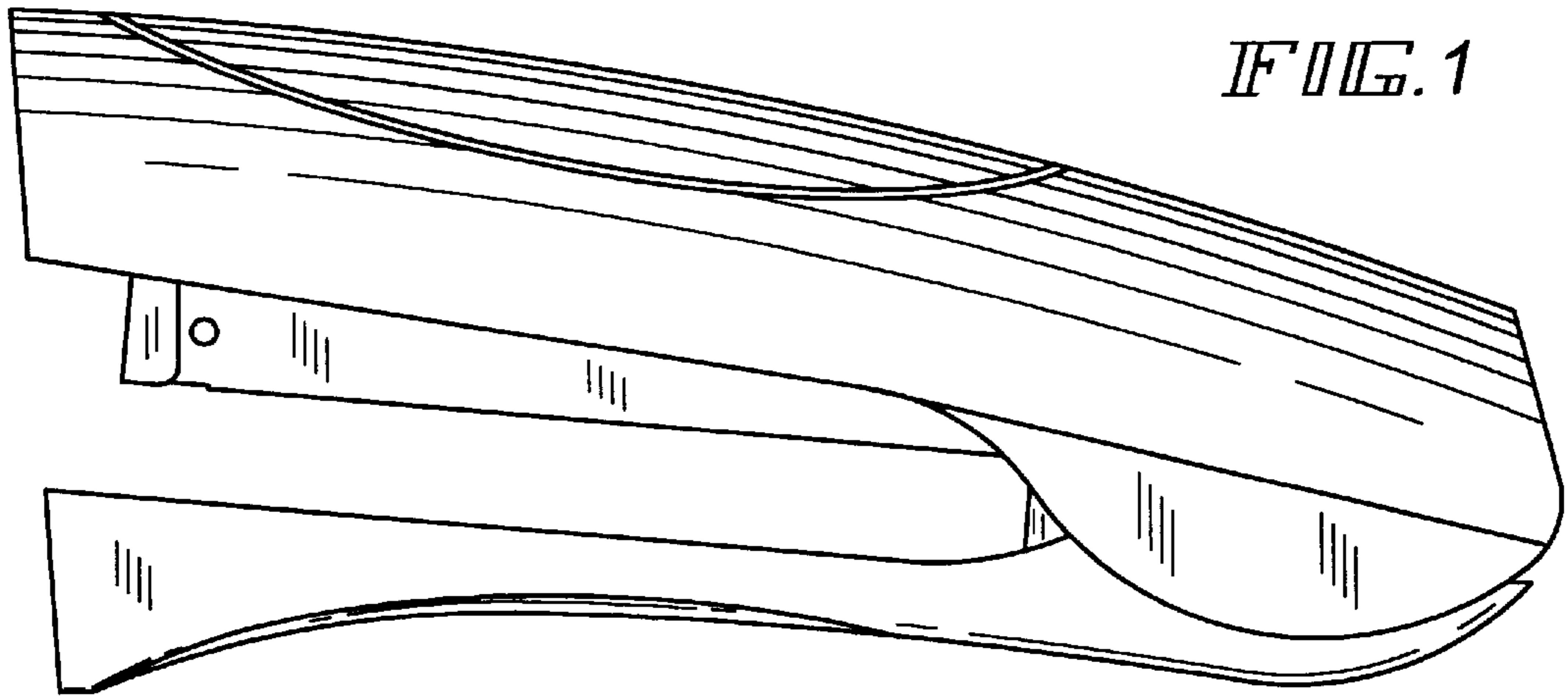


FIG. 2

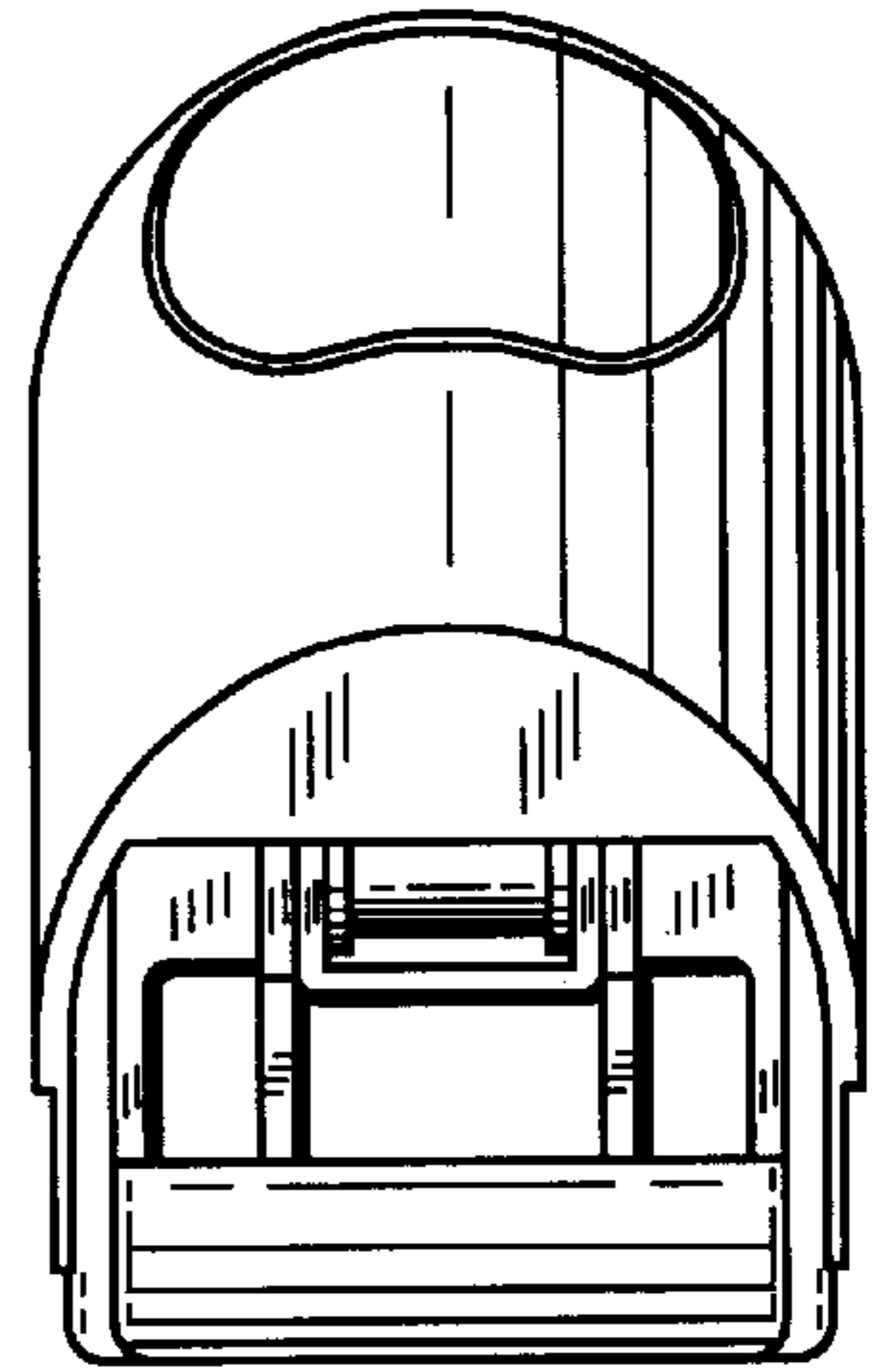


FIG. 3

FIG. 4

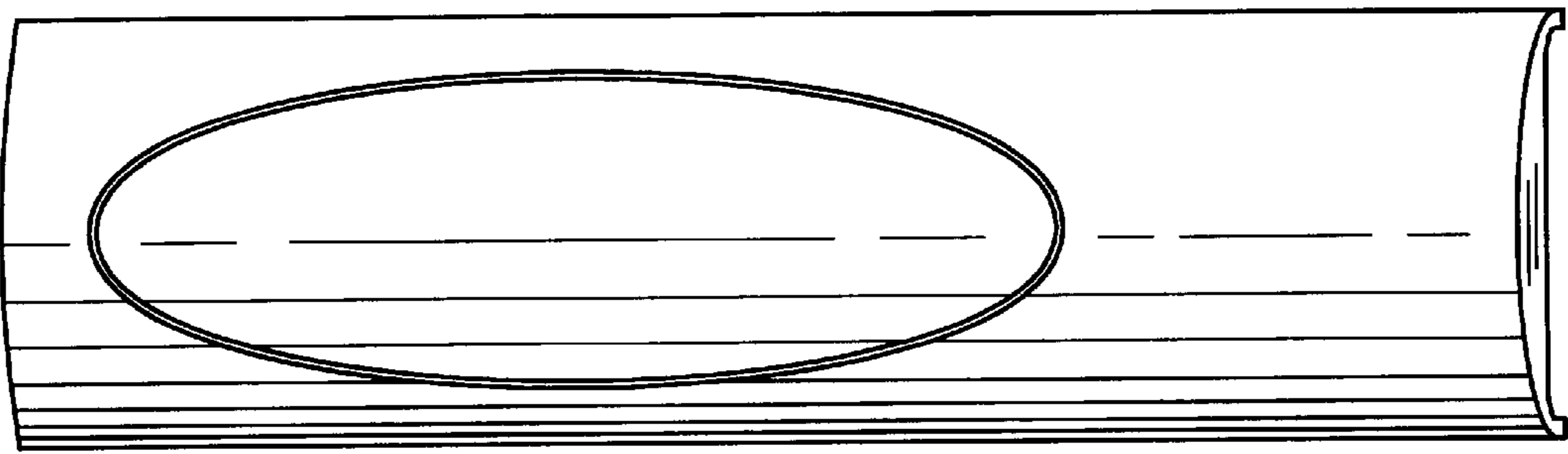


FIG. 5

