



US00D414088S

# United States Patent [19]

Juratovac et al.

[11] Patent Number: Des. 414,088

[45] Date of Patent: \*\* Sep. 21, 1999

[54] HANDLE HOUSING FOR A BATTERY POWERED STRING TRIMMER

[75] Inventors: Joseph A. Juratovac; R. Reade Harpham, both of Columbus, Ohio

[73] Assignee: McCulloch Corporation, Tucson, Ariz.

[\*\*] Term: 14 Years

[21] Appl. No.: 29/074,013

[22] Filed: Jul. 23, 1997

[51] LOC (6) Cl. 08-01

[52] U.S. Cl. D8/8

[58] Field of Search D8/8; 56/12.7; 30/276

### [56] References Cited

#### U.S. PATENT DOCUMENTS

D. 251,699	5/1979	Averitt	D8/8
D. 255,764	7/1980	Lombard	D8/8
D. 256,769	9/1980	Irelan	D8/8
D. 301,009	5/1989	Pilatowicz et al.	D8/7
D. 305,198	12/1989	White et al.	D8/8
D. 307,860	5/1990	Ellis	D8/8
D. 317,852	7/1991	Fujiwara et al.	D8/8
D. 320,398	10/1991	Clivio	D15/16
D. 343,554	1/1994	Watanabe et al.	D8/8
D. 349,221	8/1994	Griffin	D8/8
D. 367,595	3/1996	Dahlberg et al.	D8/8
D. 368,005	3/1996	Lemcke	D8/8
D. 380,129	6/1997	Meisner et al.	D8/8

D. 380,359	7/1997	Meisner et al.	D8/8
D. 382,778	8/1997	Mei	D8/8
4,188,719	2/1980	Hoff	30/122
4,651,422	3/1987	Everts	30/347
4,860,451	8/1989	Pilatowicz et al.	30/276
5,181,369	1/1993	Everts	56/12.7

Primary Examiner—Holly Baynham  
Attorney, Agent, or Firm—Marshall, O’Toole, Gerstein, Murray & Borun

### [57] CLAIM

The ornamental design for a handle housing for a battery powered string trimmer, as shown and described.

### DESCRIPTION

FIG. 1 comprises a perspective view, taken from the left and from the front, of one embodiment of a handle housing for a battery powered string trimmer according to the present invention;

FIG. 2 is a perspective view taken from the right and from the rear thereof;

FIG. 3 is a top plan view thereof;

FIG. 4 is a left elevational view thereof;

FIG. 5 is a bottom elevational view thereof;

FIG. 6 is a front elevational view thereof;

FIG. 7 is a rear elevational view thereof; and,

FIG. 8 is a right elevational view thereof.

The broken line showing of a partial handle shaft is for illustrative purposes only and forms no part of the claimed design.

1 Claim, 3 Drawing Sheets

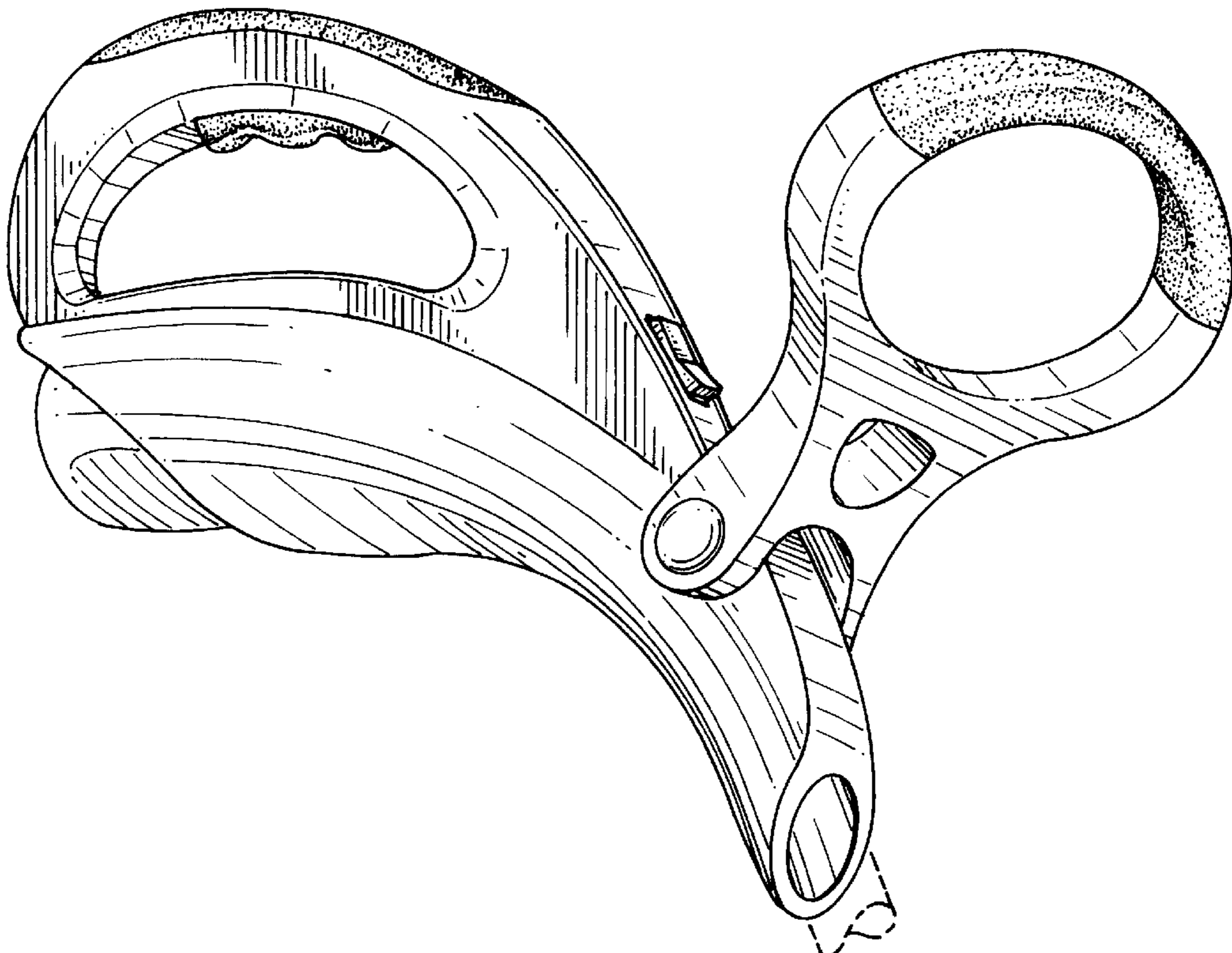


FIG. 1

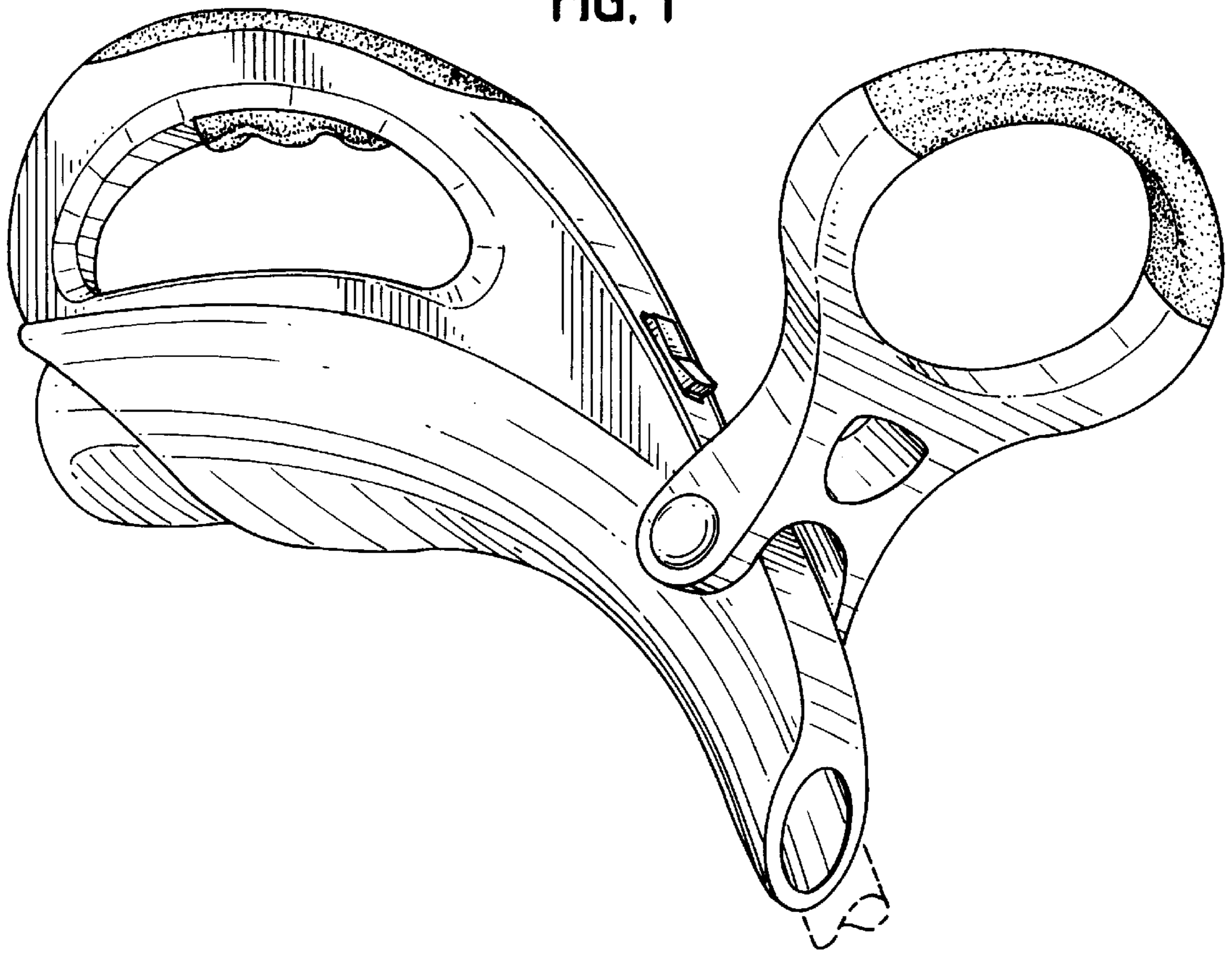


FIG. 2

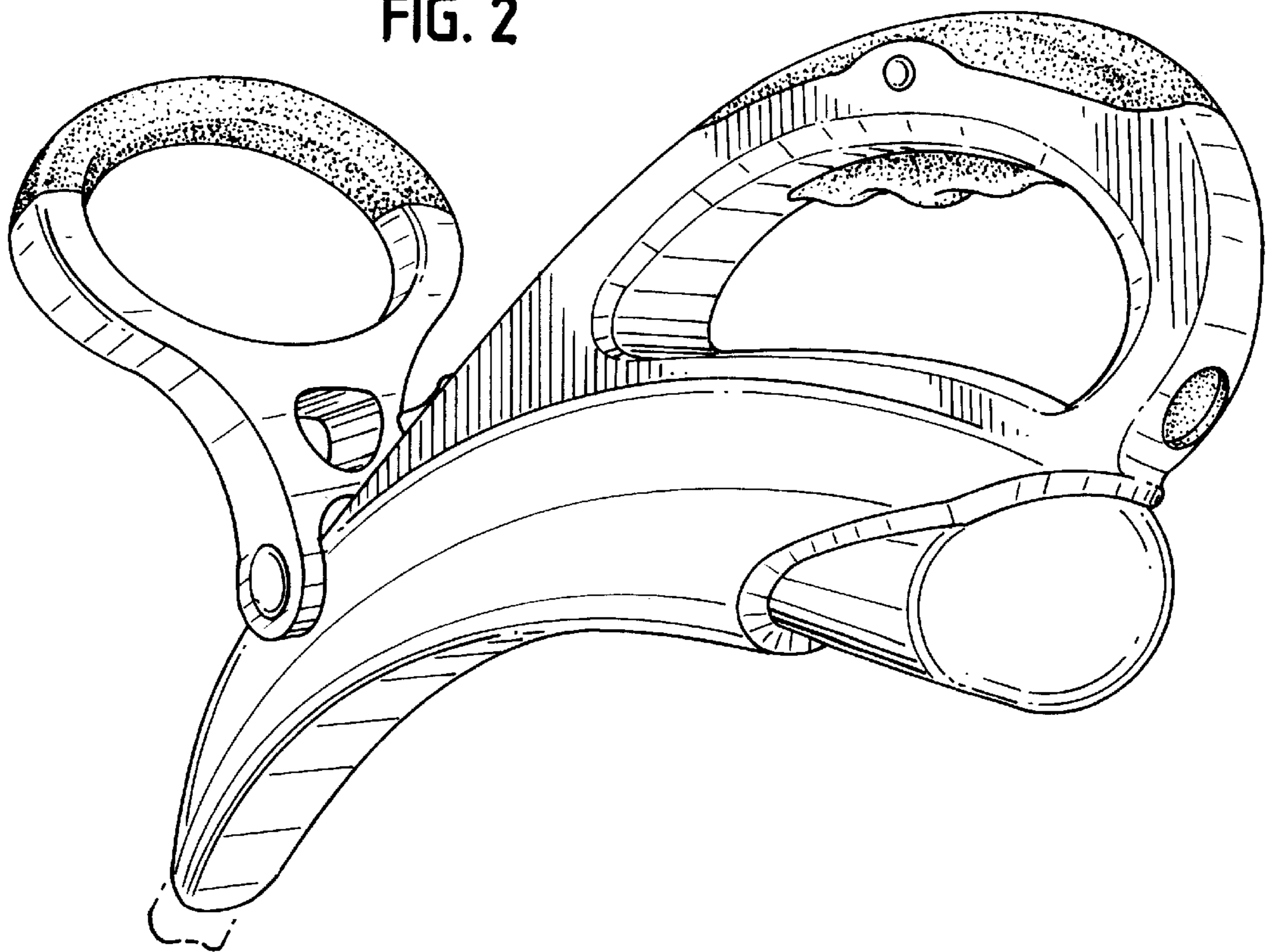


FIG. 3

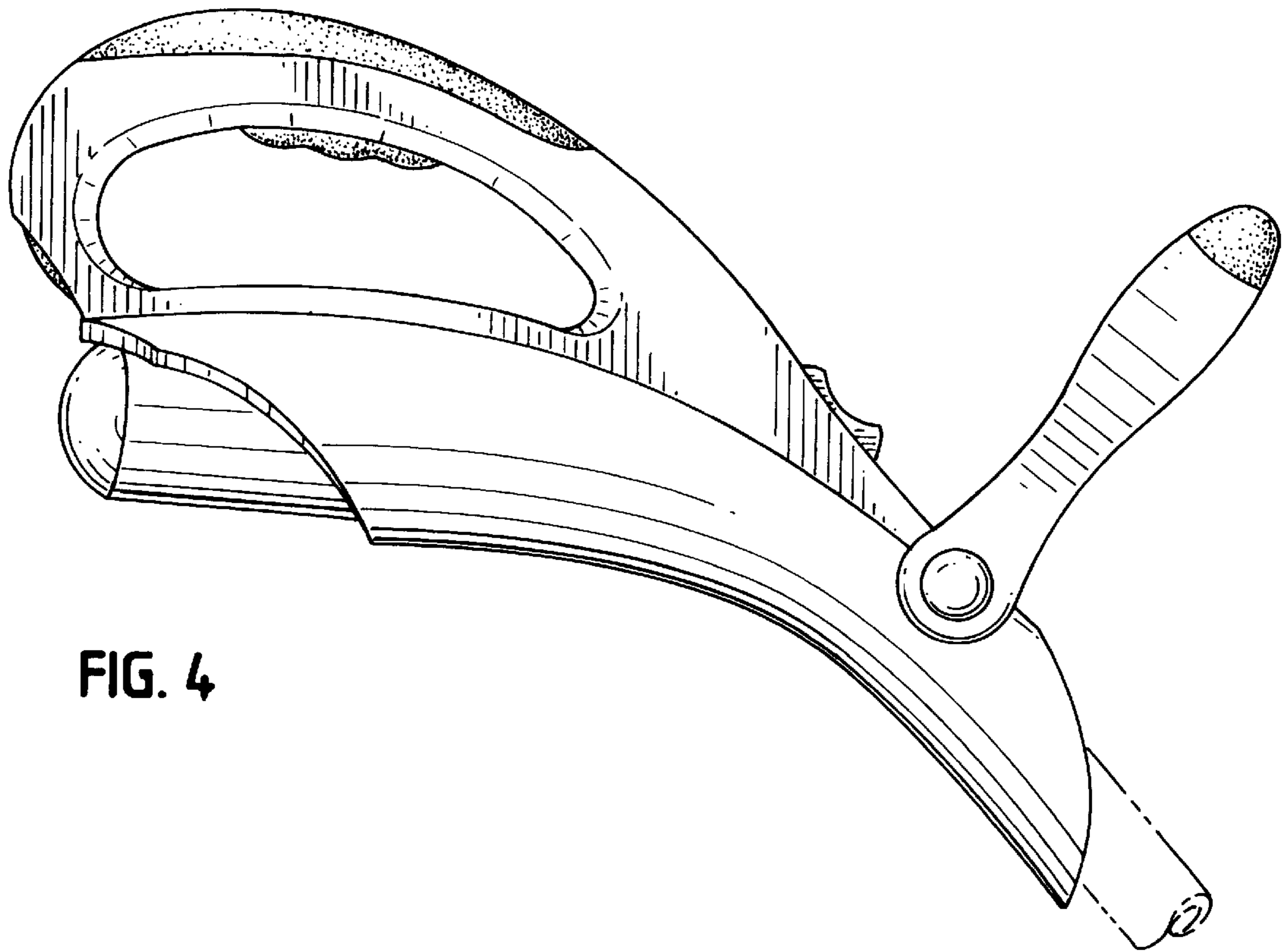
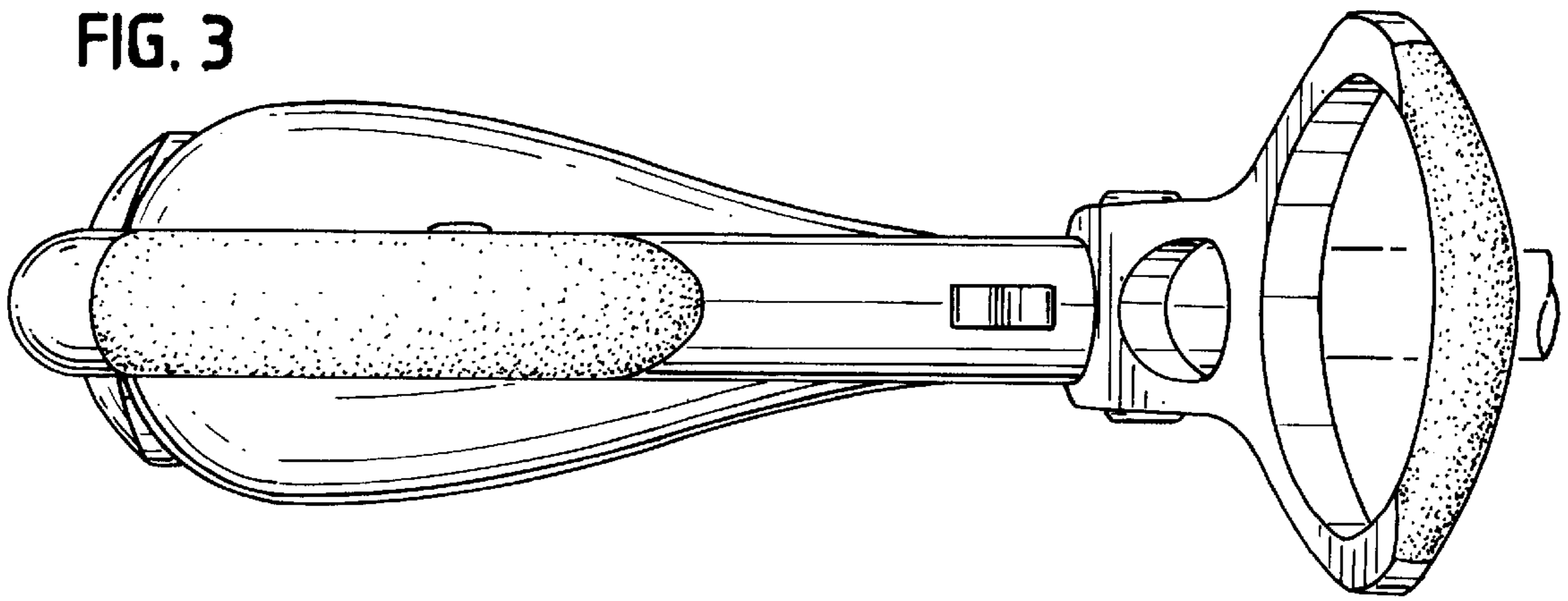


FIG. 4

FIG. 5

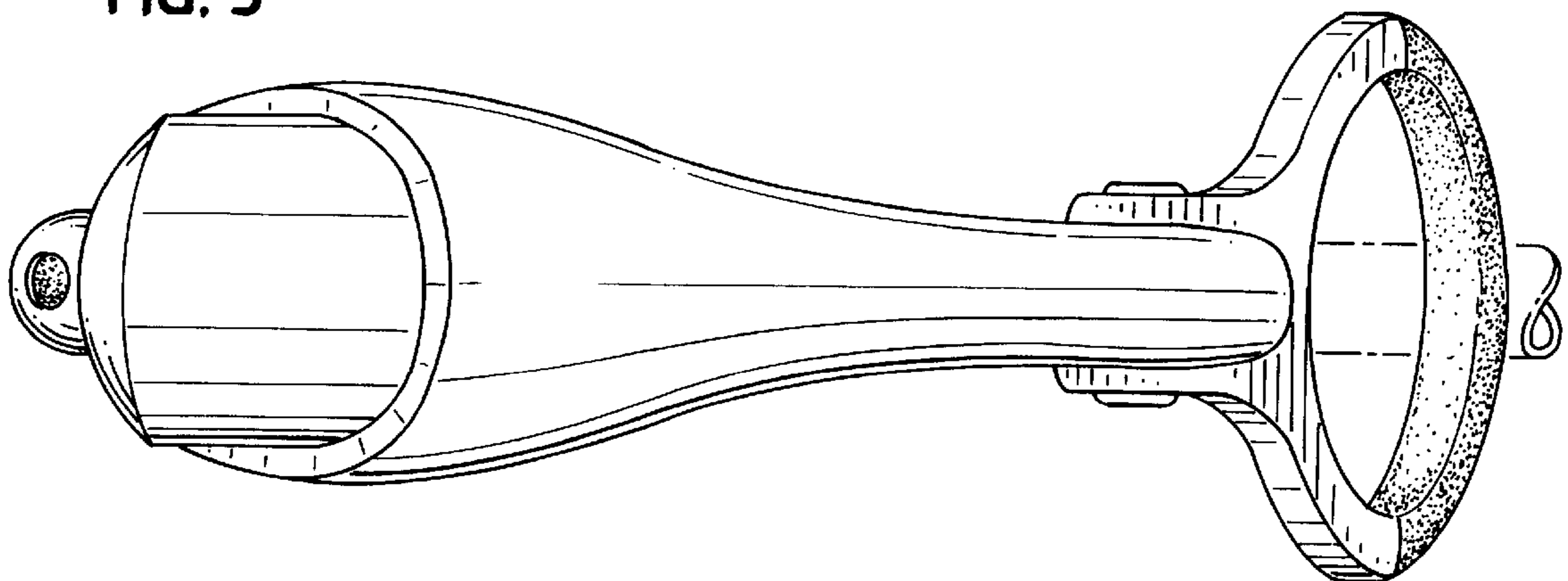


FIG. 6

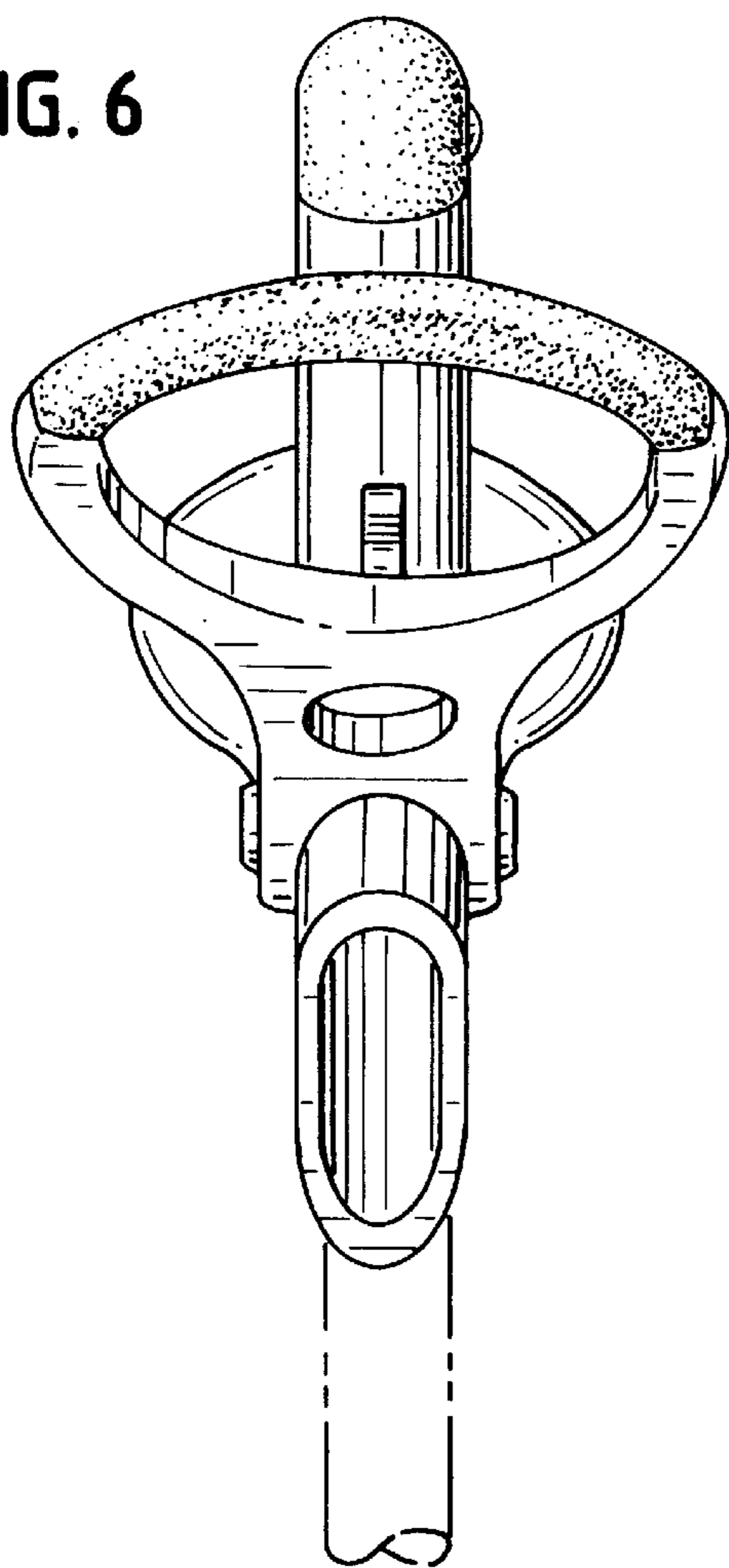


FIG. 7

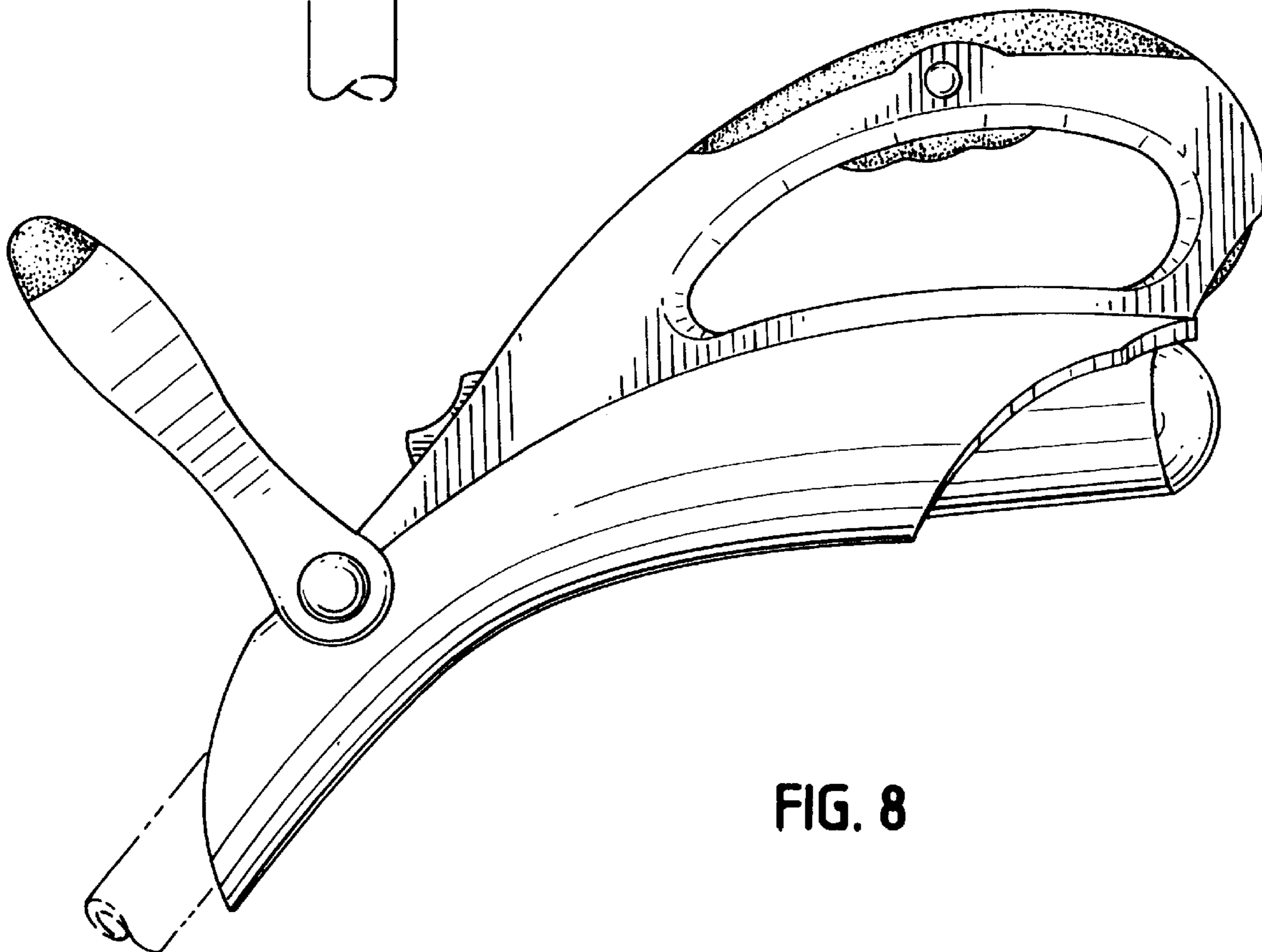
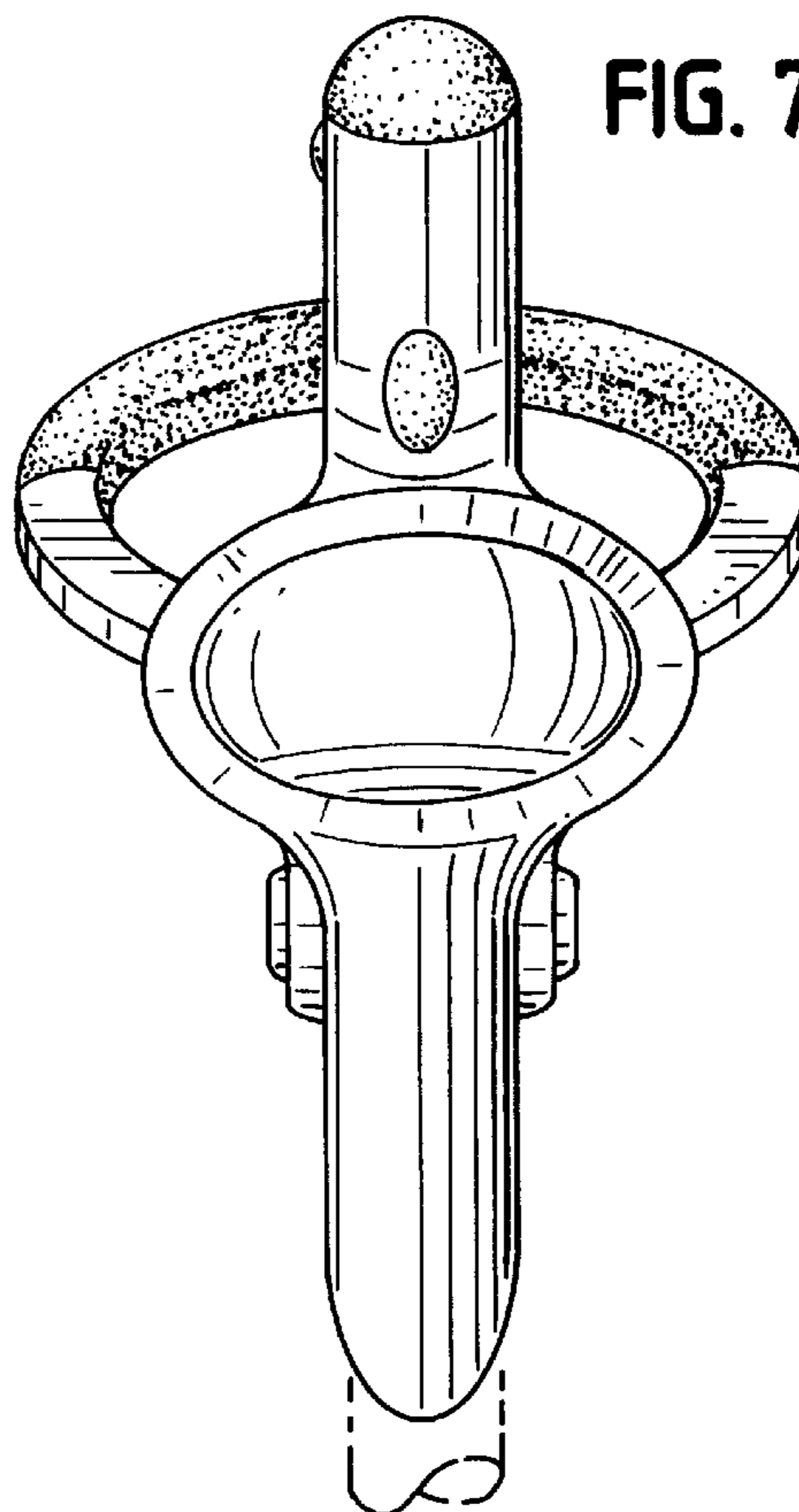


FIG. 8