



US00D414084S

United States Patent [19]
Schmidt

[11] **Patent Number: Des. 414,084**

[45] **Date of Patent: ** Sep. 21, 1999**

[54] **VACUUM SEALED BREAD BOX**

[75] Inventor: **George Schmidt**, Douglaston, N.Y.

[73] Assignee: **M. Kamenstein, Inc.**, Elmsford, N.Y.

[**] Term: **14 Years**

[21] Appl. No.: **29/085,136**

[22] Filed: **Mar. 17, 1998**

[51] **LOC (6) Cl.** **07-07**

[52] **U.S. Cl.** **D7/609**

[58] **Field of Search** D7/609, 629; 220/4.21,
220/252, 334, 558, DIG. 13; 312/284, 328

[56] **References Cited**

U.S. PATENT DOCUMENTS

- D. 339,934 10/1993 Reuter D7/609 X
- 2,736,452 2/1956 Roop 220/4.21
- 5,494,187 2/1996 Schuelein et al. D7/609 X

Primary Examiner—Mitchell I Siegel

Attorney, Agent, or Firm—Robert A. Koons, Jr.; James W. Bolcsak, Ph.D.

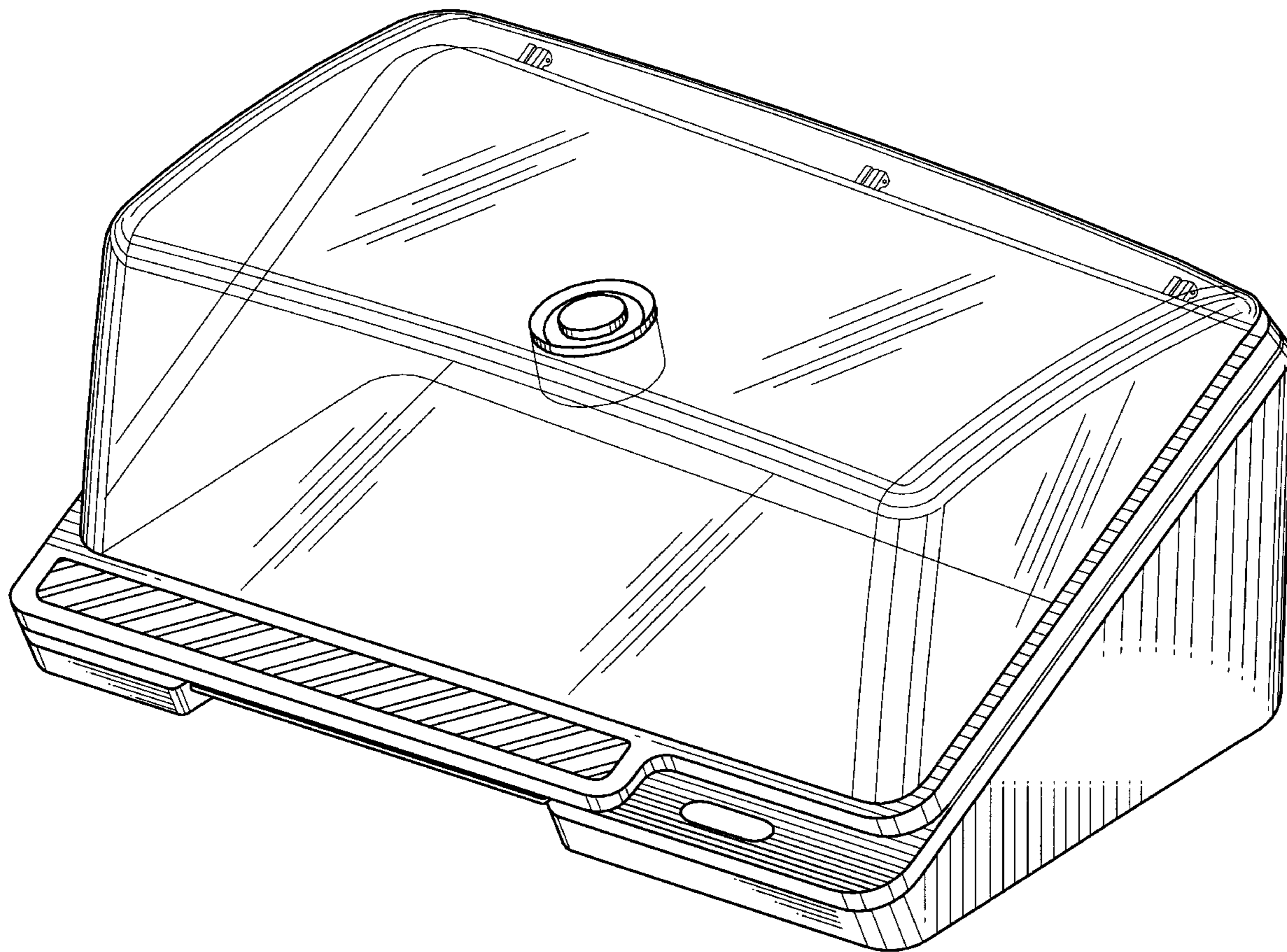
[57] **CLAIM**

The ornamental design for a vacuum sealed bread box, as shown and described.

DESCRIPTION

FIG. 1 is a perspective view of a vacuum sealed bread box showing my new design;
 FIG. 2 is a front elevational view of the vacuum sealed bread box;
 FIG. 3 is a rear elevational view of the vacuum sealed bread box;
 FIG. 4 is a top plan view of the vacuum sealed bread box;
 FIG. 5 is a right side elevational view of the vacuum sealed bread box;
 FIG. 6 is a left side elevational view of the vacuum sealed bread box; and,
 FIG. 7 is a bottom plan view of the vacuum sealed bread box.

1 Claim, 7 Drawing Sheets



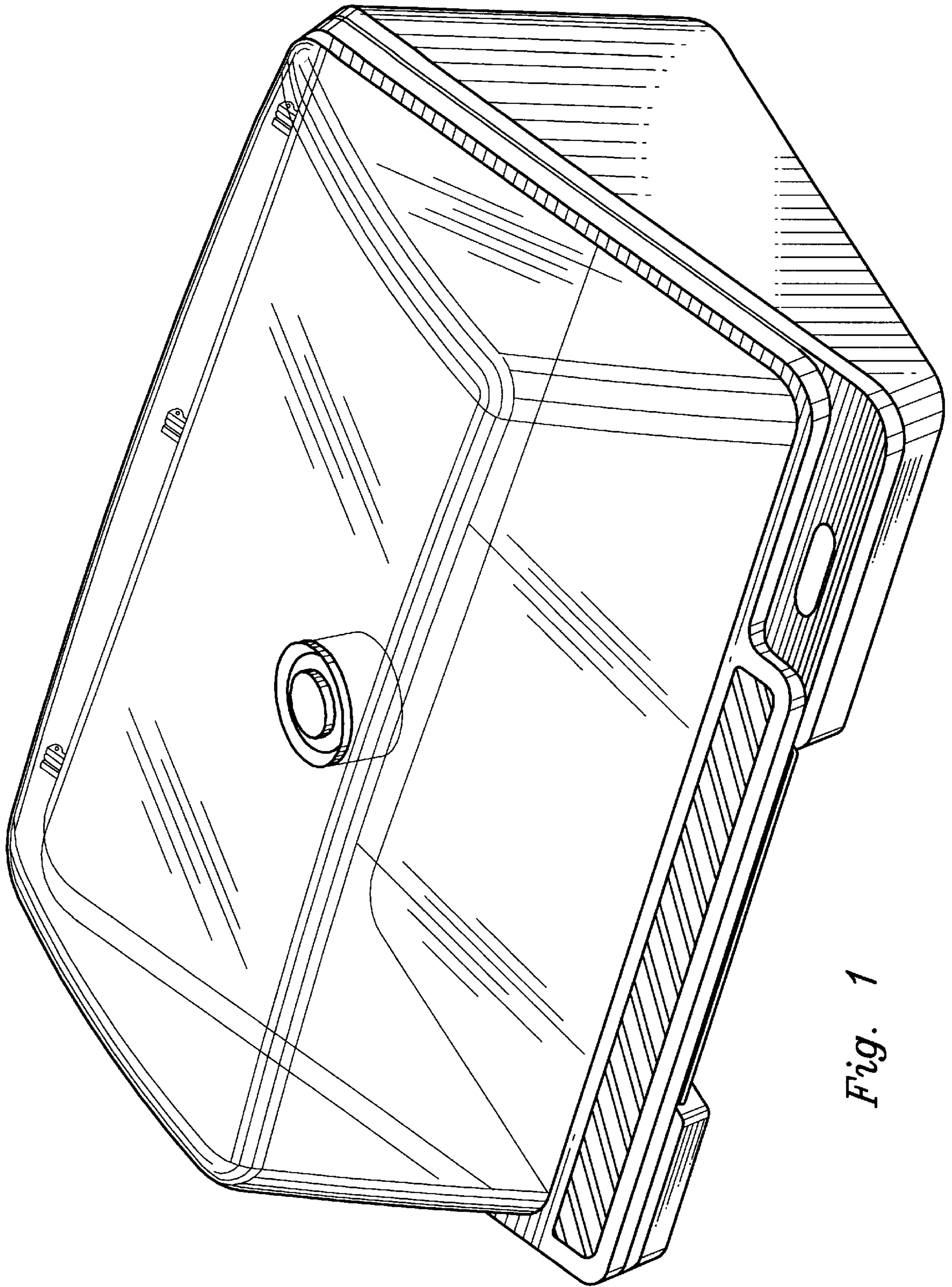


Fig. 1

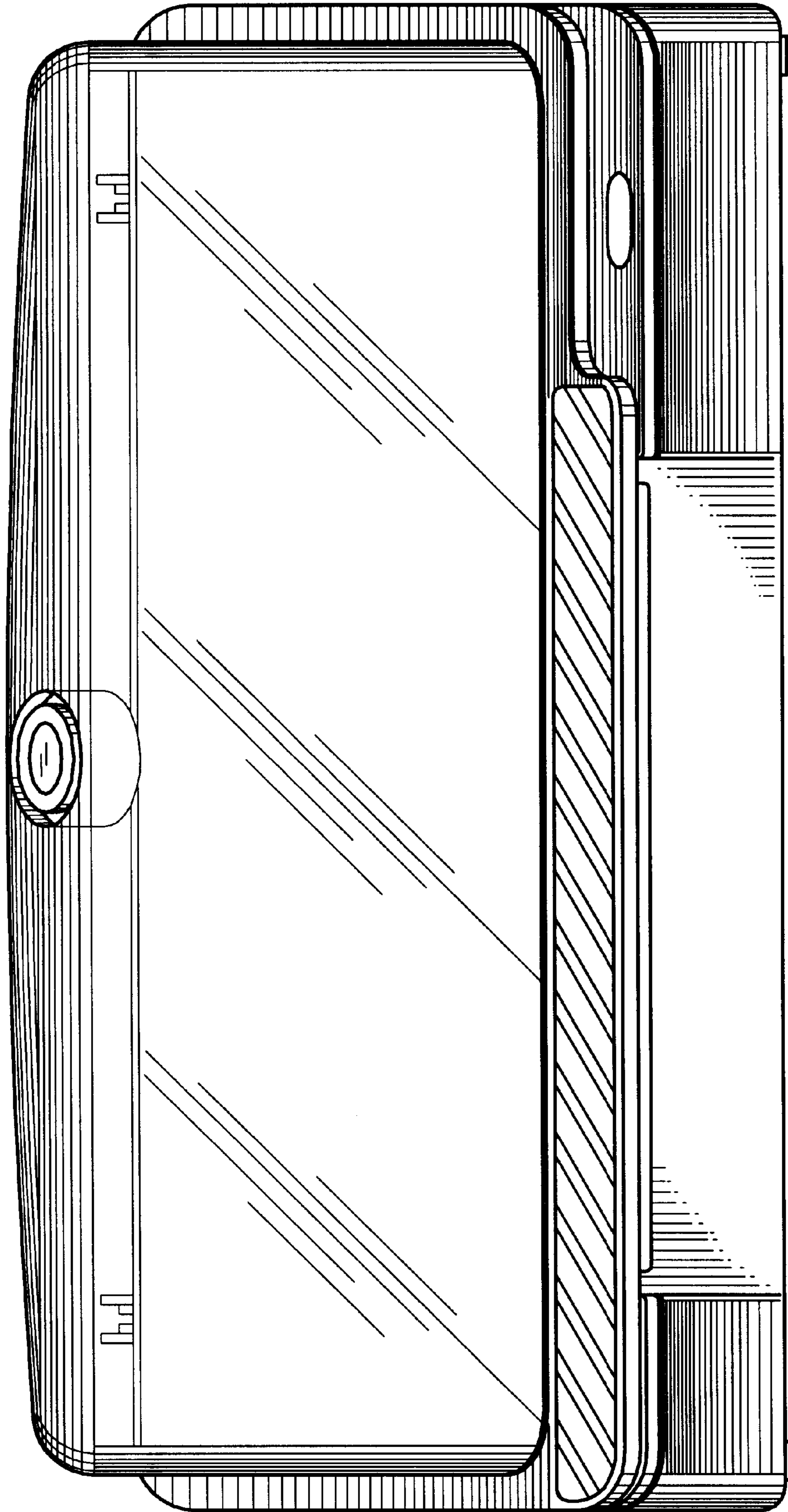


Fig. 2

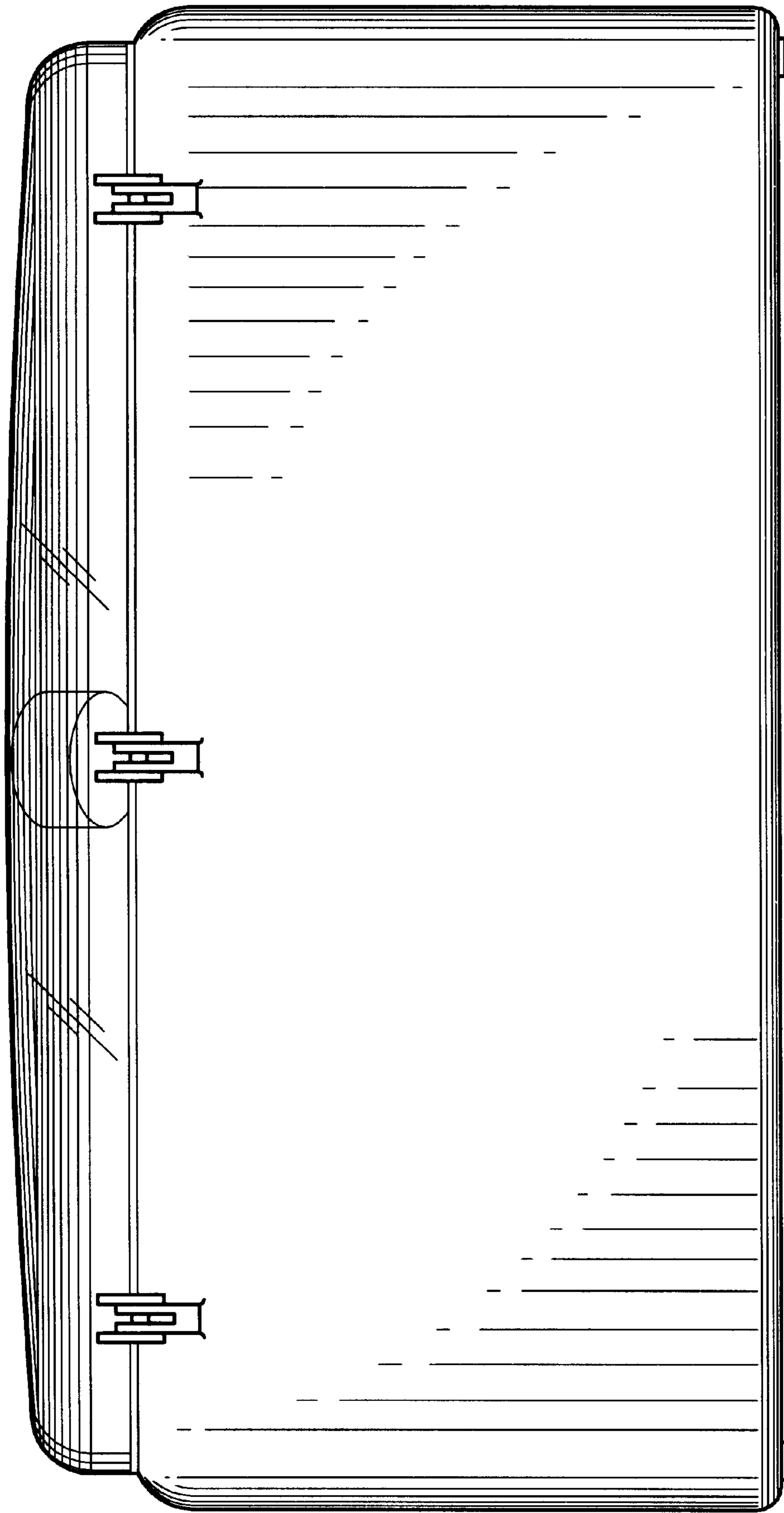


Fig. 3

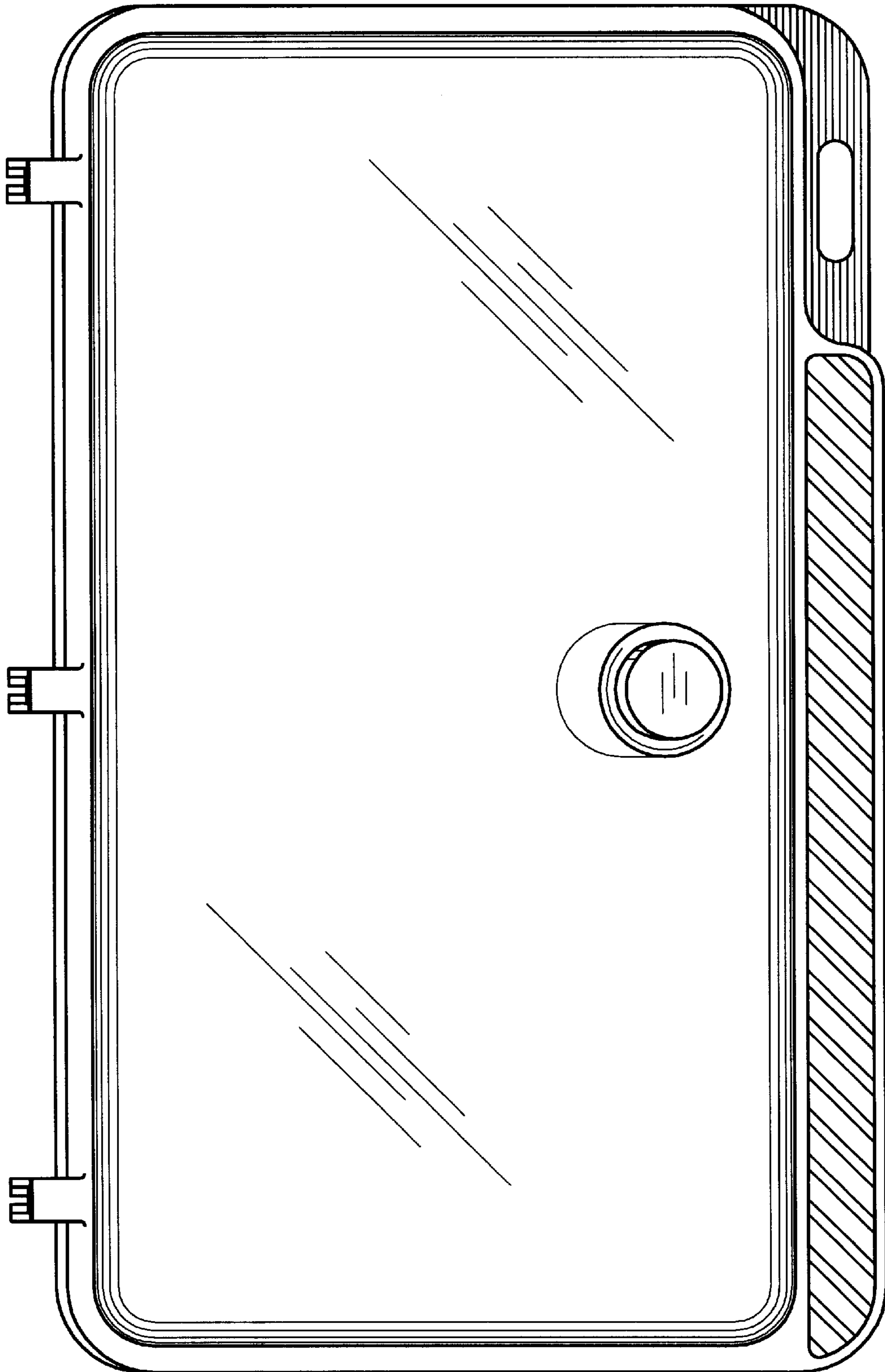


Fig. 4

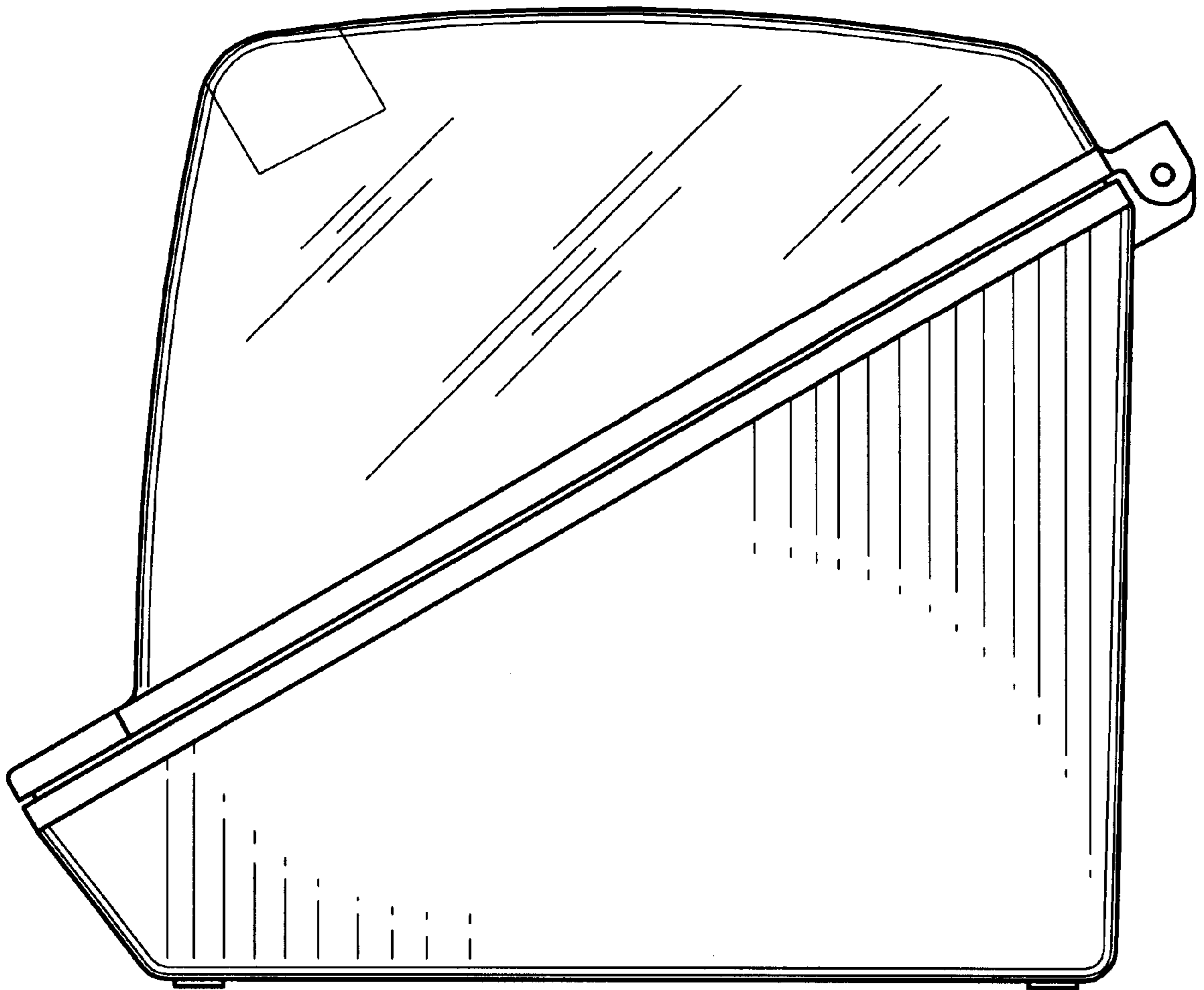


Fig. 5

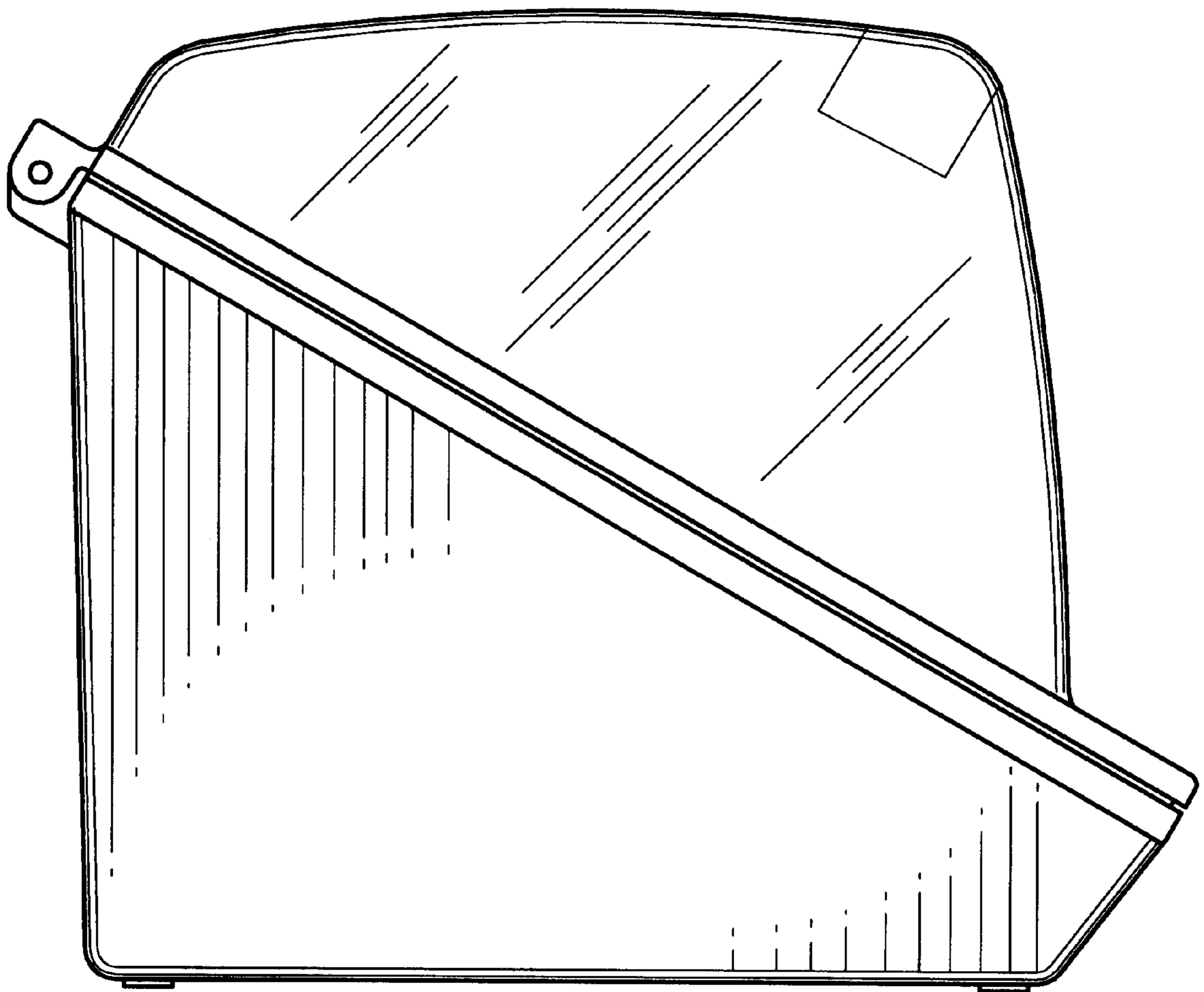


Fig. 6

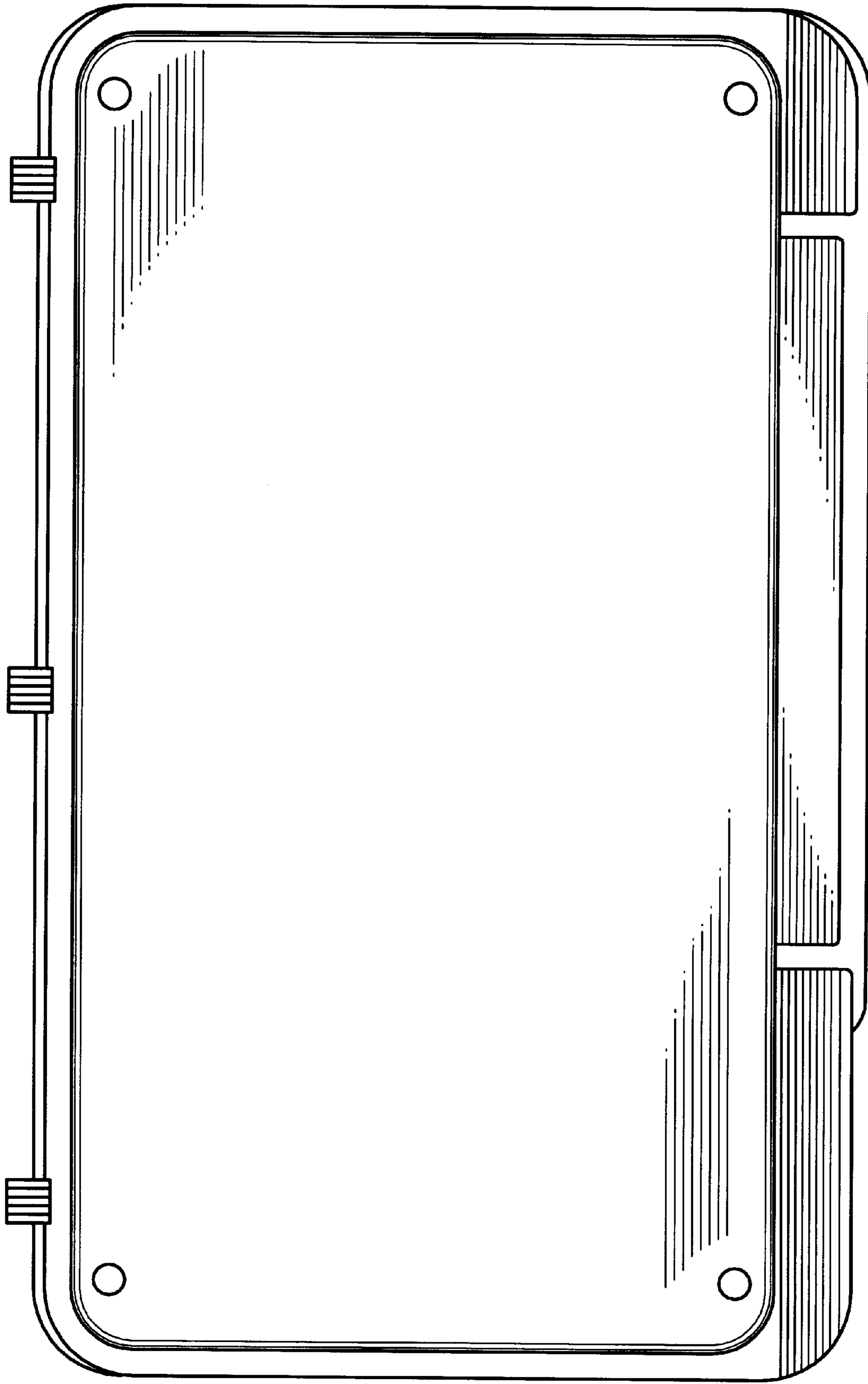


Fig. 7