



US00D414082S

United States Patent [19]
Keene

[11] **Patent Number: Des. 414,082**

[45] **Date of Patent: ** Sep. 21, 1999**

[54] **INSULATED BEVERAGE CARRIER**

4,838,709 6/1989 Guerriero et al. 150/107 X
5,117,883 6/1992 Chen 190/903 X
5,219,423 6/1993 Kamaya 190/903 X

[75] Inventor: **Robert B. Keene**, Nashville, Tenn.

[73] Assignee: **KCM Enterprises, Inc.**, Nashville, Tenn.

Primary Examiner—Sandra L. Morris
Attorney, Agent, or Firm—I. C. Waddey, Jr.; Waddey & Patterson

[**] Term: **14 Years**

[21] Appl. No.: **29/038,395**

[57] **CLAIM**

[22] Filed: **May 4, 1995**

I claim the ornamental design for an “insulated beverage carrier,” as shown.

[51] **LOC (6) Cl.** **07-01**

DESCRIPTION

[52] **U.S. Cl.** **D7/607**; D3/246; D3/289

[58] **Field of Search** D7/605–608; D3/201–203, D3/206, 213–14, 232–33, 234, 240, 245–46, 254, 270–71, 273, 276, 289, 301; 150/100, 103–8, 111; 62/457.1, 457.7; 190/903; 206/8; 383/4, 907

FIG. 1 is a perspective view of an insulated beverage carrier, showing my new design;

FIG. 2 is a top view thereof;

FIG. 3 is a front elevational view thereof; and,

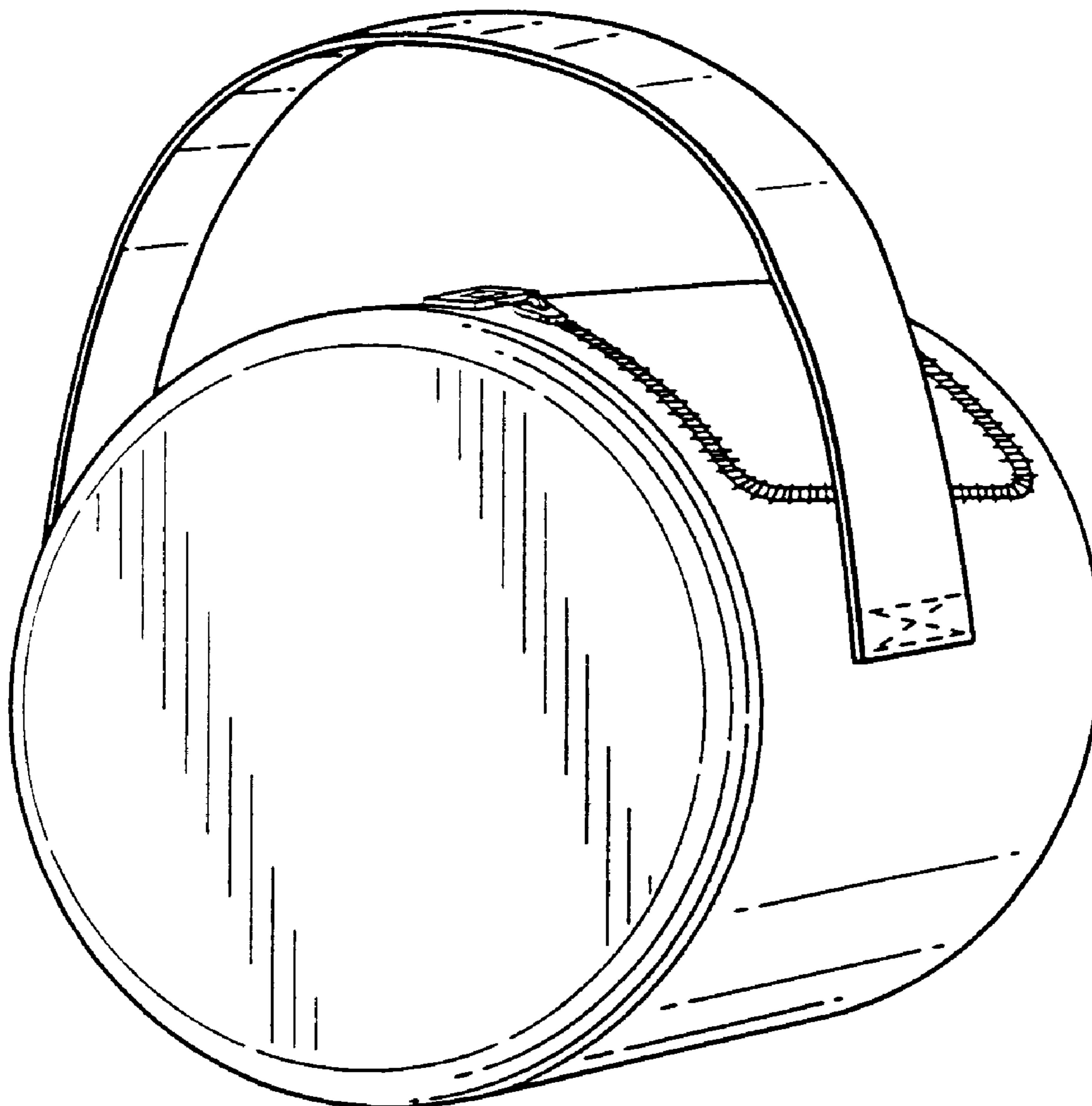
FIG. 4 is a side elevational view thereof, the opposite side being a mirror image.

[56] **References Cited**

U.S. PATENT DOCUMENTS

1,734,587 11/1929 Lowe D3/289 X

1 Claim, 1 Drawing Sheet



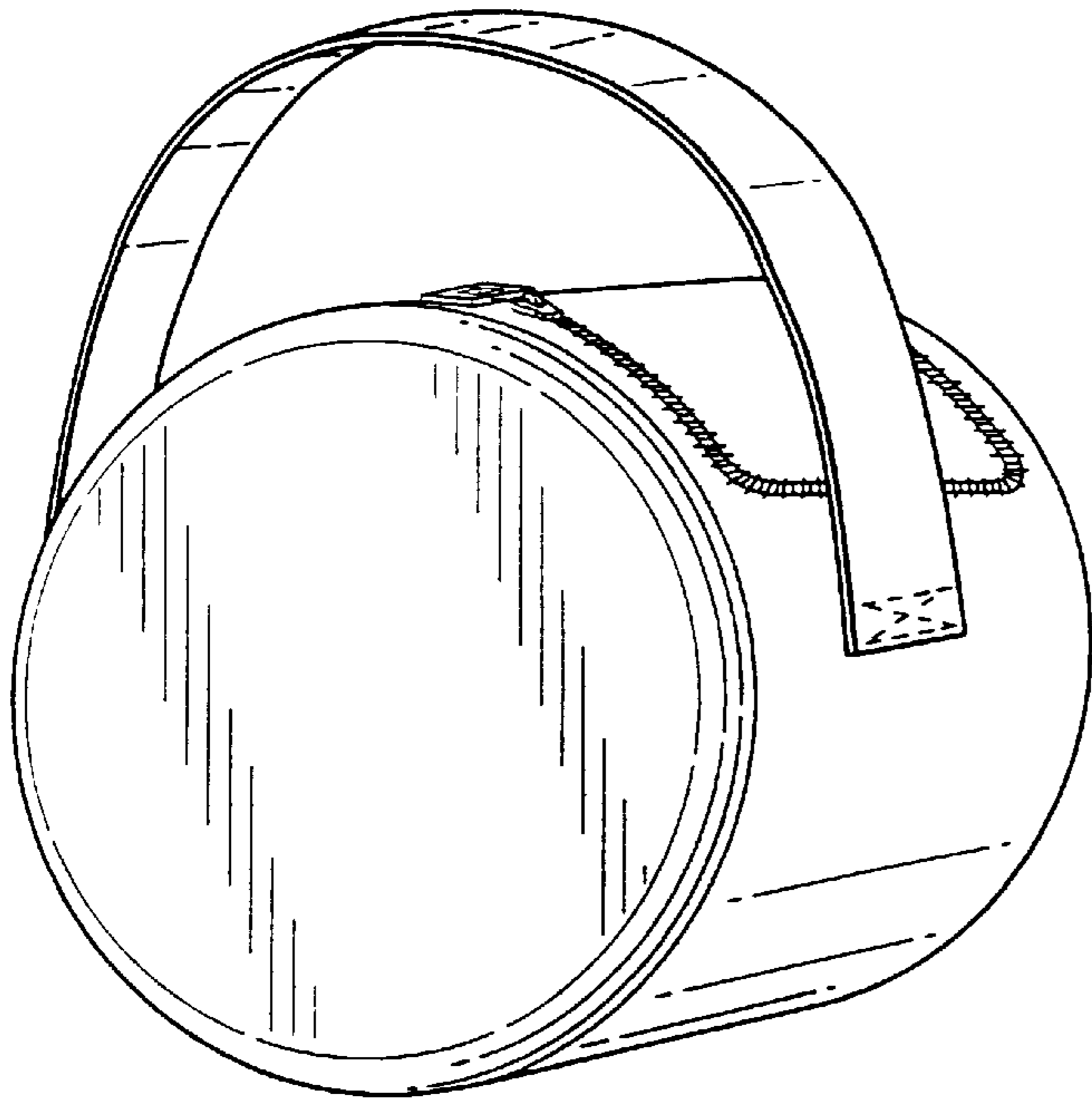


FIG. 1

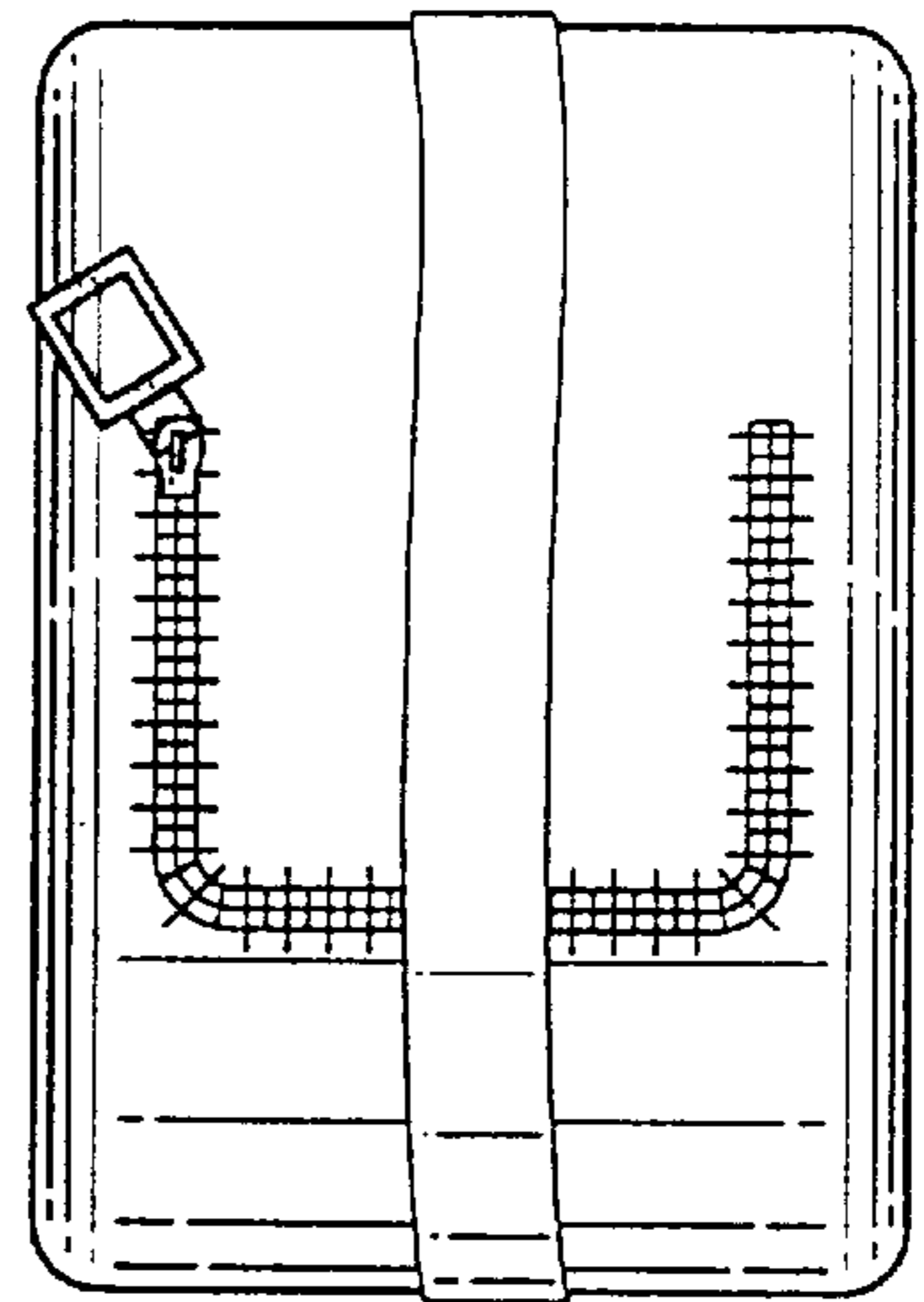


FIG. 2

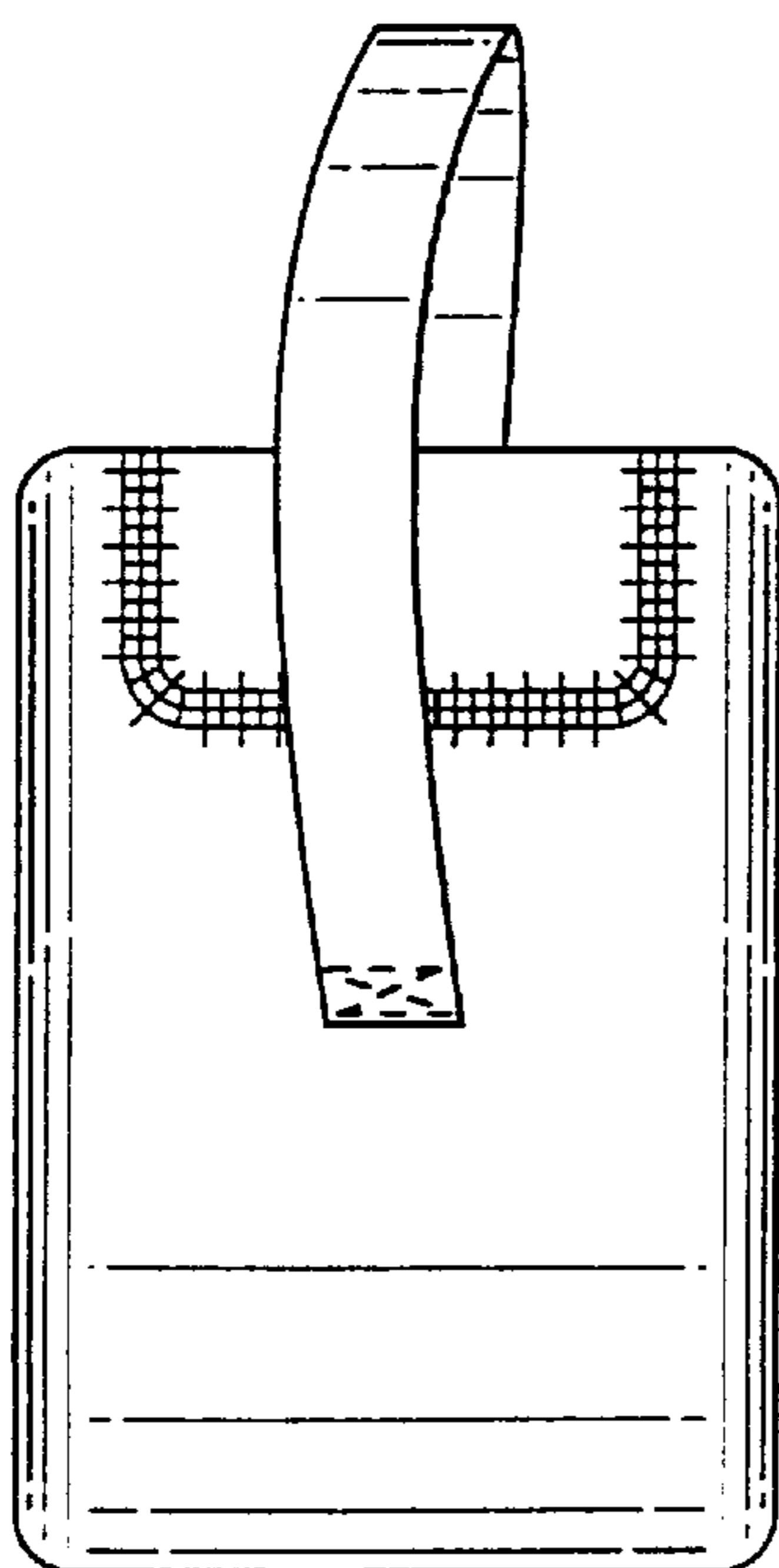


FIG. 3

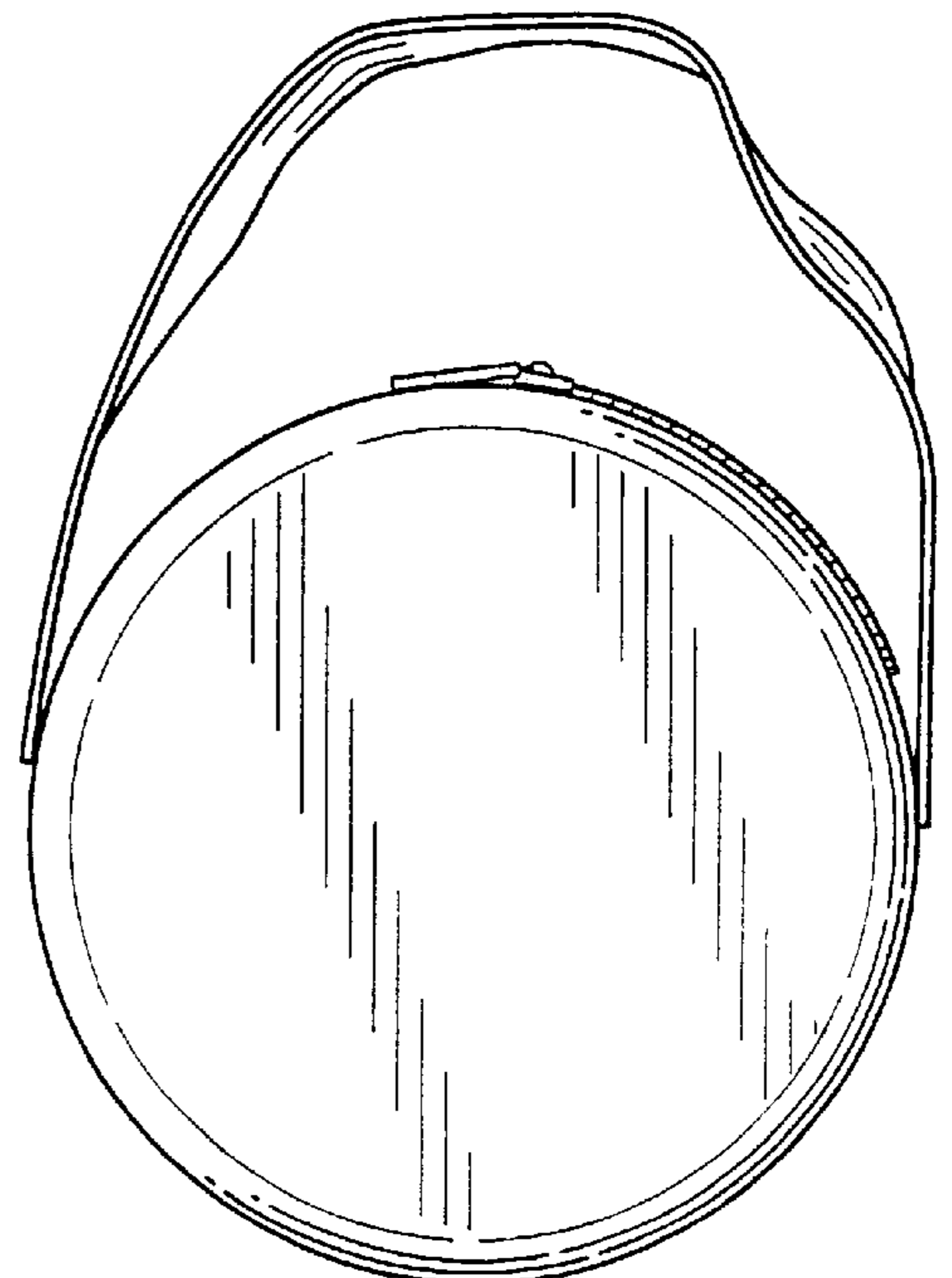


FIG. 4