



US00D414078S

United States Patent [19]
Elmore

[11] **Patent Number: Des. 414,078**

[45] **Date of Patent: ** Sep. 21, 1999**

[54] **SCOOP BIN**

[76] Inventor: **James N. Elmore**, 2822 Striper La.,
Ferndale, Ark. 72208

[**] Term: **14 Years**

[21] Appl. No.: **29/096,288**

[22] Filed: **Nov. 9, 1998**

[51] **LOC (6) Cl.** **07-01**

[52] **U.S. Cl.** **D7/589**

[58] **Field of Search** D7/589, 590; D6/510,
D6/515; 141/317; 222/108, 129, 143, 165,
173, 181, 185

[56] **References Cited**

U.S. PATENT DOCUMENTS

D. 257,464	10/1980	Persiani	D7/589
D. 309,552	7/1990	Spring et al.	D7/589
D. 345,085	3/1994	Sewell et al.	D7/589
4,718,578	1/1988	Radek et al.	222/108

OTHER PUBLICATIONS

Sales Brochure for Vita-Bin Scoop Bin, New Leaf Designs,
Inc, Copyright 1998.

Primary Examiner—Terry A. Wallace

Attorney, Agent, or Firm—James R. Eley; Kegler, Brown,
Hill & Ritter

[57] **CLAIM**

The ornamental design for a scoop bin, as shown and
described.

DESCRIPTION

FIG. 1 is a front perspective view of my design for a scoop
bin;

FIG. 2 is a left side elevational view thereof;

FIG. 3; is a right side elevational view thereof;

FIG. 4; is a front elevational view thereof;

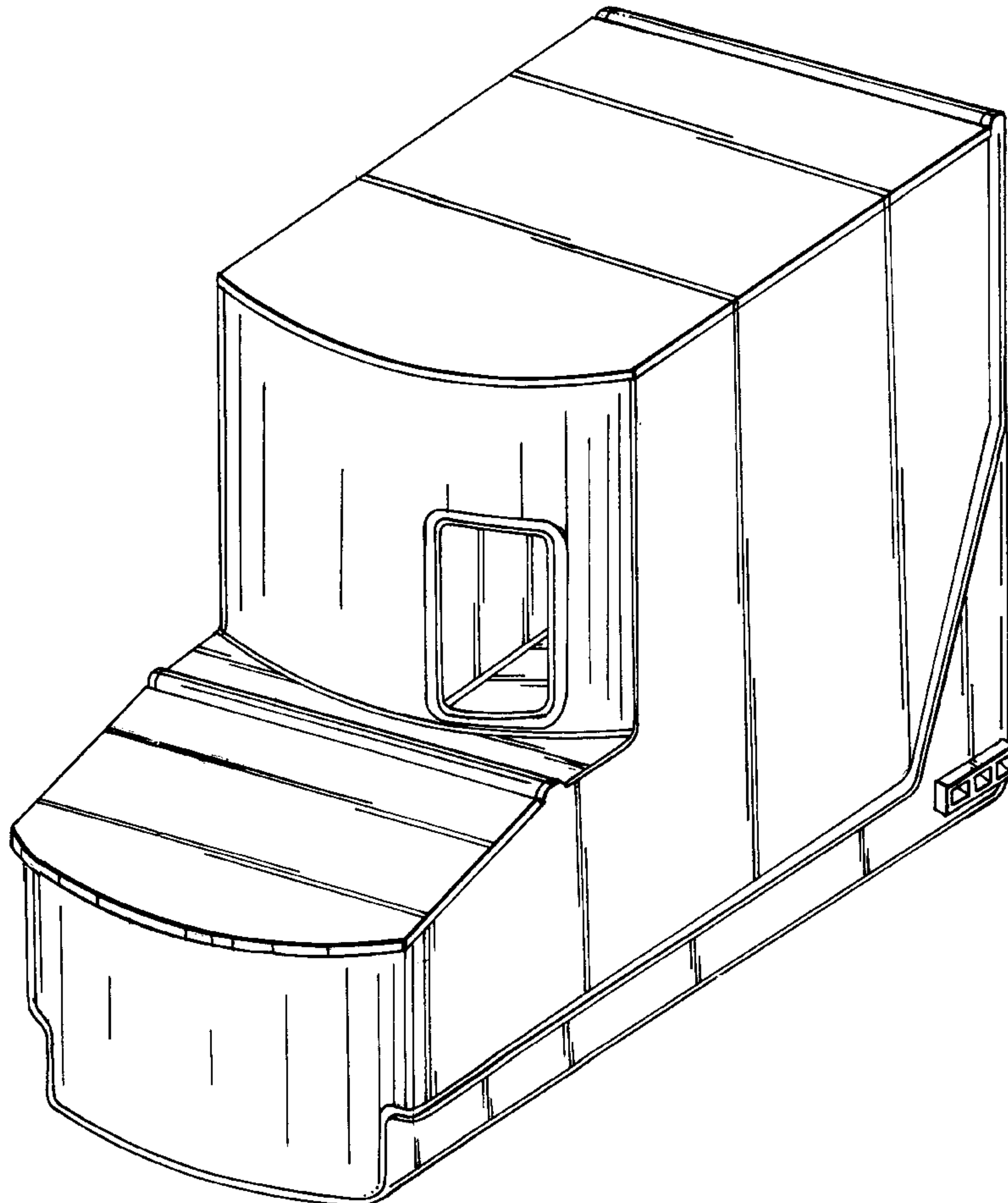
FIG. 5 is a rear elevational view thereof;

FIG. 6 is a top view thereof;

FIG. 7 is a bottom view thereof; and,

FIG. 8 is a front perspective view of an alternate embodi-
ment for a scoop bin.

1 Claim, 5 Drawing Sheets



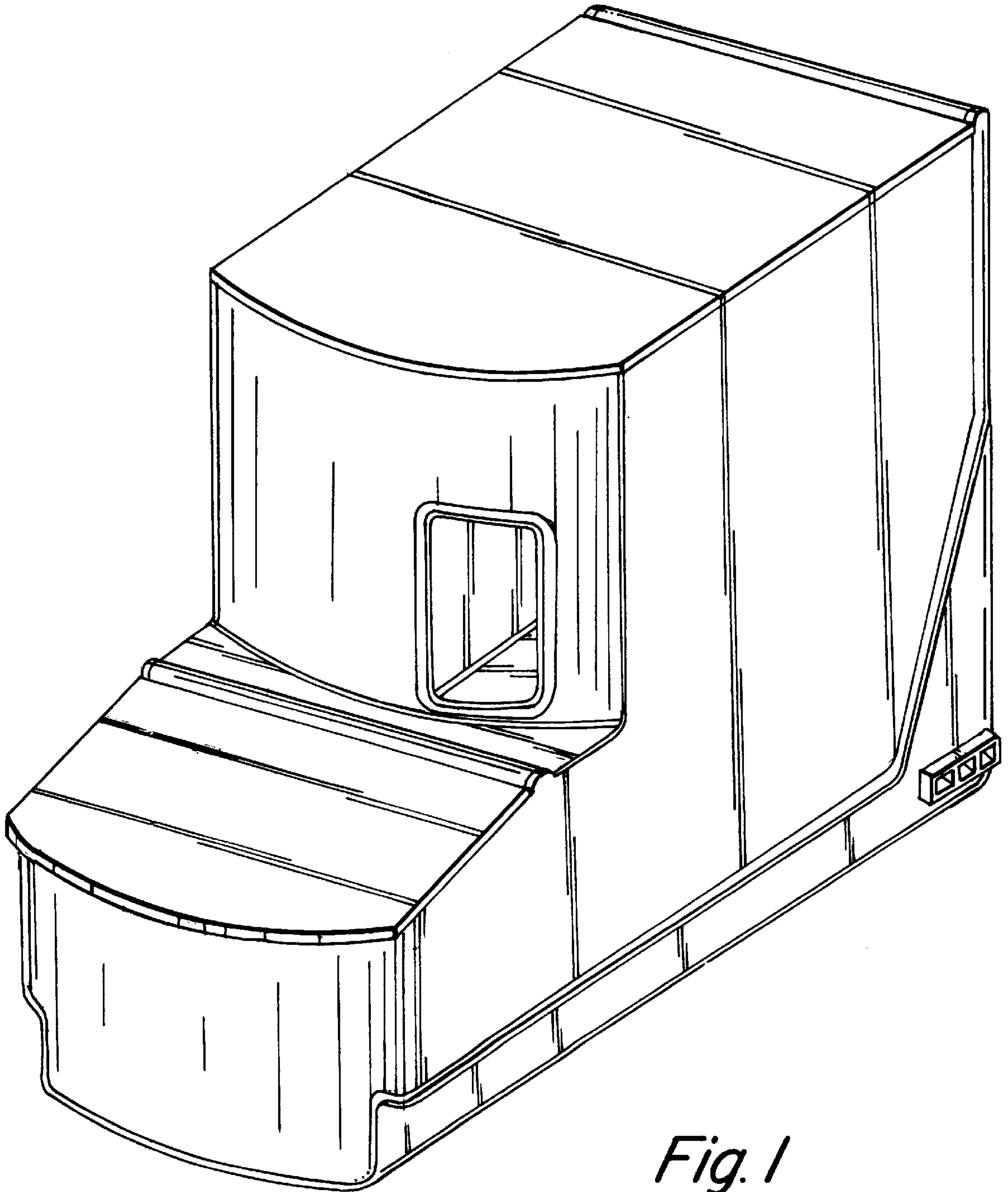


Fig. 1

Fig. 2

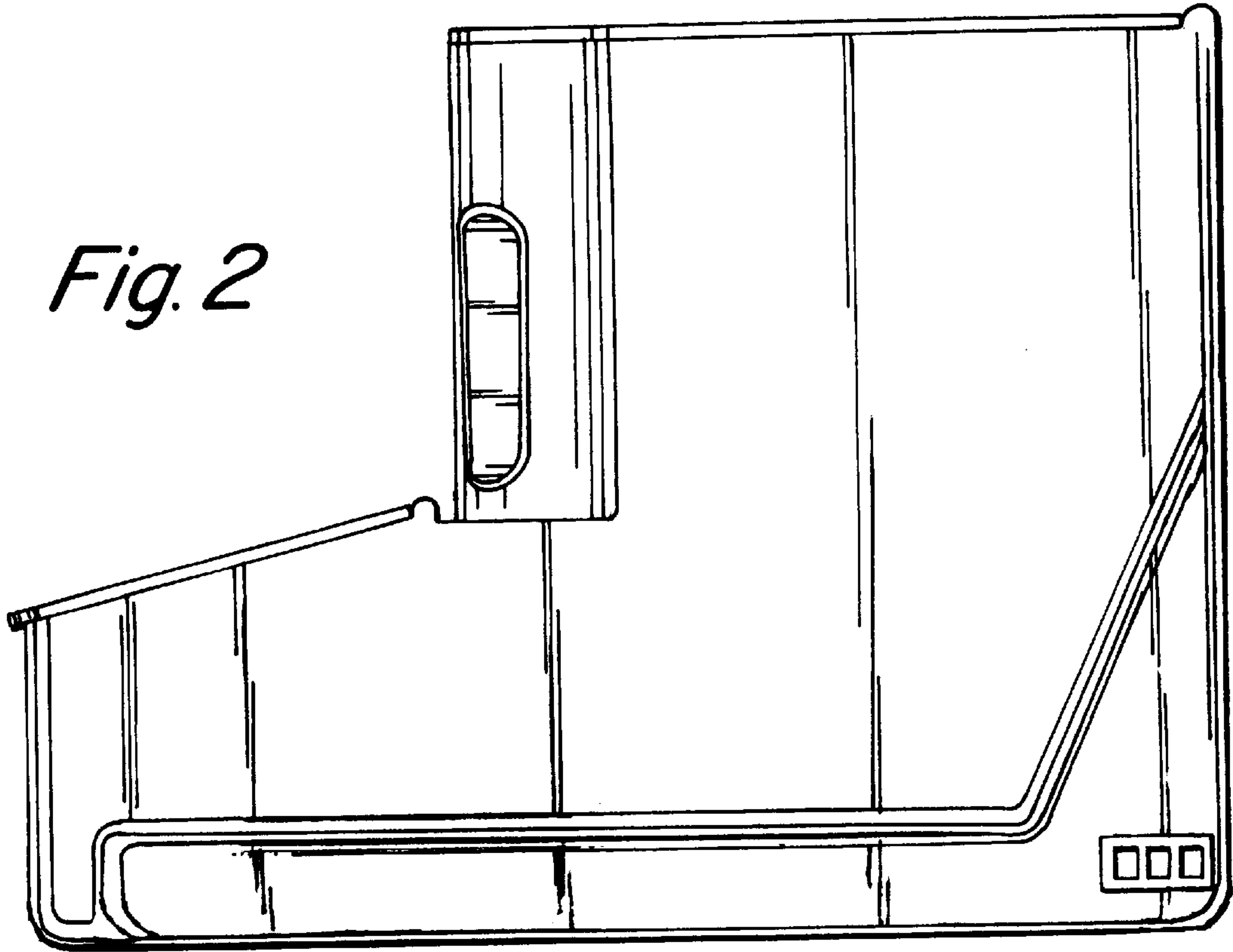


Fig. 3

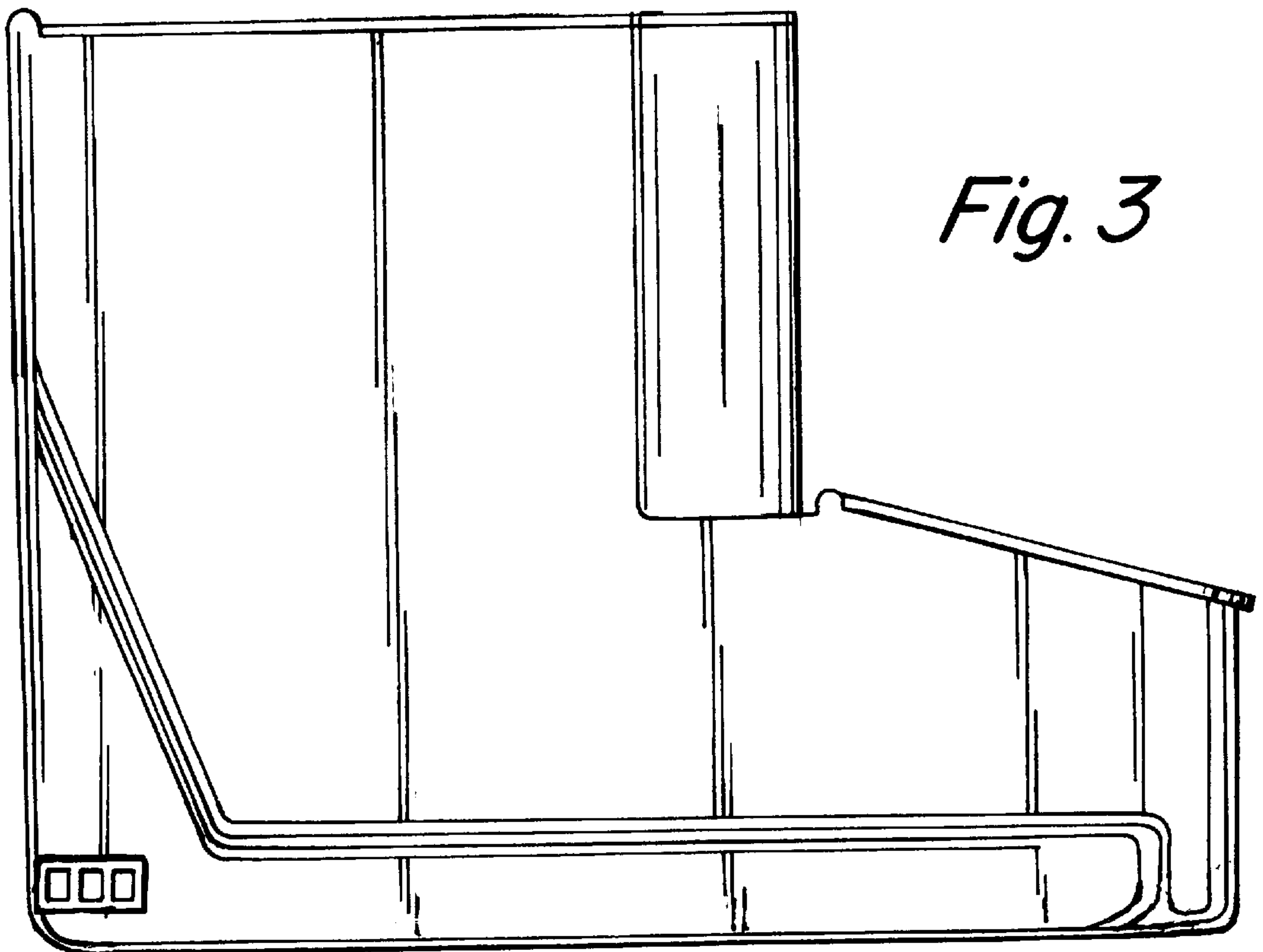


Fig. 4

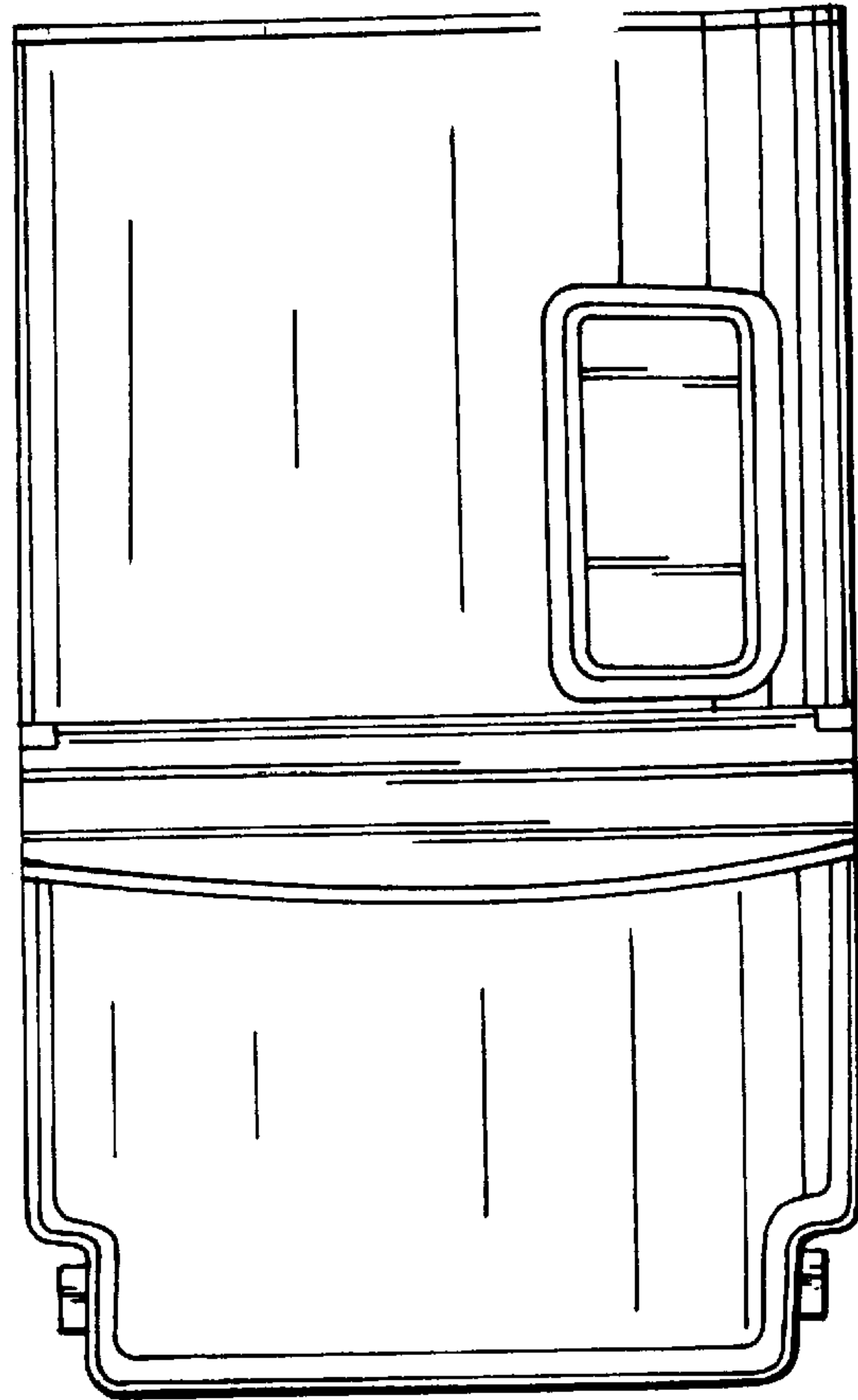
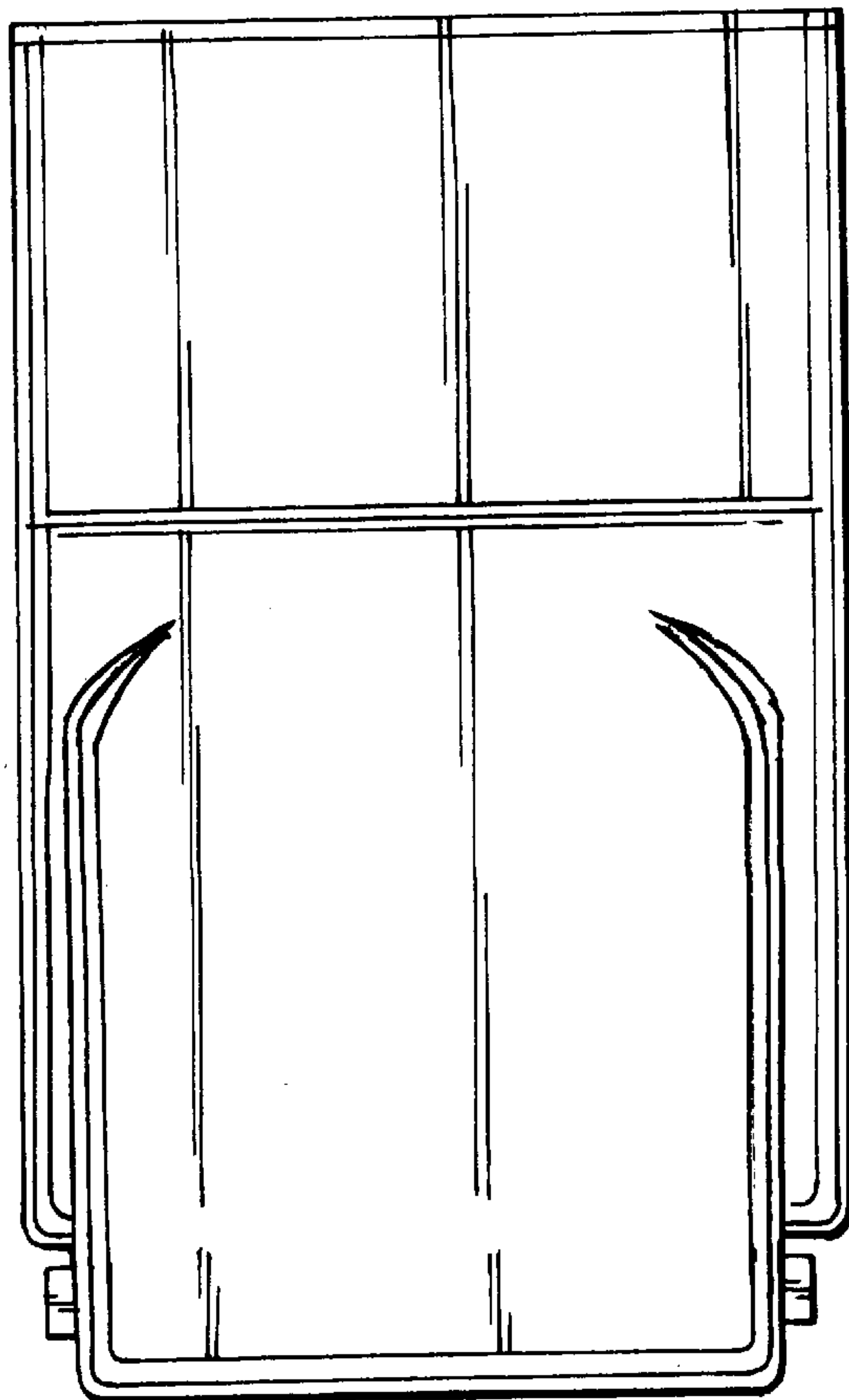


Fig. 5



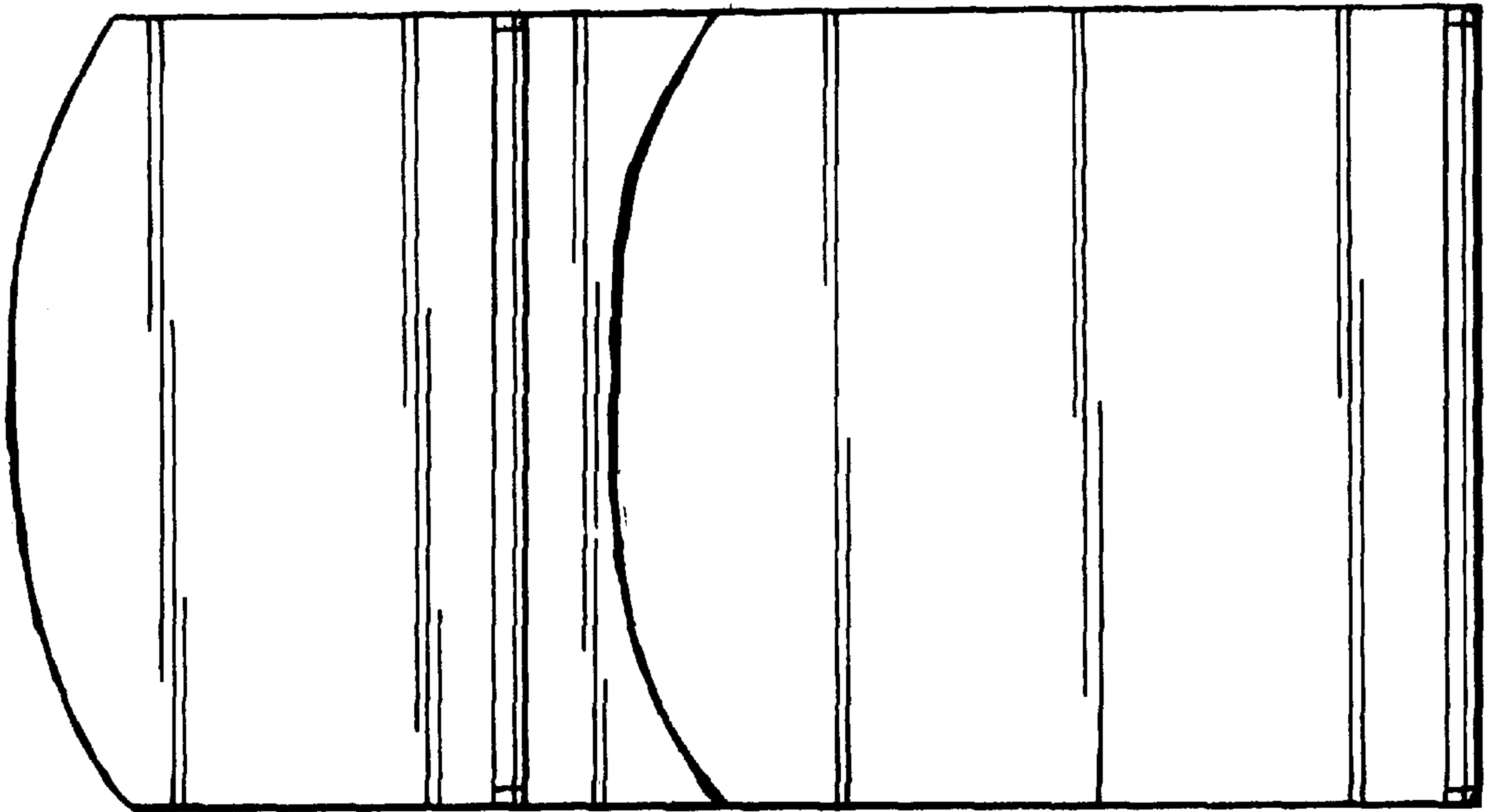


Fig. 6

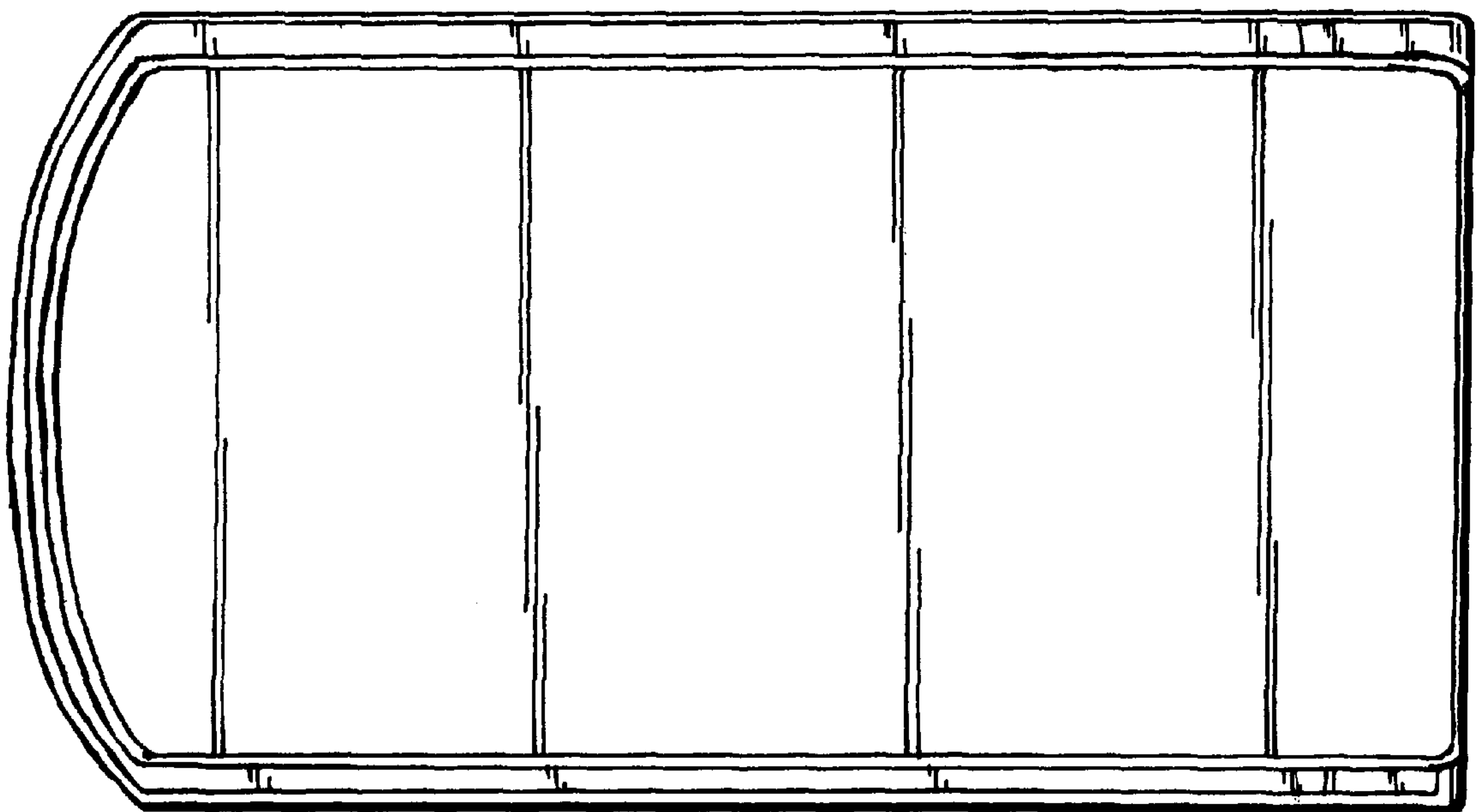


Fig. 7

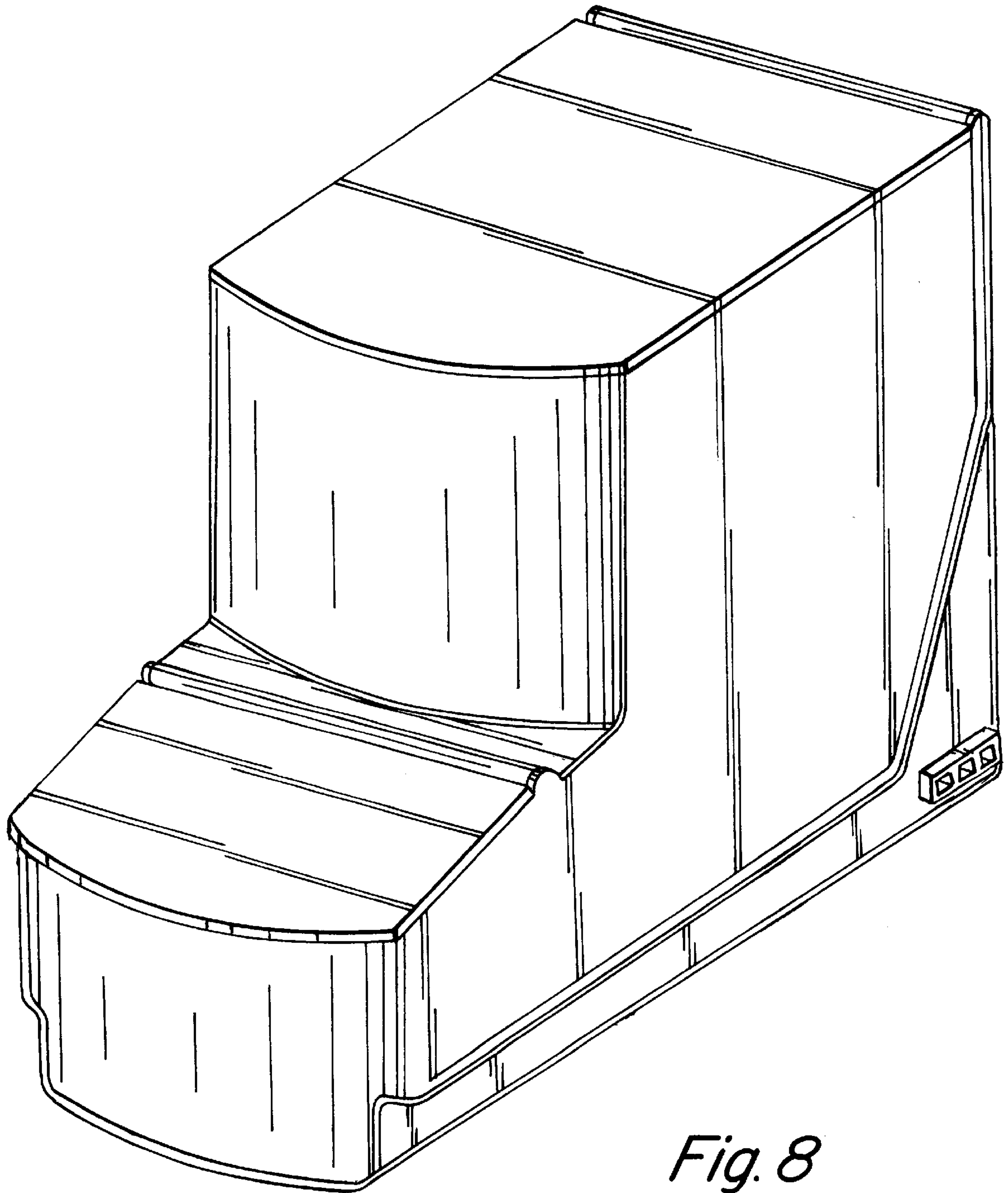


Fig. 8