



US00D414076S

# United States Patent [19]

[11] **Patent Number: Des. 414,076**

**Davis et al.**

[45] **Date of Patent: \*\* Sep. 21, 1999**

[54] **BASE FOR POWER-OPERATED VEGETABLE SLICER**

[76] Inventors: **Michael A. Davis**, 108 Stucky Dr., Dover, Ohio 44622; **Christopher T. Troyer**, 1296 N. Wooster Ave., Strasburg, Ohio 44680

[\*\*] Term: **14 Years**

[21] Appl. No.: **29/087,523**

[22] Filed: **May 4, 1998**

### Related U.S. Application Data

[63] Continuation-in-part of application No. 08/584,367, Jan. 2, 1996, abandoned.

[51] **LOC (6) Cl.** ..... **31-00**

[52] **U.S. Cl.** ..... **D7/412**

[58] **Field of Search** ..... D7/673, 412, 672, D7/693, 213, 403, 387, 396.6, 381, 386; 83/761, 461, 437, 865, 425.3, 532, 733, 662, 425.1, 425.2, 857, 932; 99/509, 537, 538; 248/37.3, 351, 176

### [56] References Cited

#### U.S. PATENT DOCUMENTS

D. 117,762	11/1939	Strauss	.....	D7/412
D. 183,511	9/1958	Chesney et al.	.....	D7/412
252,325	1/1882	Moore	.....	D7/673 X
D. 326,388	5/1992	Boerner	.....	D7/381
D. 383,940	9/1997	Davis et al.	.....	D7/412
507,383	10/1893	O'Connell	.....	83/435.19
533,164	1/1895	Criswell	.....	83/435.19
563,652	7/1896	Bulette	.....	83/435.15
590,129	9/1897	Bulette	.....	99/537 X
608,368	8/1898	Lawson	.....	99/537 X
723,729	3/1903	Powles, Sr	.....	248/37.3
1,046,551	12/1912	Cass	.....	83/408
1,320,294	10/1919	Todd	.....	83/651.1 X
1,379,724	5/1921	Russell	.....	99/537 X
1,478,684	12/1923	Taylor et al.	.....	83/435.19
1,668,286	5/1928	Powell	.....	83/425.1
1,805,376	5/1931	Samson	.....	83/420
2,046,396	7/1936	Matter et al.	.....	99/581 X
2,093,755	9/1937	Garfunkel	.....	83/425.2

2,153,407	4/1939	Bell	.....	83/435.19
2,283,029	5/1942	Bakewell	.....	83/435.19
2,343,448	3/1944	Fay	.....	D7/381 X
2,407,924	9/1946	Garfunkel	.....	83/435.19
2,464,993	3/1949	Ross	.....	99/589 X

(List continued on next page.)

### OTHER PUBLICATIONS

Saver Specialty Co., Torrance, CA 90503, 5 page printout entitled "Keencutter", Downloaded From Internet On Dec. 19, 1997.

Shaver Specialty Co., Torrance, CA 90503, 4 page brochure entitled "Slice-Dice-Shredwith The Keen Kutter" Oct. 1987.

Shaver Specialty Co., Torrance, CA 90503, 4 Sheets of Product Information on Keen Kutter Products, Approx. 1990.

Vollrath, Lamirada, CA 90638, 2 Sheets Of Product Information On Vollrath Products, Approx. 1990.

"Bloomfield" Potato Cutter, 1 Sheet of Product Information (Author Not Known), Approx. 1990.

"Halco"+"Bloomfield"+"Shaver Keen Kutter", 1 Sheet of Product Infomation (Author Not Known), Approx. 1990.

Dial-O-Matic Food Cutter (Author Unknown) Cited by PTO and Bears Handwritten Date Mar. 2, 1995.

*Primary Examiner*—Caron D. Veynar  
*Attorney, Agent, or Firm*—David A. Burge

### [57] CLAIM

The ornamental design for a base for power-operated vegetable slicer, as shown and deccribed.

### DESCRIPTION

FIG. 1 is a perspective view of base for power-operated vegetable slicer embodying our design, with the view showing principally top, front and left portions thereof;

FIG. 2 is a perspective view thereof showing principally bottom, rear and right portions thereof;

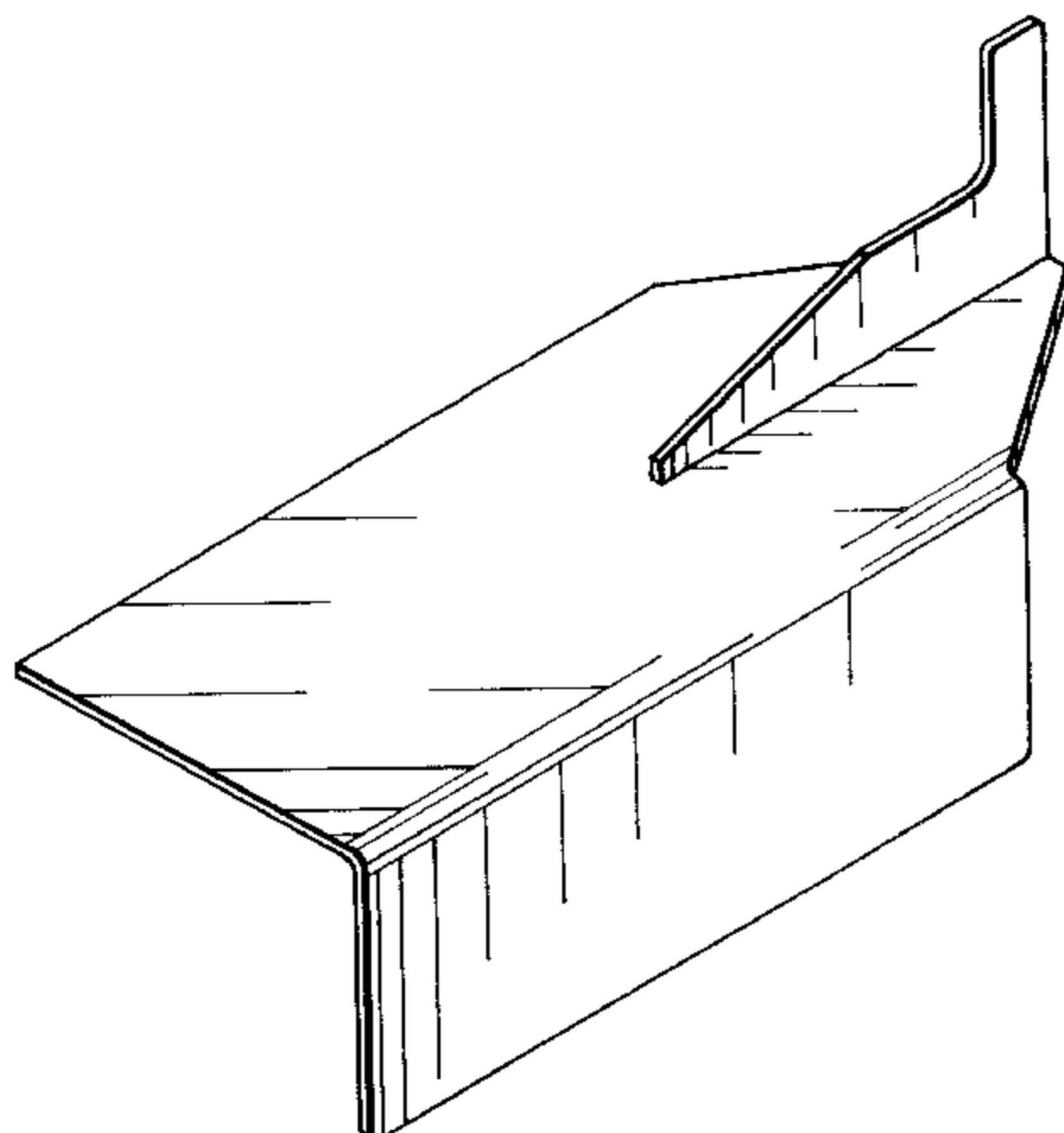
FIG. 3 is a top plan view thereof;

FIG. 4 is a front elevational view thereof;

FIG. 5 is a left elevational view thereof; and,

FIG. 6 is a right elevational view thereof.

**1 Claim, 2 Drawing Sheets**



## U.S. PATENT DOCUMENTS

2,470,934	5/1949	La Bat	83/435.18	3,832,875	9/1974	Newman	72/25
2,489,581	11/1949	Mason	99/537 X	3,874,259	4/1975	Chambos et al.	83/865
2,522,143	9/1950	Strassenburg	83/865	3,880,295	4/1975	Wyslotsky	214/1.5
2,644,194	7/1953	Fill	99/538 X	3,952,621	4/1976	Chambos	8/733
2,647,549	8/1953	Koch	99/509	3,987,696	10/1976	Haas et al.	83/532
2,733,508	2/1956	Carter	433/49	3,994,326	11/1976	Sarten	144/136
2,790,474	4/1957	Norton, Sr.	83/932 X	4,062,260	12/1977	Steinhogl	83/404.3
2,836,212	5/1958	Shaw	99/538 X	4,254,678	3/1981	Steiner et al.	83/425.3
2,852,053	9/1958	Berry et al.	83/857 X	4,342,242	8/1982	Schaum	83/437
3,112,781	12/1963	Popeil	83/425.2 X	4,436,025	3/1984	Jones	99/538
3,211,202	10/1965	Mason	83/425.1 X	4,619,192	10/1986	Cycyk et al.	99/538
3,216,474	11/1965	Popeil	83/662	4,979,418	12/1990	Covert et al.	83/865
3,283,730	11/1966	Mohler	425/276	5,121,679	6/1992	Mertz	99/538
3,519,050	7/1970	Dobrinen	99/538 XC	5,127,616	7/1992	Carney	248/176
3,687,688	8/1972	Stapley et al.	83/865 X	5,129,298	7/1992	Cresson et al.	83/72
3,815,456	6/1974	Braathen et al.	83/68	5,245,902	9/1993	Pereira	83/437
3,830,151	8/1974	Gerson	99/537	5,271,317	12/1993	Aguerrevere et al.	99/538
				5,343,791	9/1994	Julian et al.	83/865

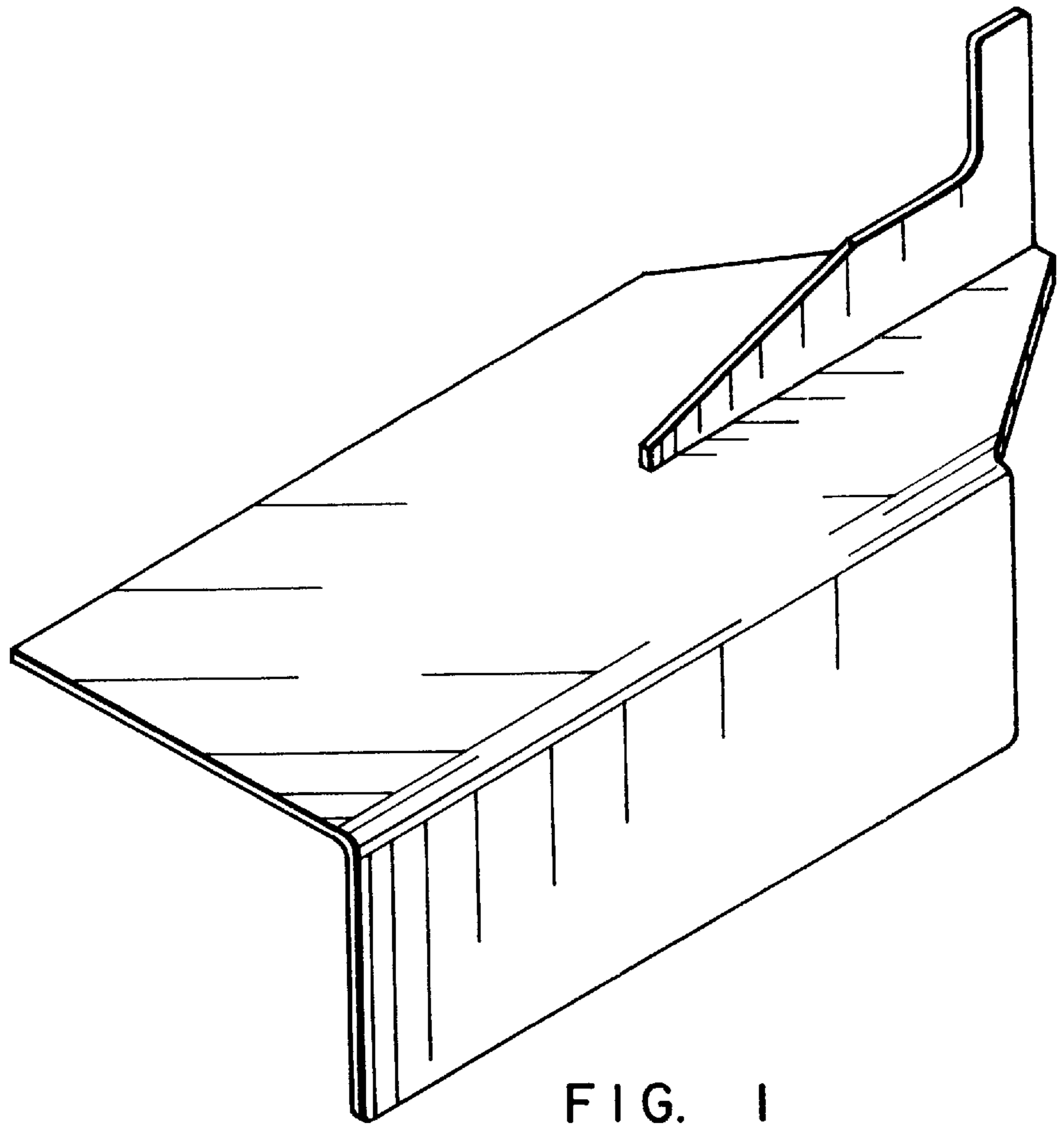


FIG. 1

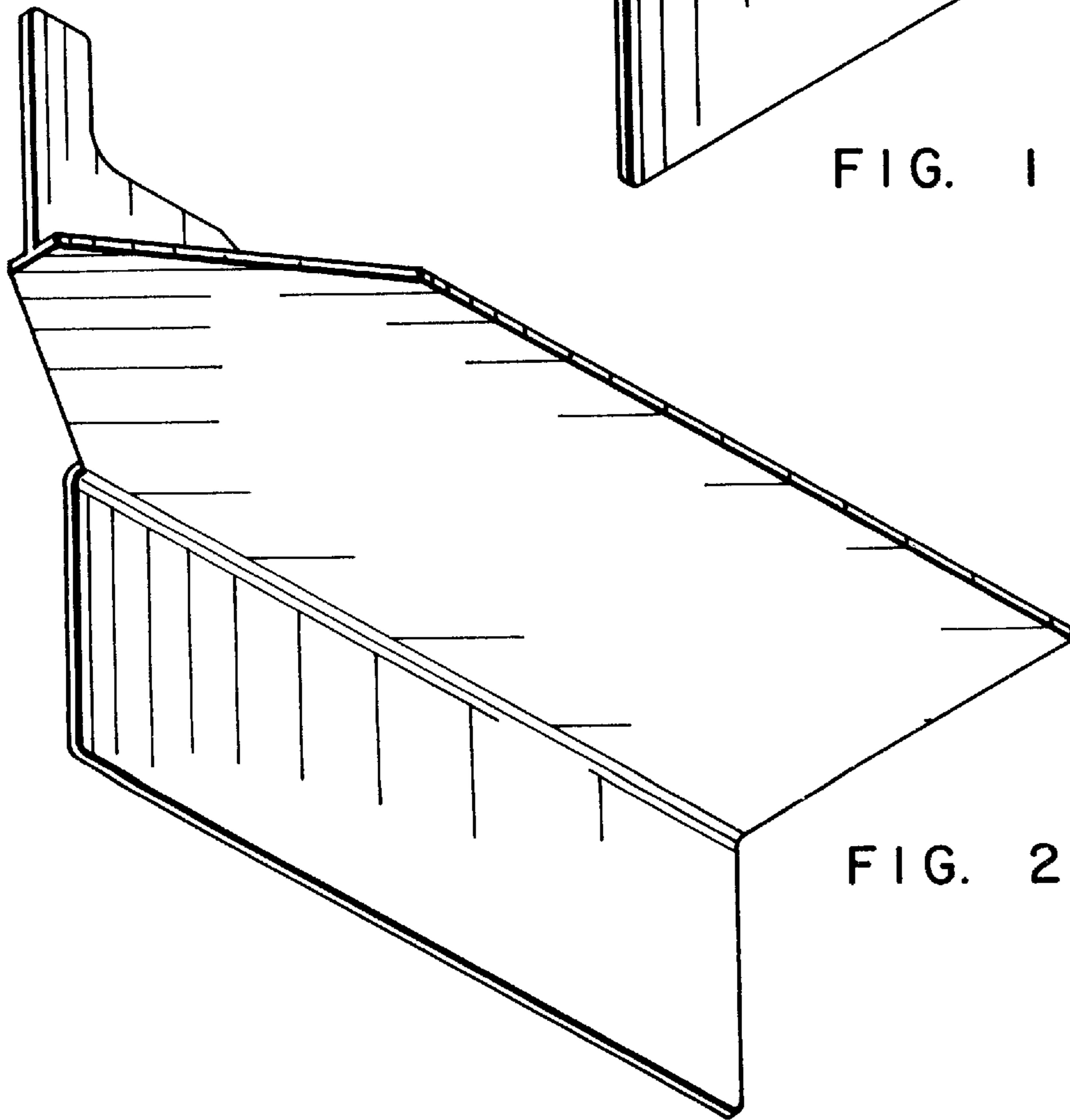


FIG. 2

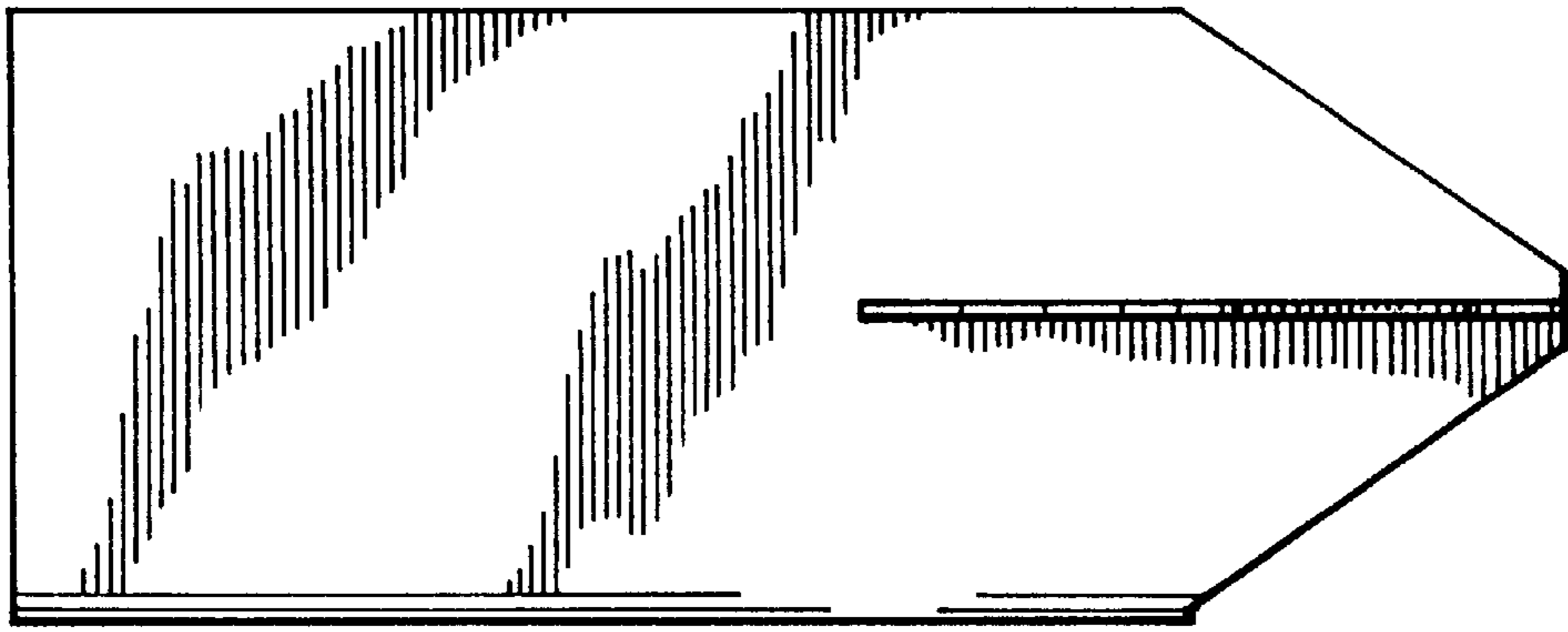


FIG. 3

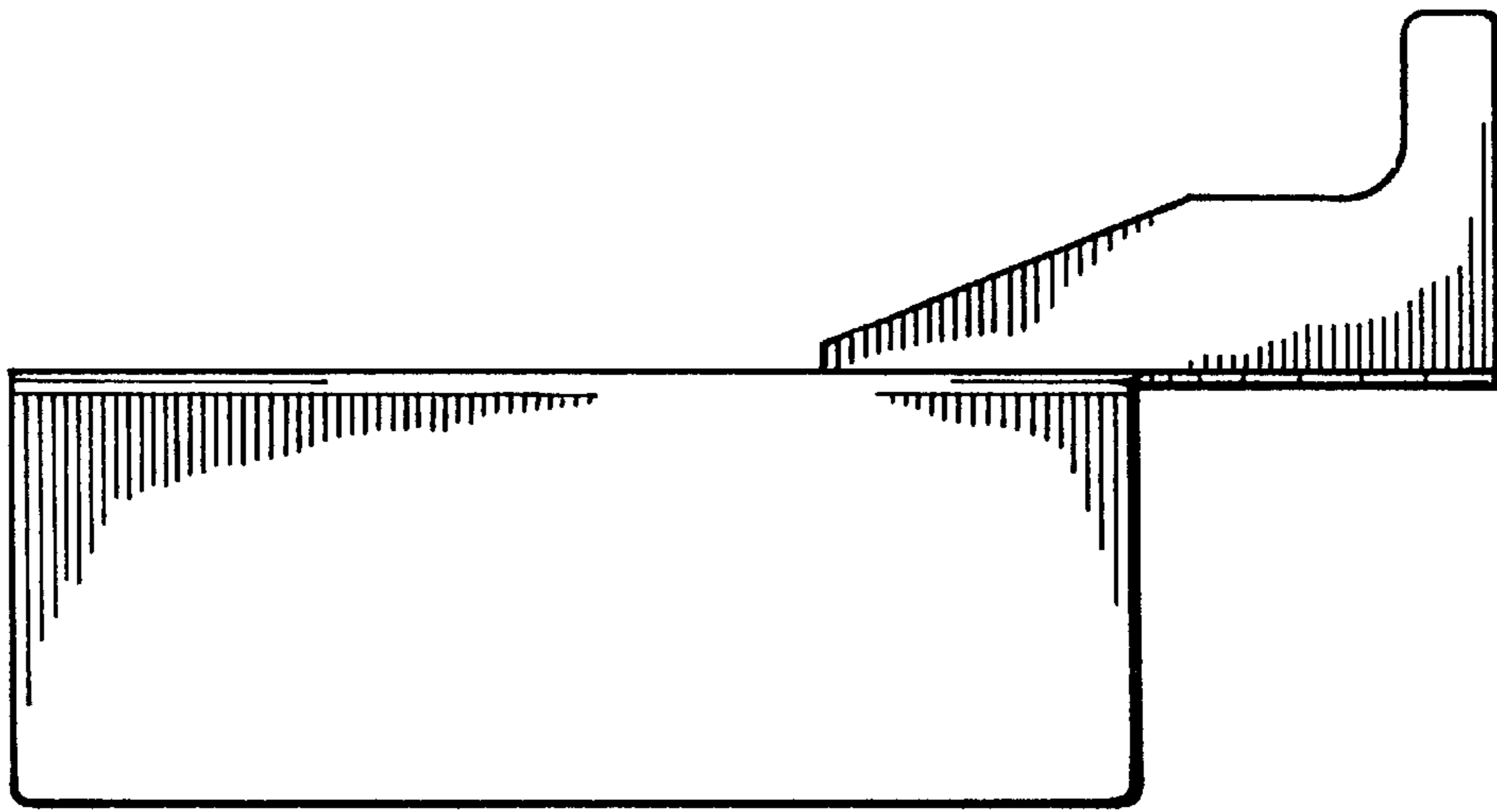


FIG. 4

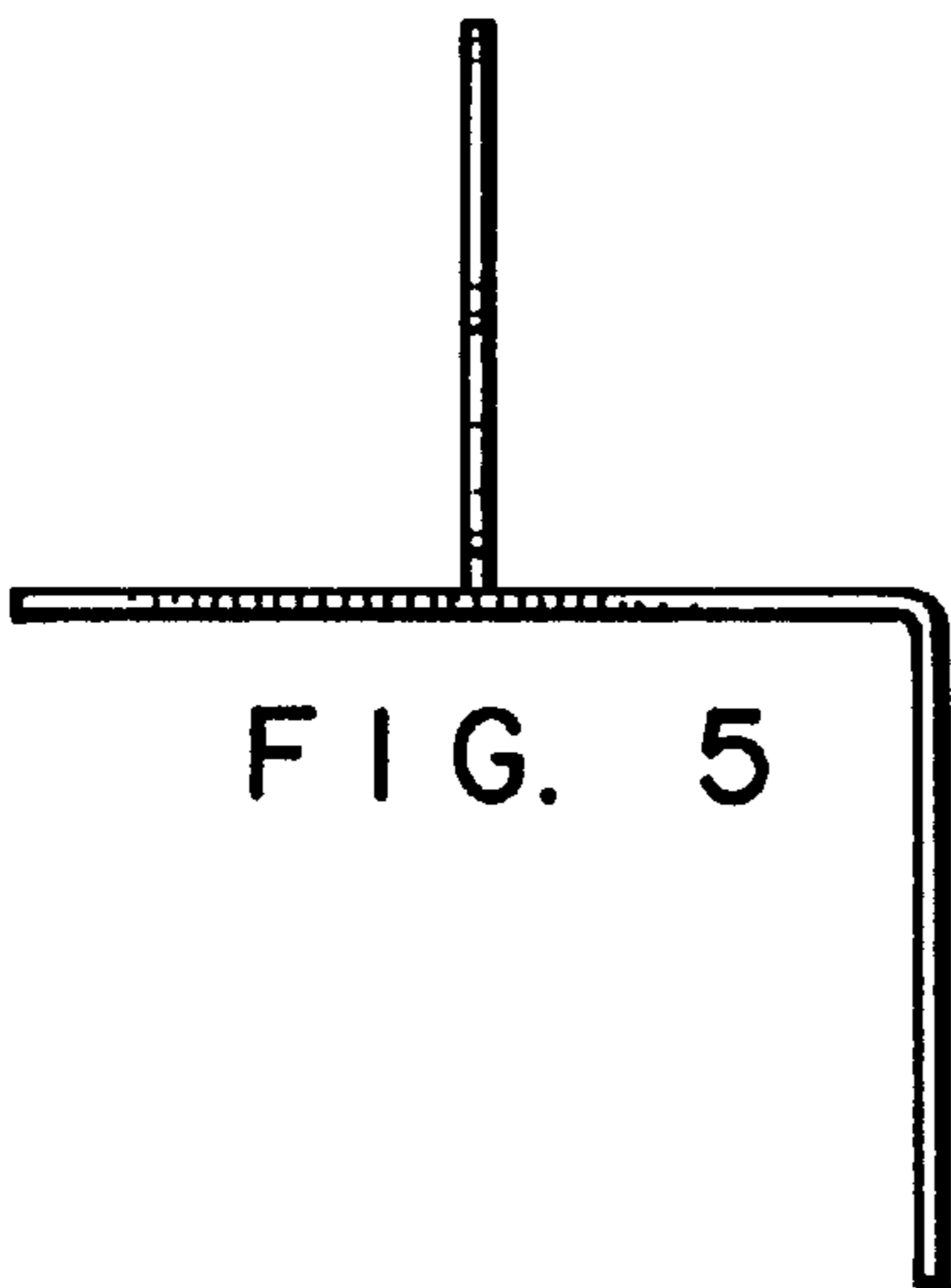


FIG. 5

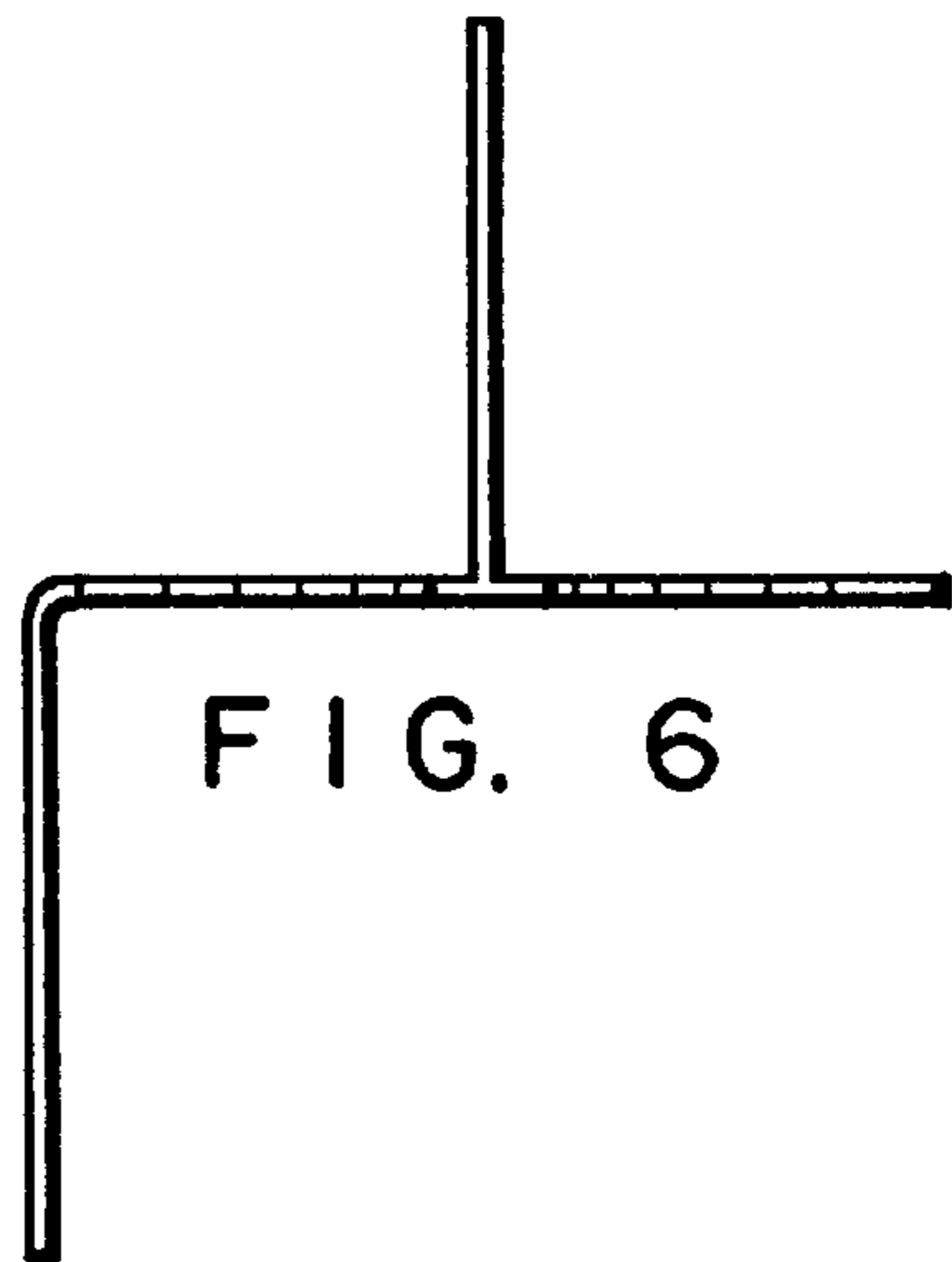


FIG. 6