



US00D414074S

United States Patent [19] Jalayer

[11] **Patent Number: Des. 414,074**

[45] **Date of Patent: ** Sep. 21, 1999**

[54] **HEATED COOKING PLATEN**

[75] Inventor: **Behrooz Jalayer**, Prospect, Ky.

[73] Assignee: **Bottomline Management**, Louisville, Ky.

[**] Term: **14 Years**

[21] Appl. No.: **29/087,935**

[22] Filed: **May 12, 1998**

[51] **LOC (6) Cl.** **07-02**

[52] **U.S. Cl.** **D7/402; D7/363**

[58] **Field of Search** D7/402, 407-409, D7/410, 352, 353, 359; 99/349, 372, 422, 425, 426, 444-446, 449, 450

[56] **References Cited**

U.S. PATENT DOCUMENTS

D. 164,258	8/1951	Oerti	D7/352
D. 232,012	7/1974	Bardeau	D7/352
D. 271,556	11/1983	Bowen et al.	D7/352
D. 340,835	11/1993	Lupa et al.	D7/409
D. 364,995	12/1995	Koziol	D7/409

D. 375,868	11/1996	Larson	D7/361
4,700,619	10/1987	Scanlon	.	
5,070,775	12/1991	Blake	.	
5,105,725	4/1992	Haglund	99/446

Primary Examiner—Ruth McInroy
Attorney, Agent, or Firm—Middleton & Reutlinger; Charles G. Lamb, Esq.

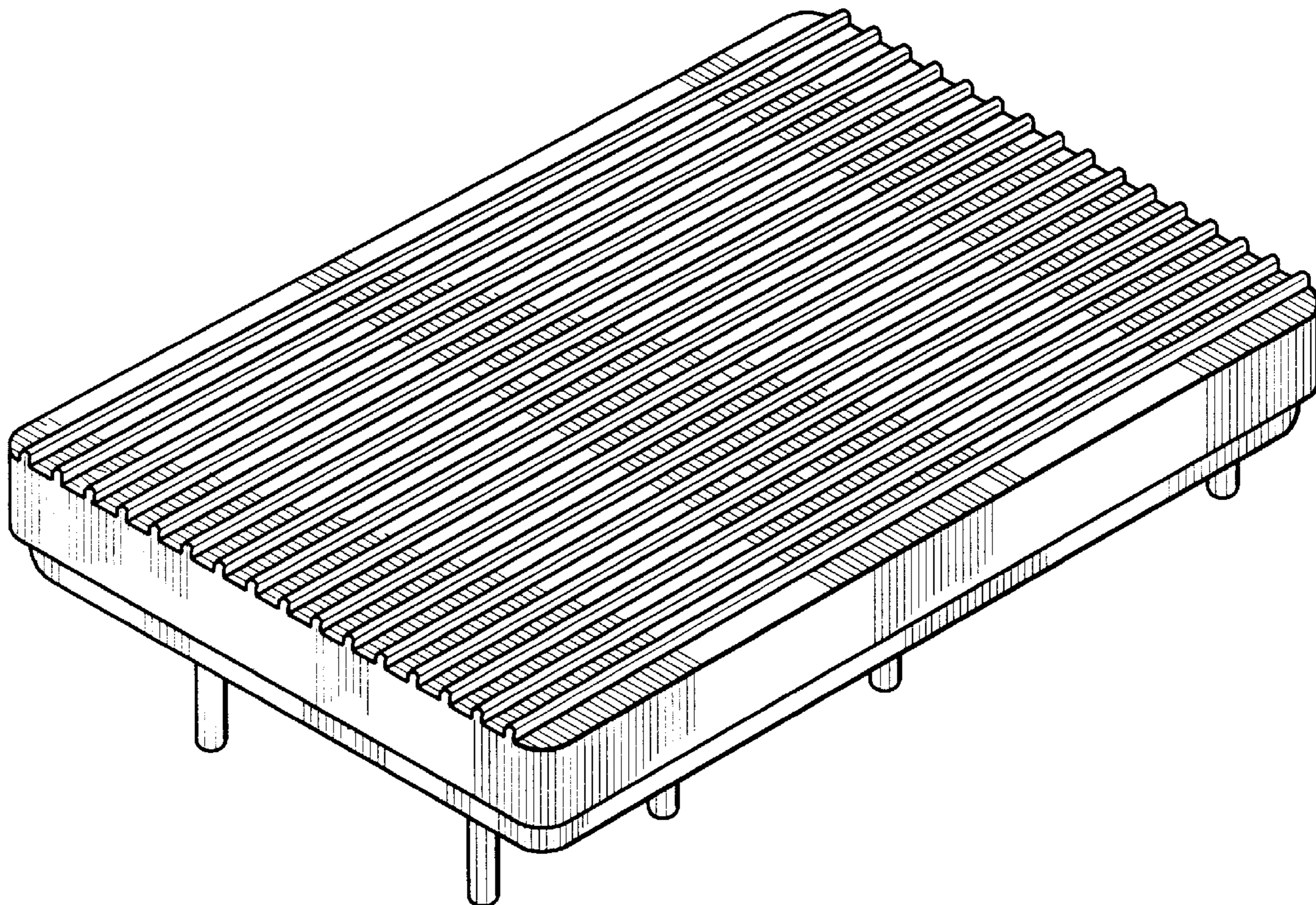
[57] **CLAIM**

The ornamental design for a heated cooking platen, as shown.

DESCRIPTION

FIG. 1 is a perspective view of a heated cooking platen showing ny new design;
FIG. 2 is a top plan view thereof;
FIG. 3 is a front elevational view thereof, the back view being a mirror image;
FIG. 4 is a side elevational view thereof;
FIG. 5 is a side elevational view of the opposite side of FIG. 4; and,
FIG. 6 is a bottom plan view thereof.

1 Claim, 2 Drawing Sheets



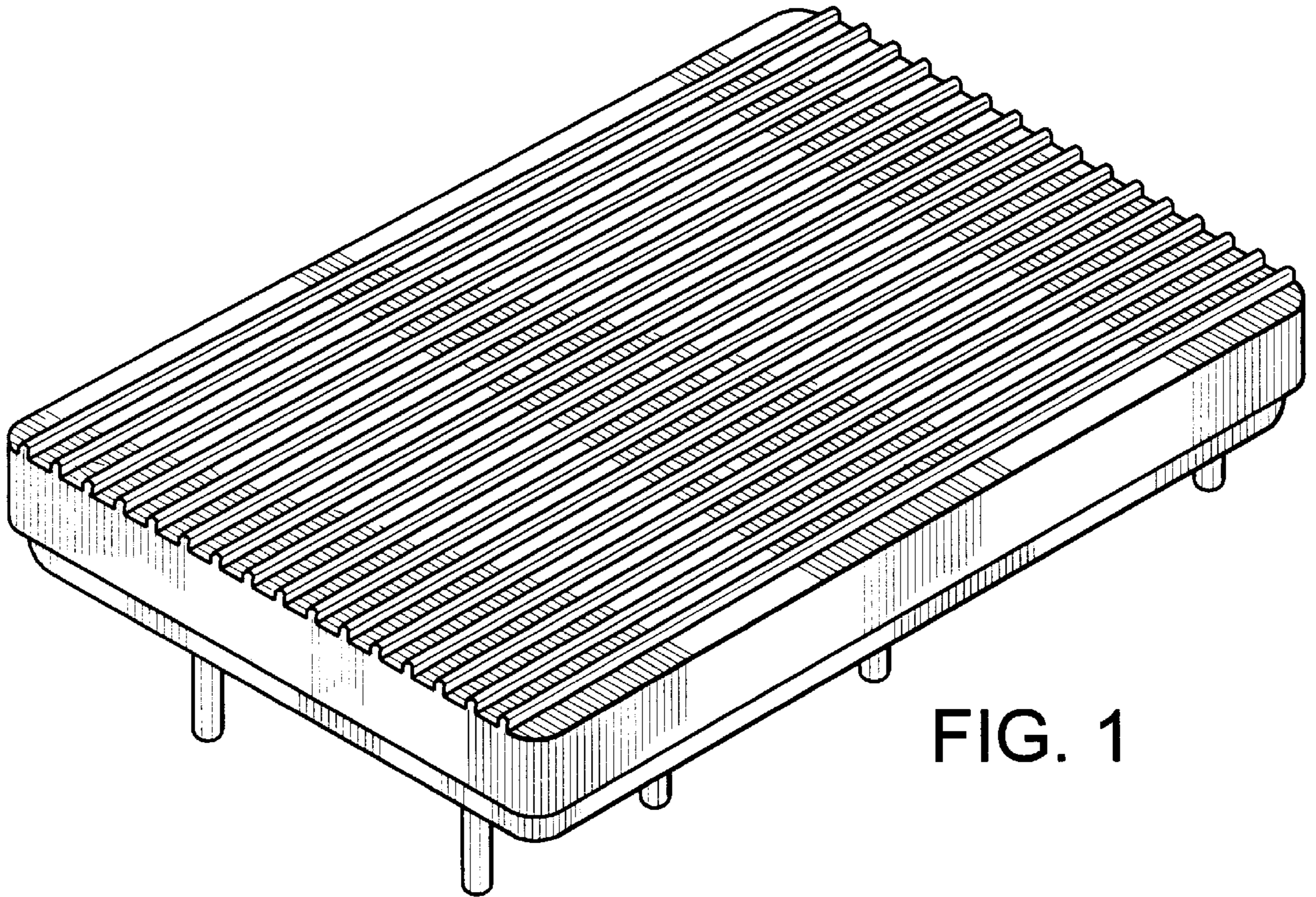


FIG. 1

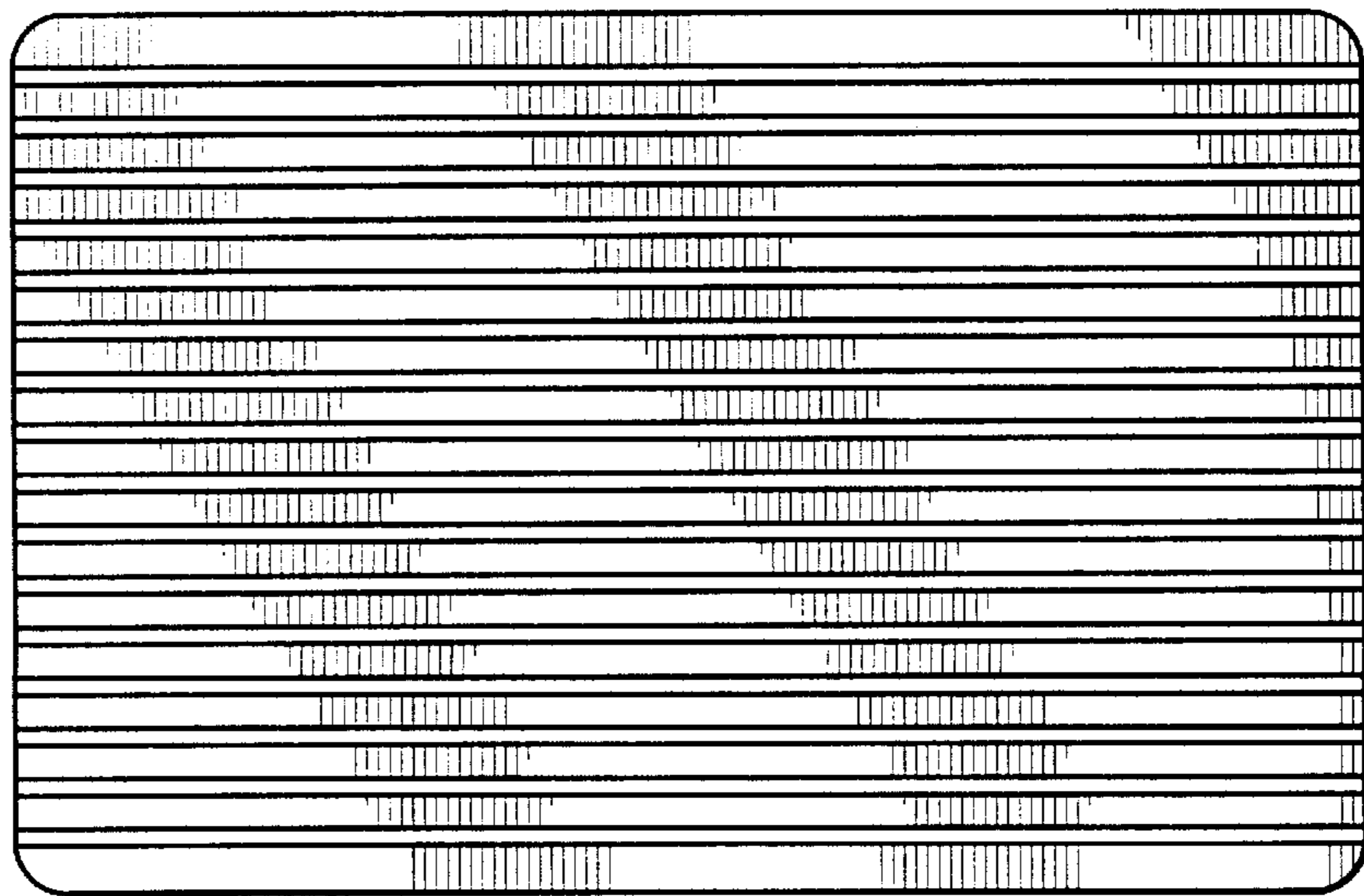


FIG. 2

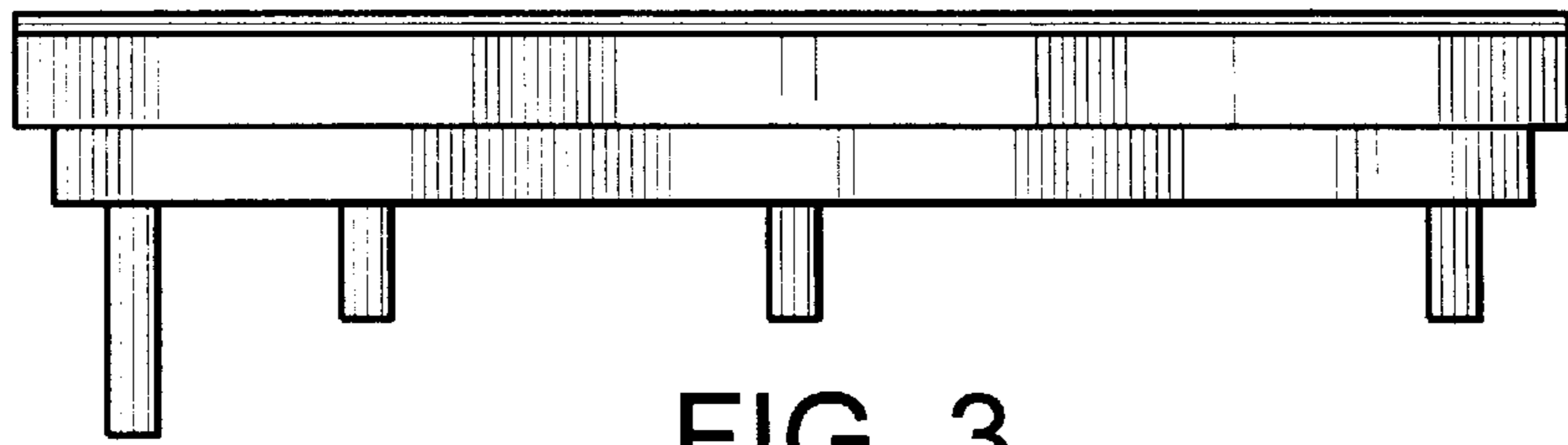


FIG. 3

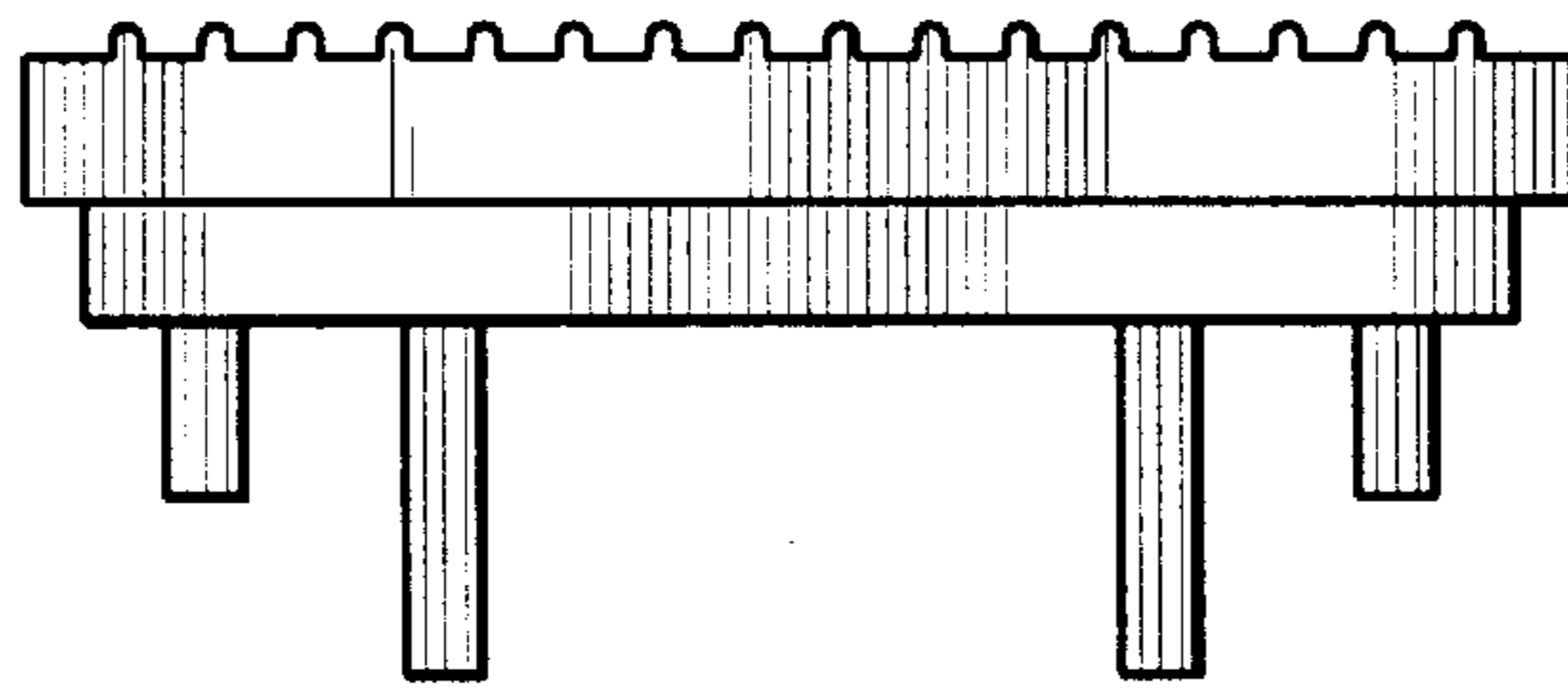


FIG. 4

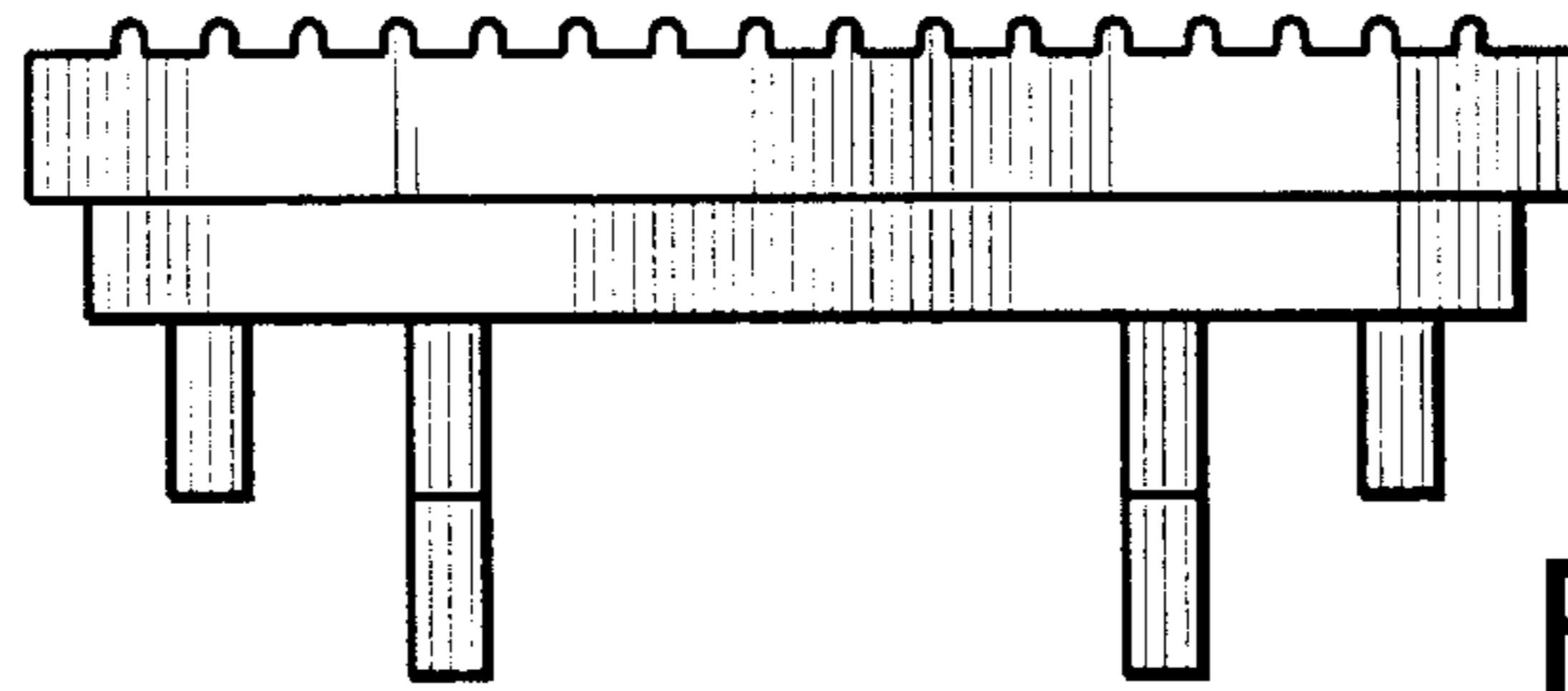


FIG. 5

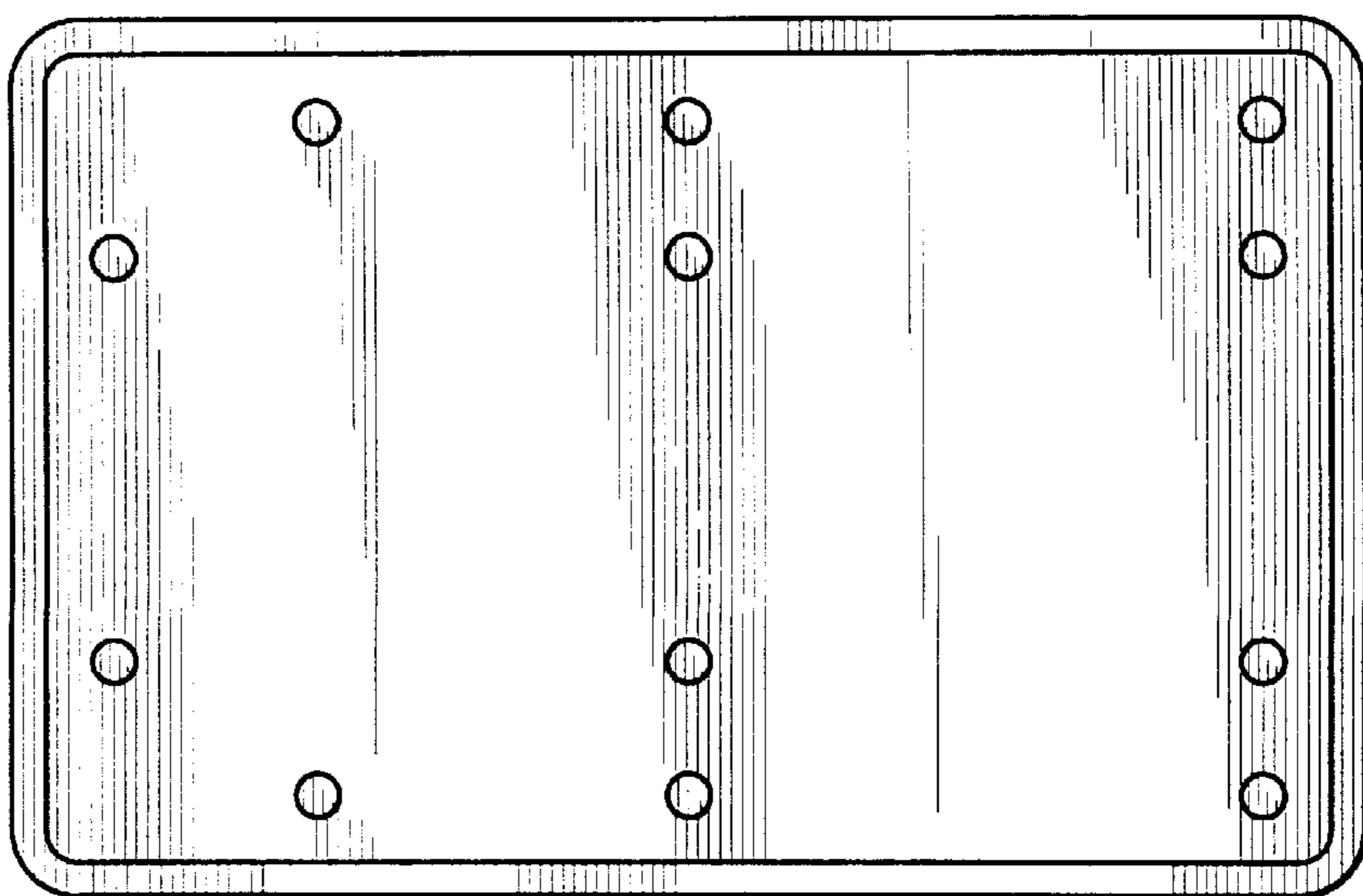


FIG. 6