



US00D414072S

United States Patent [19] Powell

[11] Patent Number: **Des. 414,072**

[45] Date of Patent: **** Sep. 21, 1999**

[54] **FRYER**
[75] Inventor: **Dick Powell**, London, United Kingdom
[73] Assignee: **SEB**, Selongey, France
[**] Term: **14 Years**

D. 365,723 1/1996 Powell D7/354
D. 368,620 4/1996 Piret D7/354
D. 374,588 10/1996 Federico D7/354
D. 386,646 11/1997 Wurth D7/354
D. 387,243 12/1997 Bumoux D7/354
D. 395,786 7/1998 Rossi D7/354

[21] Appl. No.: **29/093,205**
[22] Filed: **Sep. 3, 1998**

Primary Examiner—Caron D. Veynar
Attorney, Agent, or Firm—Pillsbury Madison & Sutro

[30] Foreign Application Priority Data

Mar. 6, 1998 [FR] France 981526

[51] **LOC (6) Cl.** **07-02**
[52] **U.S. Cl.** **D7/354**
[58] **Field of Search** D7/323, 354-361;
99/331, 403, 410, 411, 413; 219/429, 432,
438, 440

[57] CLAIM

The ornamental design for a fryer, as shown and described.

DESCRIPTION

FIG. 1 is a front elevational view of a fryer showing my new design;
FIG. 2 is a rear elevational view thereof;
FIG. 3 is a bottom plan view thereof;
FIG. 4 is a top plan view thereof;
FIG. 5 is a left side elevational view thereof; and,
FIG. 6 is a perspective view thereof, viewed from the left side and above.

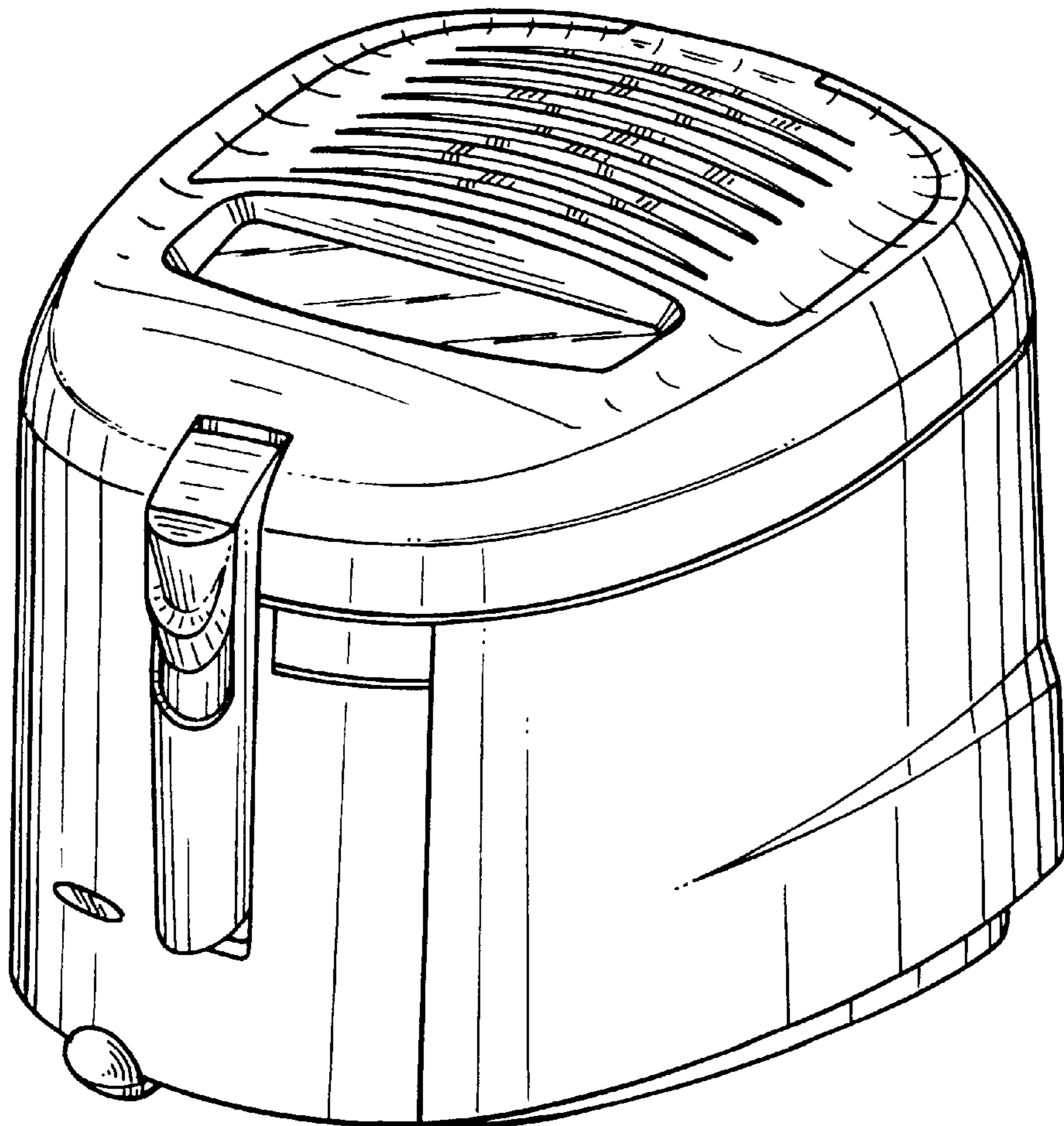
A right side elevational view of the fryer shown in FIGS. 1-6 would be a mirror image of the view shown in FIG. 5.

[56] References Cited

U.S. PATENT DOCUMENTS

D. 324,151 2/1992 Barrault D7/354
D. 347,353 5/1994 Piret et al. D7/354

1 Claim, 3 Drawing Sheets



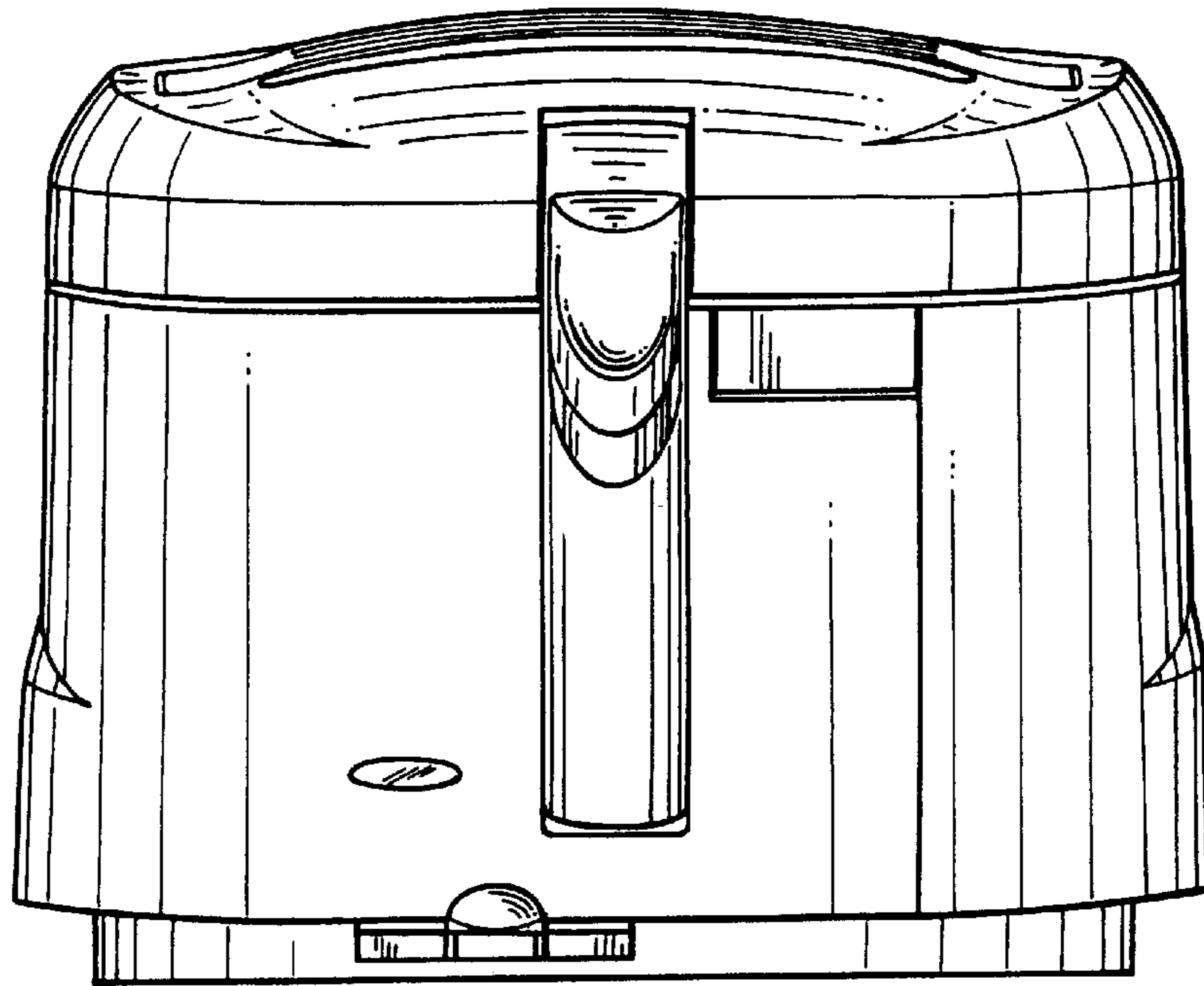


FIG. 1

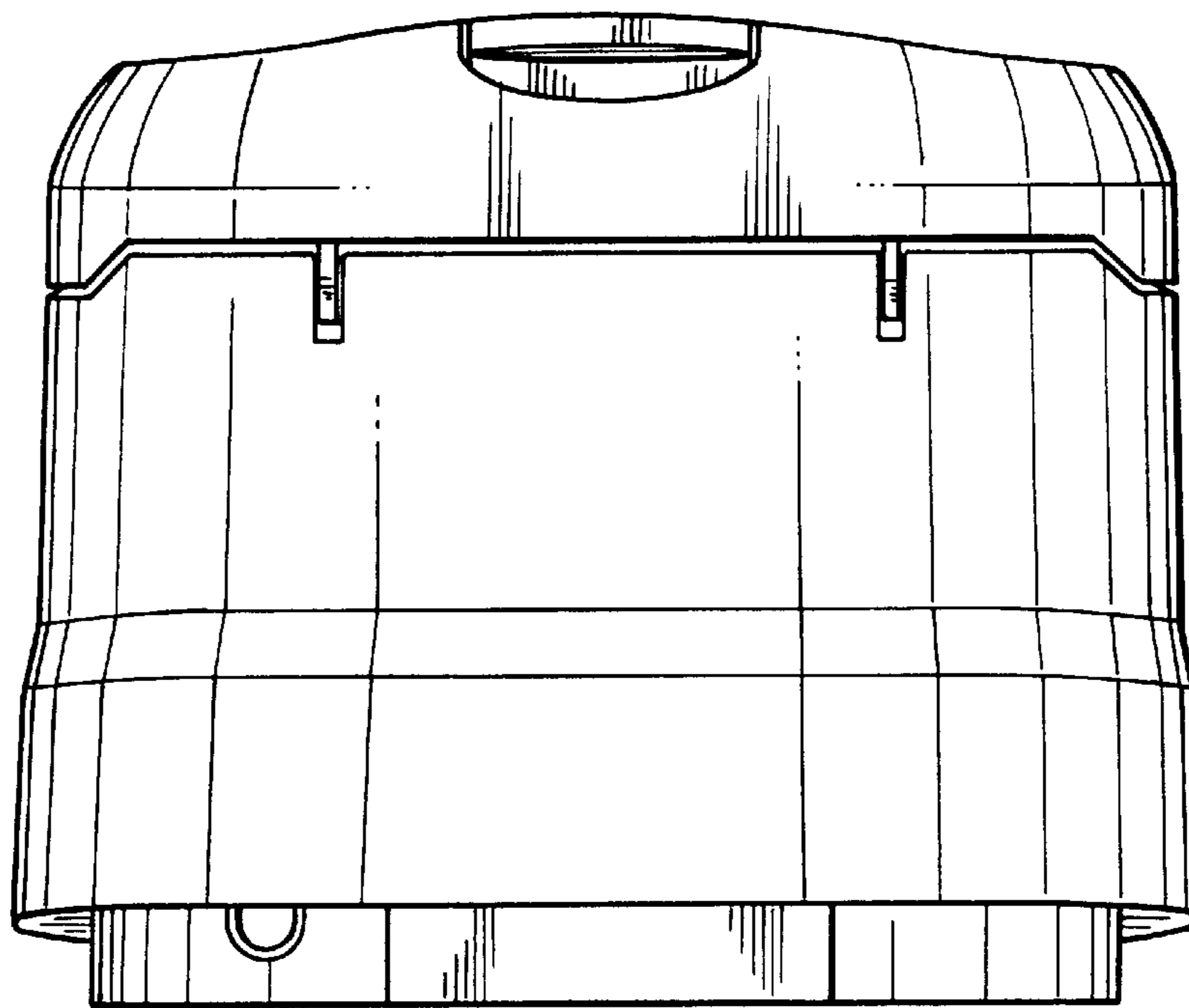


FIG. 2

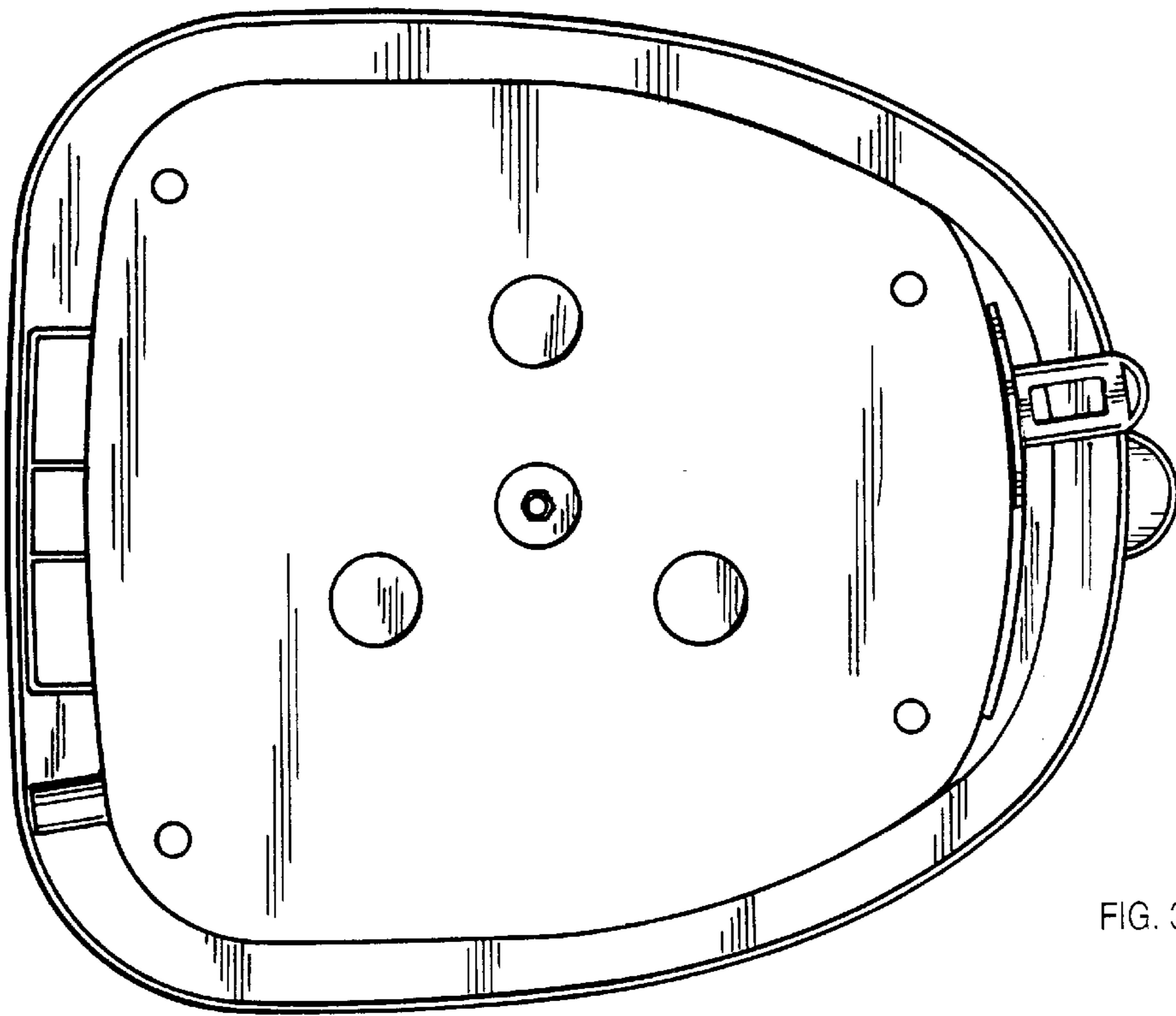


FIG. 3

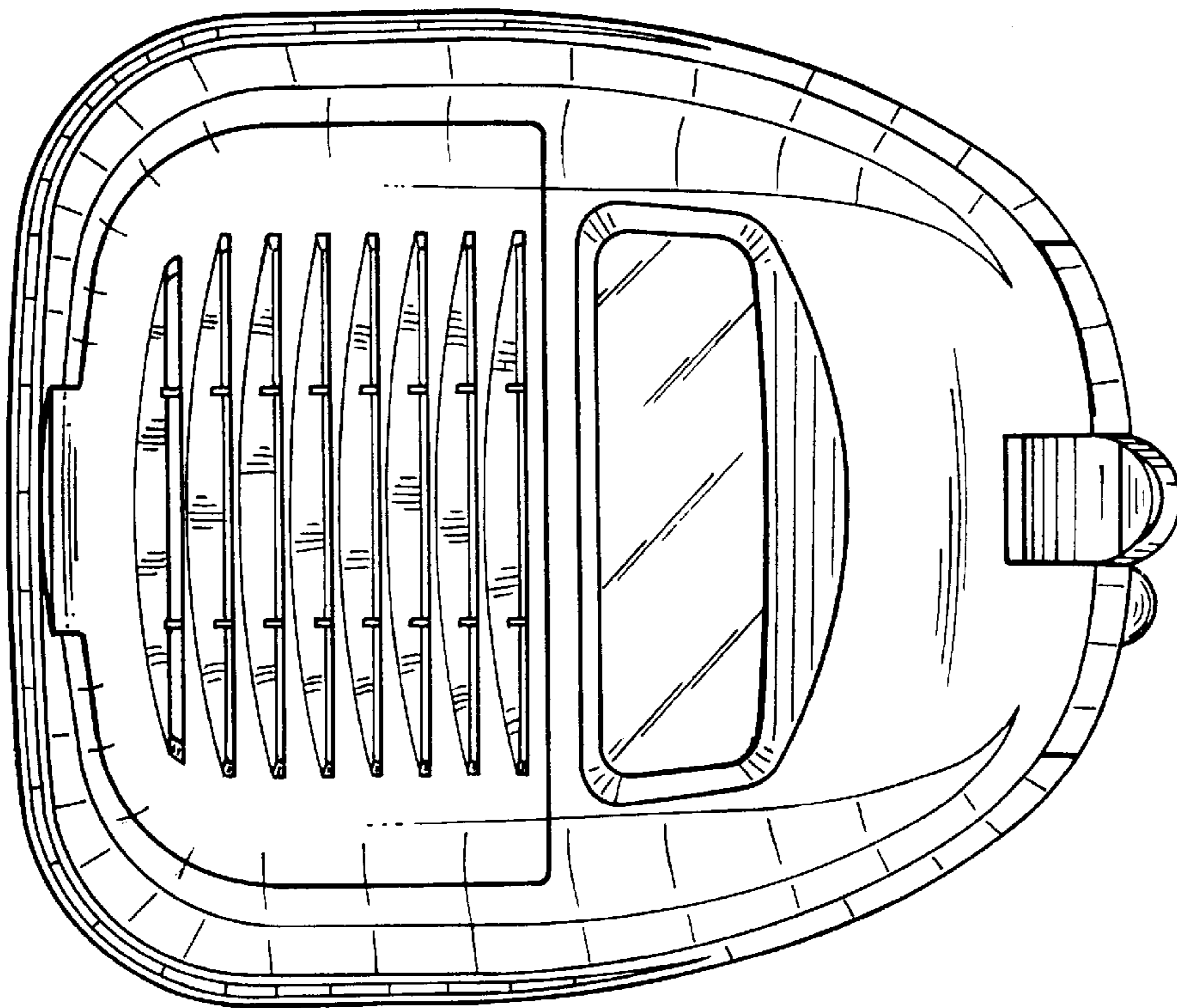


FIG. 4

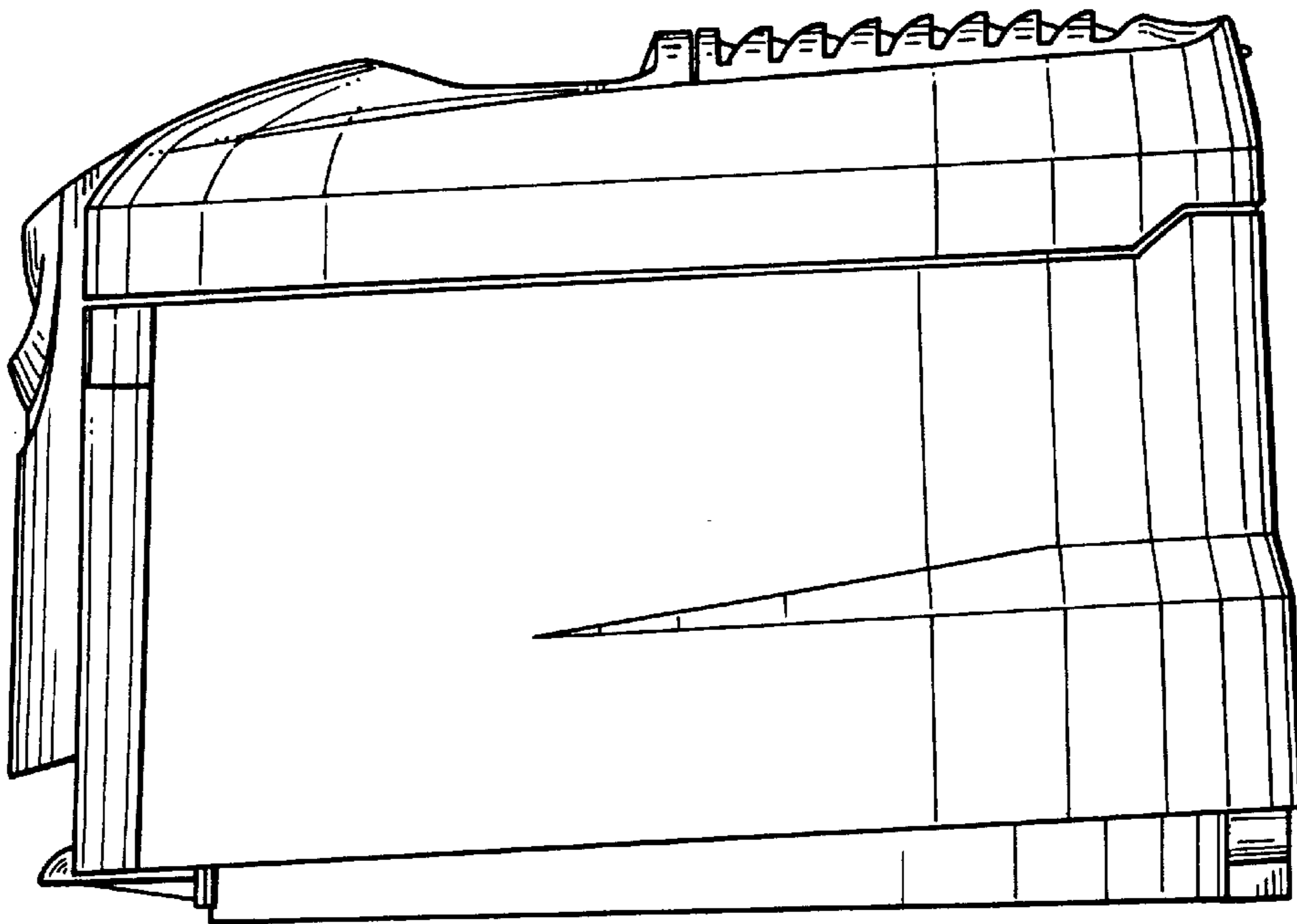


FIG. 5

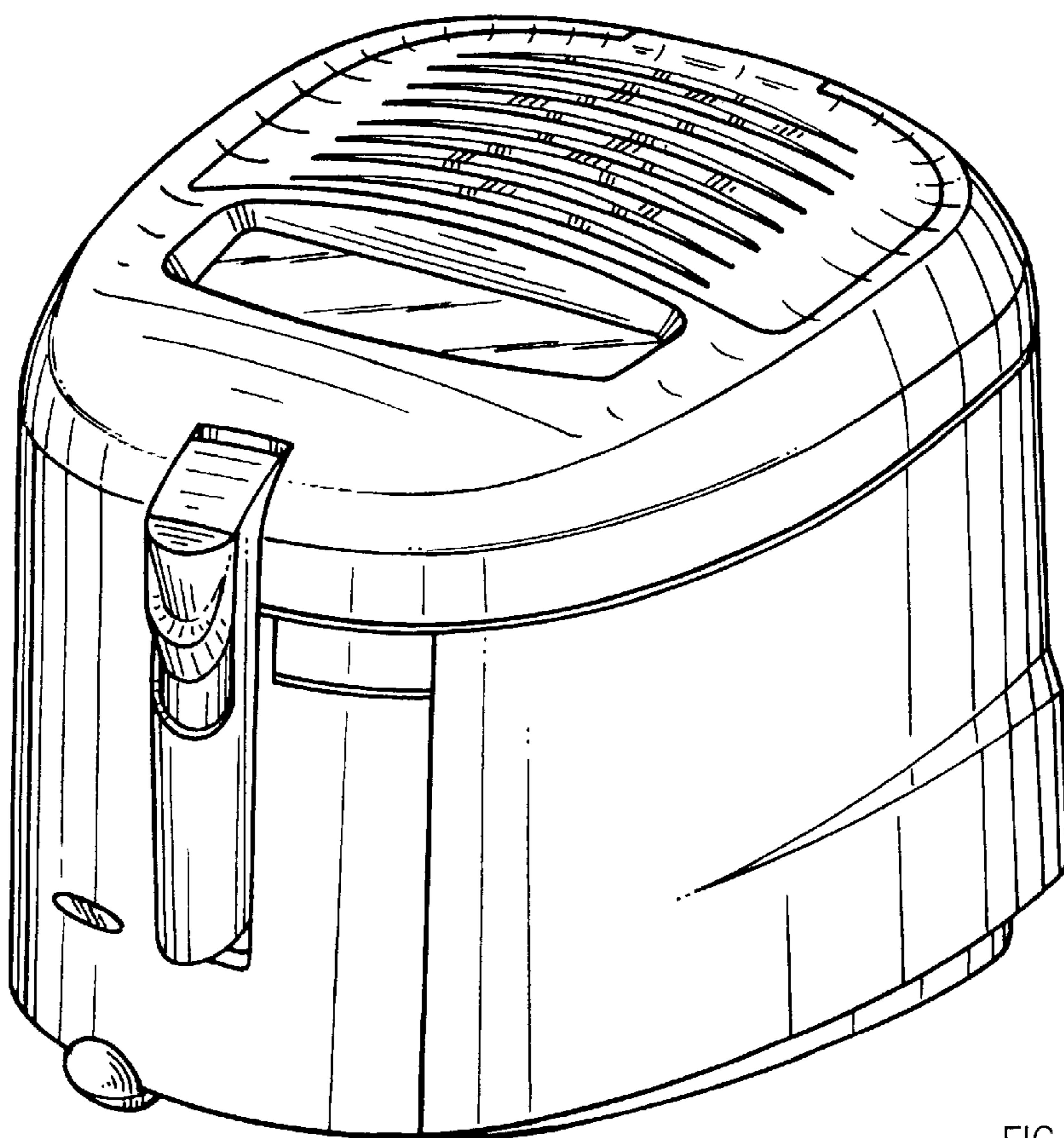


FIG. 6