



US00D414071S

United States Patent [19]

[11] Patent Number: **Des. 414,071**

Mork et al.

[45] Date of Patent: **** Sep. 21, 1999**

[54] **CARAFE**

[75] Inventors: **Steve O. Mork**, Lowell, Mich.; **Ronald J. Vish**, Somerville, Mass.

[73] Assignee: **Amway Corporation**, Ada, Mich.

[**] Term: **14 Years**

[21] Appl. No.: **29/097,350**

[22] Filed: **Dec. 4, 1998**

[51] **LOC (6) Cl.** **07-01**

[52] **U.S. Cl.** **D7/319; D7/318**

[58] **Field of Search** D7/316, 317, 319, D7/318, 312, 305, 321, 322; 222/465.1, 475.1, 472; 99/295

[56] **References Cited**

U.S. PATENT DOCUMENTS

D. 134,876	1/1943	Schneider .	
D. 186,182	9/1959	Wickenberg .	
D. 193,523	9/1962	Douglas .	
D. 194,622	2/1963	Swett	D7/319
D. 207,497	4/1967	Scavullo	D7/319
D. 219,056	10/1970	Gibson .	
D. 225,365	12/1972	Beckman .	
D. 228,053	8/1973	Knox .	
D. 233,974	12/1974	Kiernan .	
D. 241,400	9/1976	Painter	D7/318
D. 241,401	9/1976	Painter .	
D. 266,978	11/1982	Huisman	D7/309
D. 286,732	11/1986	Darnell	D7/319
D. 292,664	11/1987	Zimmermann	D7/317
D. 322,007	12/1991	Adams et al.	D7/317
D. 326,206	5/1992	Rakocy et al.	D7/317
D. 346,525	5/1994	Littmann	D7/317
D. 354,879	1/1995	Ullmann	D7/317
D. 355,329	2/1995	Ullmann	D7/317
D. 356,712	3/1995	Brady	D7/309

D. 367,798	3/1996	Storsberg	D7/309
D. 369,058	4/1996	Simmons	D7/319
D. 369,268	4/1996	Assmann et al.	D7/309
D. 371,271	7/1996	Seiffert et al.	D7/309
D. 375,016	10/1996	Ullmann	D7/317
D. 378,722	4/1997	Brady	D7/319
D. 386,934	12/1997	Huang	D7/319
D. 387,946	12/1997	Hippen	D7/309
D. 389,005	1/1998	Brady	D7/319
D. 389,369	1/1998	Hippen	D7/319
D. 390,409	2/1998	Littman	D7/309
D. 393,174	4/1998	Mork et al.	D7/318
D. 394,981	6/1998	Huang	D7/319
D. 394,982	6/1998	Huang	D7/319
3,114,484	12/1963	Serio .	
3,321,115	5/1967	Rendahl .	
4,251,004	2/1981	Sun	220/4 A
4,703,871	11/1987	Broker	222/465.1 X
4,825,757	5/1989	Stoner	99/279
4,833,978	5/1989	Martone et al.	99/280
5,379,925	1/1995	Mothrath et al.	222/475.1
5,503,060	4/1996	Morecroft et al.	99/295

Primary Examiner—M. N. Pandozzi
Attorney, Agent, or Firm—Warner Norcross & Judd LLP

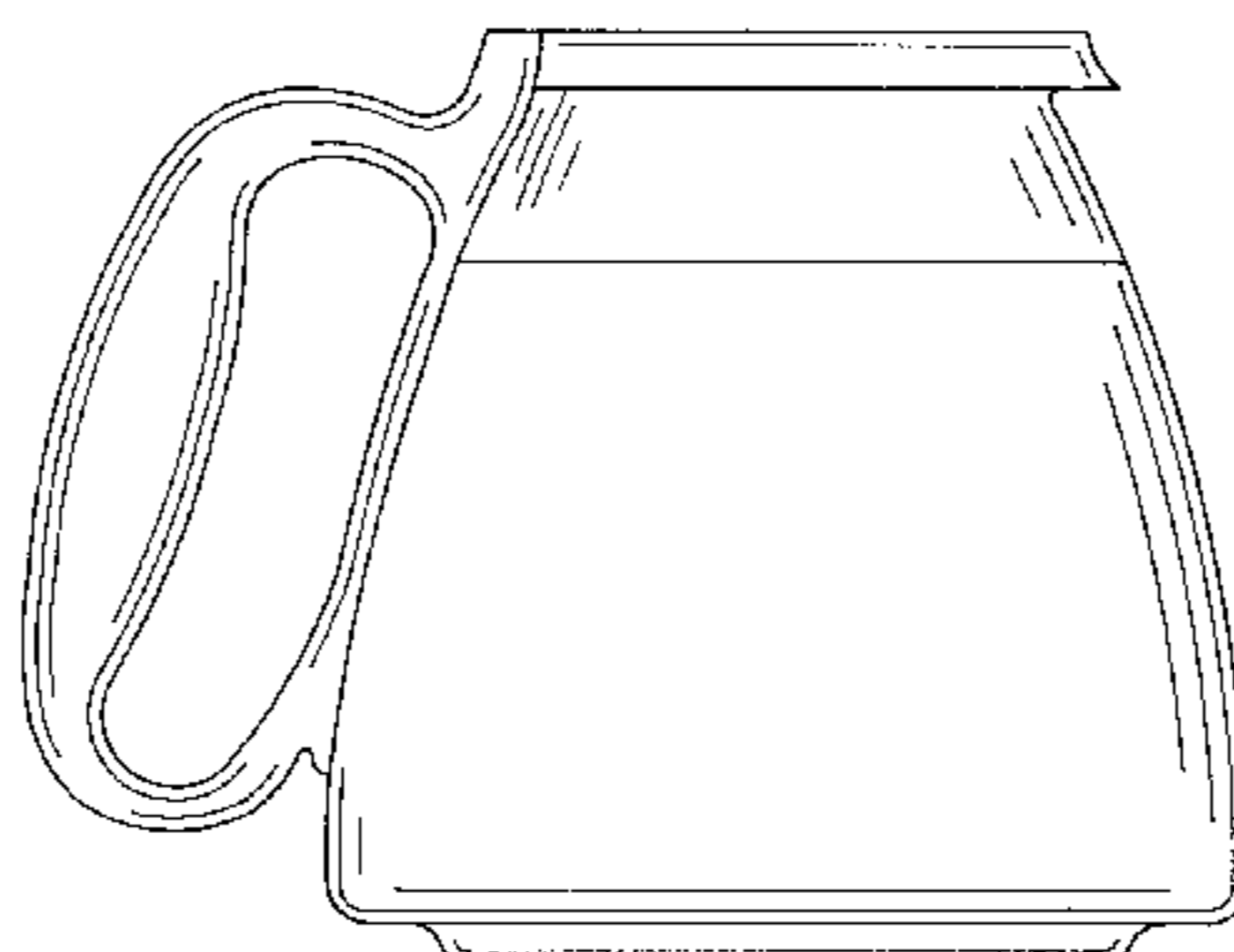
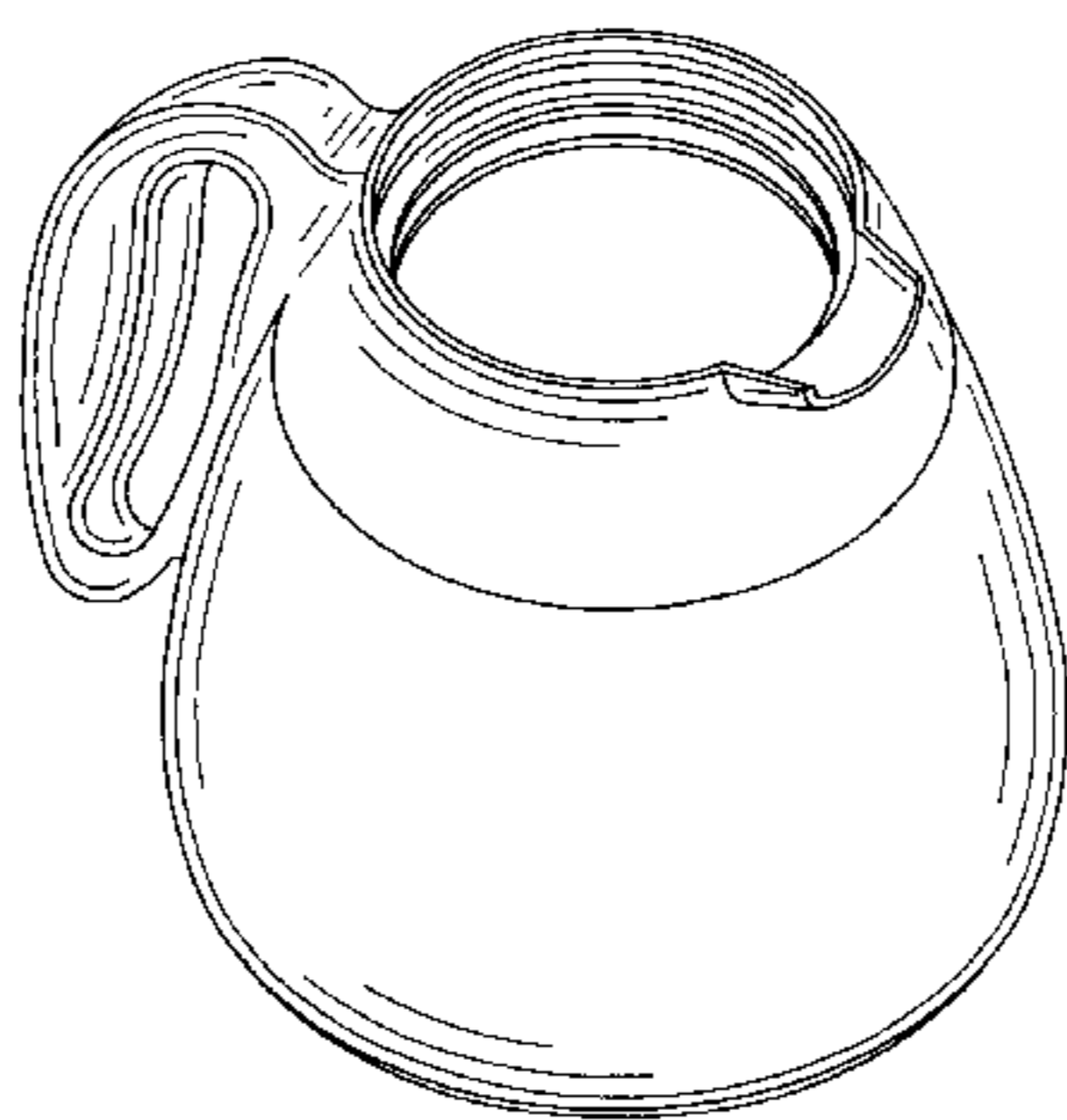
[57] **CLAIM**

The ornamental design for carafe, as shown and described.

DESCRIPTION

FIG. 1 is a top perspective view of the carafe embodying the new design;
FIG. 2 is a bottom perspective view thereof;
FIG. 3 is a front elevational view thereof;
FIG. 4 is a left side elevational view thereof;
FIG. 5 is a right side elevational view thereof;
FIG. 6 is a rear elevational view thereof;
FIG. 7 is a bottom plan view thereof; and,
FIG. 8 is a top plan view thereof.

1 Claim, 3 Drawing Sheets



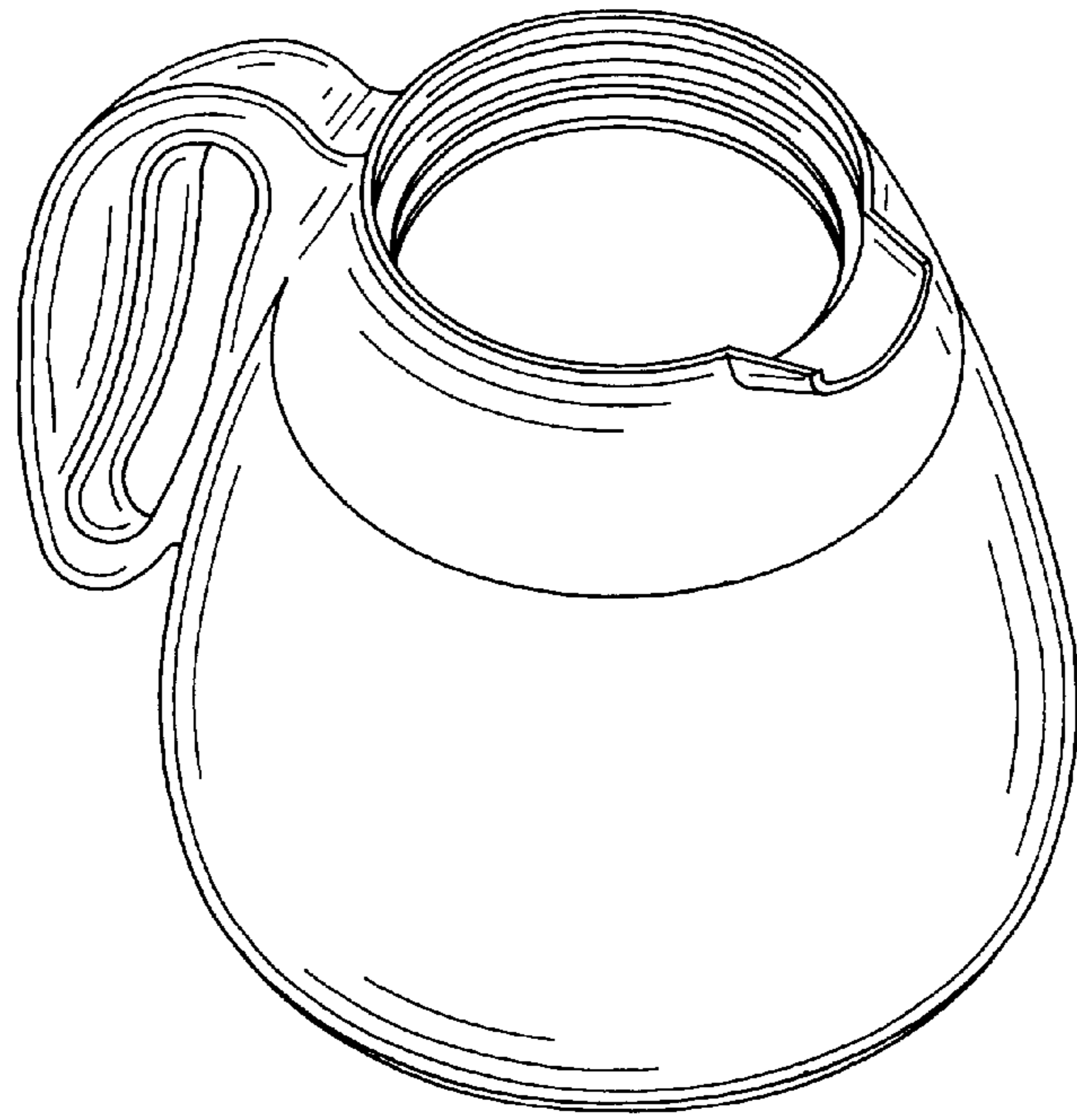


FIG. 1

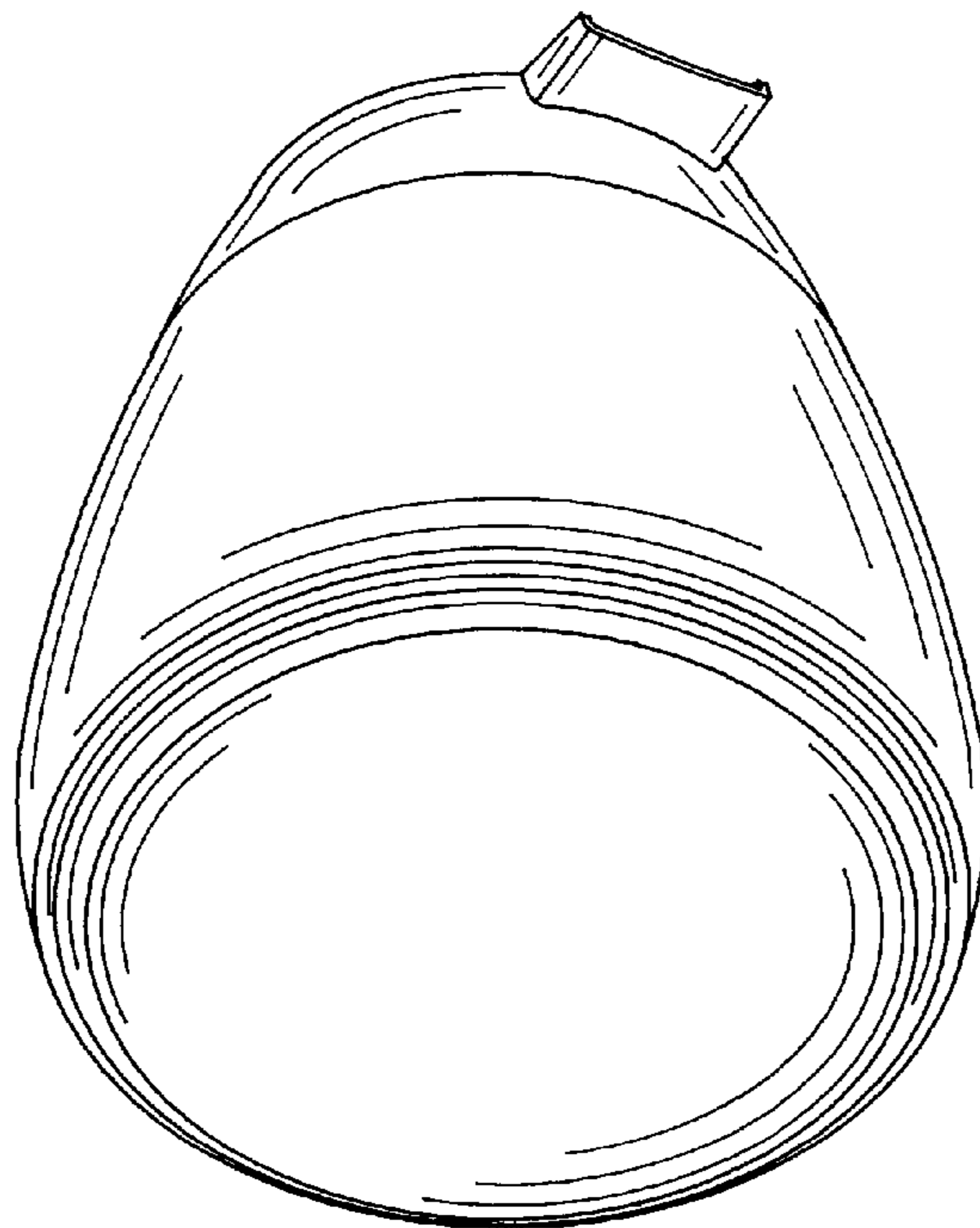


FIG. 2

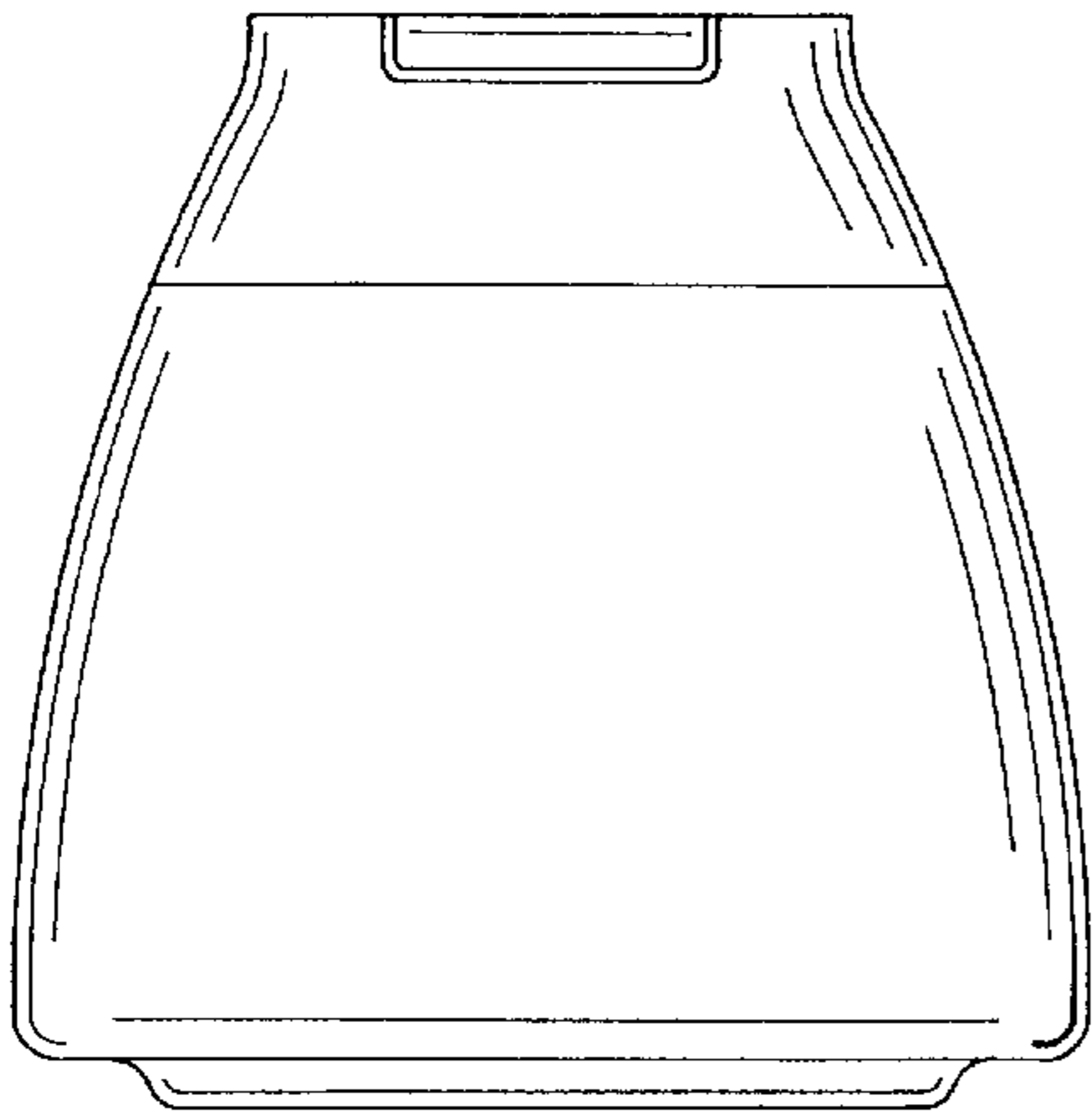


FIG. 3

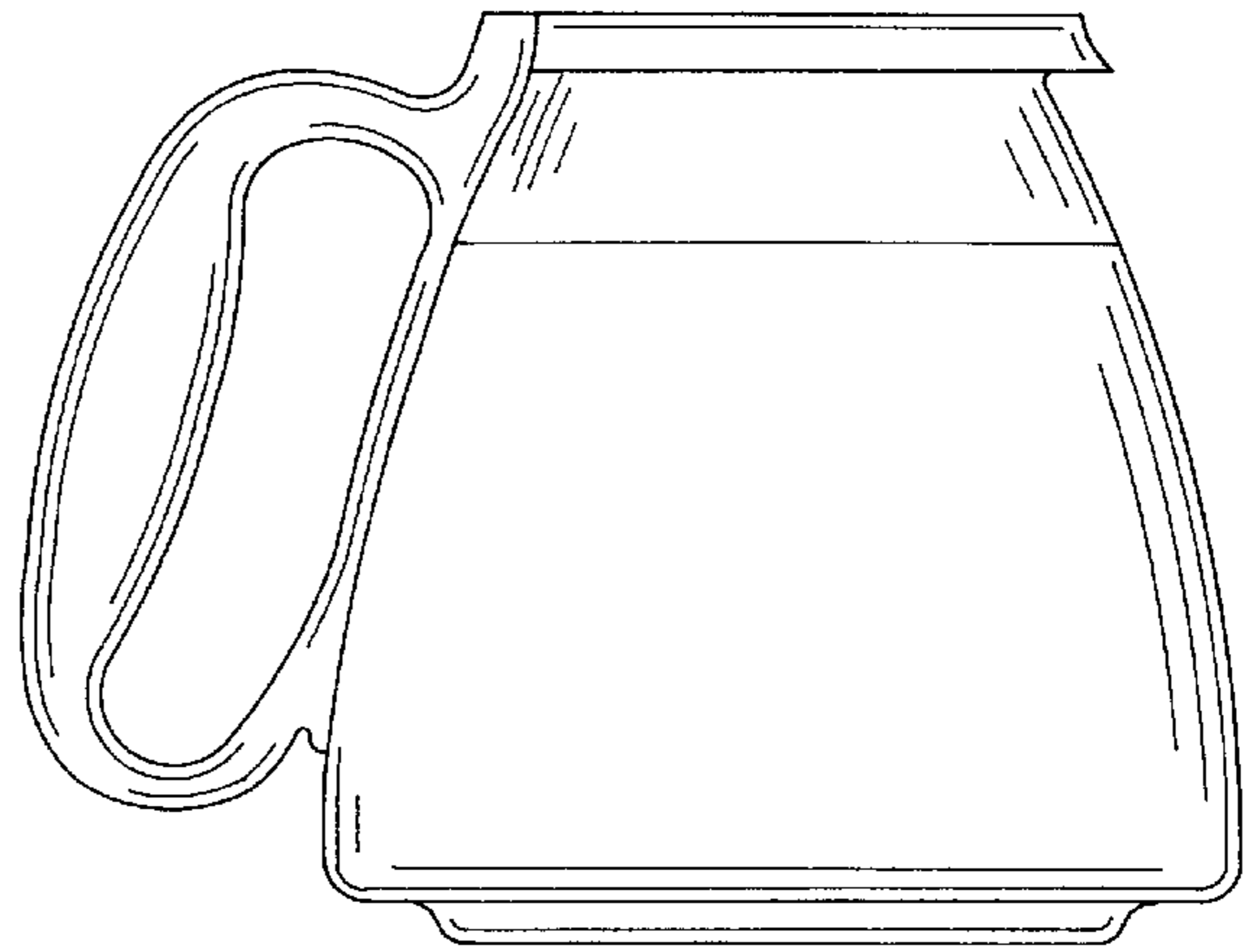


FIG. 4

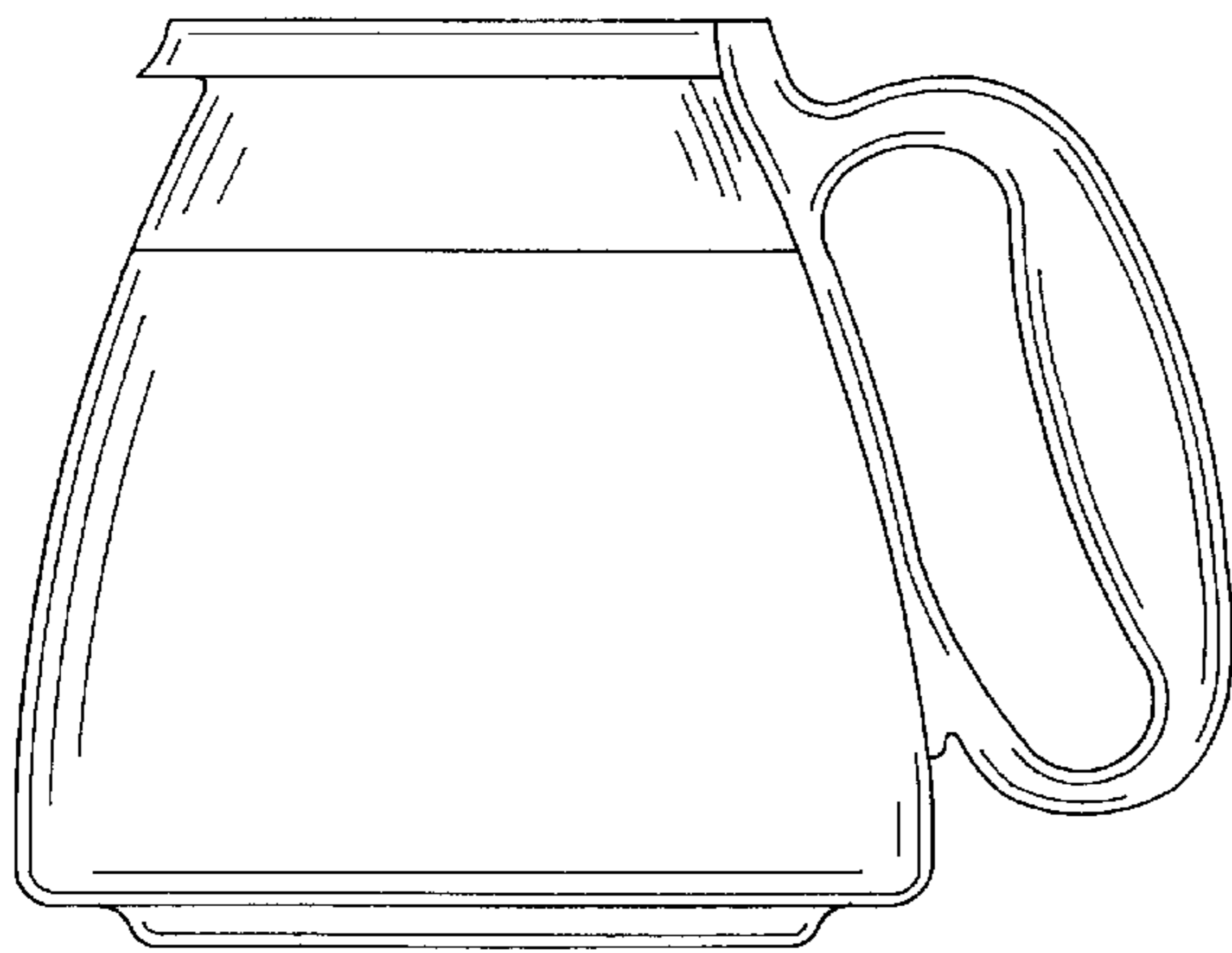


FIG. 5

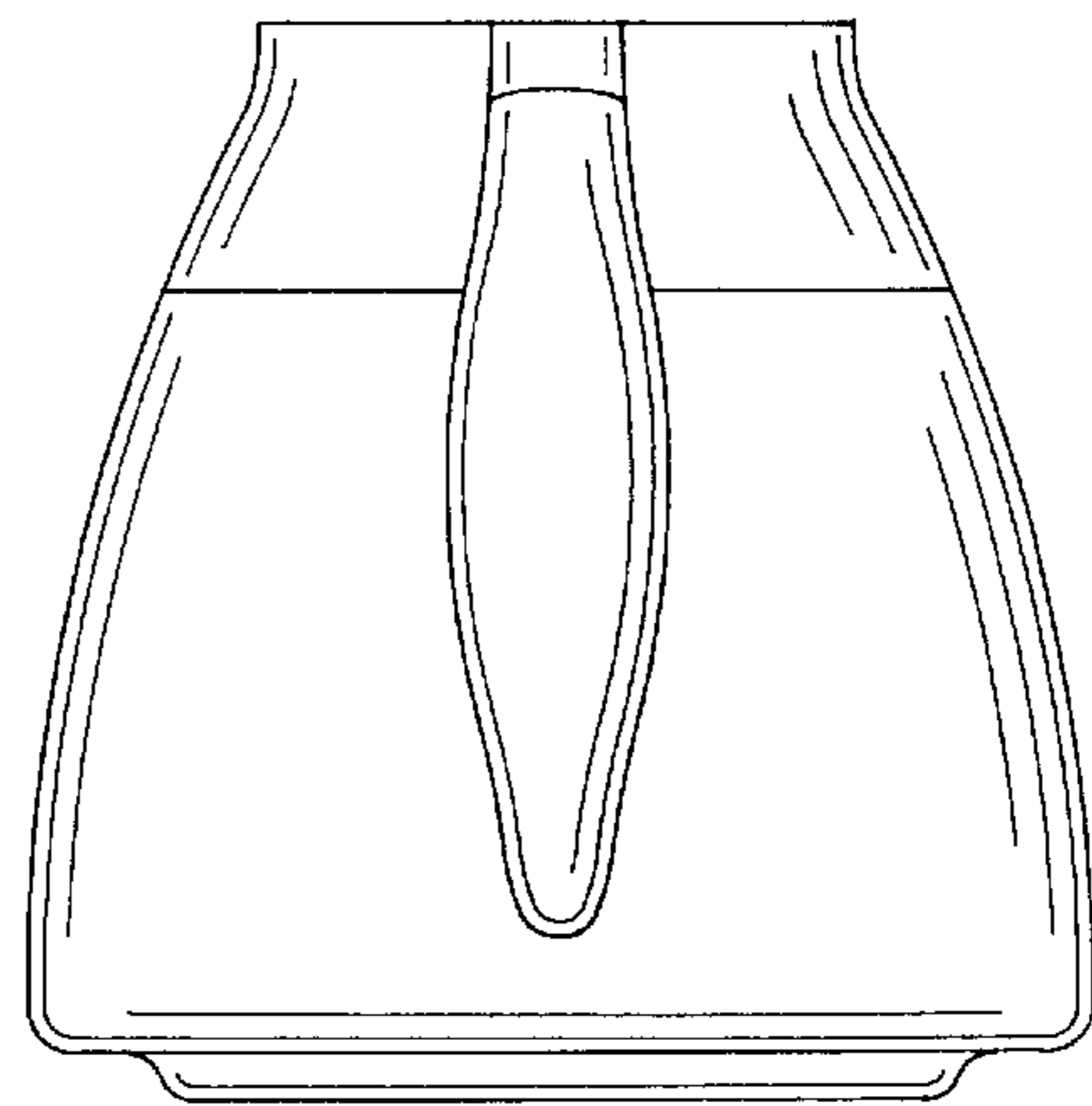


FIG. 6

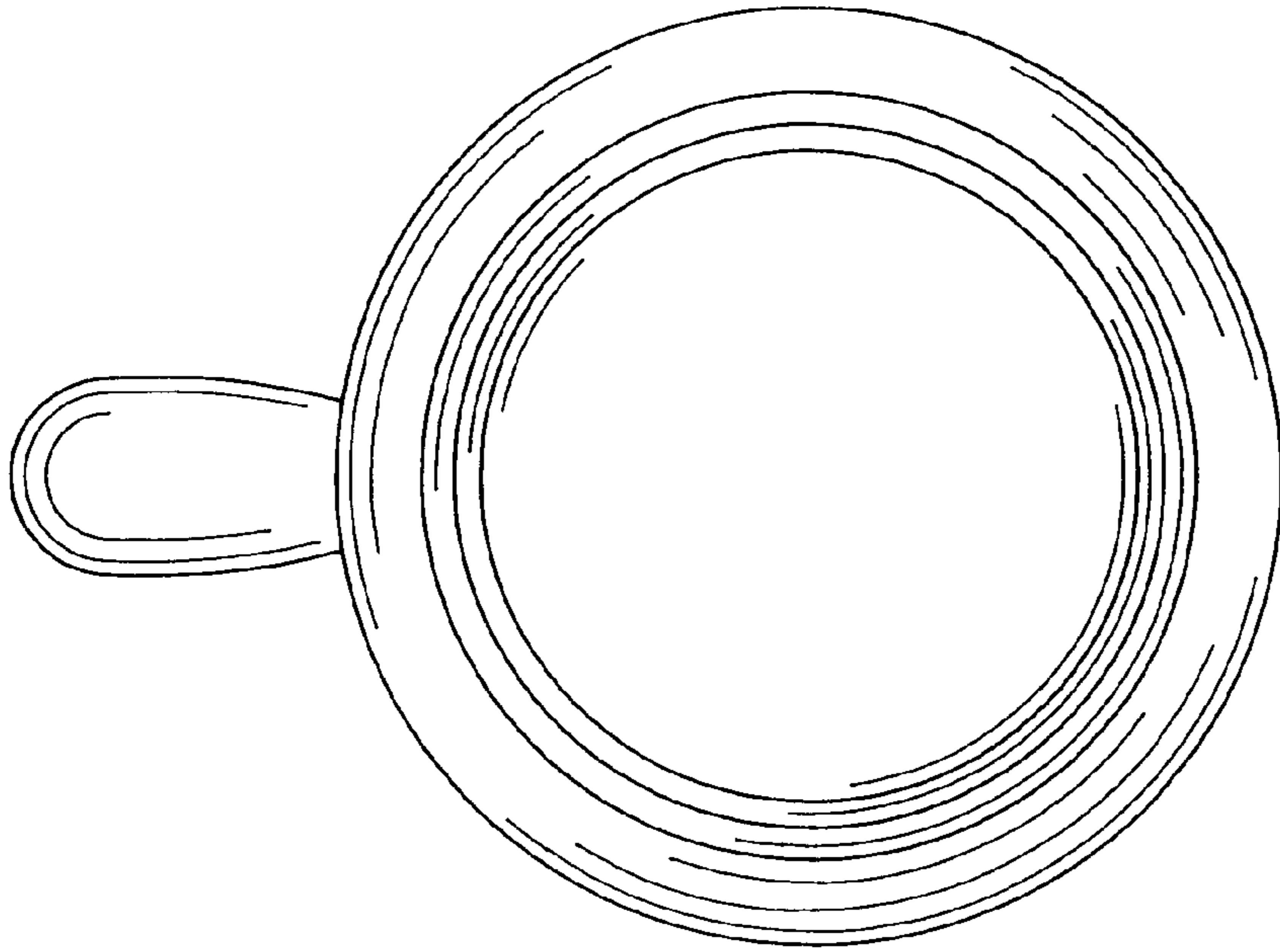


FIG. 7

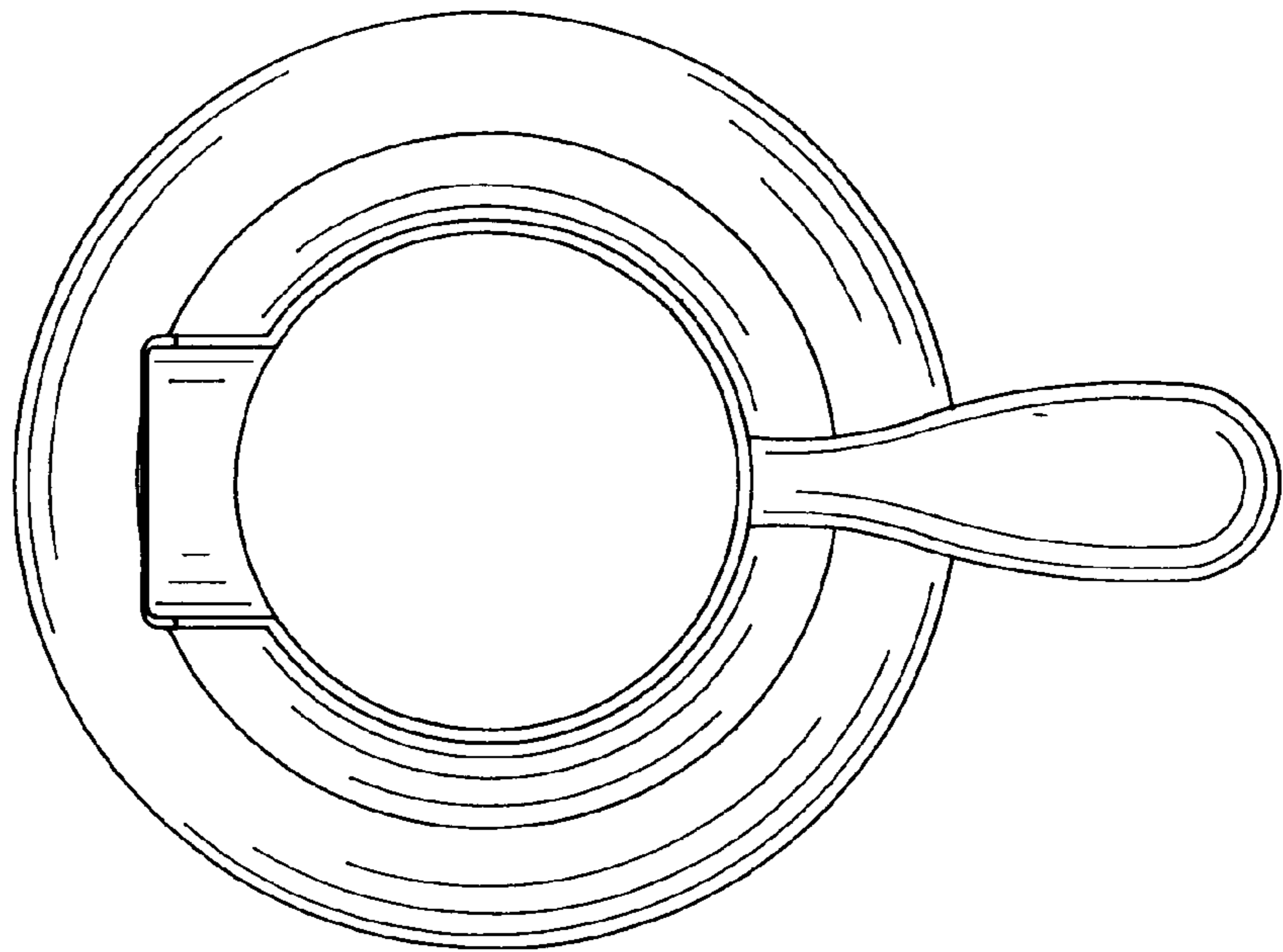


FIG. 8