



US00D414069S

# United States Patent [19] Fok

[11] Patent Number: Des. 414,069

[45] Date of Patent: \*\* Sep. 21, 1999

[54] CD TROLLEY

3,888,353 6/1975 Leifheit ..... 211/37  
4,688,687 8/1987 Pryor ..... 211/37

[75] Inventor: **Chin To Fok**, Shatin, The Hong Kong Special Administrative Region of the People's Republic of China

Primary Examiner—Jeffrey Asch  
Attorney, Agent, or Firm—Michael J. Brown

[73] Assignee: **Sunhing Millennium Limited**, Kowloon, The Hong Kong Special Administrative Region of the People's Republic of China

### [57] CLAIM

The ornamental design for the CD trolley, as shown and described.

[\*\*] Term: 14 Years

### DESCRIPTION

[21] Appl. No.: 29/086,267

FIG. 1 is a front perspective view of the new ornamental CD trolley of the present invention.

[22] Filed: Apr. 9, 1998

FIG. 2 is a front view of the new ornamental CD trolley shown in FIG. 1.

[51] LOC (6) Cl. .... 06-04

[52] U.S. Cl. .... D6/630; D6/464; D34/21

[58] Field of Search ..... D6/407, 411, 626-630, D6/462-468, 410; D34/17, 21; 312/9.1-9.64; D32/55, 58; 211/40, 41.1, 41.2, 41.3, 41.4, 42, 41.12, 34, 41.18, 37; 206/307.1, 307, 308.1, 445, 387.15, 454, 387.1

FIG. 3 is a rear view of the new ornamental CD trolley shown in FIG. 1.

FIG. 4 is a right side view of the new ornamental CD trolley shown in FIG. 1.

FIG. 5 is a left side view of the new ornamental CD trolley shown in FIG. 1.

FIG. 6 is a top view of the new ornamental CD trolley shown in FIG. 1.

FIG. 7 is a bottom view of the new ornamental CD trolley shown in FIG. 1.

FIG. 8 is a front perspective view of the new ornamental CD trolley of the present invention, showing two foot elements in an alternate position.

FIG. 9 is a left side view of the new ornamental CD trolley as shown in FIG. 8.

FIG. 10 is a top view of the new ornamental CD trolley as shown in FIG. 8; and,

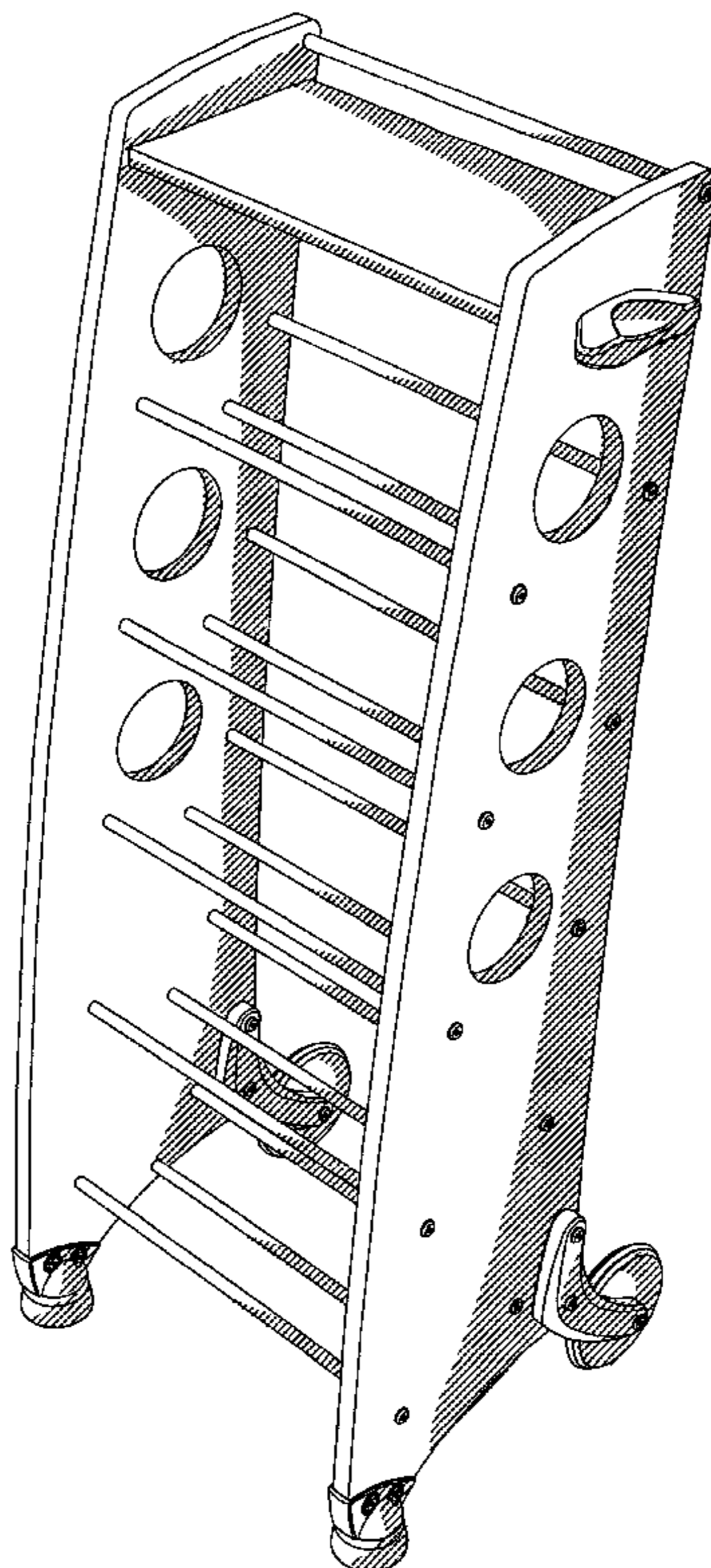
FIG. 11 is a bottom view of the new ornamental CD trolley as shown in FIG. 8.

### [56] References Cited

#### U.S. PATENT DOCUMENTS

D. 212,088	8/1968	Salsgiver	.....	D34/21
D. 285,852	9/1986	Clark	.....	D34/21
D. 309,998	8/1990	Sumrell et al.	.....	D6/407 X
D. 320,515	10/1991	Stston	.....	D6/411
D. 342,171	12/1993	McConnell	.....	D6/464
D. 344,419	2/1994	Stoddard	.....	D34/21
D. 355,795	2/1995	Stravitz	.....	D6/465
542,912	7/1895	Wood	.....	211/41.3
2,152,192	3/1939	Hoffman	.....	211/34

1 Claim, 9 Drawing Sheets



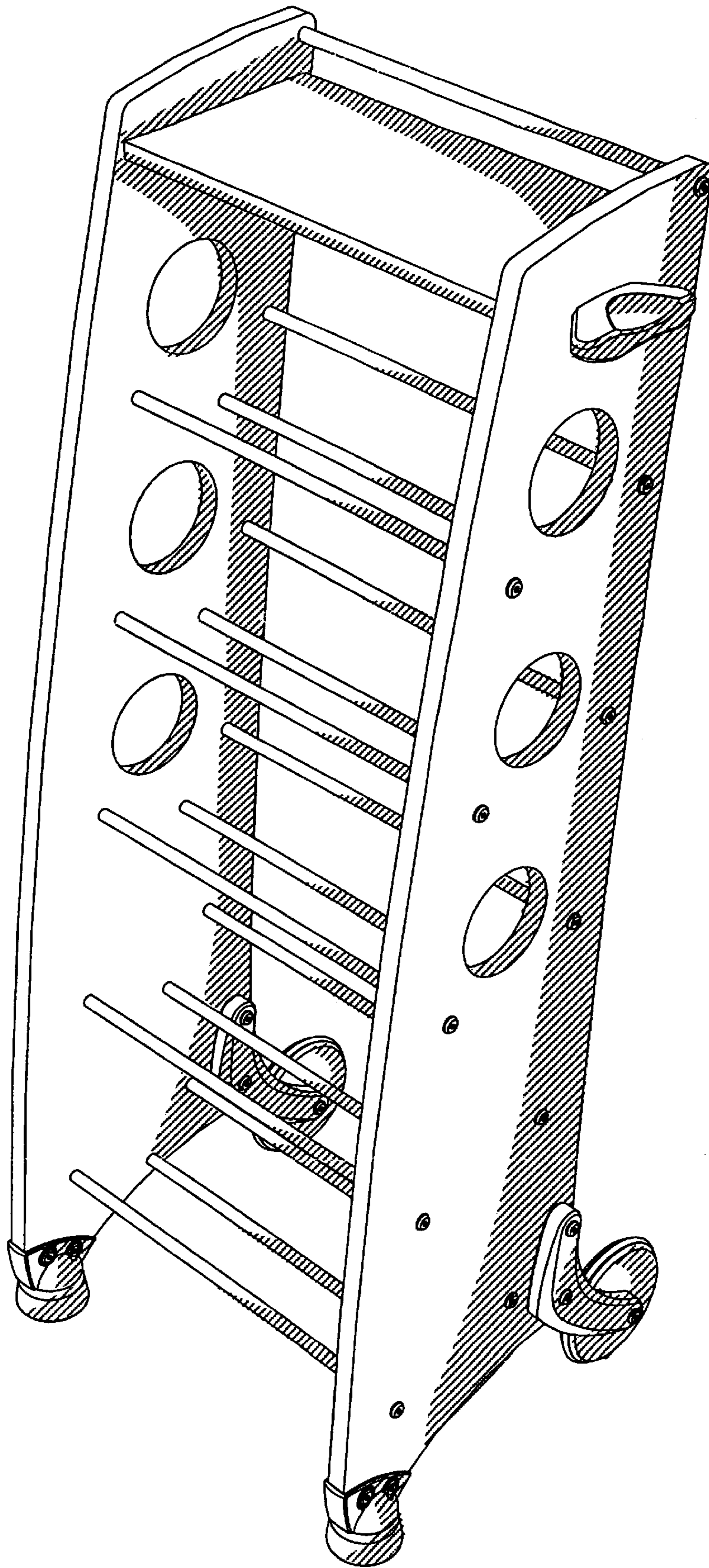


Fig.1

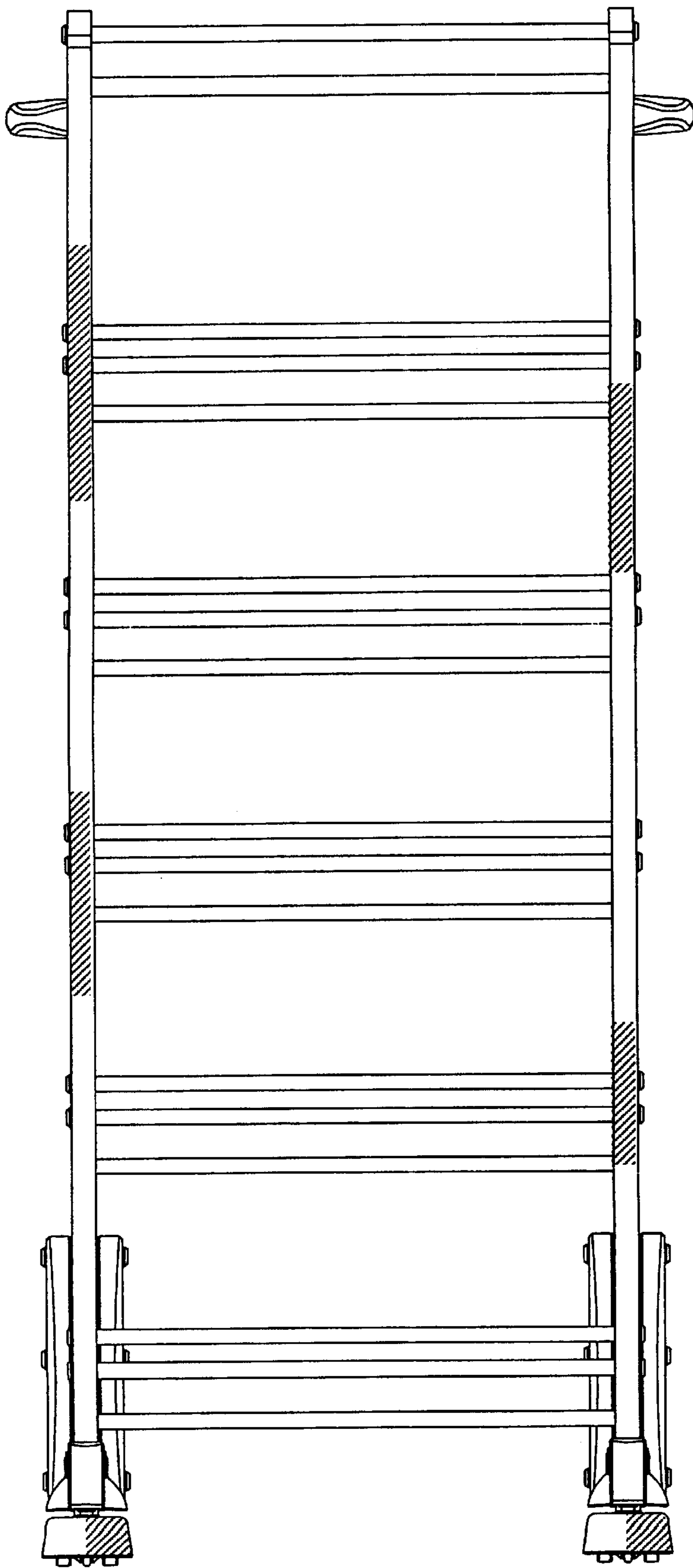


Fig. 2

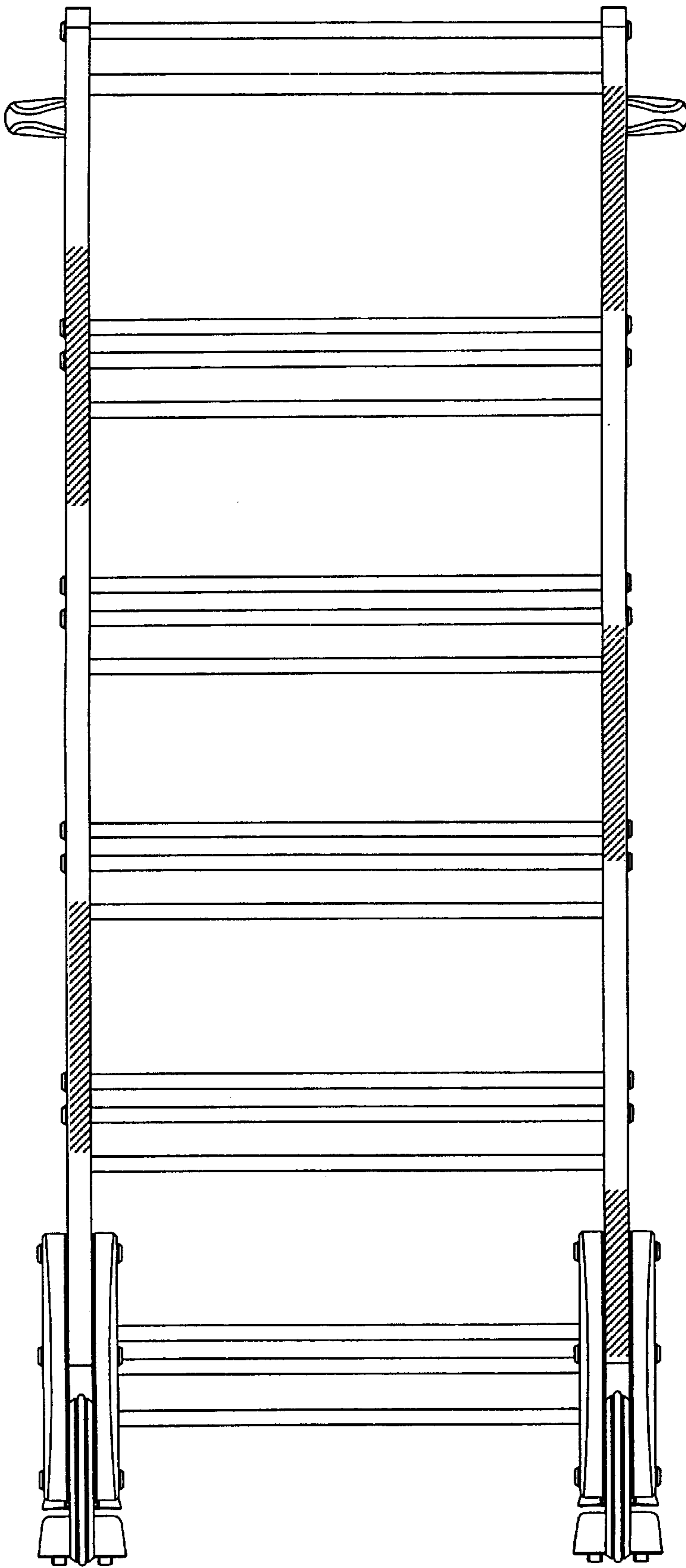


Fig. 3

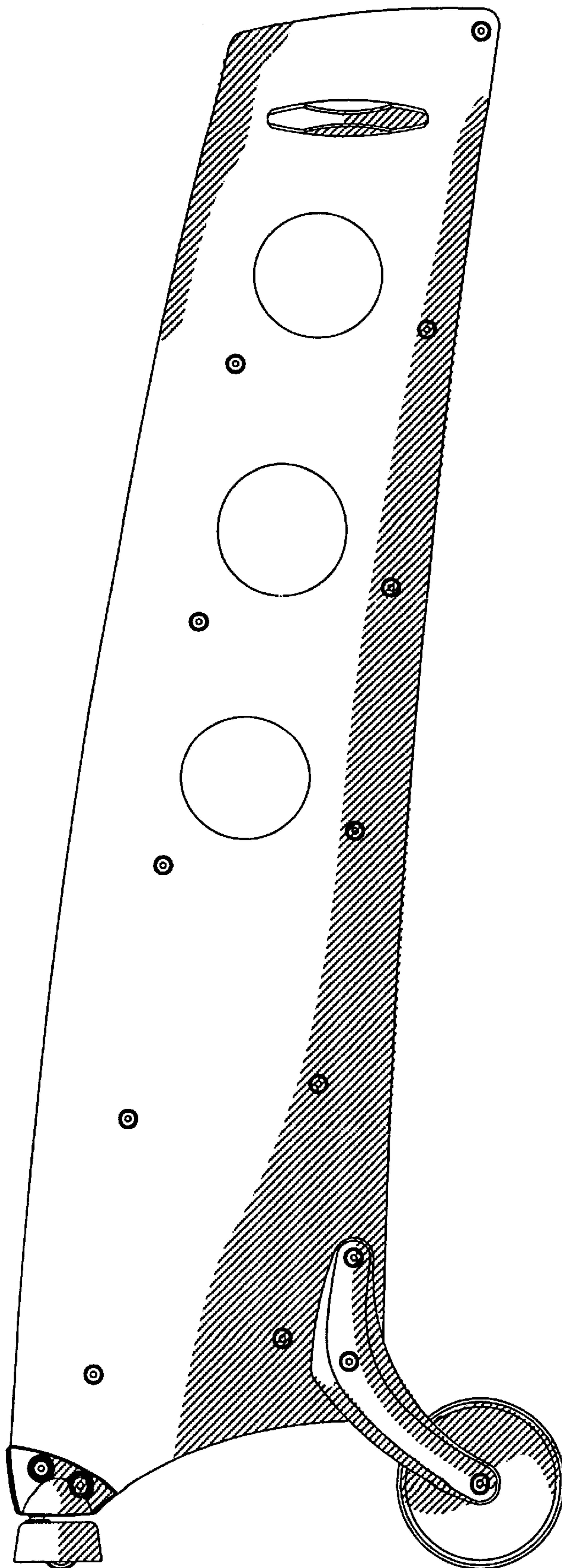


Fig. 4

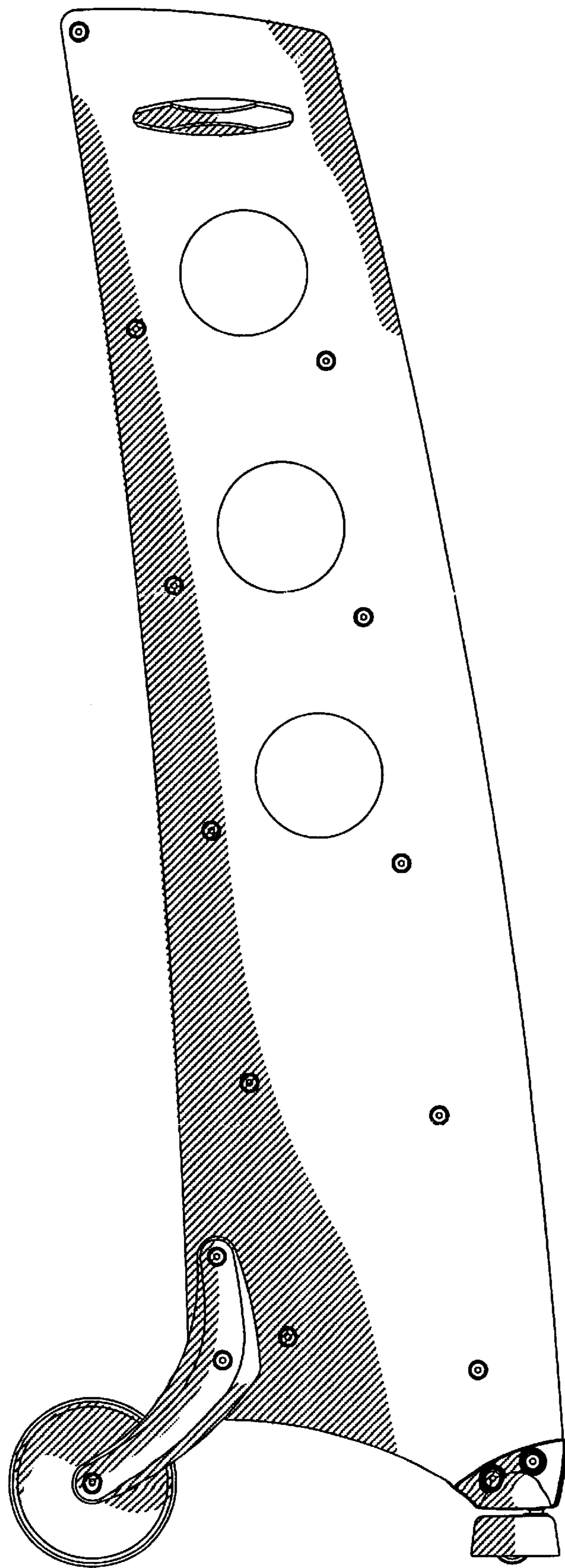


Fig. 5

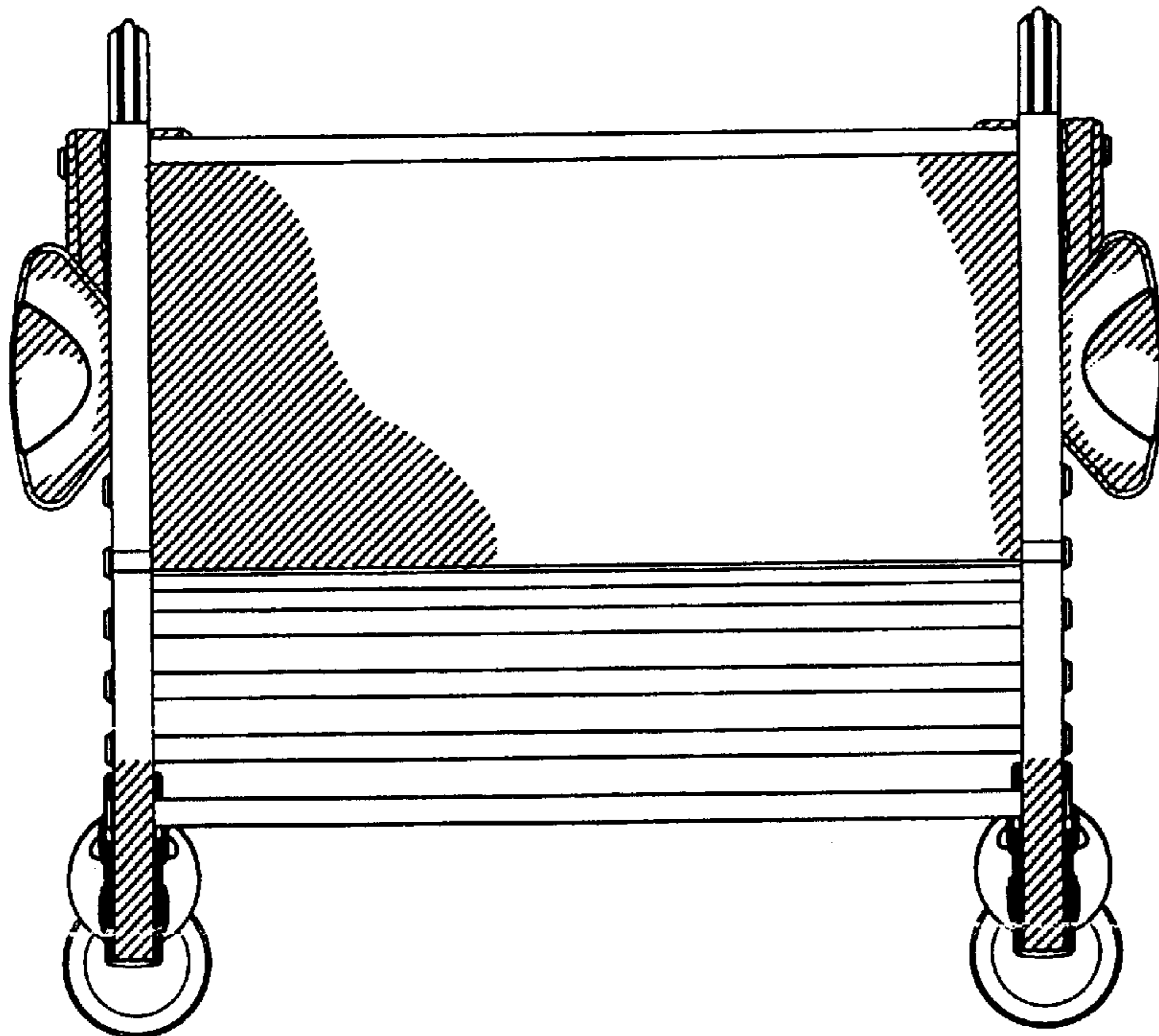


Fig. 6

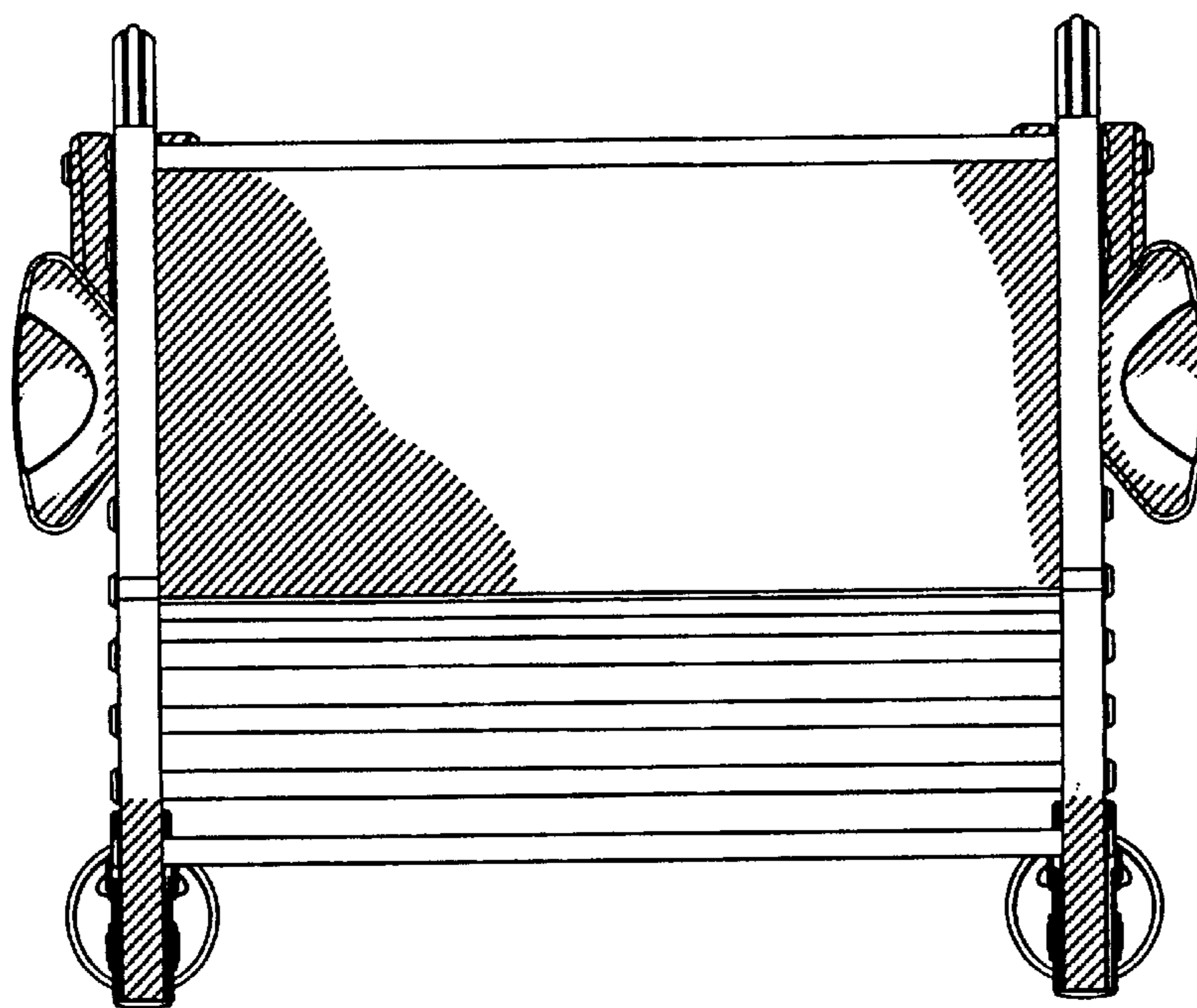


Fig. 10

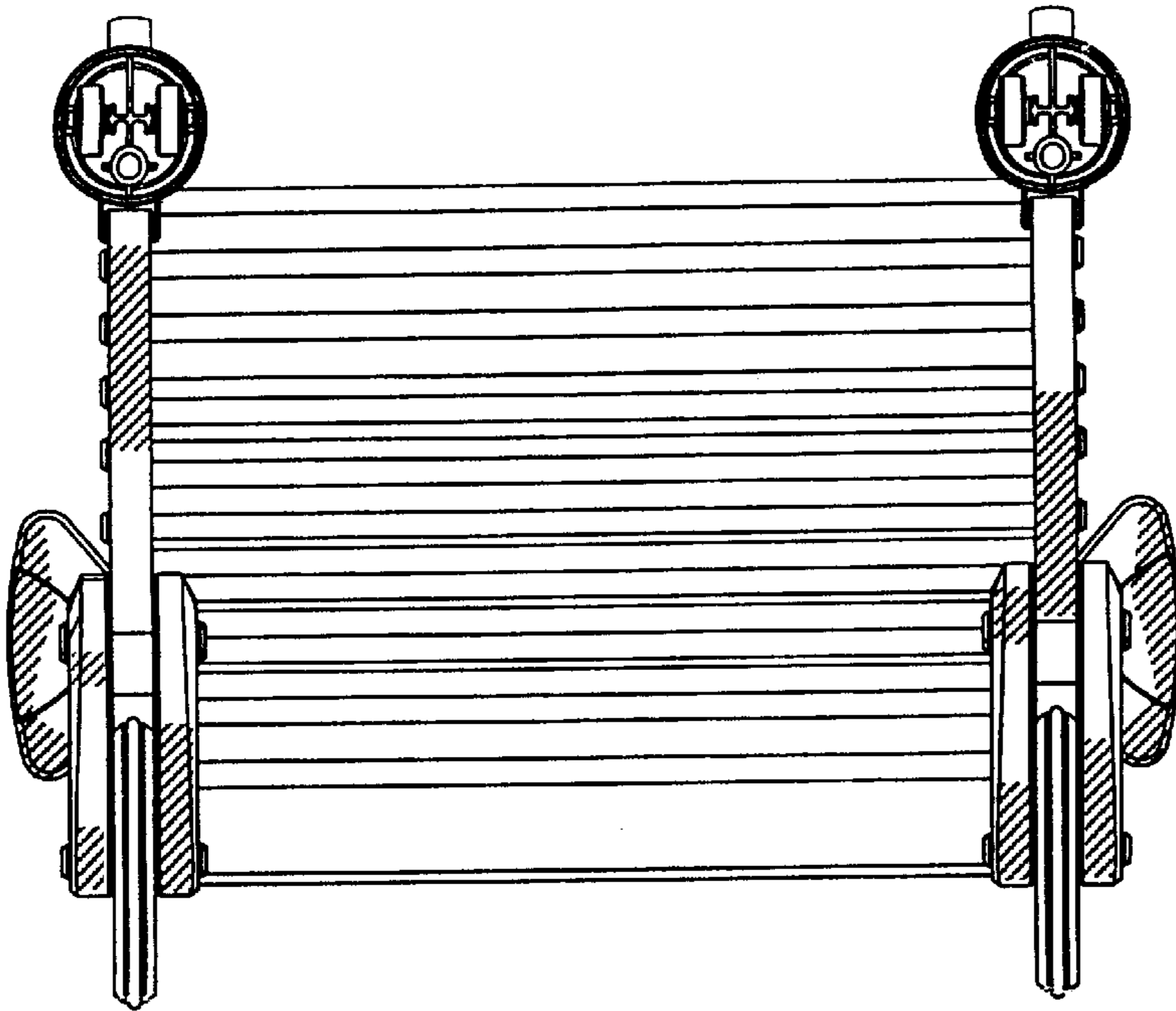


Fig. 7

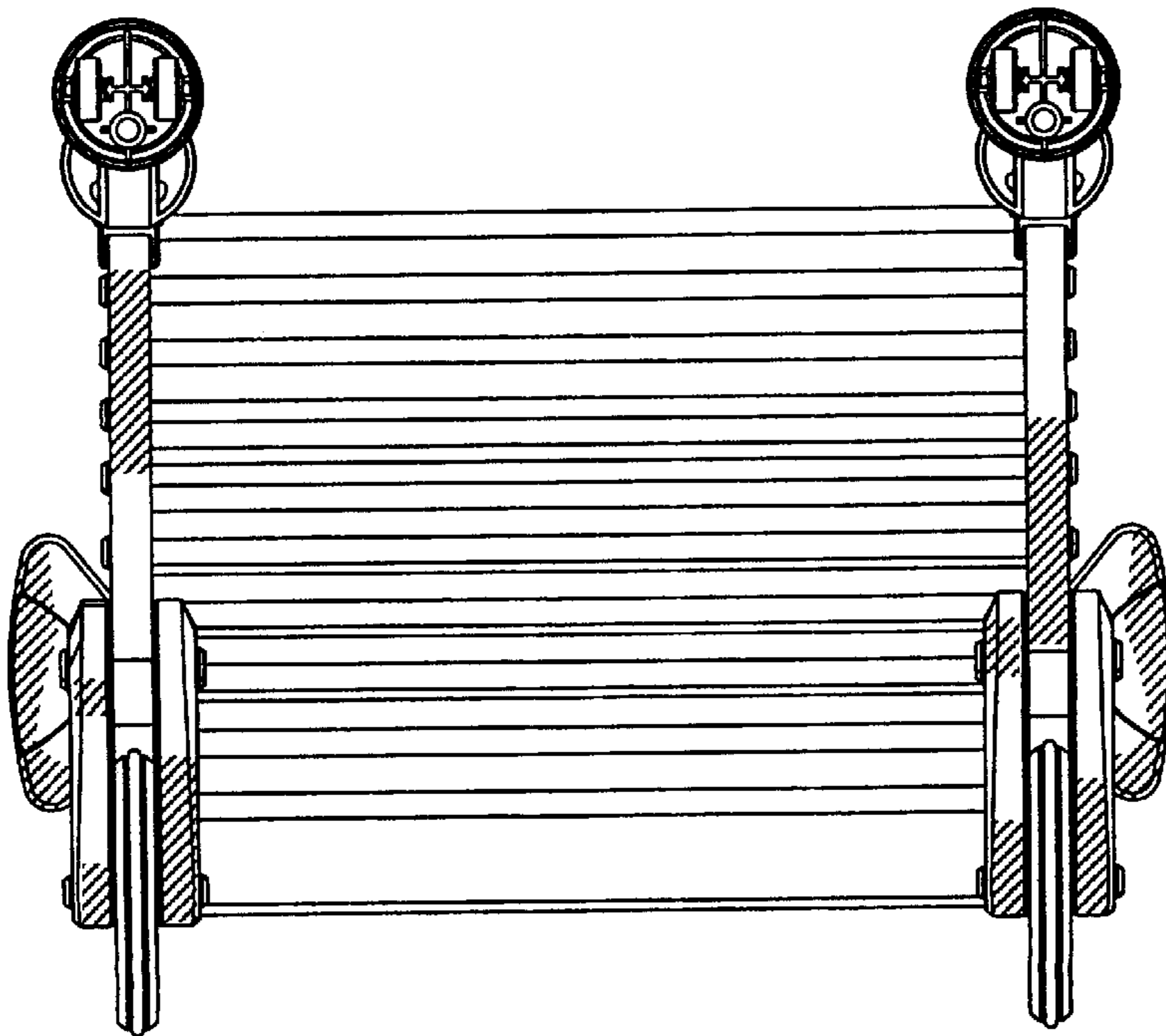


Fig. 11



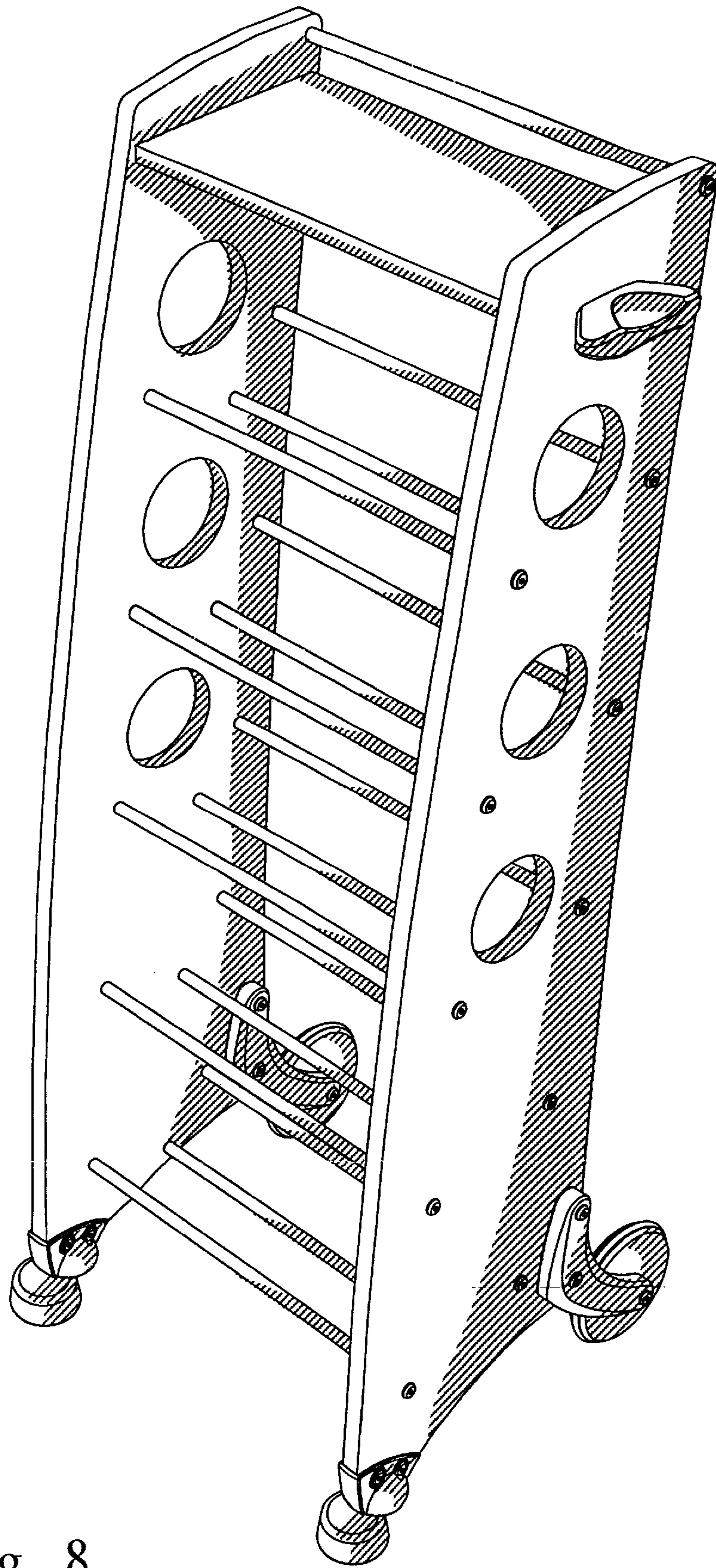


Fig. 8

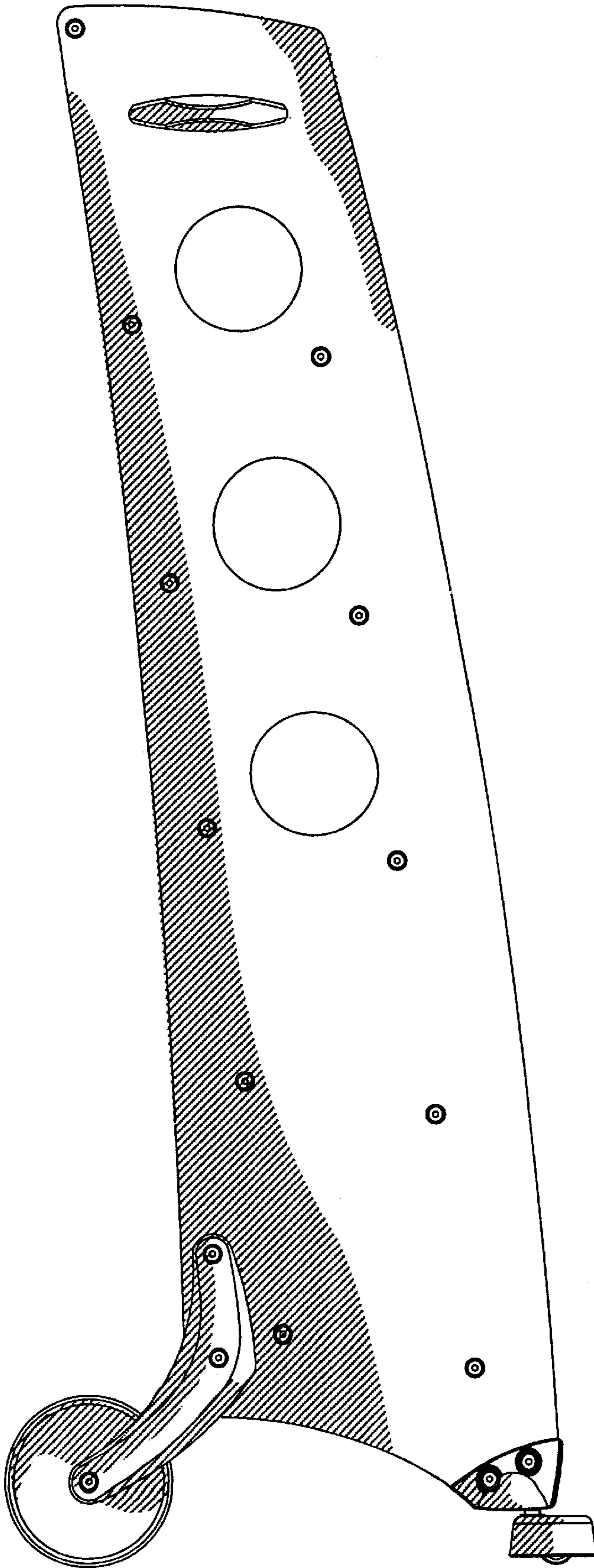


Fig. 9