



US00D414068S

United States Patent [19]

Fells et al.

[11] Patent Number: **Des. 414,068**

[45] Date of Patent: **** Sep. 21, 1999**

[54] **COMPUTER DISK HOLDER**

[75] Inventors: **Brett L. Fells**, Davenport, Iowa; **Linn A. Steinbeck**, Shrewsbury, Mass.

[73] Assignee: **HON Technology Inc.**, Muscatine, Iowa

[**] Term: **14 Years**

[21] Appl. No.: **29/079,983**

[22] Filed: **Nov. 25, 1997**

(Under 37 CFR 1.47)

Related U.S. Application Data

[63] Continuation-in-part of application No. 29/067,343, Feb. 27, 1997, Pat. No. Des. 392,498.

[51] **LOC (6) Cl.** **06-04**

[52] **U.S. Cl.** **D6/629; D6/467**

[58] **Field of Search** D6/407, 626-635, D6/449, 570, 466-468, 475, 476; D32/55-58; D14/114; D19/92; D21/392; 206/308.1, 308.3, 307.1, 387.1, 387.15, 425, 313, 309; 312/9.1-9.64; 211/40, 41.1, 41.3, 41.4, 41.12, 41.2; D7/701

[56] **References Cited**

U.S. PATENT DOCUMENTS

D. 213,737 4/1969 Kohles D19/90

D. 216,605	2/1970	Brindley	D6/467
D. 250,434	11/1978	Ekeland	D6/407
D. 264,358	5/1982	Welteroth	D21/54
D. 273,961	5/1984	Bassey	D21/54 X
D. 280,454	9/1985	Andersson et al.	D32/55
D. 331,166	11/1992	Ohadi	D7/701
D. 374,582	10/1996	Chu	D6/407 X
D. 381,546	7/1997	Hunt	D6/629
D. 392,498	3/1998	Steinbeck	D6/629
4,592,471	6/1986	Bross	211/41.2
5,348,151	9/1994	Dressen	211/41.12 X
5,370,242	12/1994	Huang	206/309
5,632,374	5/1997	Fitzsimmons et al.	211/41.12 X

OTHER PUBLICATIONS

Atlantic Representations Inc. item 1207, Oct. 1993.

Primary Examiner—Jeffrey Asch

Attorney, Agent, or Firm—Jones, Day, Reavis & Pogue

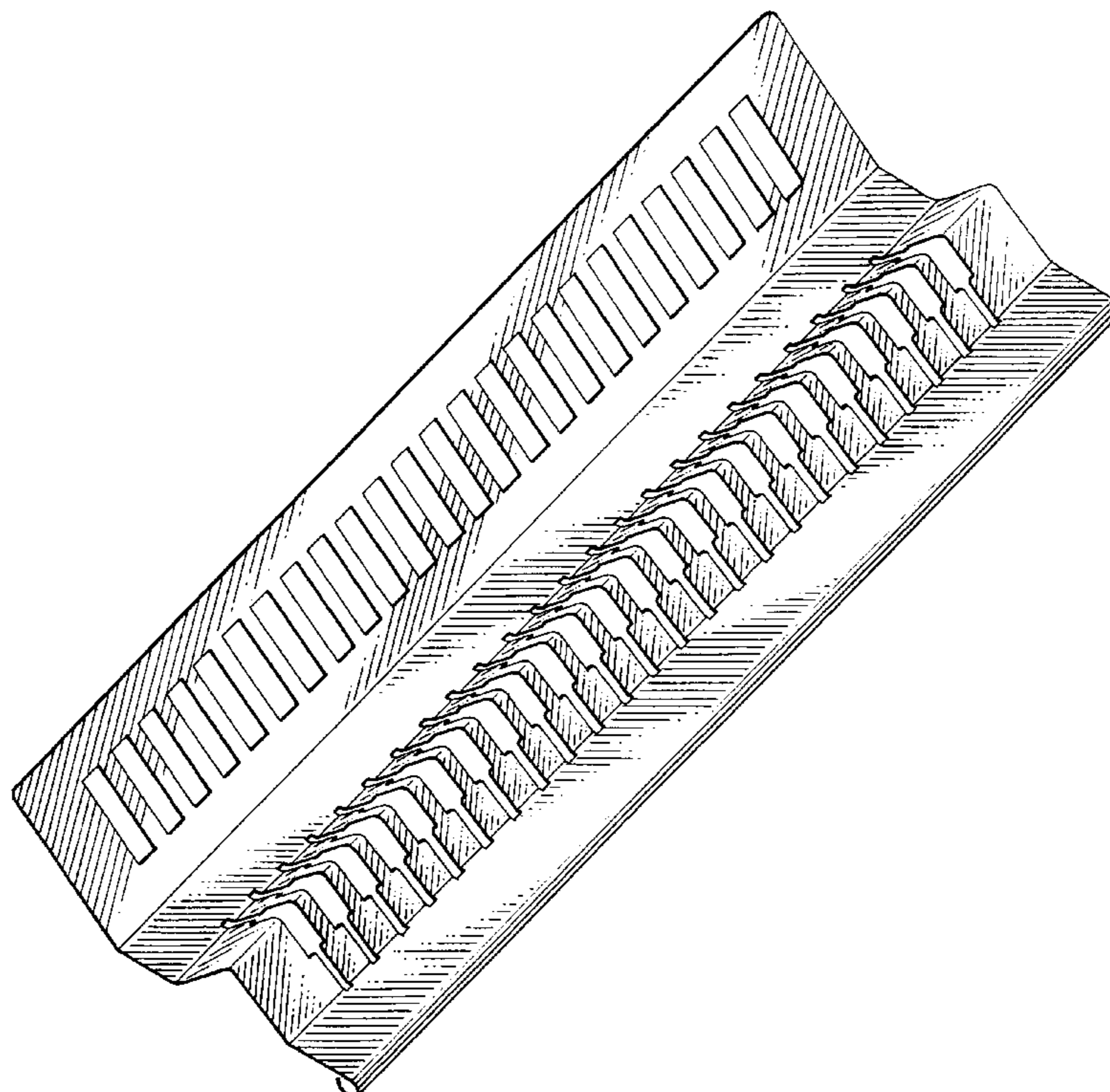
[57] **CLAIM**

The ornamental design for a computer disk holder, as shown and described.

DESCRIPTION

FIG. 1 is a front, left perspective view of a computer disk holder showing our new design; FIG. 2 is a left side elevational view, the opposite side view being the mirror image thereof; FIG. 3 is a fragmentary front elevational view thereof; FIG. 4 is a fragmentary bottom plan view thereof; and, FIG. 5 is a bottom, rear right perspective view thereof.

1 Claim, 2 Drawing Sheets



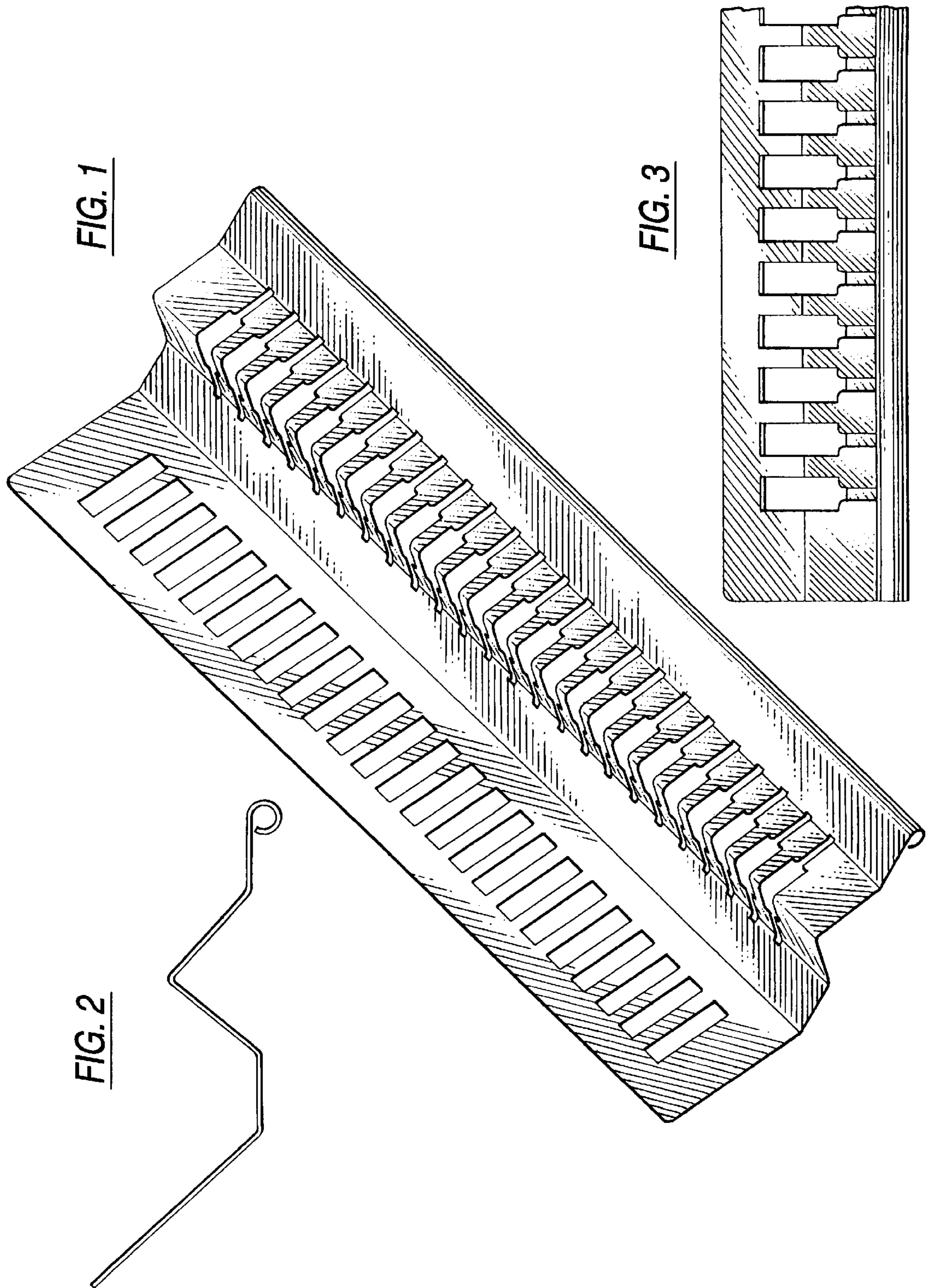


FIG. 1

FIG. 3

FIG. 2

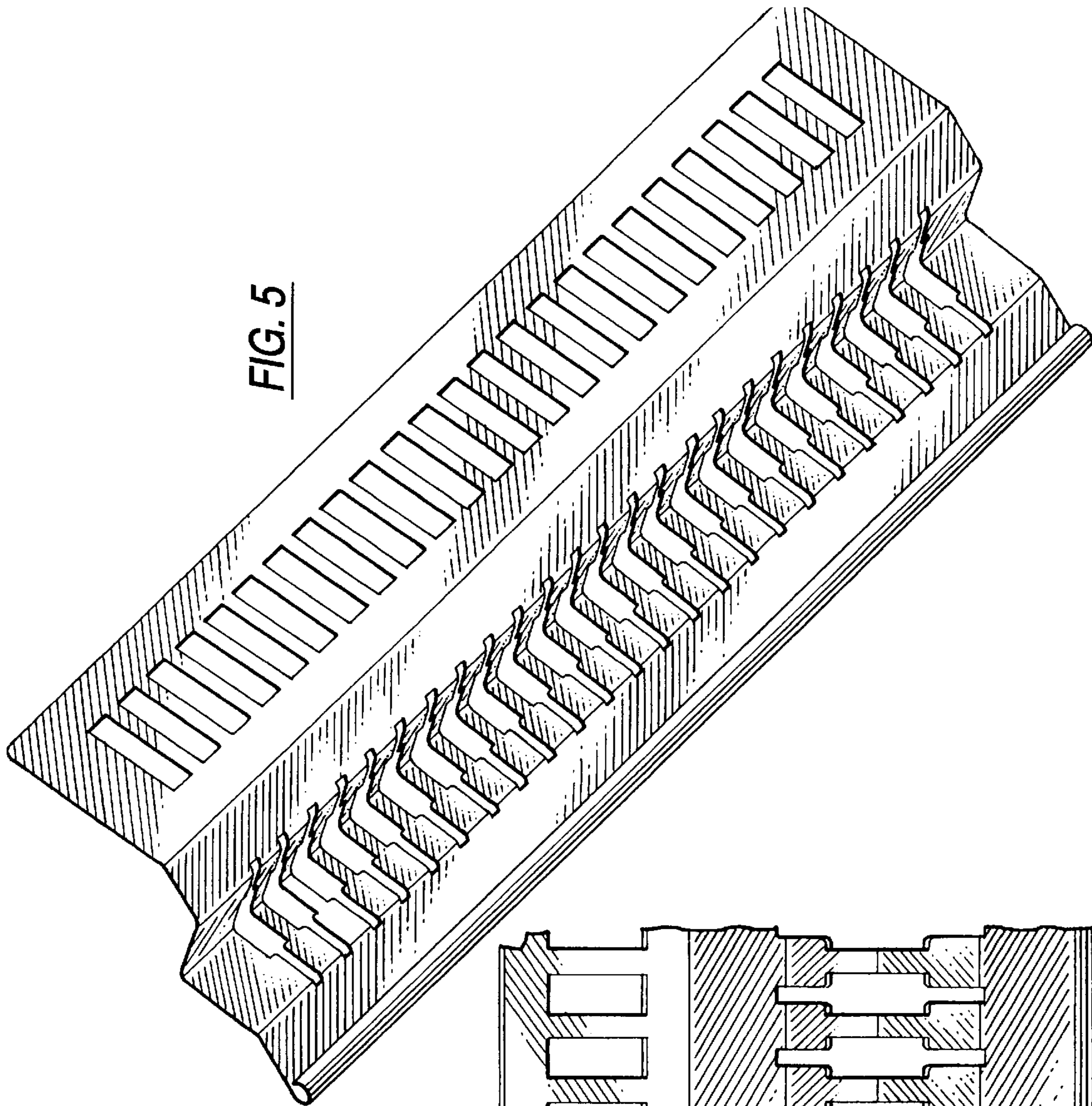


FIG. 4

