



US00D414064S

United States Patent [19] Shafik

[11] Patent Number: Des. 414,064

[45] Date of Patent: ** Sep. 21, 1999

[54] TOILET ACCESSORY KIT

[76] Inventor: **Aasef M. Shafik**, 5408 Carlin Spring Rd., Arlington, Va. 22203

[**] Term: **14 Years**

[21] Appl. No.: **29/084,360**

[22] Filed: **Feb. 27, 1998**

[51] LOC (6) Cl. **07-07**

[52] U.S. Cl. **D6/525; D6/551**

[58] Field of Search D6/524, 525, 551; D3/315, 201, 205; 211/13.1, 60.1, 65, 69.1

[56] **References Cited**

U.S. PATENT DOCUMENTS

- D. 161,014 11/1950 Gerson .
- D. 264,782 6/1982 Thompson D6/551
- D. 272,874 3/1984 Cohen .
- D. 341,973 12/1993 Gerstmar D6/524 X
- D. 356,893 4/1995 Conmy .
- D. 385,136 10/1997 Gutke D6/524
- 1,758,962 5/1930 Miller .
- 2,066,773 1/1937 Felice .
- 2,423,292 7/1947 Brown .
- 2,441,697 5/1948 Gage .
- 2,464,085 3/1949 Hess .

- 2,539,838 1/1951 Hurley .
- 2,844,826 7/1958 Cheiten .
- 3,021,532 2/1962 Gross .
- 3,429,474 2/1969 Cann .
- 4,008,933 2/1977 Wanek .
- 4,033,650 7/1977 Alissandratos .
- 4,432,451 2/1984 Hooser .
- 4,458,368 7/1984 Webb .
- 4,831,669 5/1989 Edwards .
- 5,099,527 3/1992 Roose .
- 5,353,442 10/1994 Rotter .
- 5,456,356 10/1995 Kurzawa .

Primary Examiner—Brian N. Vinson
Attorney, Agent, or Firm—Dennis H. Lambert, Esq.

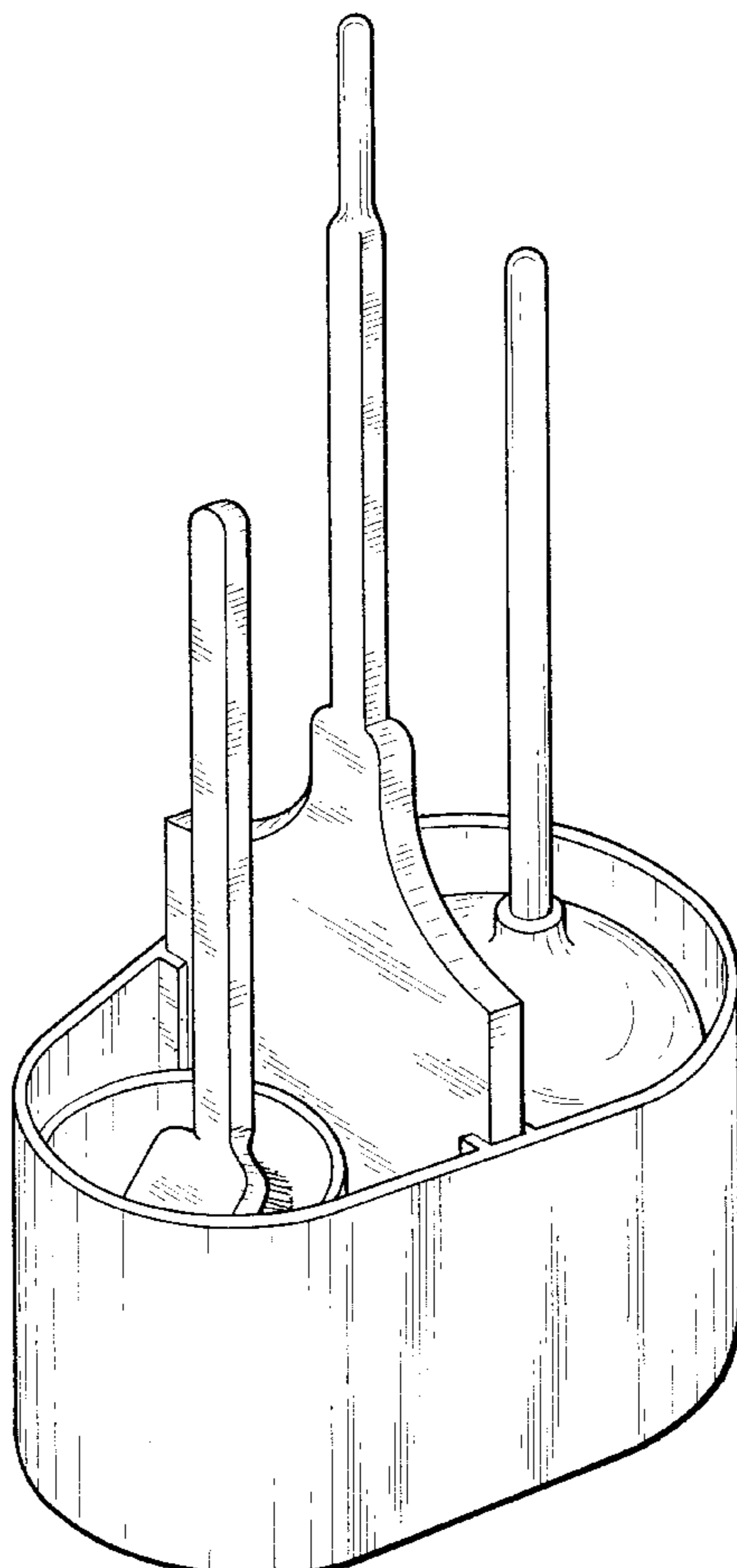
[57] **CLAIM**

I claim the ornamental design for a toilet accessory kit, as shown and described.

DESCRIPTION

FIG. 1 is a front, top and side perspective view of the toilet accessory kit embodying the design of the present invention. FIG. 2 is a right side elevational view thereof. FIG. 3 is a left side elevational view thereof. FIG. 4 is a top plan view thereof; and, FIG. 5 is a bottom plan view thereof.

1 Claim, 2 Drawing Sheets



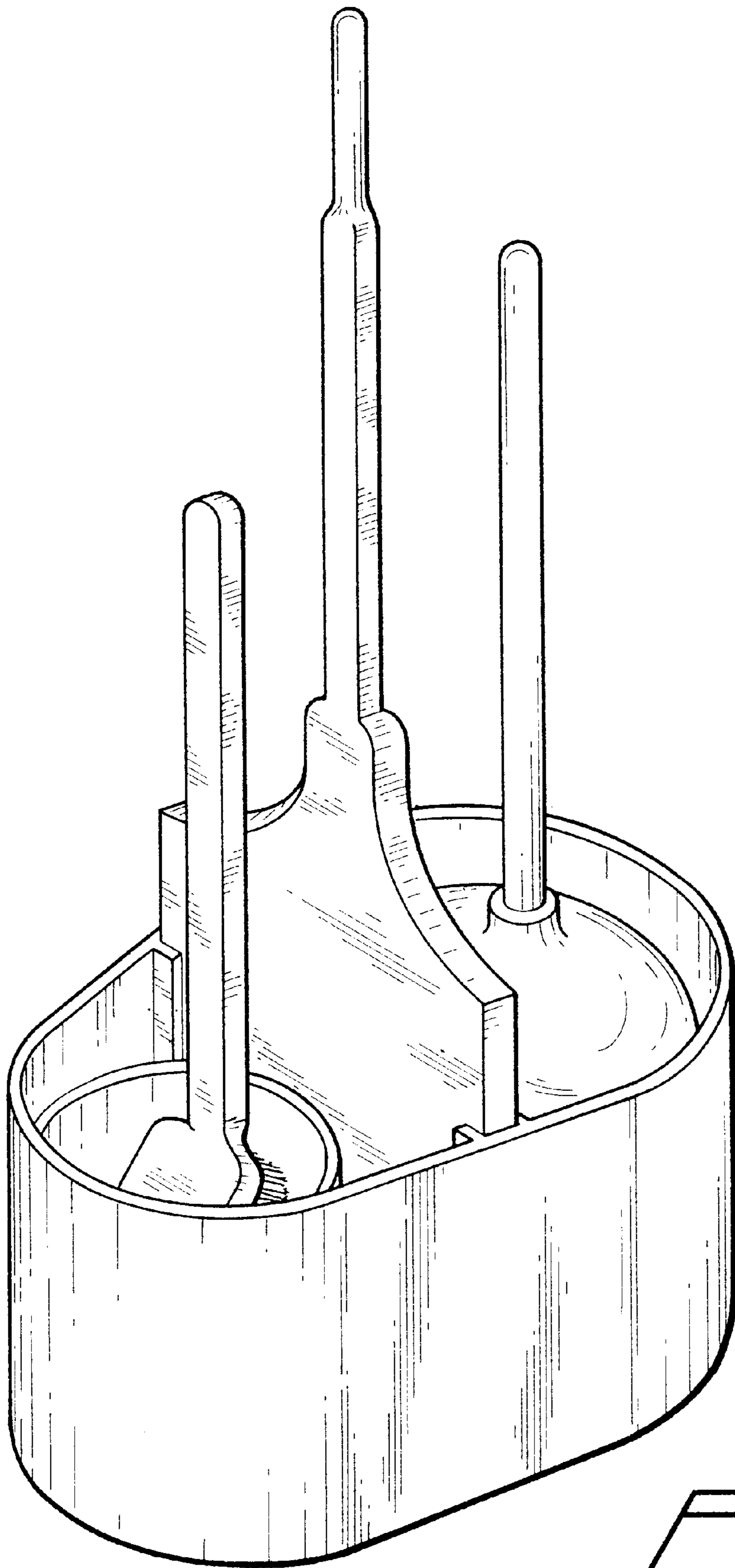


FIG. 1

