



US00D414063S

United States Patent [19]
Treubig

[11] **Patent Number: Des. 414,063**

[45] **Date of Patent: ** Sep. 21, 1999**

[54] **SHOWER ACCESSORY HOLDER**

Primary Examiner—Brian N. Vinson

[76] Inventor: **Eric Treubig**, 952 Pacific St., Baldwin,
N.Y. 11510

[57] **CLAIM**

The ornamental design for a shower accessory holder, as shown.

[**] Term: **14 Years**

DESCRIPTION

[21] Appl. No.: **29/077,340**

FIG. 1 is a front plan view of the shower accessory holder of the present invention;

[22] Filed: **Sep. 30, 1997**

FIG. 2 is a back plan view of the shower accessory holder of FIG. 1;

[51] **LOC (6) Cl.** **07-07**

[52] **U.S. Cl.** **D6/525**

[58] **Field of Search** D6/512, 553, 567,
D6/536, 540; D8/373, 499, 354; 206/460,
461; 211/13.1, 86, 87, 89; 248/200, 205.1,
205.5, 309.3

FIG. 3 is a left side plan view of the shower accessory holder of FIG. 1;

FIG. 4 is a right side plan view of the shower accessory holder of FIG. 1;

[56] **References Cited**

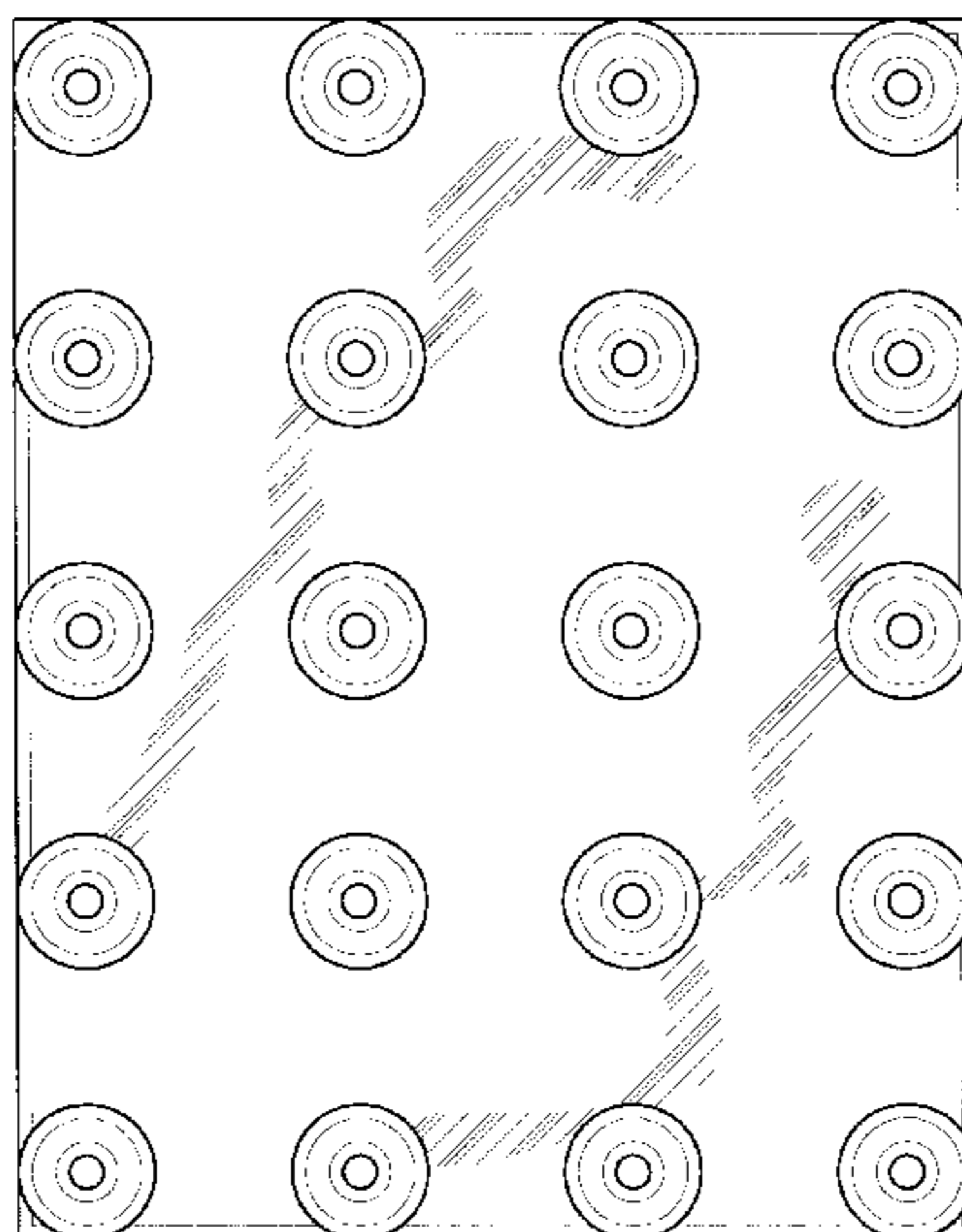
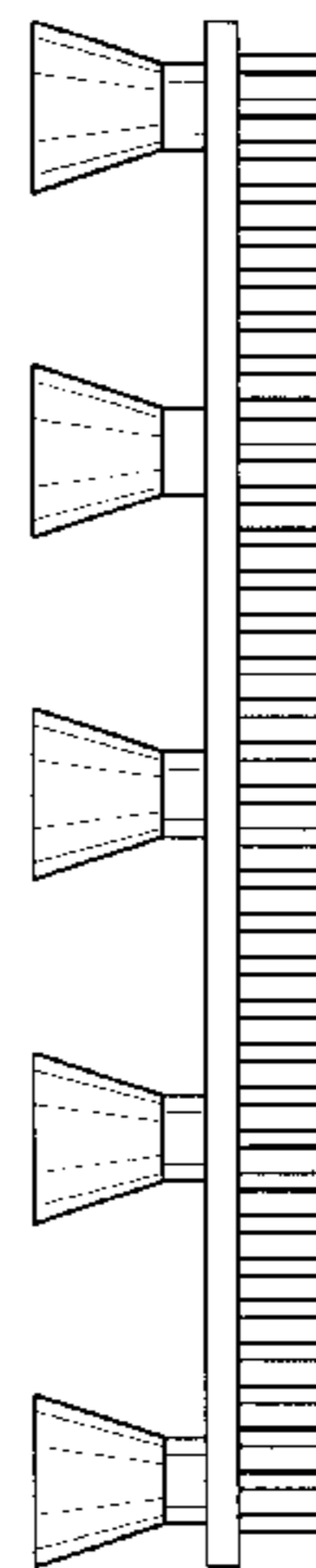
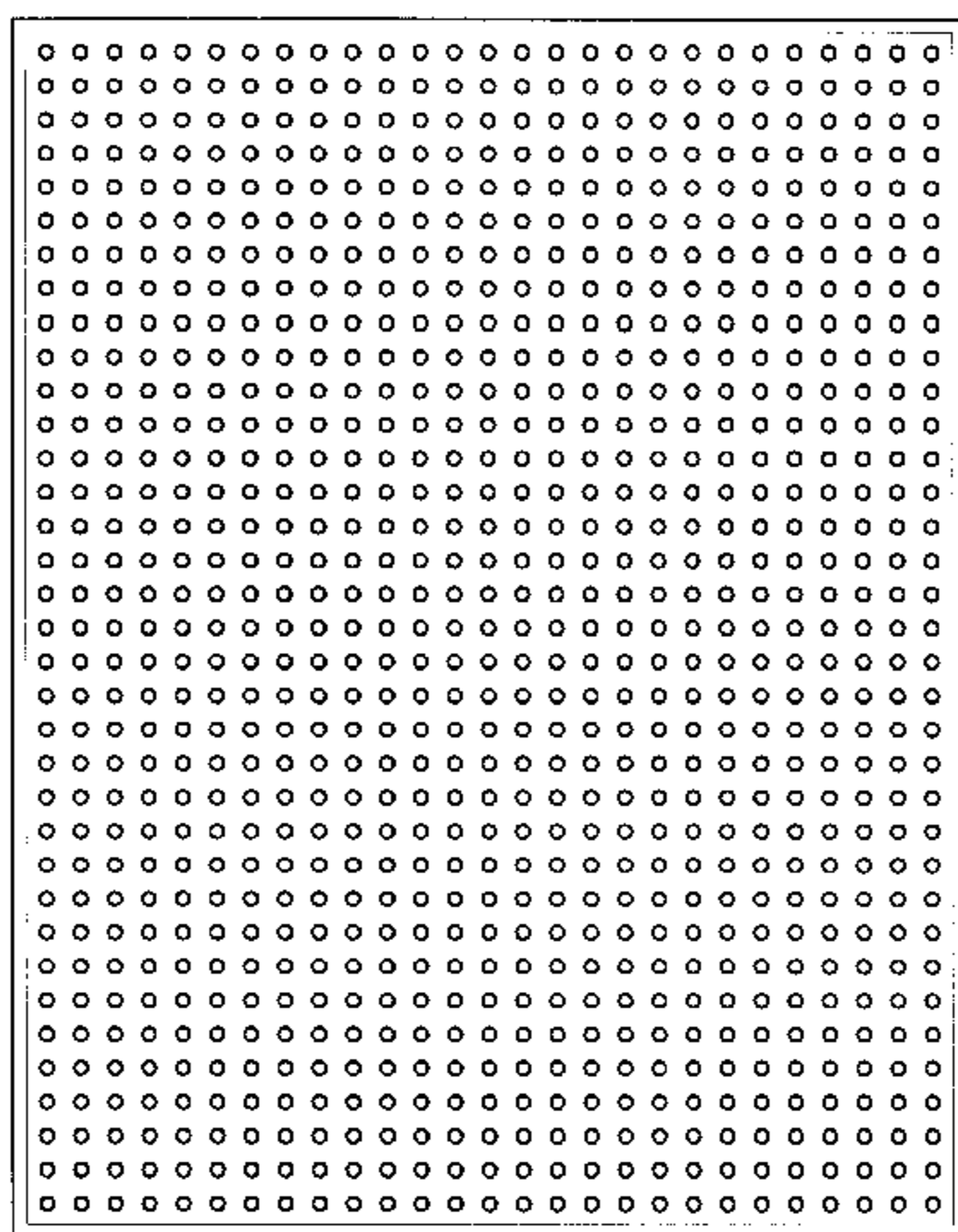
U.S. PATENT DOCUMENTS

Re. 34,133	11/1992	Thorne	206/460	X
D. 288,764	3/1987	Moller	D6/553	X
D. 313,740	1/1991	Witt	D8/373	

FIG. 5 is a top plan view of the shower accessory holder of FIG. 1; and,

FIG. 6 is a bottom plan view of the shower accessory holder of FIG. 1.

1 Claim, 3 Drawing Sheets



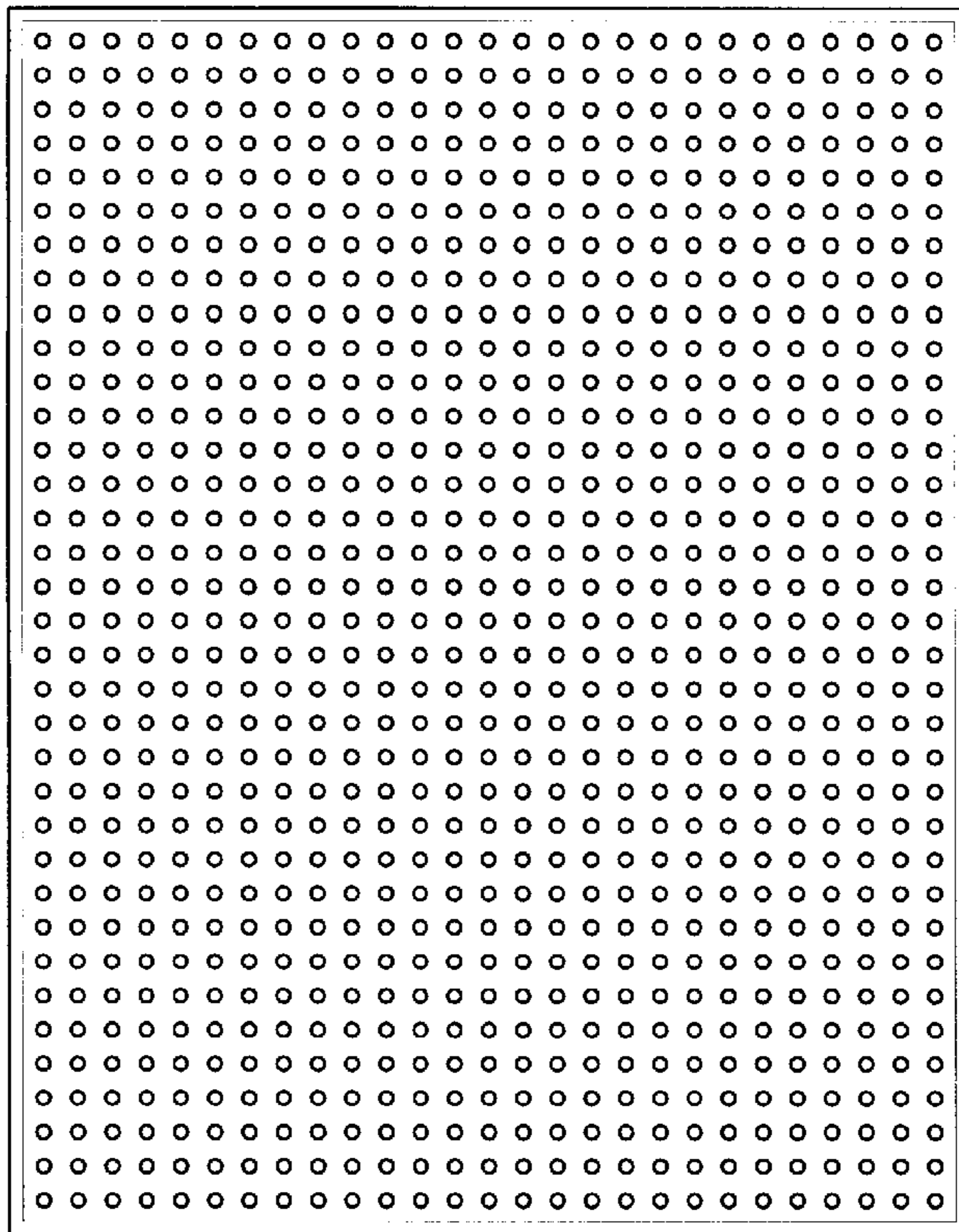


Fig. 1

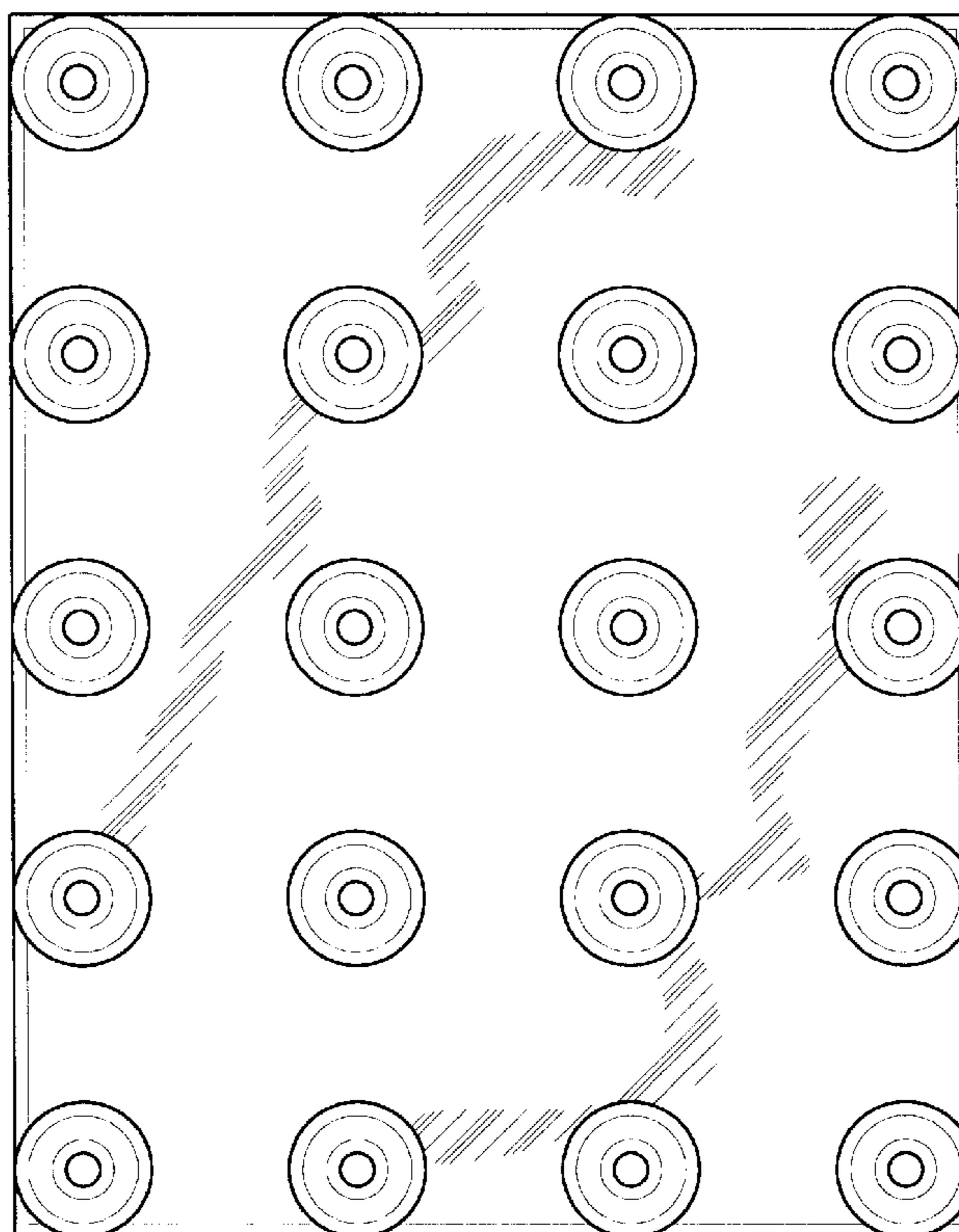


Fig. 2

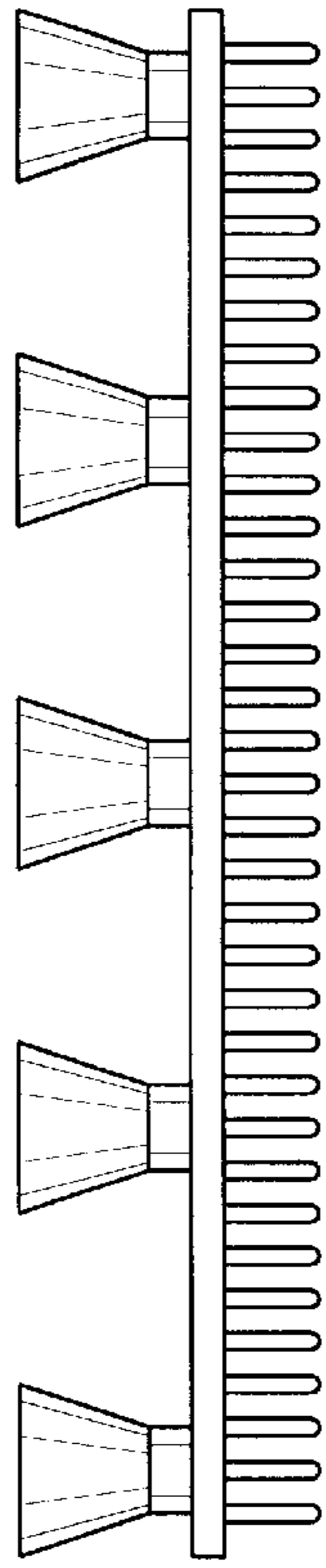


Fig. 3

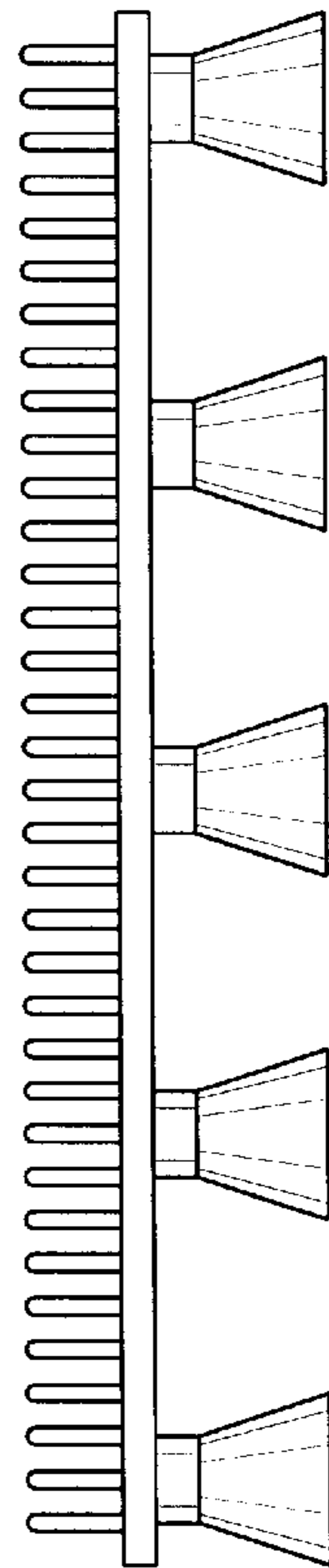


Fig. 4

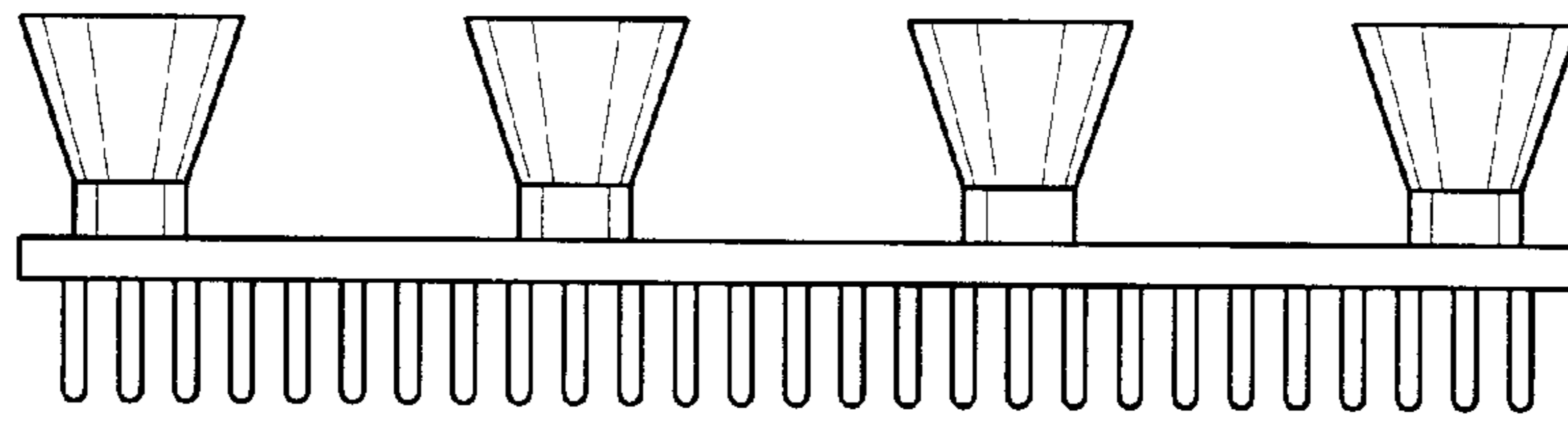


Fig. 5

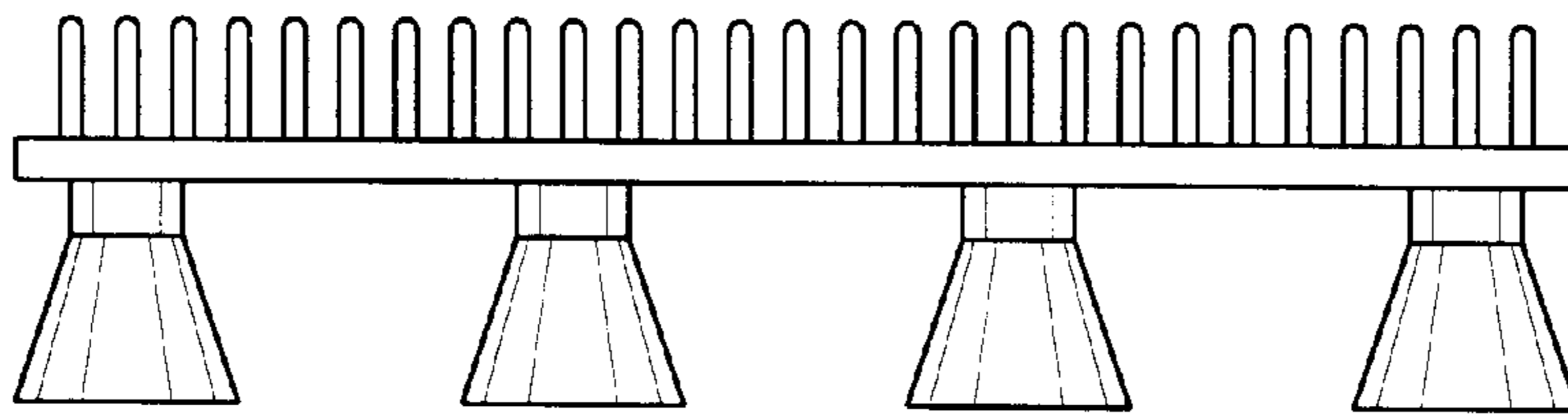


Fig. 6