



US00D414057S

United States Patent [19]

Walters, III et al.

[11] Patent Number: **Des. 414,057**

[45] Date of Patent: **** Sep. 21, 1999**

[54] TABLE

[75] Inventors: **Guy A. Walters, III; Charles C. Cain,**
both of High Point, N.C.

[73] Assignee: **Thomasville Furniture Industries,**
Inc., Thomasville, N.C.

[**] Term: **14 Years**

[21] Appl. No.: **29/095,074**

[22] Filed: **Oct. 15, 1998**

[51] LOC (6) Cl. **06-03**

[52] U.S. Cl. **D6/480; D6/436; D6/511**

[58] Field of Search **D6/480-489, 495-499,**
D6/511, 436, 477; 108/153.1, 155, 156,
157.1, 161; 248/188, 188.1, 188.8

[56] **References Cited**

U.S. PATENT DOCUMENTS

- D. 82,156 9/1930 Holloway D6/480 X
- D. 84,473 6/1931 Gulbranson D6/480

OTHER PUBLICATIONS

Attached photograph of a table, believed to be Ralph Lauren, believed to be prior art.

Attached photograph of a table, source unknown, believed to be prior art.

Rope Moulding, the Book of Carved Wood Decoration, Klise Manufacturing Company, p. 136, 1987.

Storage Chest, Collector's Cherry Collection, Thomasville Furniture Industries, Inc., p. 13, believed to be prior art.

Pennsylvania House, 1973, p. 137, #15-1209 cocktail table.

Progressive, c1991, Remembrance I.

Levitz, c1994, table at lower right.

Primary Examiner—Janice E. Seeger

Attorney, Agent, or Firm—Rhodes & Mason, P.L.L.C.

[57] **CLAIM**

The ornamental design for a table, as shown and described.

DESCRIPTION

FIG. 1 is a left front perspective view of a table showing our new design;

FIG. 2 is an end view, the opposite end being a mirror image thereof;

FIG. 3 is a front elevational view, the opposite side being a mirror image thereof;

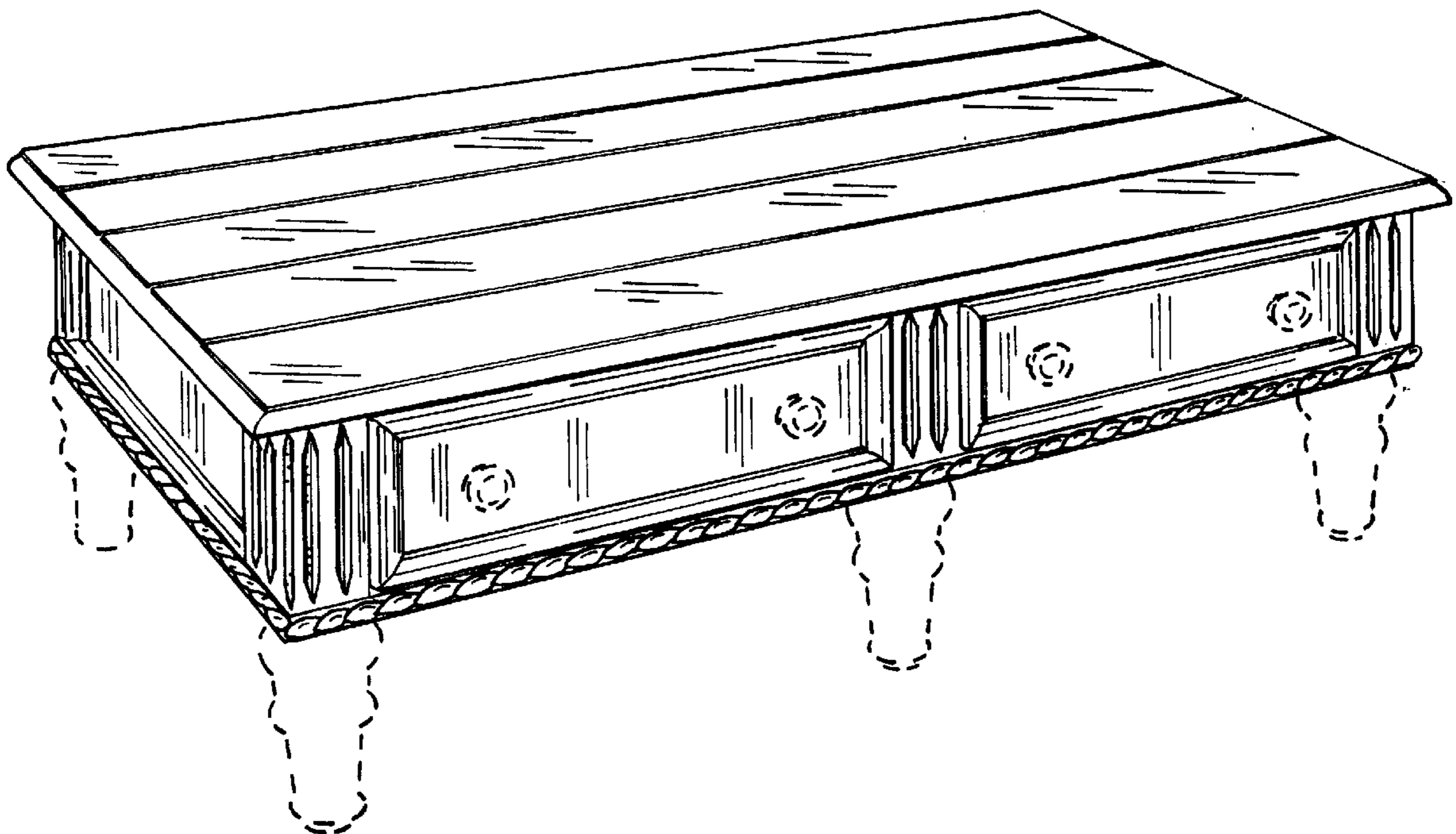
FIG. 4 is a top view thereof; and,

FIG. 5 is an enlarged partial perspective view thereof.

The broken line showing of environmental elements is for illustrative purposes only and forms no part of the claimed design.

The bottom view of the design is not shown and forms no part of the claimed design.

1 Claim, 3 Drawing Sheets



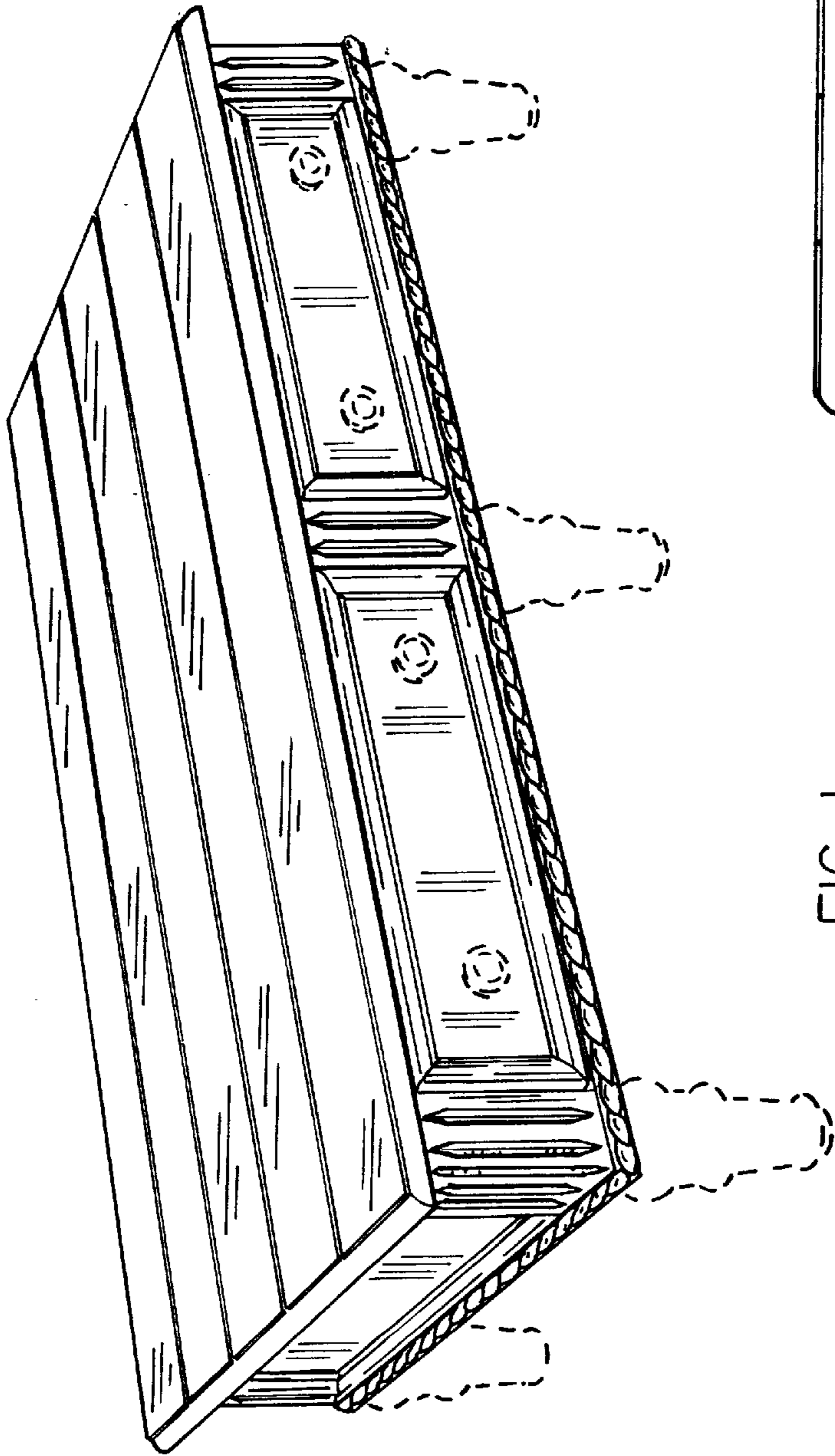


FIG. 1

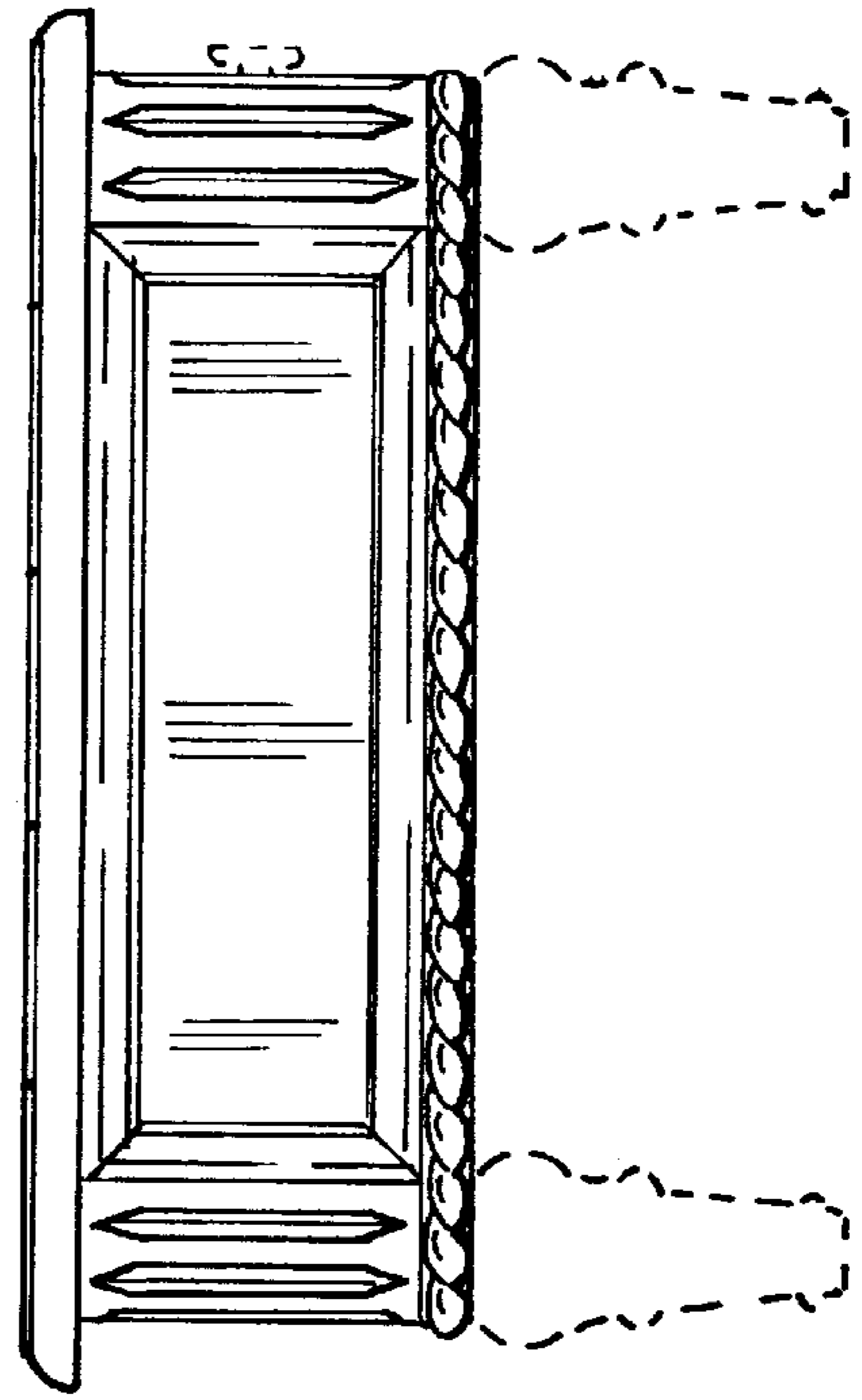


FIG. 2

FIG. 3

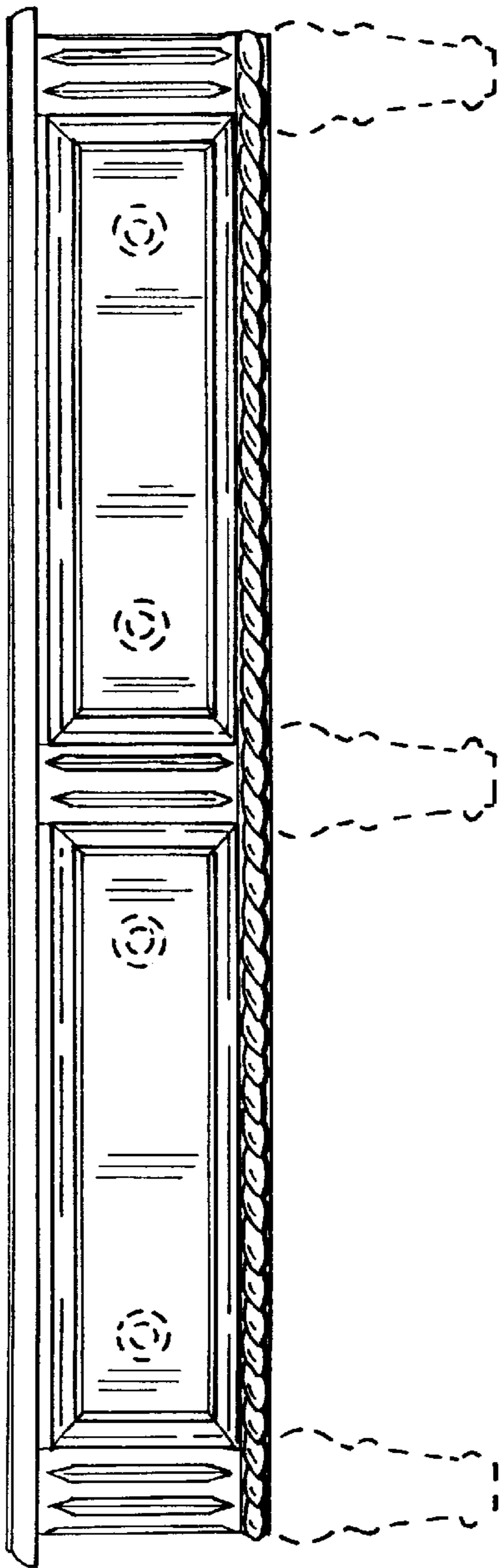
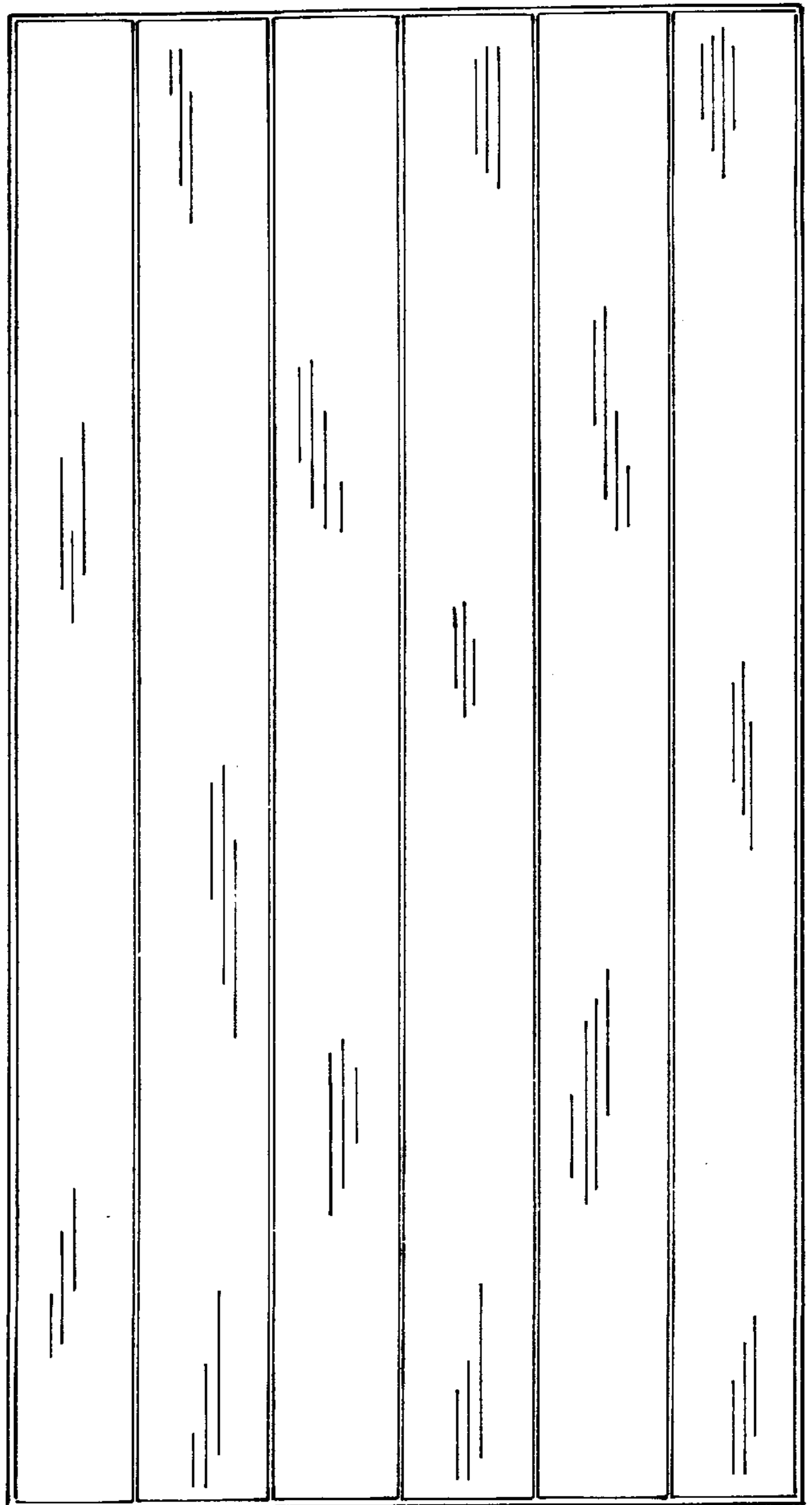


FIG. 4



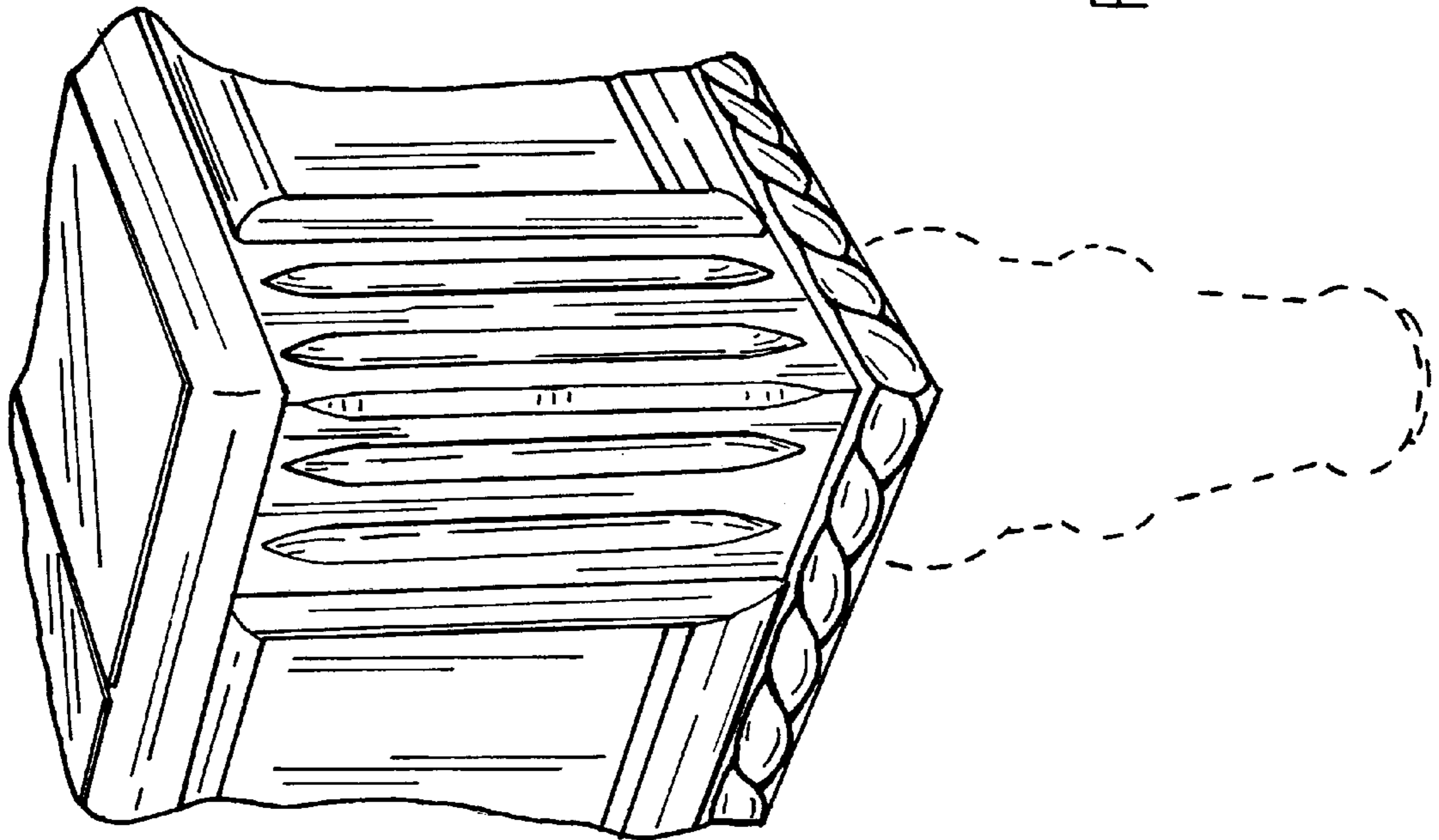


FIG. 5