



US00D414053S

United States Patent [19] Ordelman

[11] Patent Number: **Des. 414,053**

[45] Date of Patent: **** Sep. 21, 1999**

[54] **PARASOL SUPPORT**

[76] Inventor: **August Albert Ordelman**, Keizer
Karellaan, 31, NL-7415 ZC Daventer,
Netherlands

[**] Term: **14 Years**

[21] Appl. No.: **29/077,508**

[22] Filed: **Oct. 3, 1997**

[30] **Foreign Application Priority Data**

Apr. 4, 1997 [XH] Hague Agreement DM/039763

[51] **LOC (6) Cl.** **06-04**

[52] **U.S. Cl.** **D6/416; D6/462**

[58] **Field of Search** D6/416, 411, 462,
D6/491, 495; 211/62, 182, 195, 197; 248/161,
157, 511, 519, 405, 529, 121, 523, 122.1,
125.1, 125.8, 146, 176.1; 135/90, 98, 99,
121, 128, 141, 142, 156, 114, 27, 16

[56] **References Cited**

U.S. PATENT DOCUMENTS

D. 141,722 6/1945 Mankki D6/411
D. 329,761 9/1992 Pieper D6/416

566,809 9/1896 Strong 248/161 X
4,352,479 10/1982 Chapman, Jr. 248/405
4,622,945 11/1986 Glitten 248/161 X
5,845,665 12/1998 Koehn 135/98

Primary Examiner—Doris V. Coles
Assistant Examiner—Linda Brooks
Attorney, Agent, or Firm—Jenkins & Gilchrist, P.C.

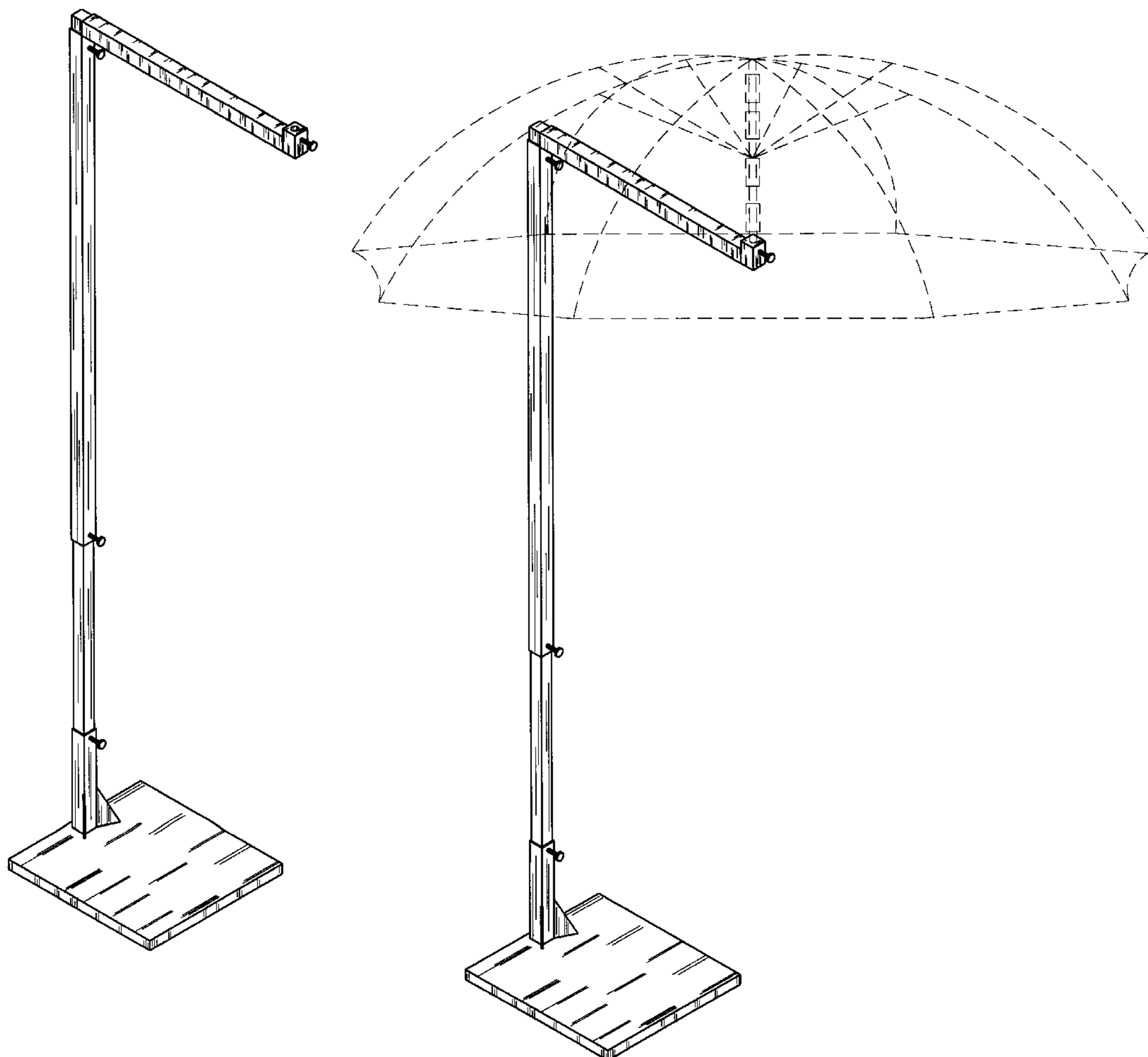
[57] **CLAIM**

The ornamental design for a parasol support, as shown and described.

DESCRIPTION

FIG. 1 is a perspective view of the parasol support.
FIG. 2 is a right side view of the parasol support.
FIG. 3 is a left side view of the parasol support.
FIG. 4 is a front view of the parasol support.
FIG. 5 is a rear view of the parasol support.
FIG. 6 is a top plan view of the parasol support.
FIG. 7 is a bottom plan view of the parasol support; and,
FIG. 8 is a perspective view of the parasol support on a
reduced scale, with the parasol shown in broken lines for
purposes of illustration only and forming no part of the
claimed design.-

1 Claim, 6 Drawing Sheets



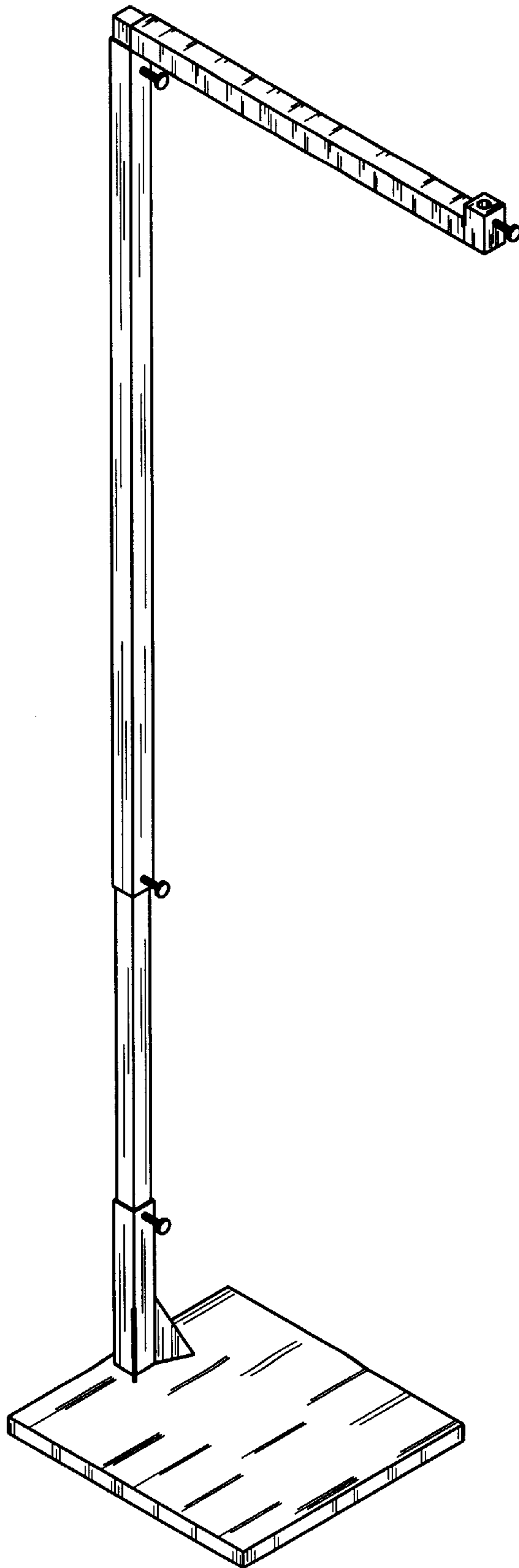


FIG. 1

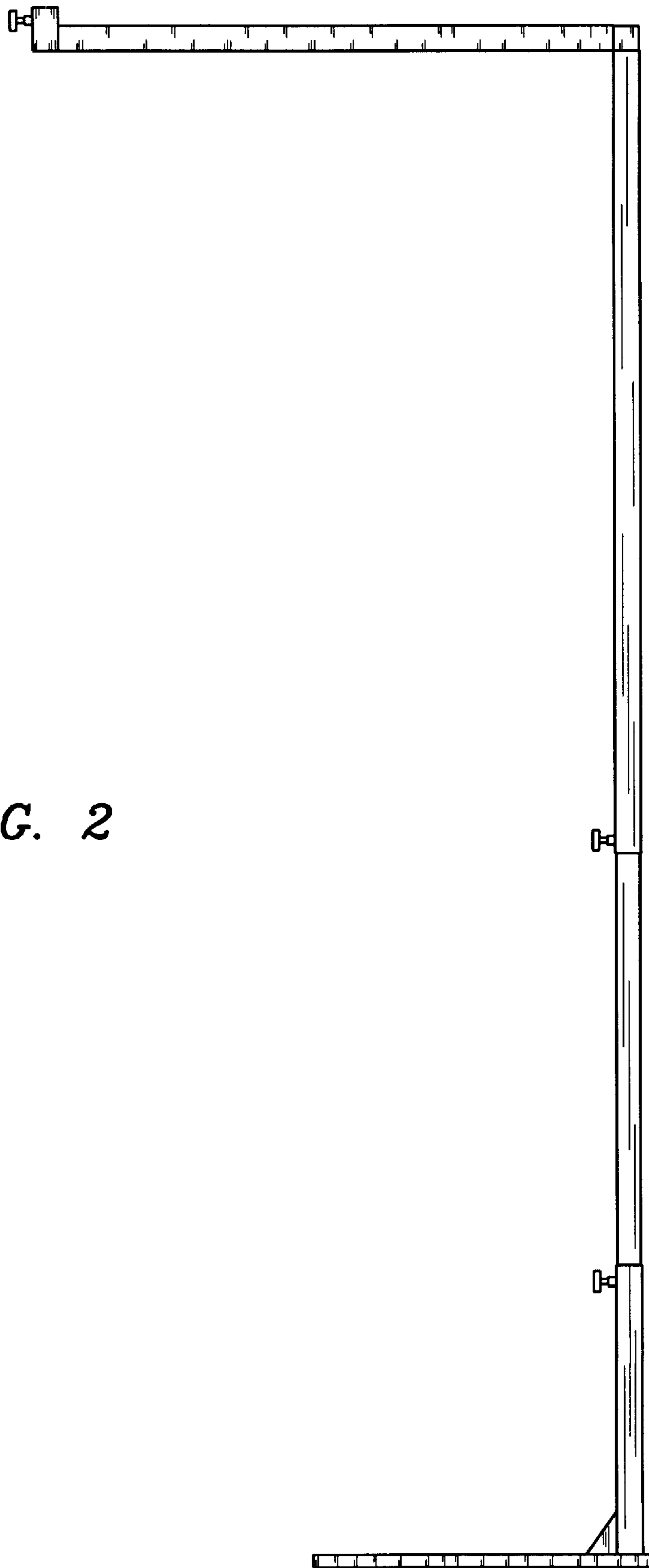


FIG. 2

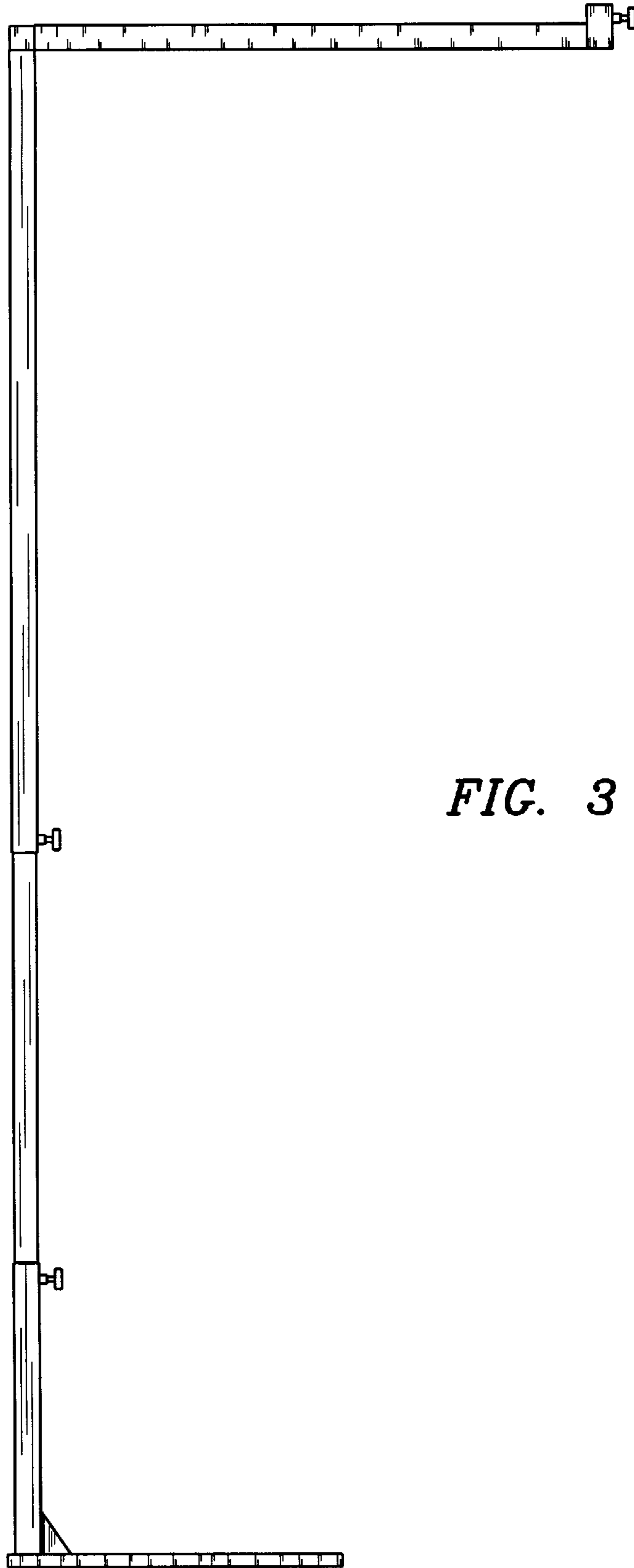


FIG. 3

FIG. 4

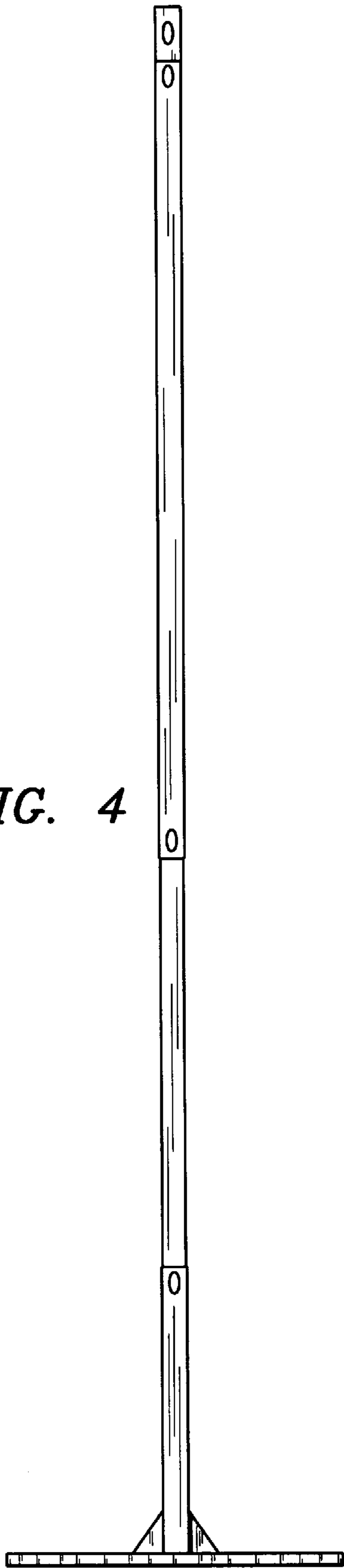
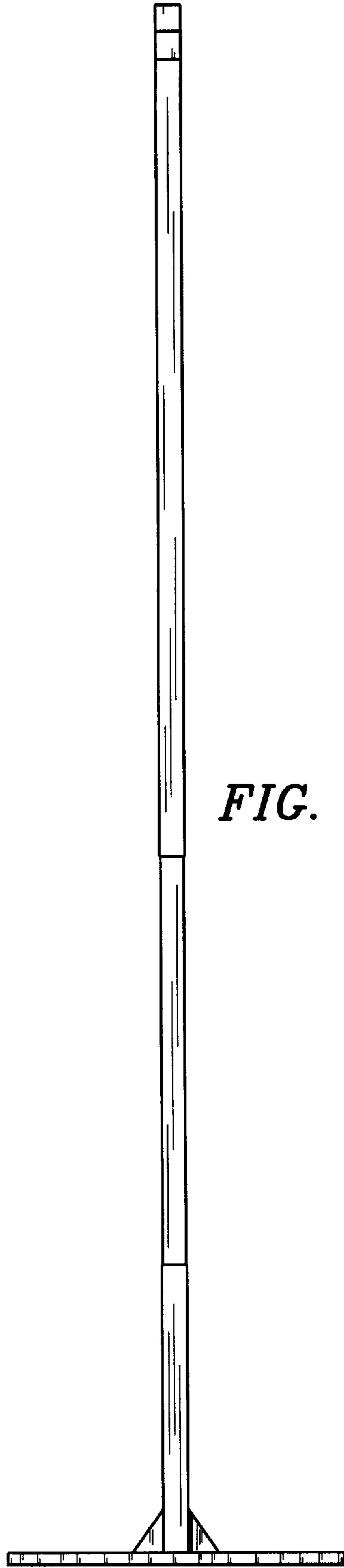


FIG. 5



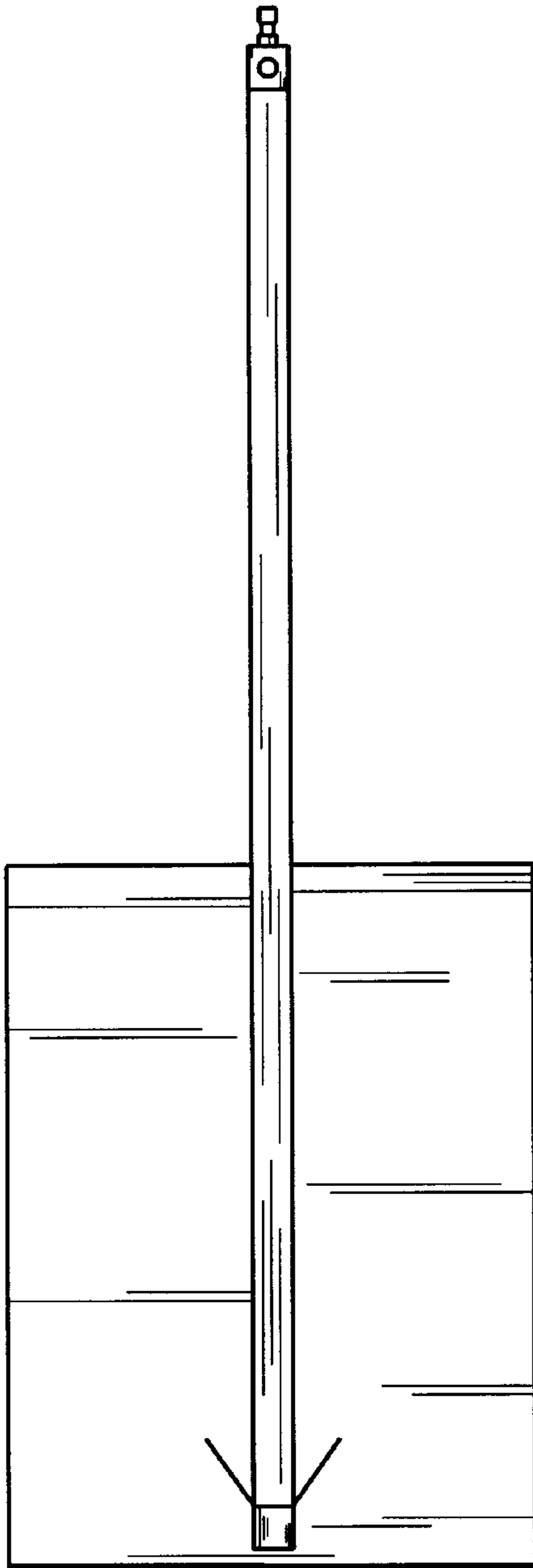


FIG. 6

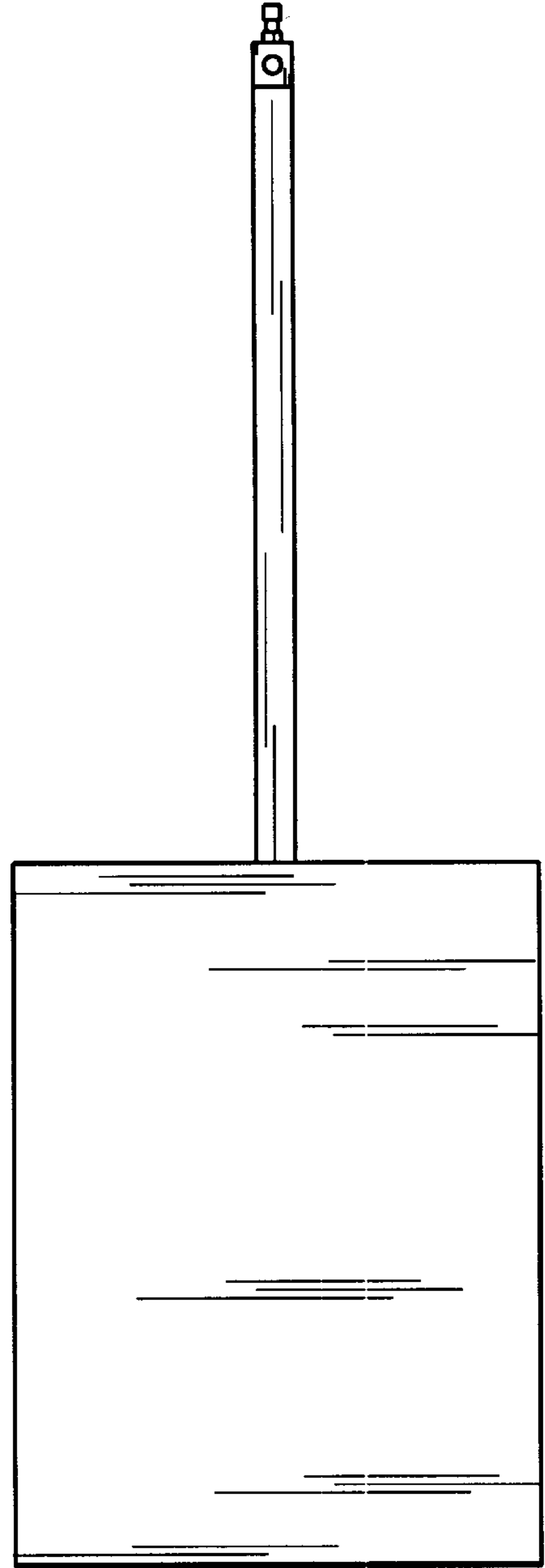


FIG. 7

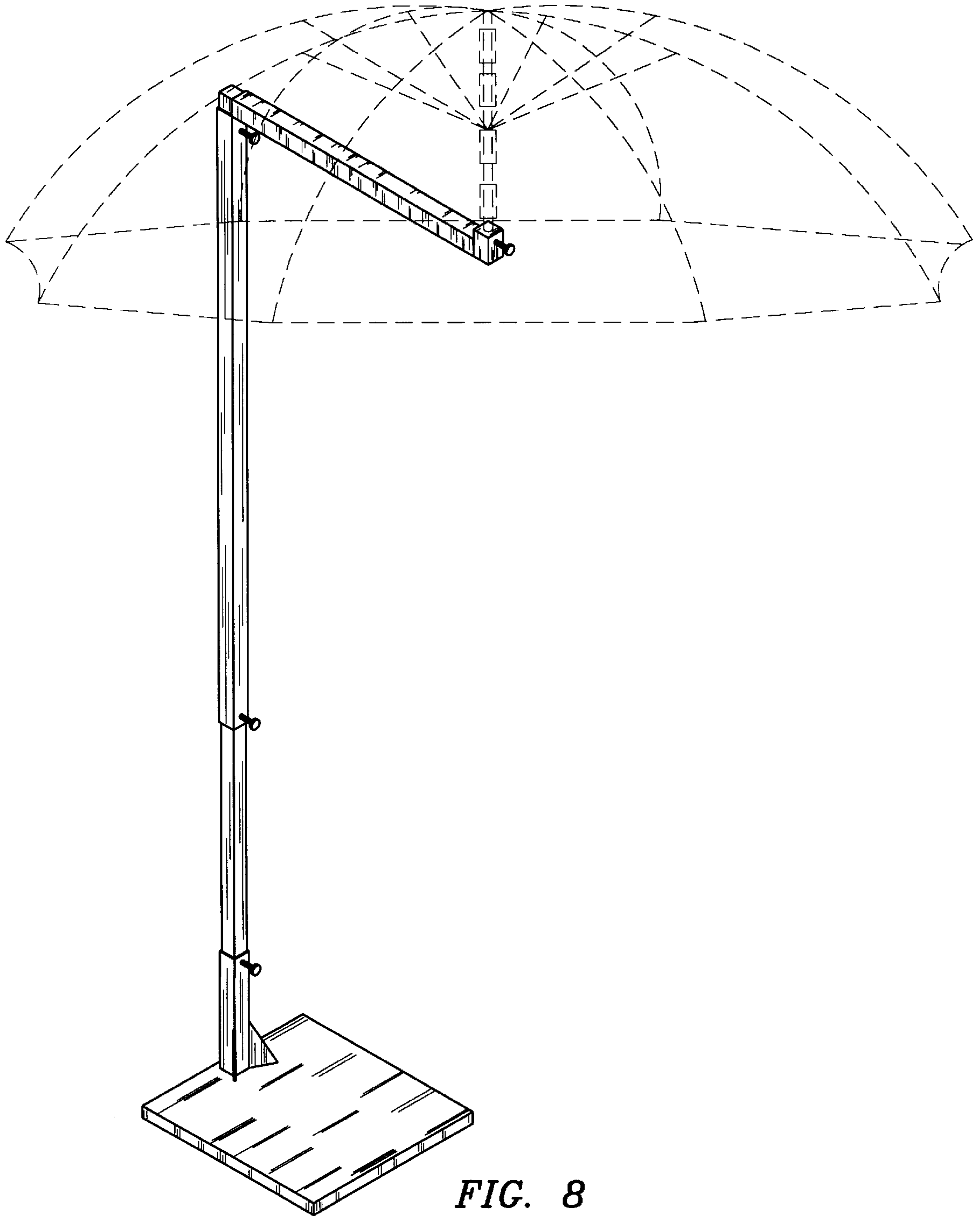


FIG. 8