



US00D414052S

United States Patent [19] Van Rhienen

[11] **Patent Number: Des. 414,052**
[45] **Date of Patent: ** Sep. 21, 1999**

[54] **STACKABLE CHAIR**

[75] **Inventor: Alphons Van Rhienen, Schoten, Belgium**

[73] **Assignee: Euro United Corporation, Oakville, Canada**

[**] **Term: 14 Years**

[21] **Appl. No.: 29/094,176**

[22] **Filed: Sep. 28, 1998**

[30] Foreign Application Priority Data

Jun. 18, 1998 [CA] Canada 1998-1499

[51] **LOC (6) Cl. 06-01**

[52] **U.S. Cl. D6/379; D6/370; D6/374**

[58] **Field of Search D6/334, 370, 374, D6/375, 379, 380, 500, 501, 502; 297/239, 411.42, DIG. 2**

[56] References Cited

U.S. PATENT DOCUMENTS

- D. 234,240 2/1975 Noda et al. D6/379
- D. 274,770 7/1984 Massonnet D6/375
- D. 329,339 9/1992 Grosfillex .
- D. 330,291 10/1992 Grosfillex D6/370
- D. 331,324 12/1992 Grosfillex D6/375
- D. 335,972 6/1993 Lamalle .

- D. 338,347 8/1993 Hubert D6/370
- D. 360,537 7/1995 VanSkiver .
- D. 361,903 9/1995 VanSkiver .
- D. 362,556 9/1995 VanSkiver .
- D. 362,759 10/1995 Sagol .
- D. 362,975 10/1995 Sagol .
- D. 364,748 12/1995 Morin .
- D. 366,159 1/1996 Sagol .
- D. 373,255 9/1996 Gresens D6/379
- D. 373,473 9/1996 Grosfillex .

OTHER PUBLICATIONS

“Creez Votre Propre Decor De Jardin” Sears Catalogue, May 1991.

Primary Examiner—Gary D. Watson
Attorney, Agent, or Firm—Barrigar & Moss

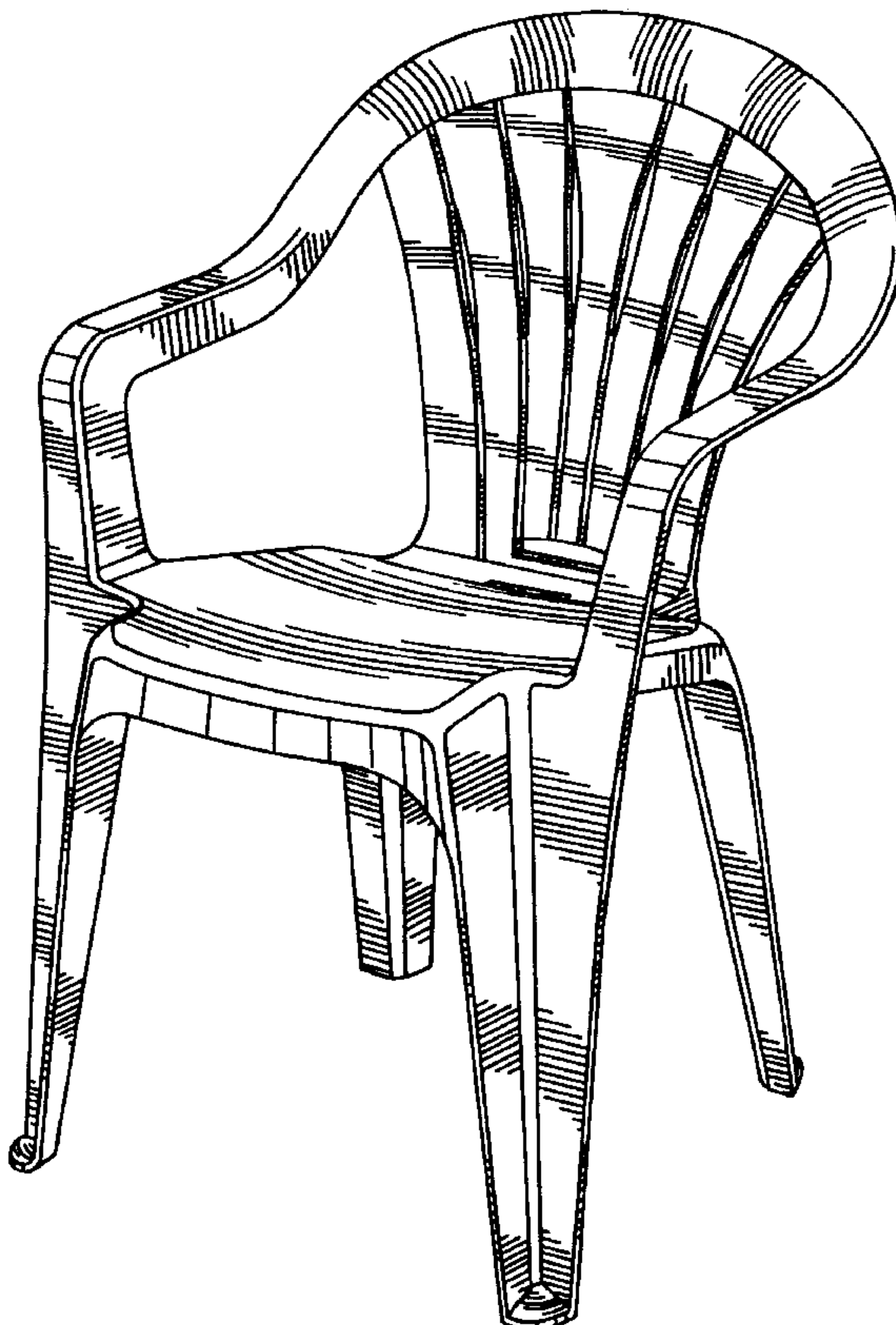
[57] CLAIM

The ornamental design for a stackable chair, as shown and described.

DESCRIPTION

FIG. 1 is a perspective view of the stackable chair taken from above and showing the left side thereof; FIG. 2 is a left side view of the chair of FIG. 1, the opposite side being a mirror image thereof; FIG. 3 is a top view of the chair of FIG. 1; FIG. 4 is a front view of the chair of FIG. 1; and, FIG. 5 is a rear view of the chair of FIG. 1.

1 Claim, 3 Drawing Sheets



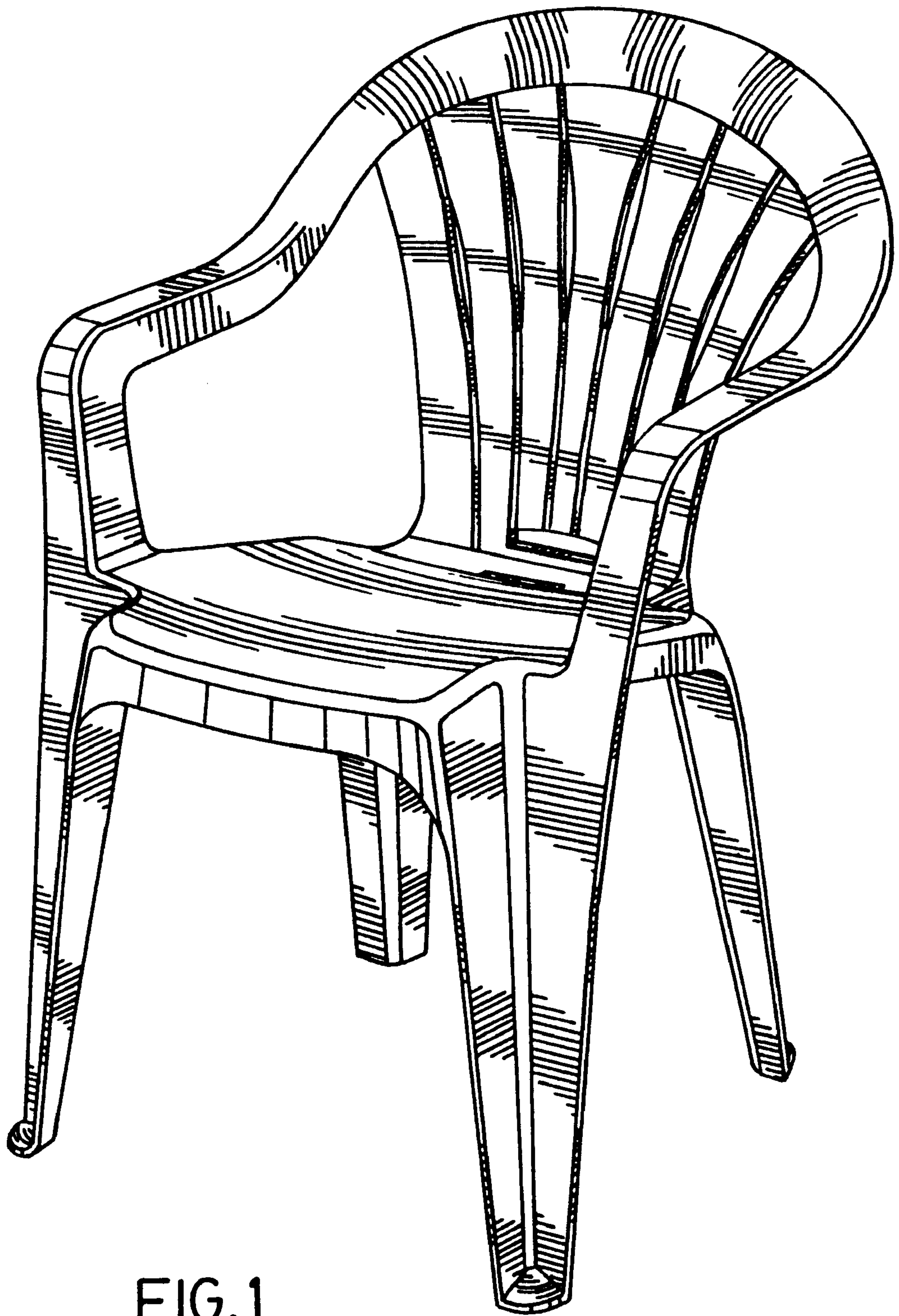


FIG. 1

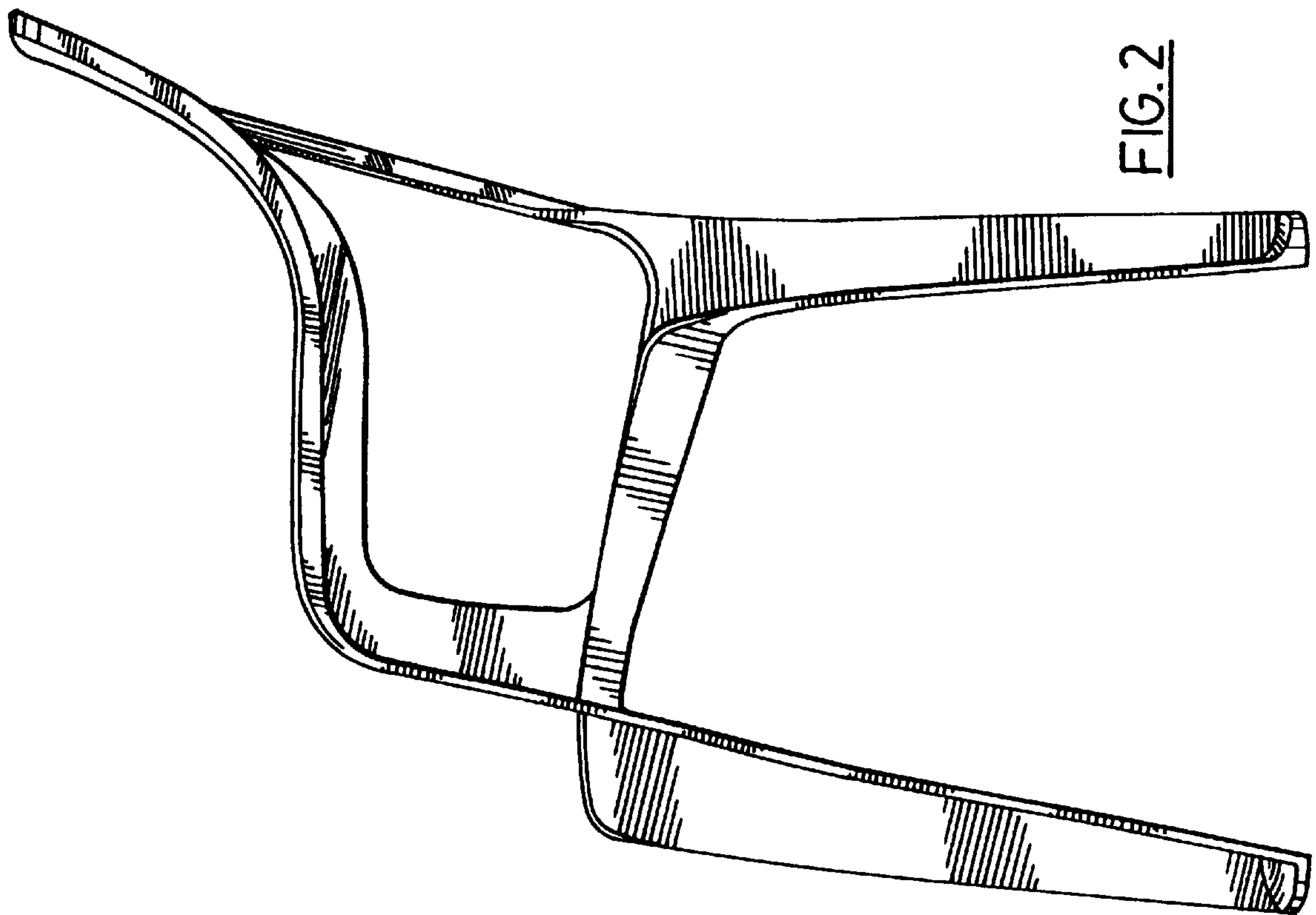


FIG. 2

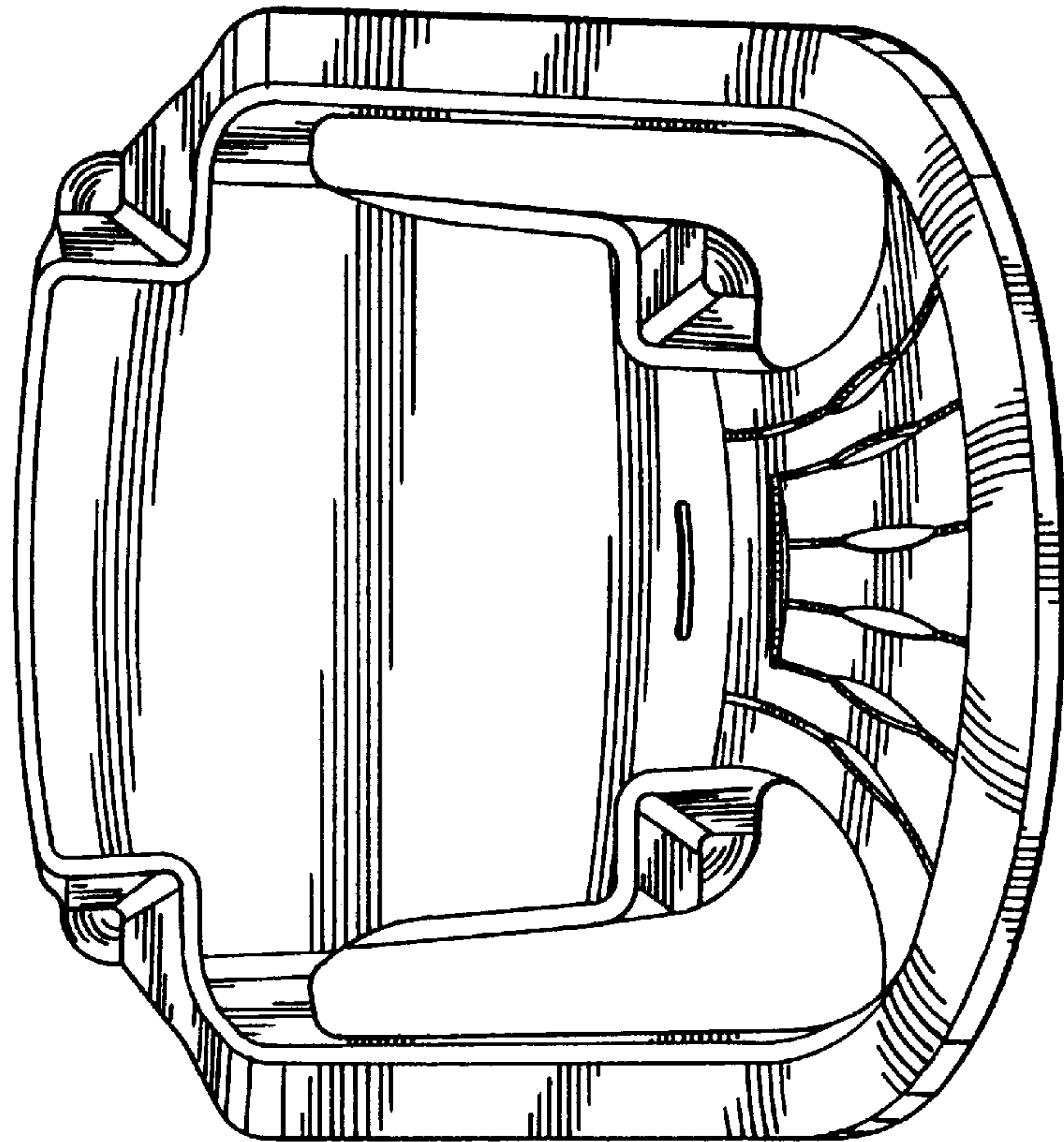


FIG. 3

