



US00D414050S

# United States Patent [19] Lin

[11] Patent Number: **Des. 414,050**

[45] Date of Patent: **\*\* Sep. 21, 1999**

[54] **CHAIR**

D. 342,391 12/1993 Caldwell ..... D6/376  
D. 346,075 4/1994 Hess ..... D6/376

[76] Inventor: **Steve Lin**, No. 80, Kengtsai Ping,  
Hoping Village, Chuchi Hsiang, Chiayi  
Hsien, Taiwan

*Primary Examiner*—Gary D. Watson  
*Attorney, Agent, or Firm*—Thomas, Kayden, Horstemeyer  
& Risley, L.L.P.

[\*\*] Term: **14 Years**

[57] **CLAIM**

[21] Appl. No.: **29/096,891**

The ornamental design for a chair, as shown and described.

[22] Filed: **Nov. 23, 1998**

**DESCRIPTION**

[51] **LOC (6) Cl.** ..... **06-01**

[52] **U.S. Cl.** ..... **D6/376; D6/369; D6/379**

[58] **Field of Search** ..... D6/334, 369, 370,  
D6/374, 376, 379, 380, 500, 501, 502;  
297/445.1, 445.56

FIG. 1 is a front-right-top perspective view of a chair,  
showing my new design;  
FIG. 2 is a front elevational view thereof;  
FIG. 3 is a rear elevational view thereof;  
FIG. 4 is a left side elevational view thereof;  
FIG. 5 is a right side elevational view thereof;  
FIG. 6 is a top plan view thereof; and,  
FIG. 7 is a bottom plan view thereof.

[56] **References Cited**

**U.S. PATENT DOCUMENTS**

D. 289,949 5/1987 Tron ..... D6/376  
D. 340,588 10/1993 Lee ..... D6/370

**1 Claim, 4 Drawing Sheets**



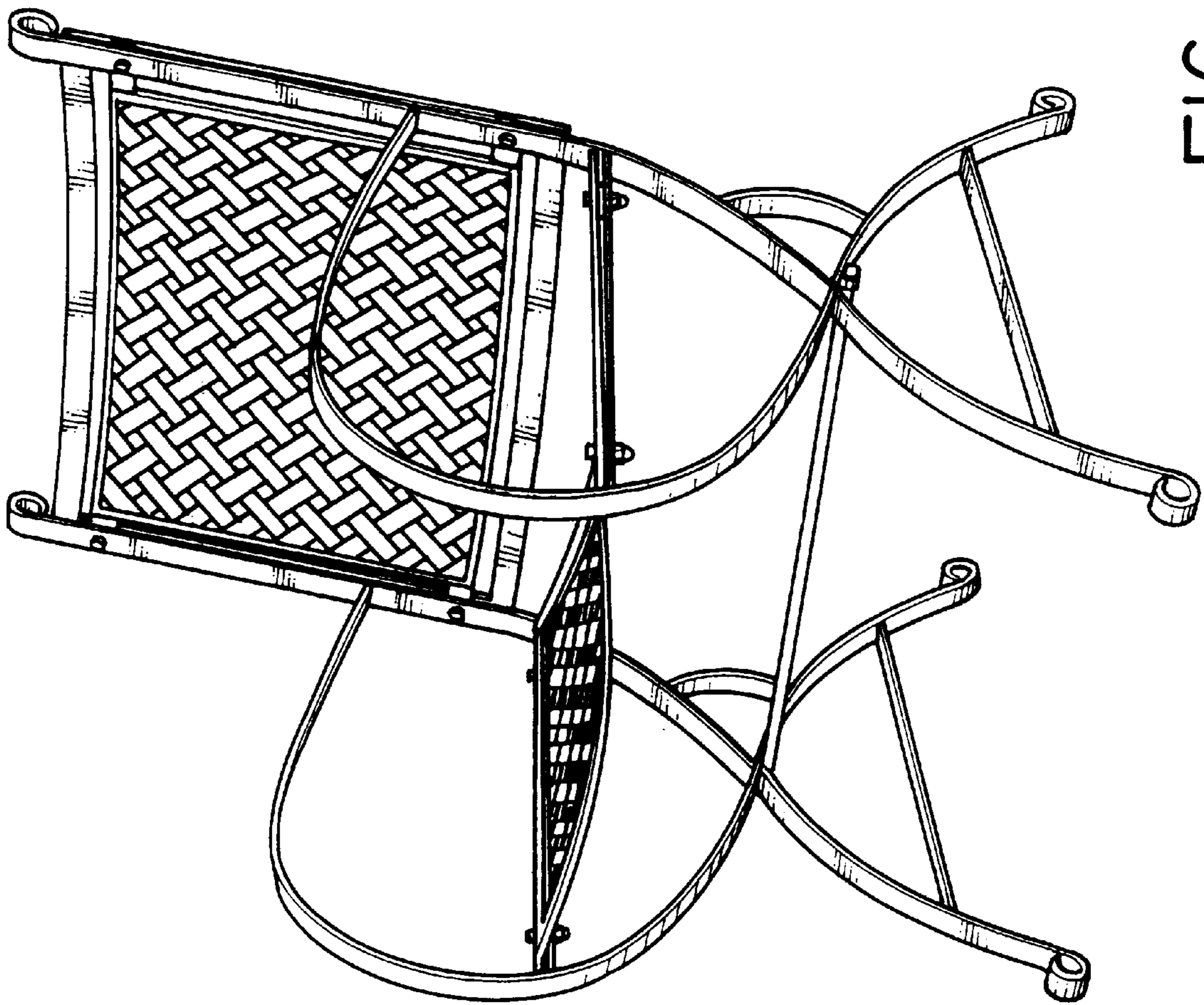


FIG. 1

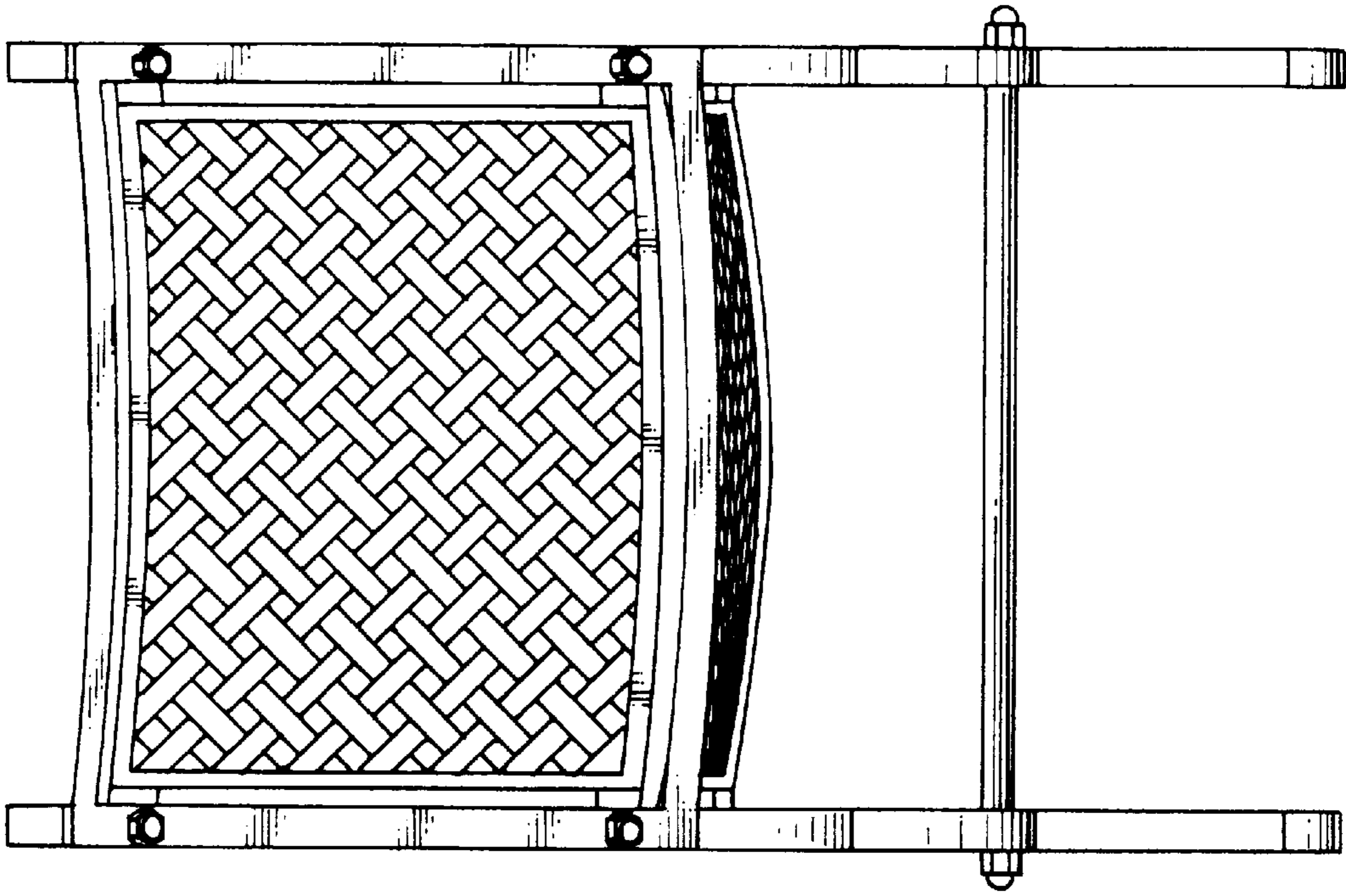


FIG. 3

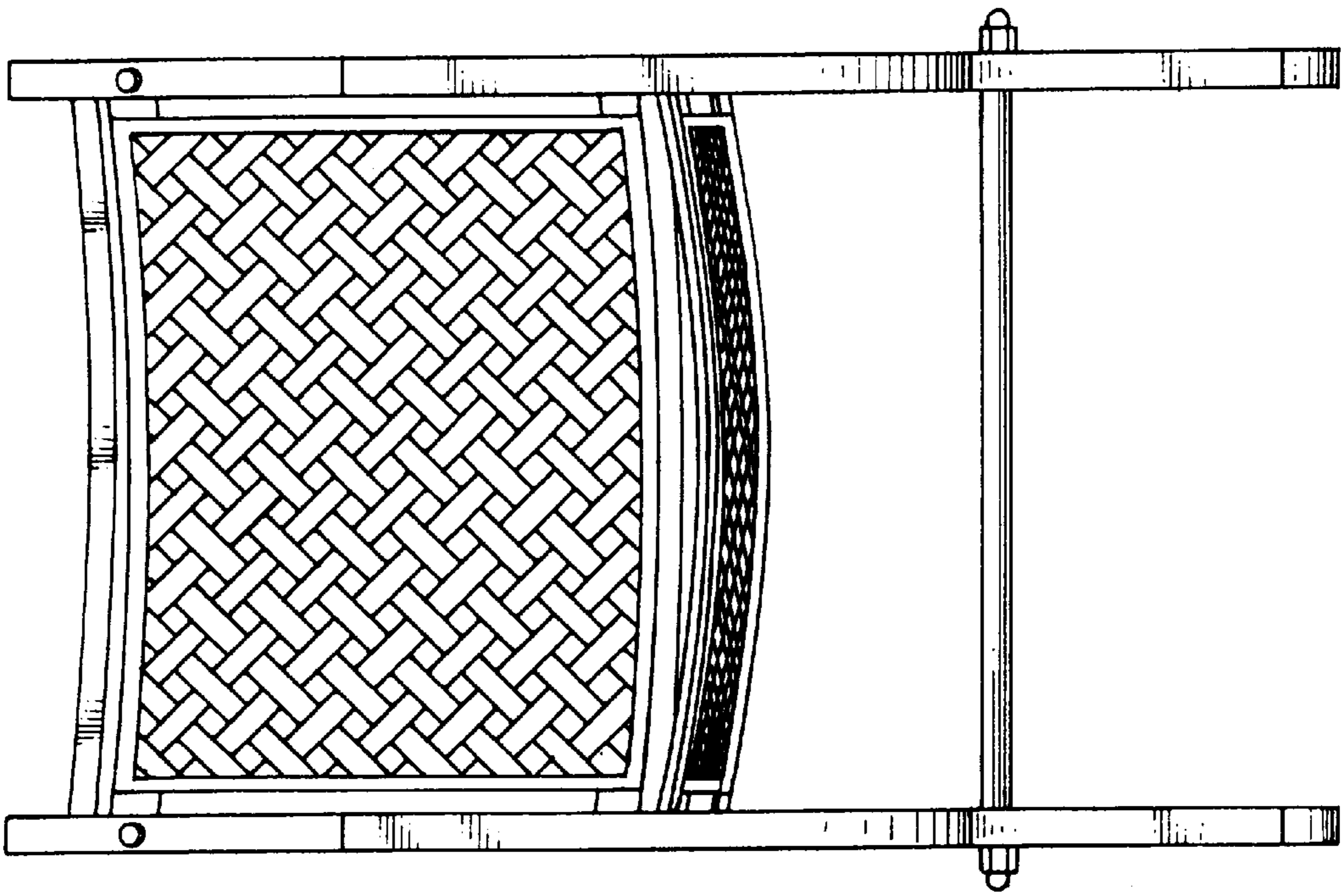


FIG. 2



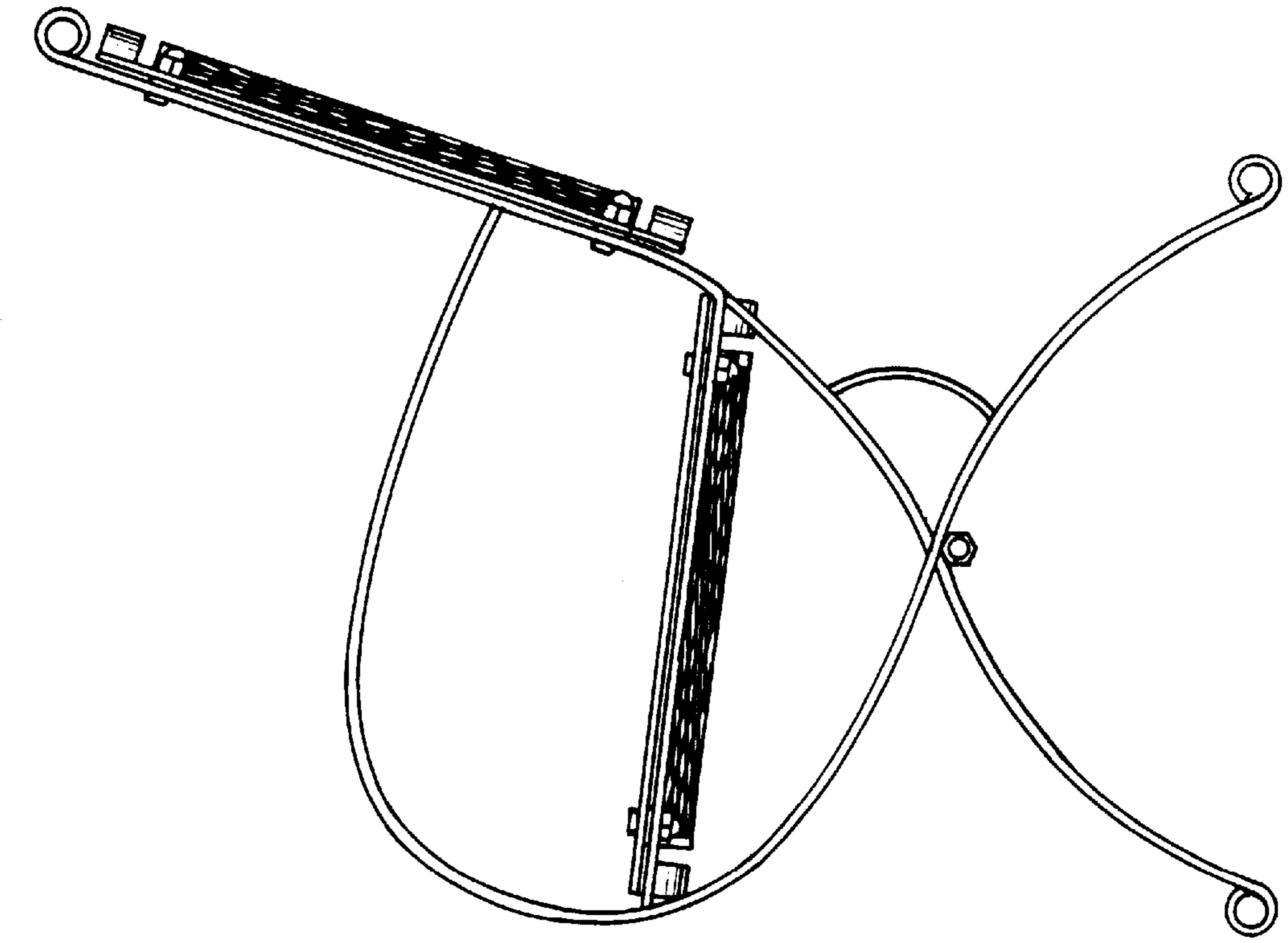


FIG. 5

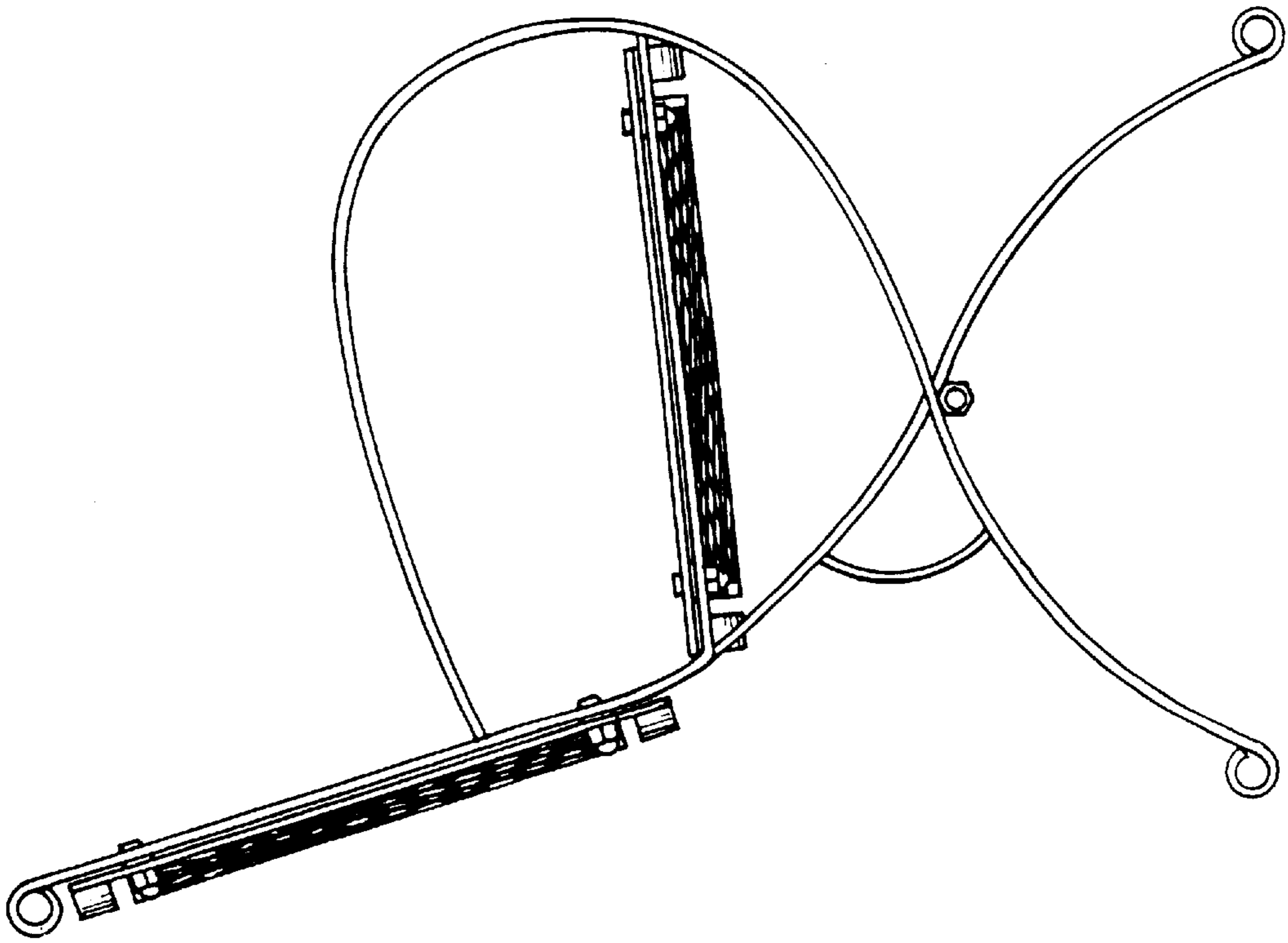


FIG. 4

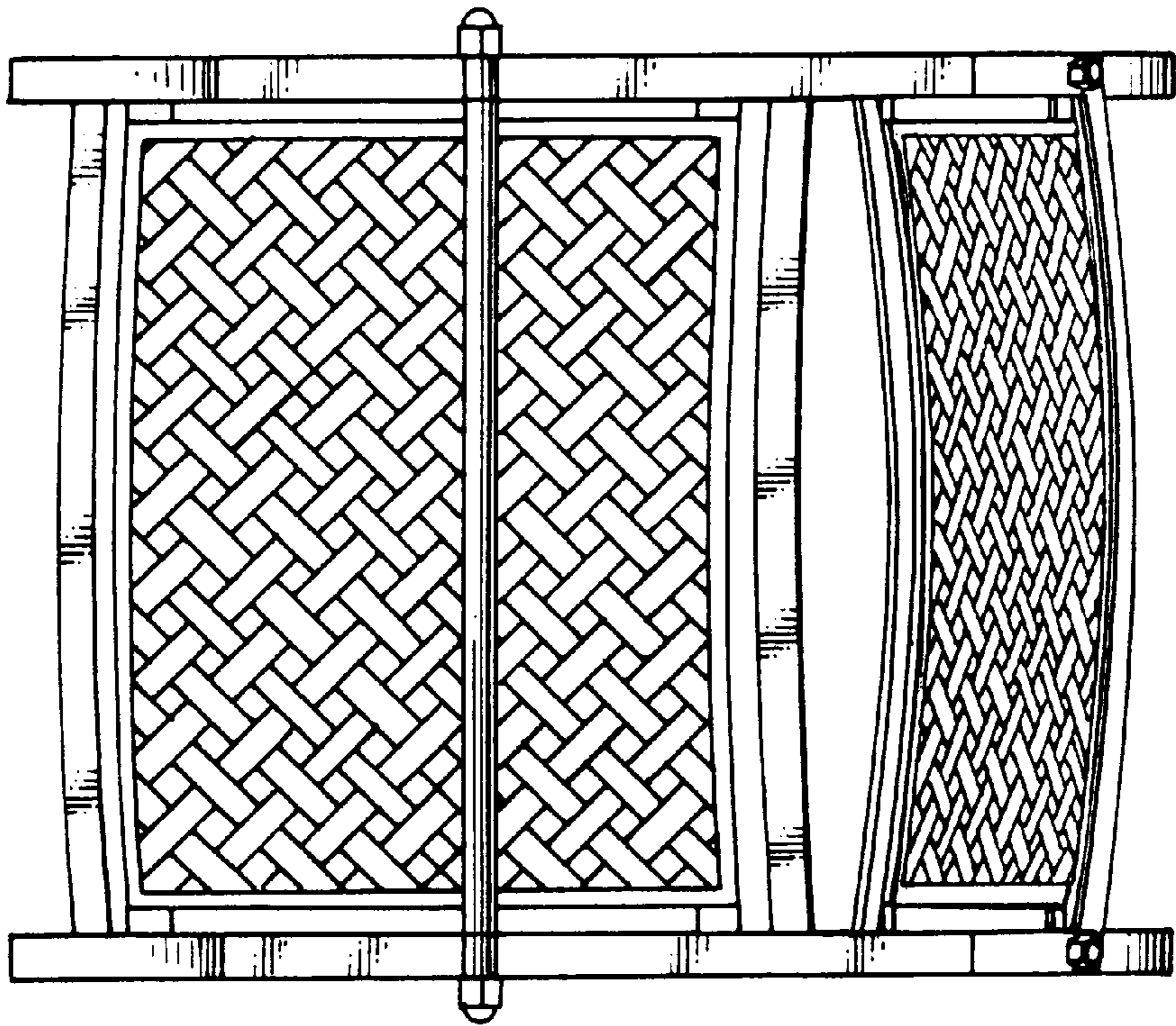


FIG. 7

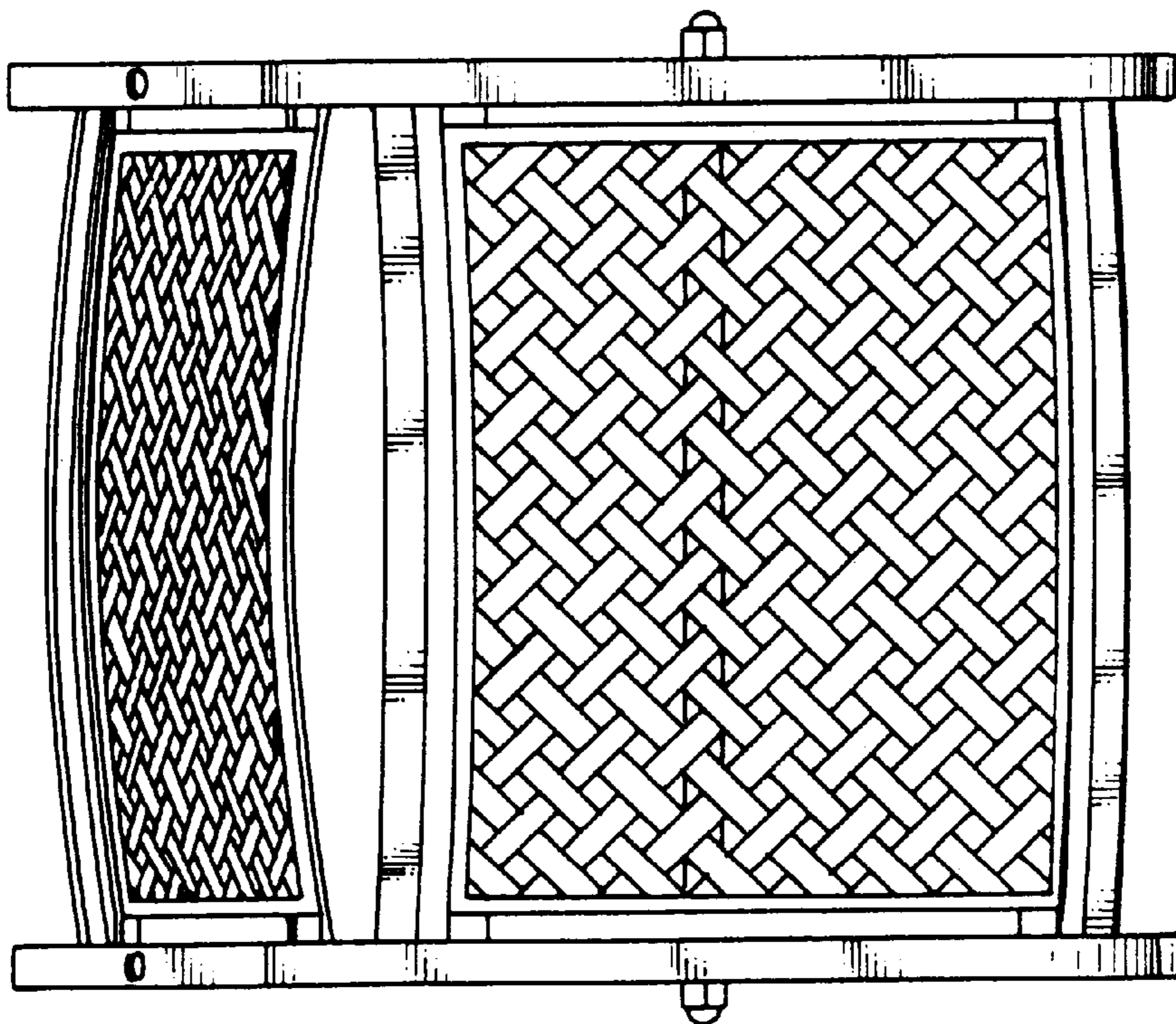


FIG. 6