



US00D414049S

United States Patent [19] van Rhienen

[11] Patent Number: Des. 414,049

[45] Date of Patent: ** Sep. 21, 1999

[54] FOLDING CHAISE LOUNGE WITH WHEELS

[75] Inventor: **Alphons van Rhienen**, Schoten, Belgium

[73] Assignee: **Euro United Corporation**, Oakville, Canada

[**] Term: **14 Years**

[21] Appl. No.: **29/098,229**

[22] Filed: **Dec. 22, 1998**

[30] **Foreign Application Priority Data**

Sep. 18, 1998 [CA] Canada 1998-2294

[51] **LOC (6) Cl.** **06-01**

[52] **U.S. Cl.** **D6/361**

[58] **Field of Search** D6/334, 335, 360, D6/361, 367, 368, 370, 374, 500, 501, 502; 297/377, DIG. 2

[56] **References Cited**

U.S. PATENT DOCUMENTS

- D. 278,392 4/1985 Bayly .
- D. 294,890 3/1988 Hubert .
- D. 296,849 7/1988 Cronk D6/361
- D. 326,584 6/1992 van de Ven .
- D. 327,377 6/1992 Grosfillex .
- D. 335,585 5/1993 Grosfillex .
- D. 335,775 5/1993 Lamalle .
- D. 336,998 7/1993 Grosfillex .
- D. 342,389 12/1993 Geniele et al. .
- D. 354,404 1/1995 Greene .

- D. 360,081 7/1995 Westerburgen .
- D. 376,268 12/1996 Grosfillex .
- D. 388,257 12/1997 Grosfillex D6/361

Primary Examiner—Gary D. Watson
Attorney, Agent, or Firm—Barrigar & Moss

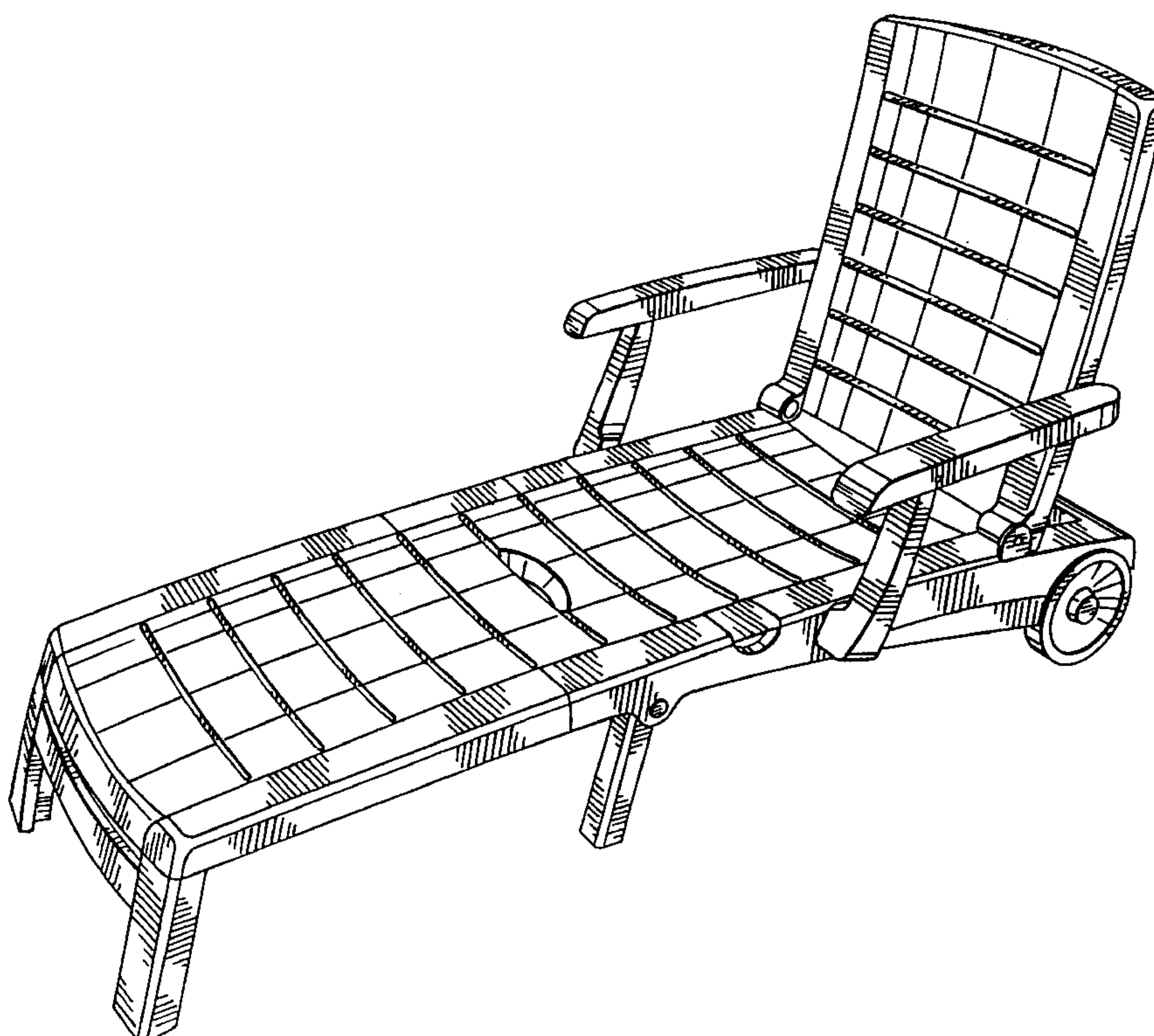
[57] **CLAIM**

The ornamental design for a folding chaise lounge with wheels, as shown and described.

DESCRIPTION

FIG. 1 is a perspective view of the design, said view showing the design in a first position with the back of the chaise lounge raised to a vertically extending position; FIG. 2 is a top view of the design in said first position; FIG. 3 is a left side view of the design in said first position; FIG. 4 is a front view of the design in said first position; FIG. 5 is a rear view of the design in said first position; FIG. 6 is a perspective view of the design in a second position wherein the back of the chaise lounge is lowered to a substantially horizontal position; FIG. 7 is a top view of the design in said second position; FIG. 8 is a left side view of the design in said second position; FIG. 9 is a front view of the design in said second position; and, FIG. 10 is a rear view of the design in said second position. FIGS. 2 through 5 have been shown on a larger scale with respect to FIG. 1 and FIGS. 7 through 10 have been shown on a larger scale with respect to FIG. 6 but FIG. 6 has also been shown on a larger scale with respect to FIG. 1.

1 Claim, 6 Drawing Sheets



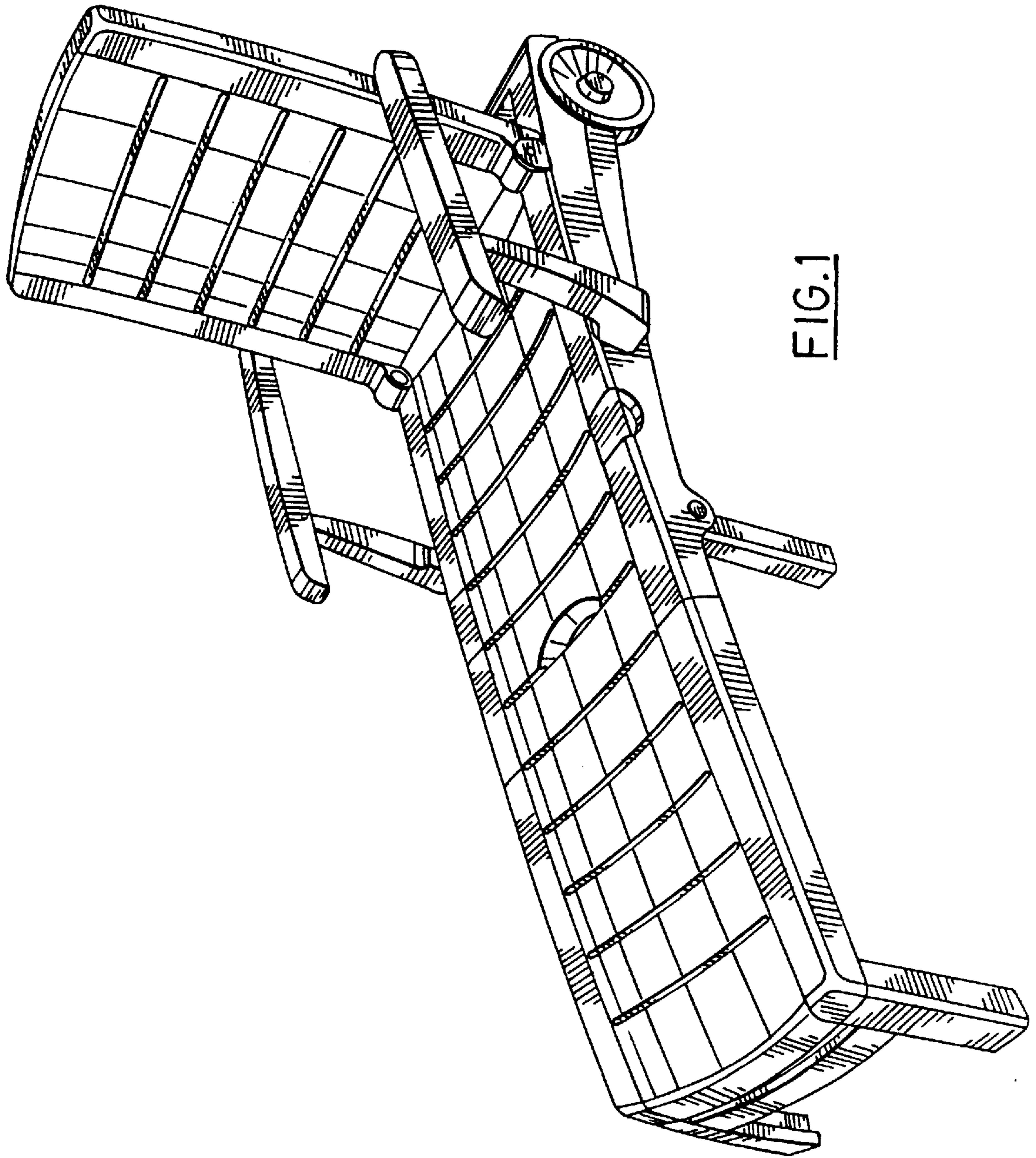


FIG. 1

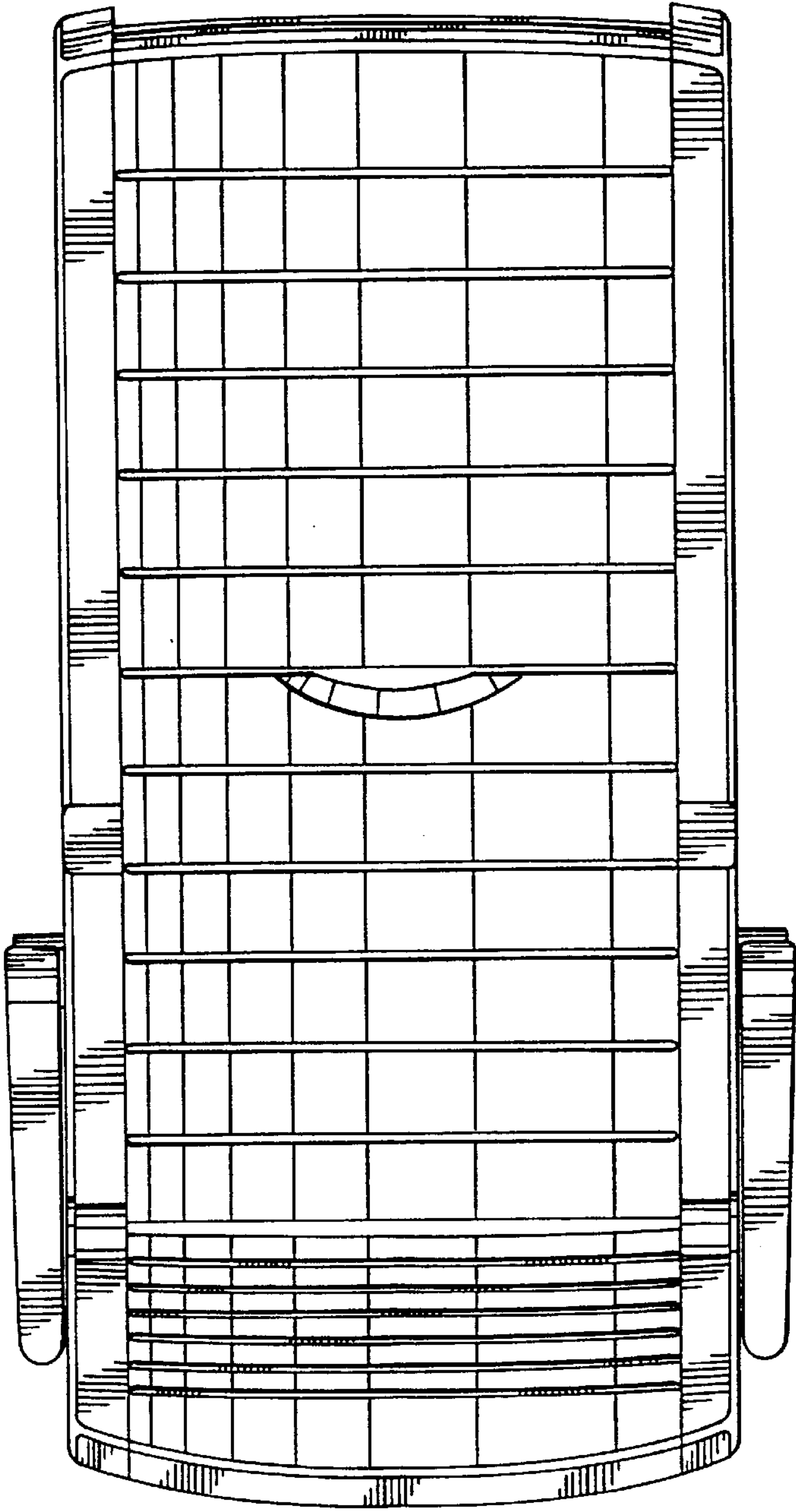


FIG. 2

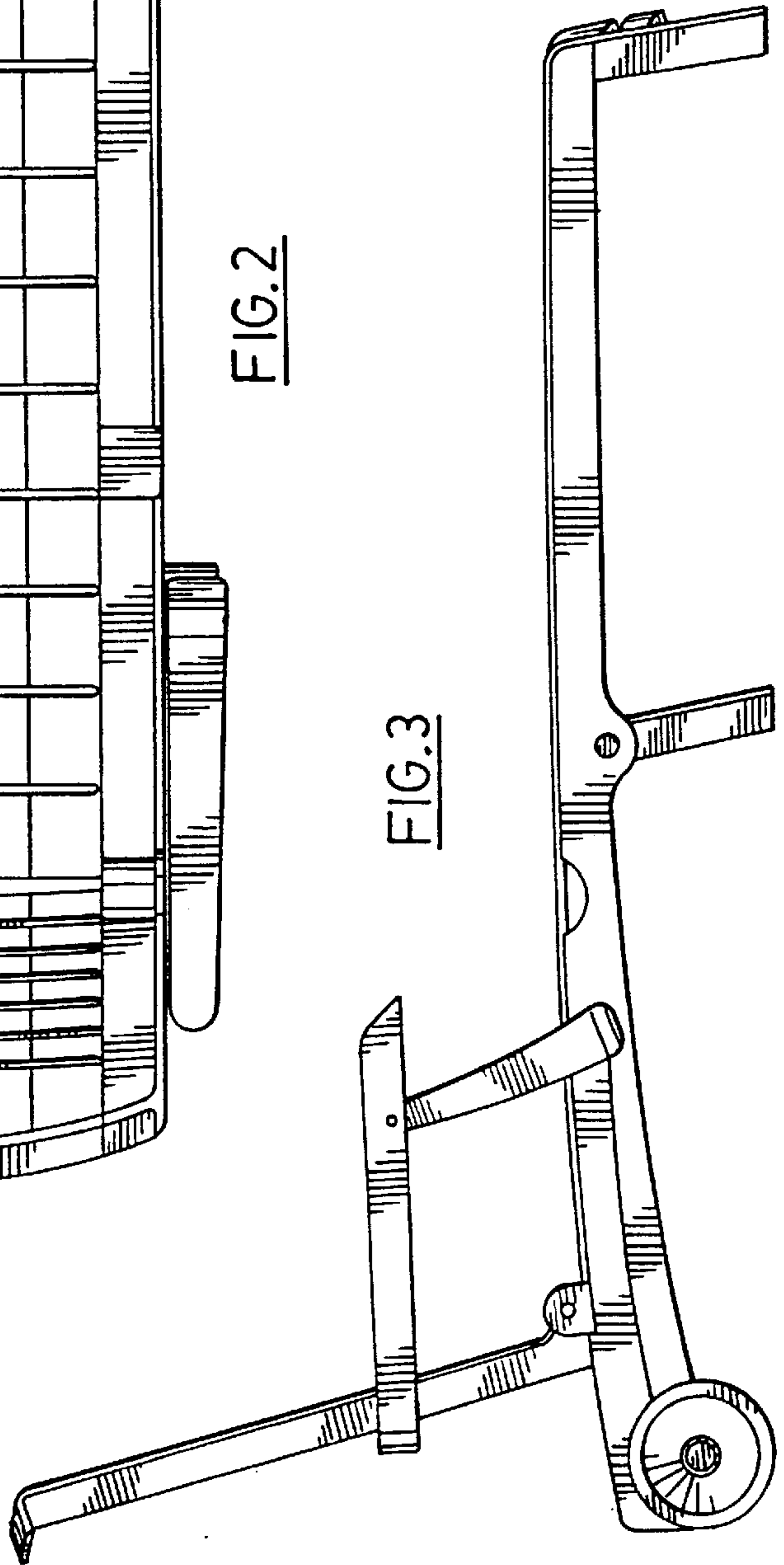


FIG. 3

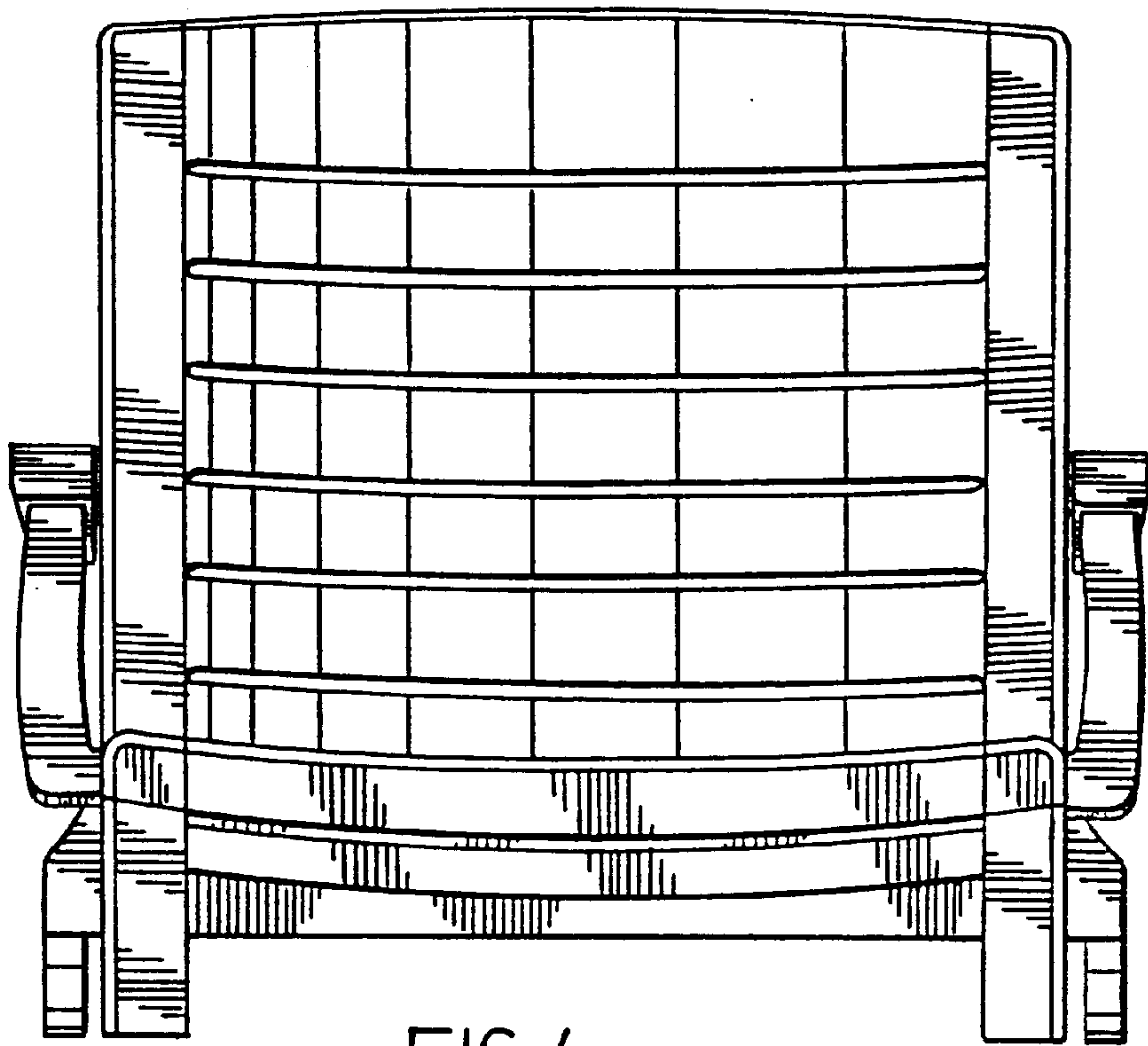


FIG. 4

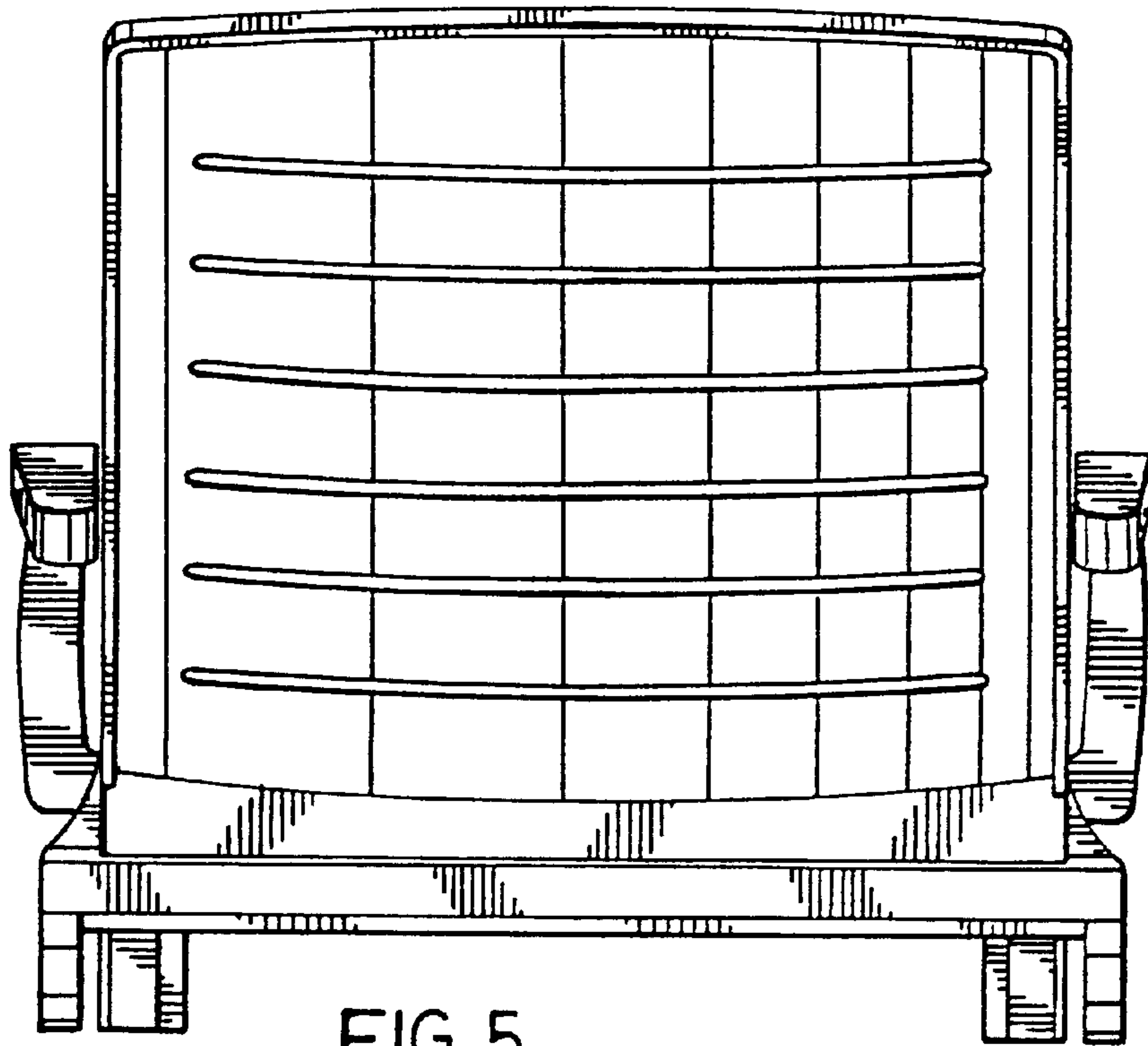


FIG. 5

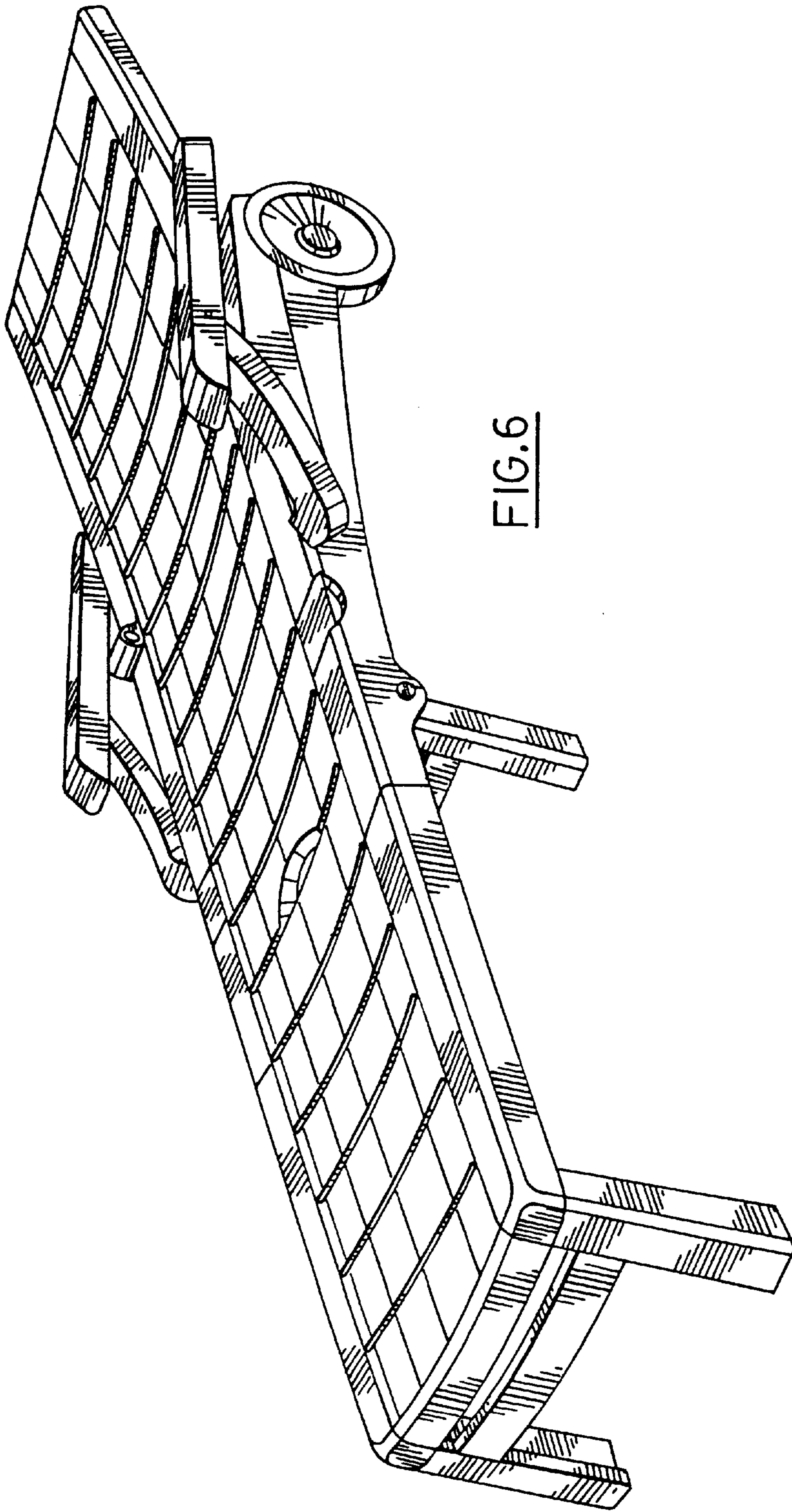


FIG. 6

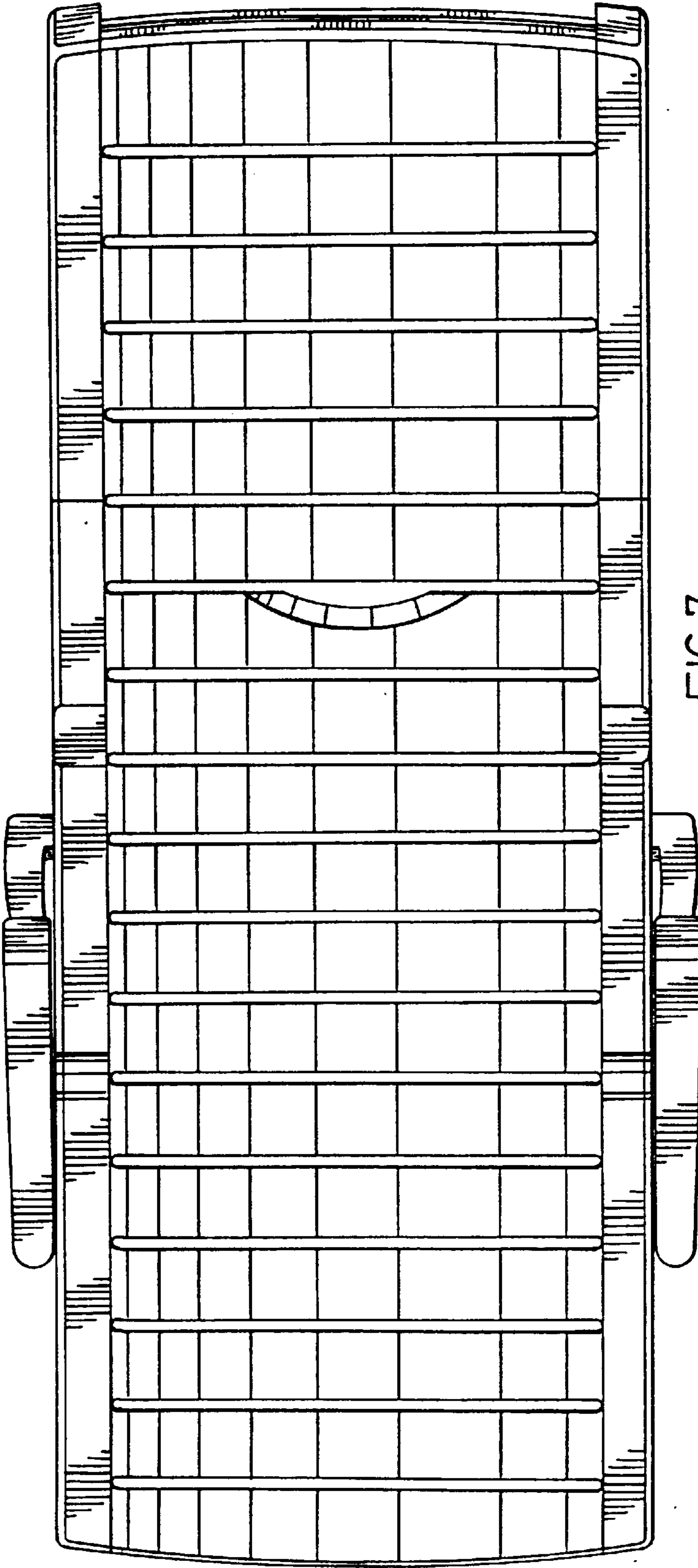


FIG. 7

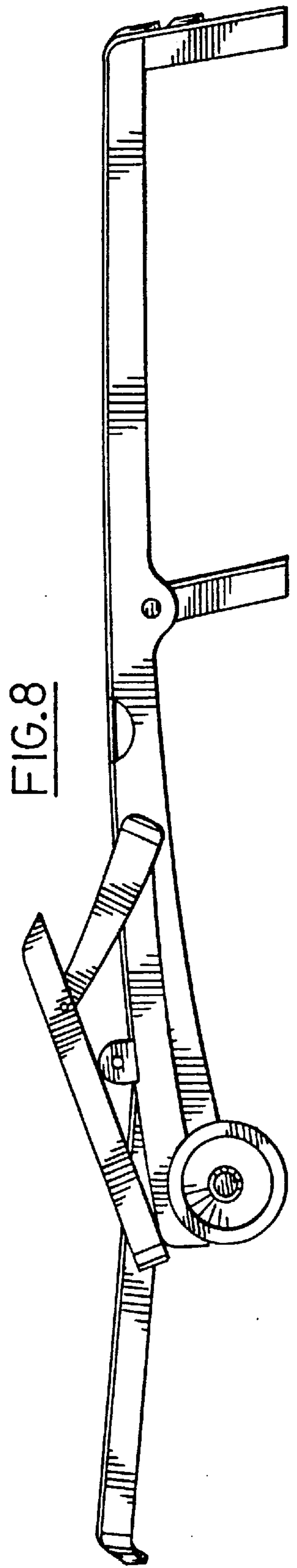


FIG. 8

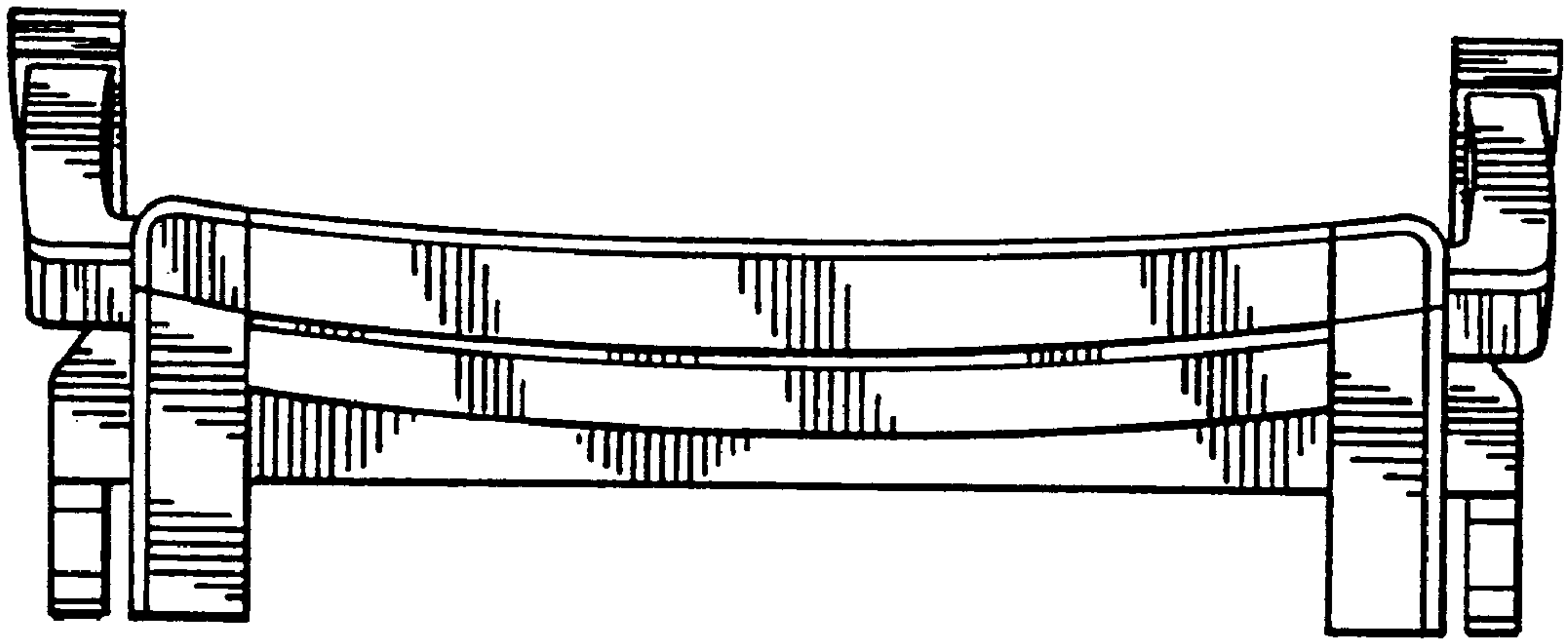


FIG. 9

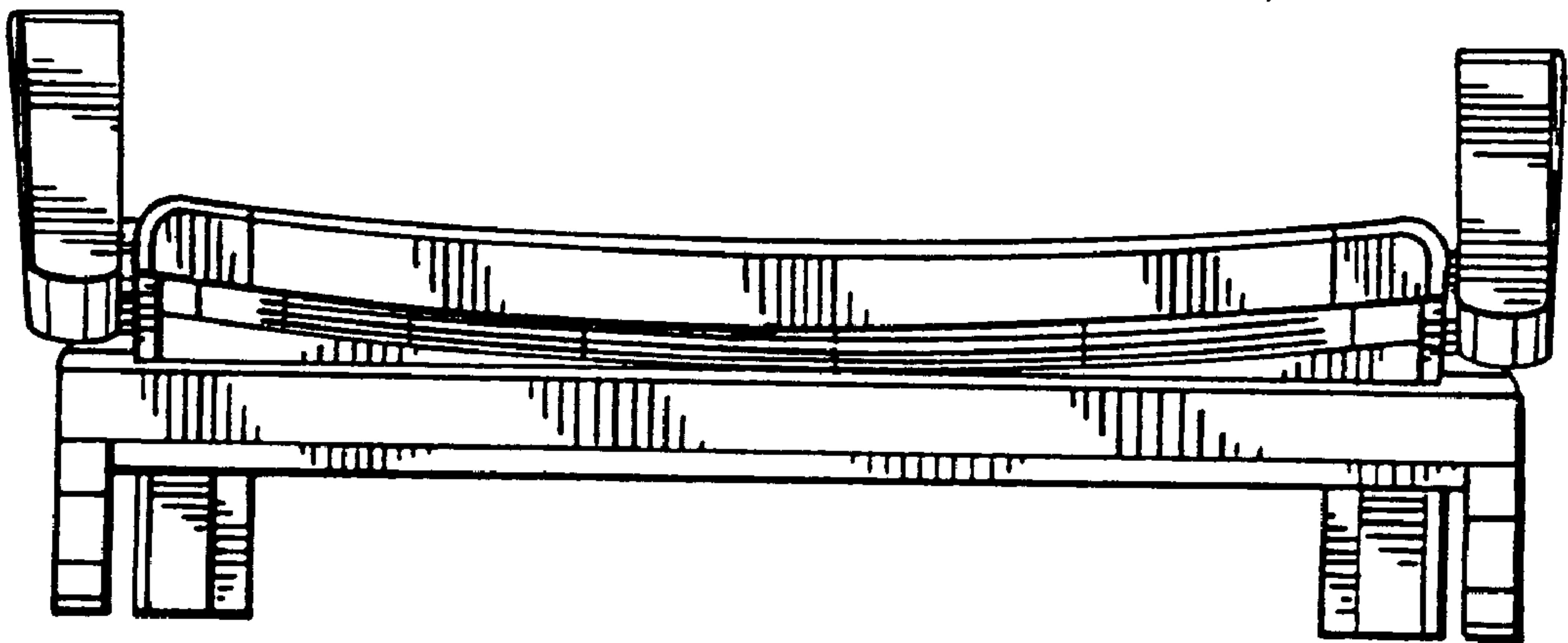


FIG. 10