



US00D414042S

United States Patent [19] Johnson

[11] **Patent Number: Des. 414,042**

[45] **Date of Patent: ** Sep. 21, 1999**

[54] **DECORATIVE FRAME**

[76] Inventor: **J. Keith Johnson**, 52 E. Broadway,
Gettysburg, Pa. 17325

[**] Term: **14 Years**

[21] Appl. No.: **29/095,615**

[22] Filed: **Oct. 27, 1998**

[51] **LOC (6) Cl. 06-07**

[52] **U.S. Cl. D6/304; D6/300**

[58] **Field of Search** D6/300-314; D20/29,
D20/30, 23-25; D11/133; 40/700, 711,
721, 722, 724, 734, 735, 738, 765, 790,
798, 800

[56] **References Cited**

U.S. PATENT DOCUMENTS

D. 21,665	6/1892	Hummel, Jr. .	
D. 23,451	7/1894	Neal et al. .	
D. 26,276	11/1896	Stein .	
D. 29,285	8/1898	Ridgway .	
D. 37,457	6/1905	Cooper .	
D. 38,510	4/1907	Bilek .	
D. 48,709	3/1916	Conway .	
D. 51,941	4/1918	Tondl .	
D. 52,233	7/1918	Balistreri .	
D. 54,784	3/1920	Smith	D6/301
D. 56,205	8/1920	Strong .	
D. 56,206	8/1920	Strong .	
D. 82,842	7/1930	Maggio .	
D. 111,960	11/1938	De Rauf	D6/300
D. 135,034	2/1943	Corwin et al. .	
D. 136,839	12/1943	Schmidhofer .	
D. 144,304	4/1946	Fisher	D29/20
D. 144,437	4/1946	Ylitalo	D29/20
D. 149,944	6/1948	Huffman	D29/20
D. 199,492	11/1964	Kindlund et al.	D29/20
D. 362,122	9/1995	Kong	D6/300

OTHER PUBLICATIONS

The Mirror Book, by H. Schiffer, c1983, p. 149, #369 mirror at bottom left.

The Mirror Book, by H. Schiffer, c1983, p. 164, #417 mirror at top left.

The Mirror Book, by H. Schiffer, c1983, p. 152, #378 mirror at top right.

English Furniture From Gothic to Sheraton, by Herbert Cescinsky (published by Bonanza Books, New York) pp. 198 and 360.

American Antique Furniture, by Edgar G. Miller, Jr., vol. Two (published by Dover Publications, Inc.) New York, New York), p. 630.

The Mirror Book, English American & European, by Herbert F. Schiffer (published by Schiffer Publishing Limited, Exton, Penn. 19341), (11 pages total).

Furniture Treasury, vols. I and II in One, Unabridged, by Wallace Nutting, (The Macmillan Co., New York, New York, Tenth Printing 1972), picture Nos. 2843-2876.

American Furniture, Queen Anne and Chippendale Periods in the Henry Francis duPont Winterthur Museum, by Joseph Downs (The Viking Press, New York 1967), item Nos. 244 & 245.

American Furniture, A Complete Guide to Seventeenth, Eighteenth, and Early Nineteenth Century Style, by Helen Comstock (The Macmillan Co. of Canada, Ltd. 1962), item Nos. 340-344.

Primary Examiner—Janice E. Seeger

Attorney, Agent, or Firm—Antonelli, Terry, Stout & Kraus, LLP

[57] **CLAIM**

The ornamental design for a decorative frame, as shown and described.

DESCRIPTION

Reference is made to the following six design patent applications which are filed on even date herewith which also claim decorative frames: (1) U.S. Ser. No. 29/095,616 (Attorney Ref: 321.850D00); (2) U.S. Ser. No. 29/095,618 (Attorney Ref: 321.852D00); (3) U.S. Ser. No. 29/095,617 (Attorney Ref: 321.853D00); (4) U.S. Ser. No. 29/095,653 (Attorney Ref: 321.854D00); (5) U.S. Ser. No. 29/095,654 (Attorney Ref: 321.855D00); and (6) U.S. Ser. No. 29/095,655 (Attorney Ref: 321.856D00).

FIG. 1 is a front view of the invention;

FIG. 2 is a rear view of the invention;

FIG. 3 is a top view of the invention;

FIG. 4 is a bottom view of the invention;

FIG. 5 is a left side view of the invention; and,

FIG. 6 is a right side view of the invention.

Unclaimed subject matter is shown in dotted line format.

1 Claim, 4 Drawing Sheets

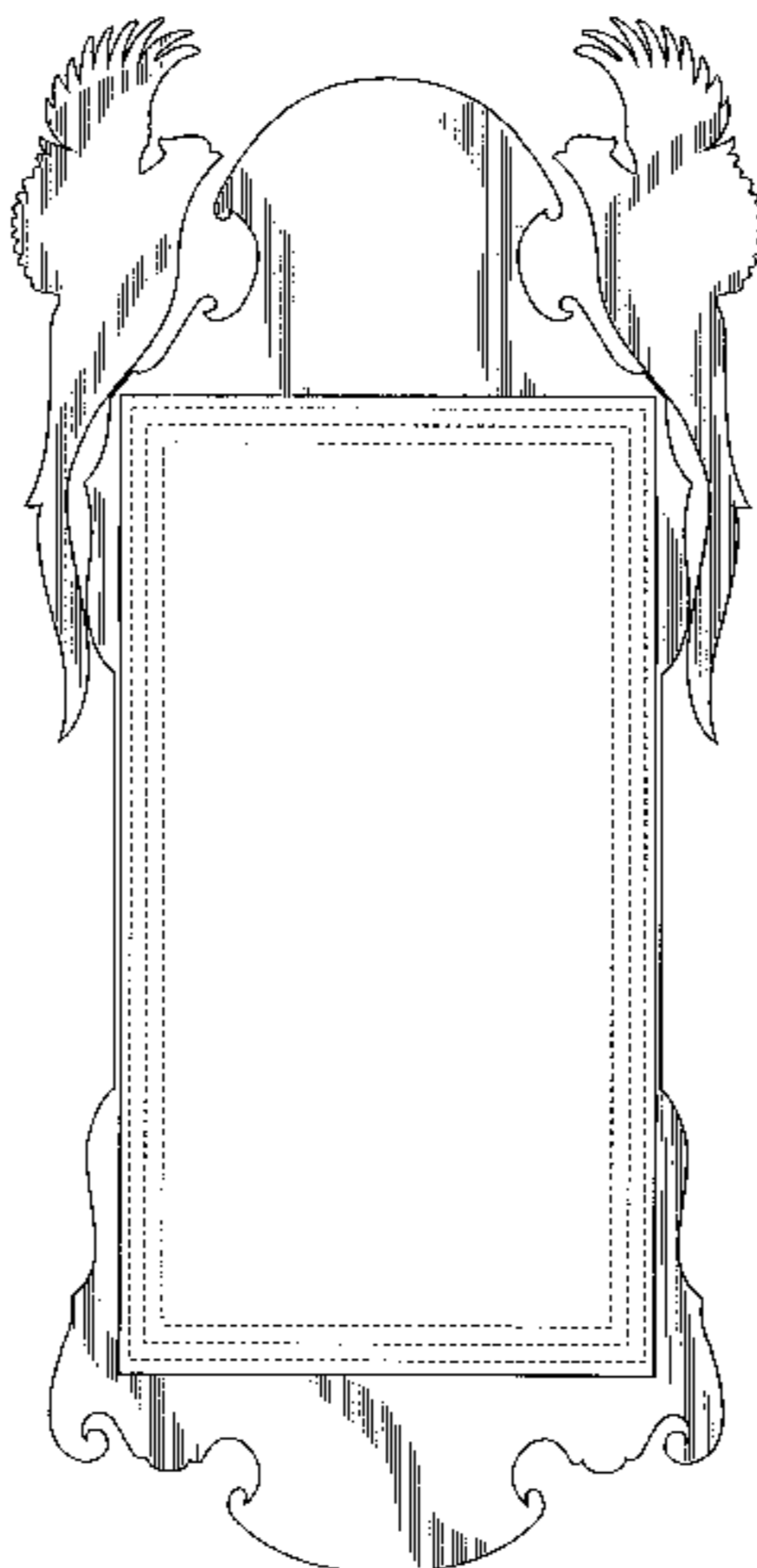


FIG. 1

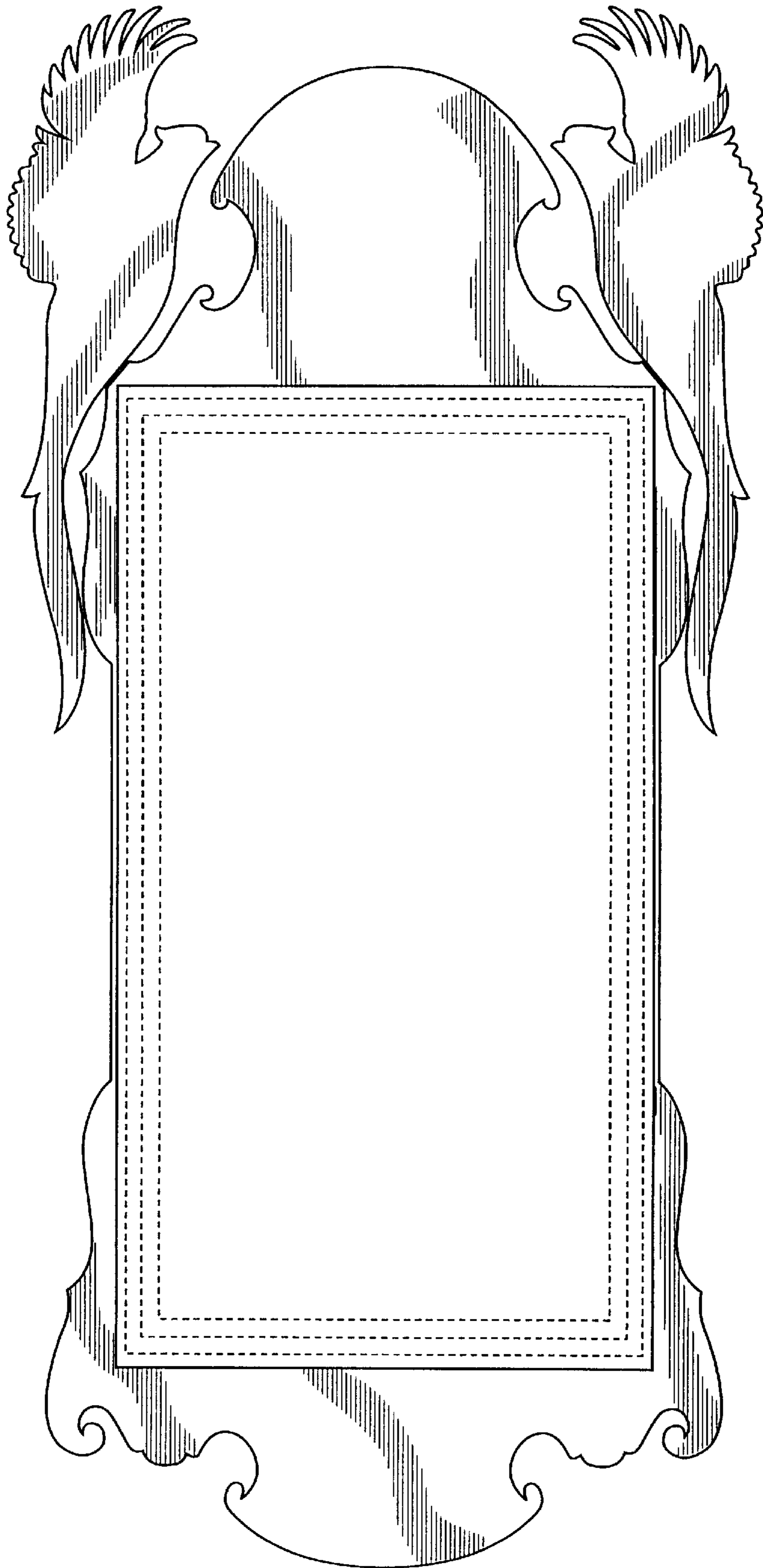


FIG. 2

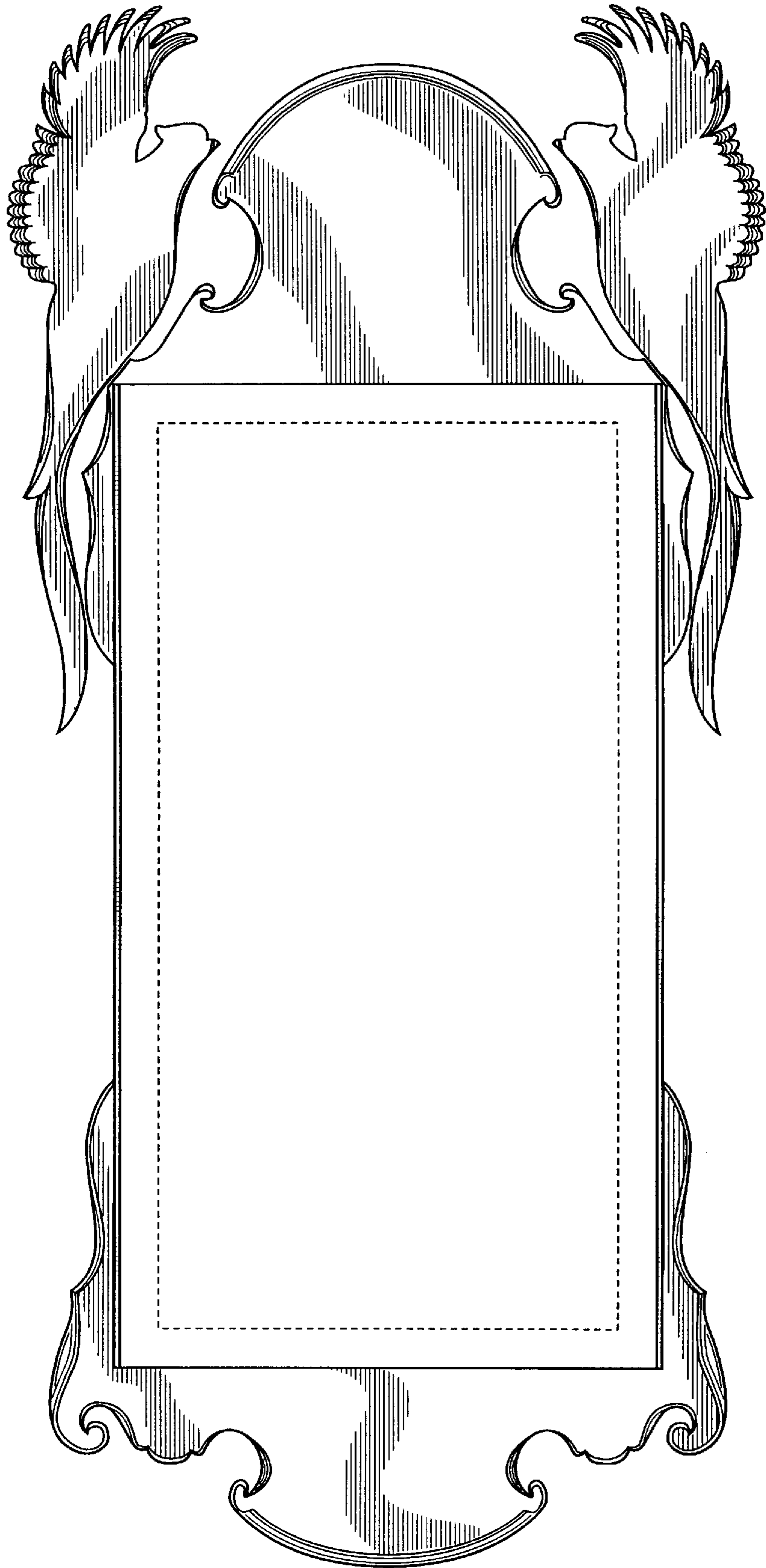


FIG. 3

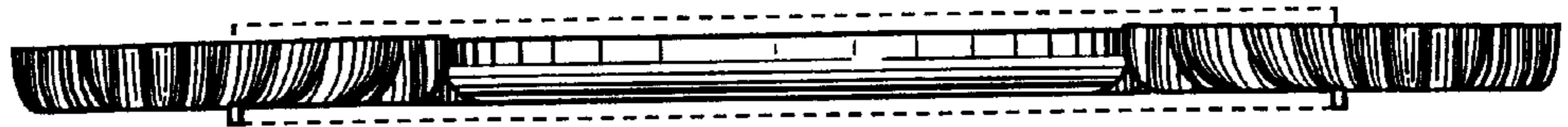


FIG. 4

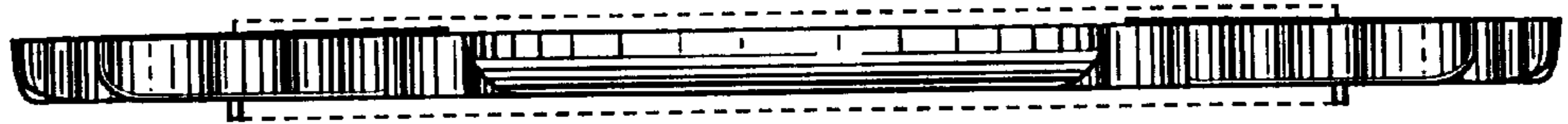


FIG. 5



FIG. 6

