



US00D414039S

United States Patent [19]

Doucet

[11] Patent Number: Des. 414,039

[45] Date of Patent: ** Sep. 21, 1999

[54] WELDING LEAD CADDY

5,836,446 11/1998 Varnom 206/373

[76] Inventor: Brian A. Doucet, 1686 Veterans Mem.Hwy., Lot 103, Eunice, La. 70535

Primary Examiner—Louis S. Zarfes
Assistant Examiner—Catherine R. Oliver
Attorney, Agent, or Firm—Robert N. Montgomery

[**] Term: 14 Years

[57] CLAIM

[21] Appl. No.: 29/084,798

The ornamental design for a welding lead caddy, as shown and described.

[22] Filed: Mar. 9, 1998

[51] LOC (6) Cl. 03-01

[52] U.S. Cl. D3/315

[58] Field of Search D3/315, 307, 317, D3/328, 228; D6/512; 206/726, 373, 374; 211/70.1, 70.6; 224/902, 15, 131; D15/144, 140; D8/71, 72

DESCRIPTION

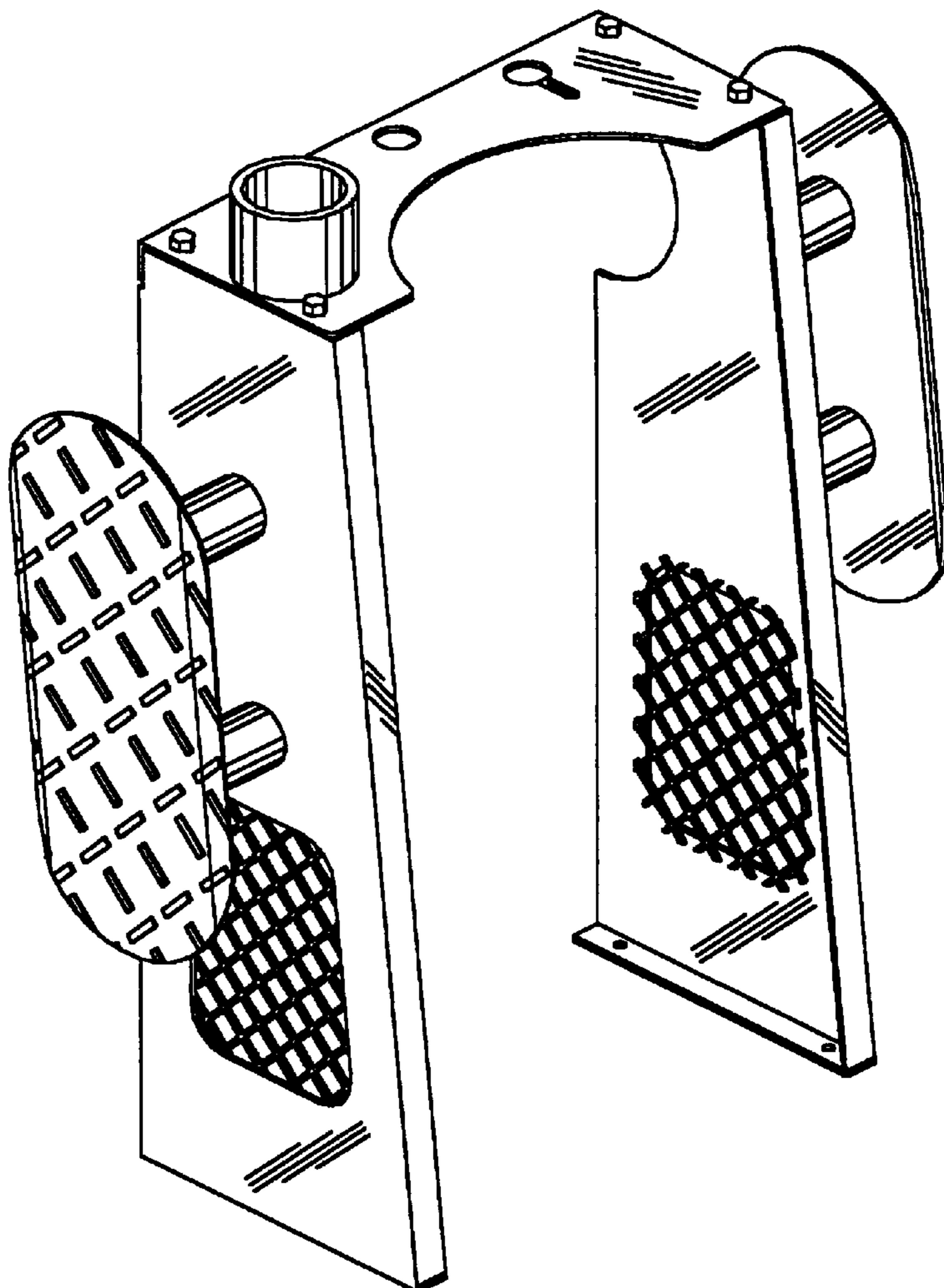
[56] References Cited

U.S. PATENT DOCUMENTS

D. 234,744	4/1975	McCue	D8/71
D. 330,283	10/1992	Betts	D3/315
D. 342,881	1/1994	Hoke	D15/140
D. 351,885	10/1994	Gonthier	D3/315 X
5,704,667	1/1998	Lin	294/15

FIG. 1 is a front perspective view of the welding lead caddy; FIG. 2 is a rear perspective view of the welding lead caddy; FIG. 3 is a left side elevation view of the welding lead caddy; FIG. 4 is a right side elevation view of the welding lead caddy; FIG. 5 is a front elevation view of the welding lead caddy; FIG. 6 is a top view of the welding lead caddy; FIG. 7 is a rear elevation view of the welding lead caddy; and, FIG. 8 is a bottom view of the welding lead caddy.

1 Claim, 4 Drawing Sheets



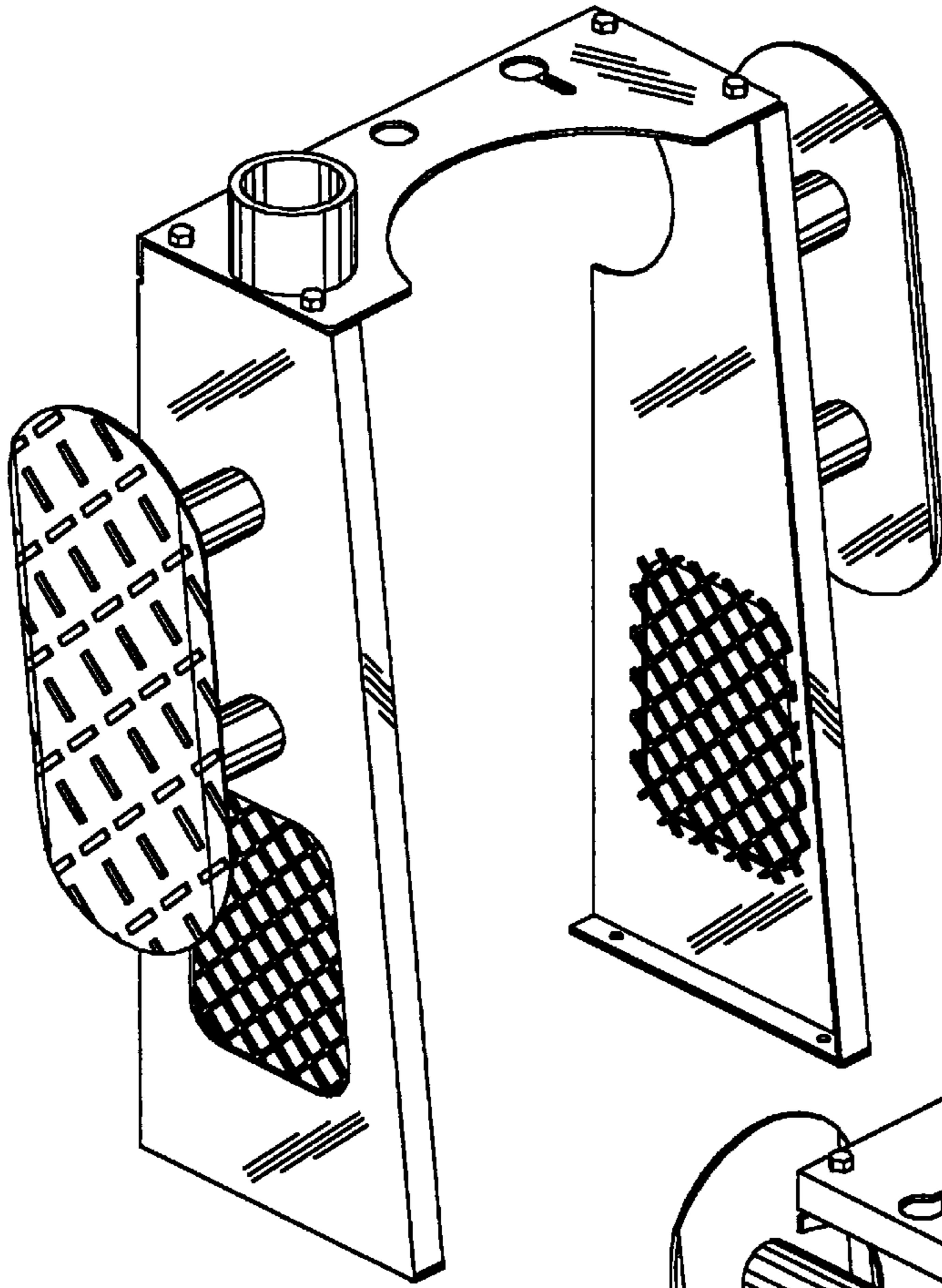


FIG. 1

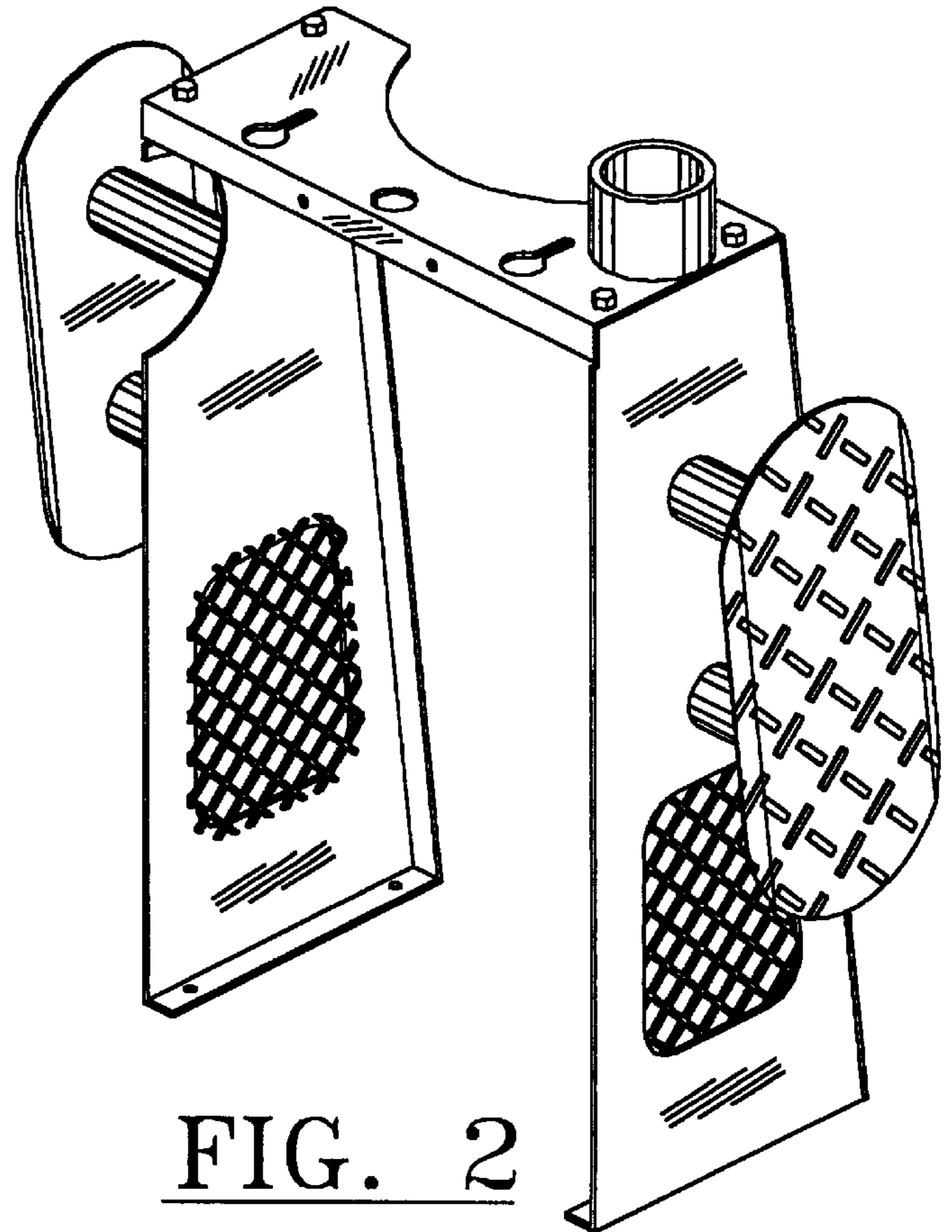


FIG. 2

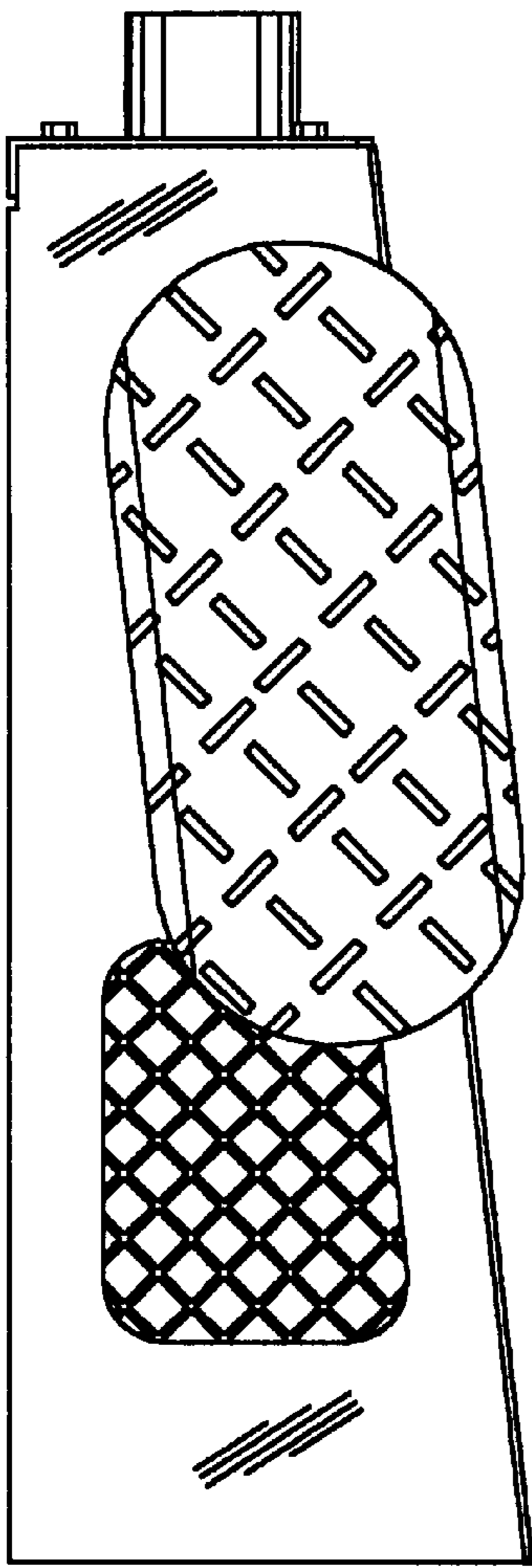


FIG. 3

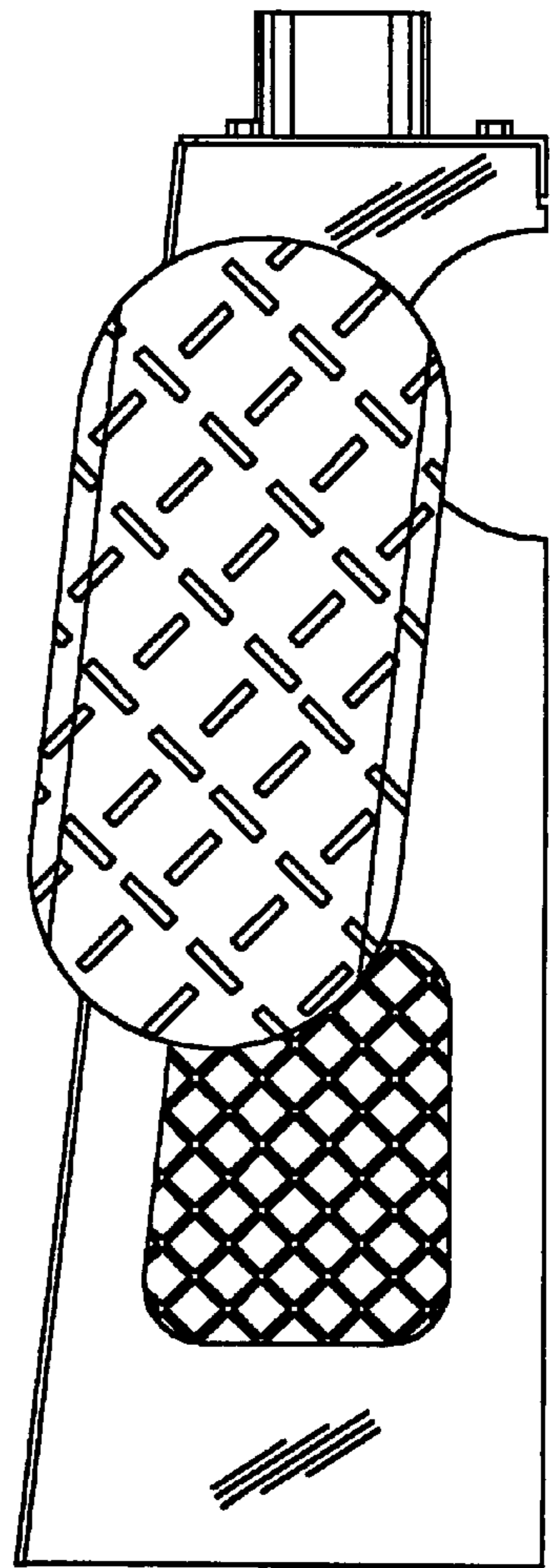


FIG. 4

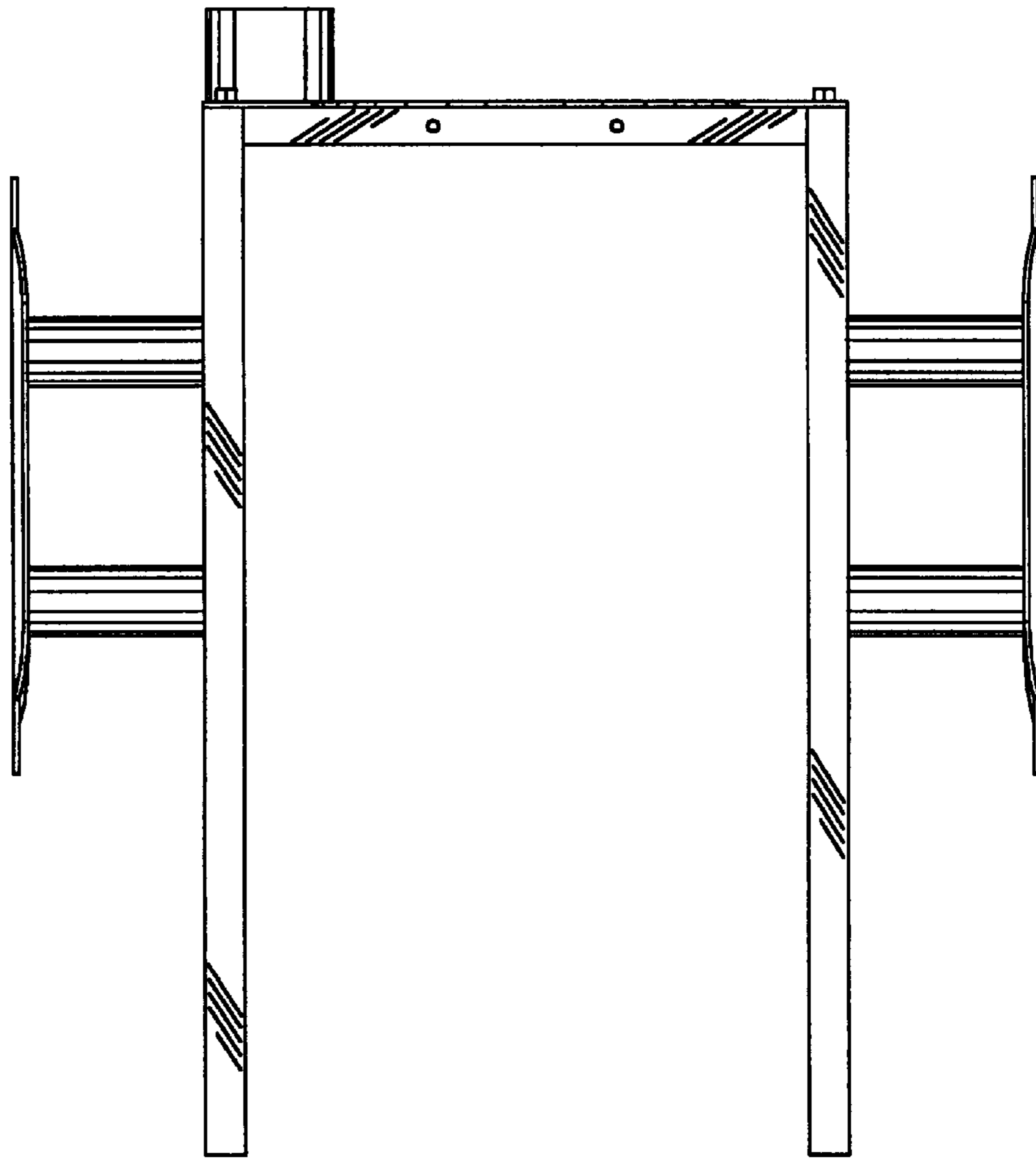


FIG. 5

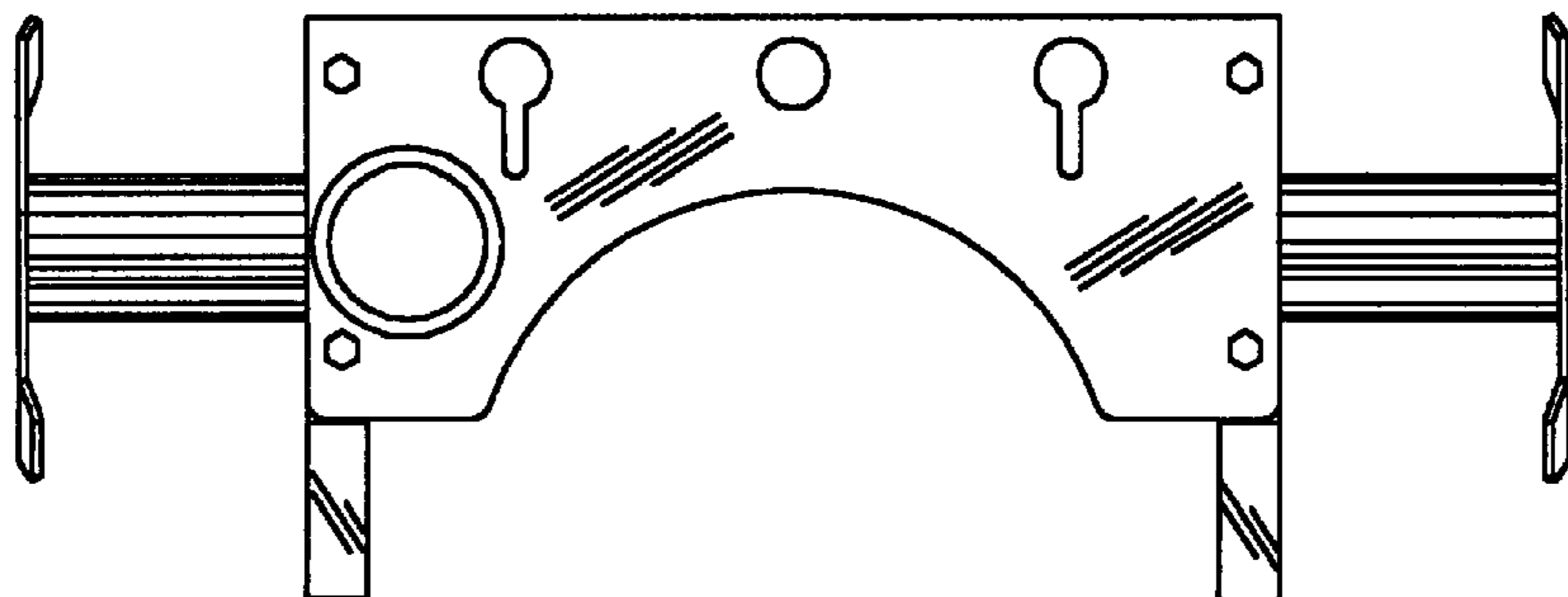


FIG. 6

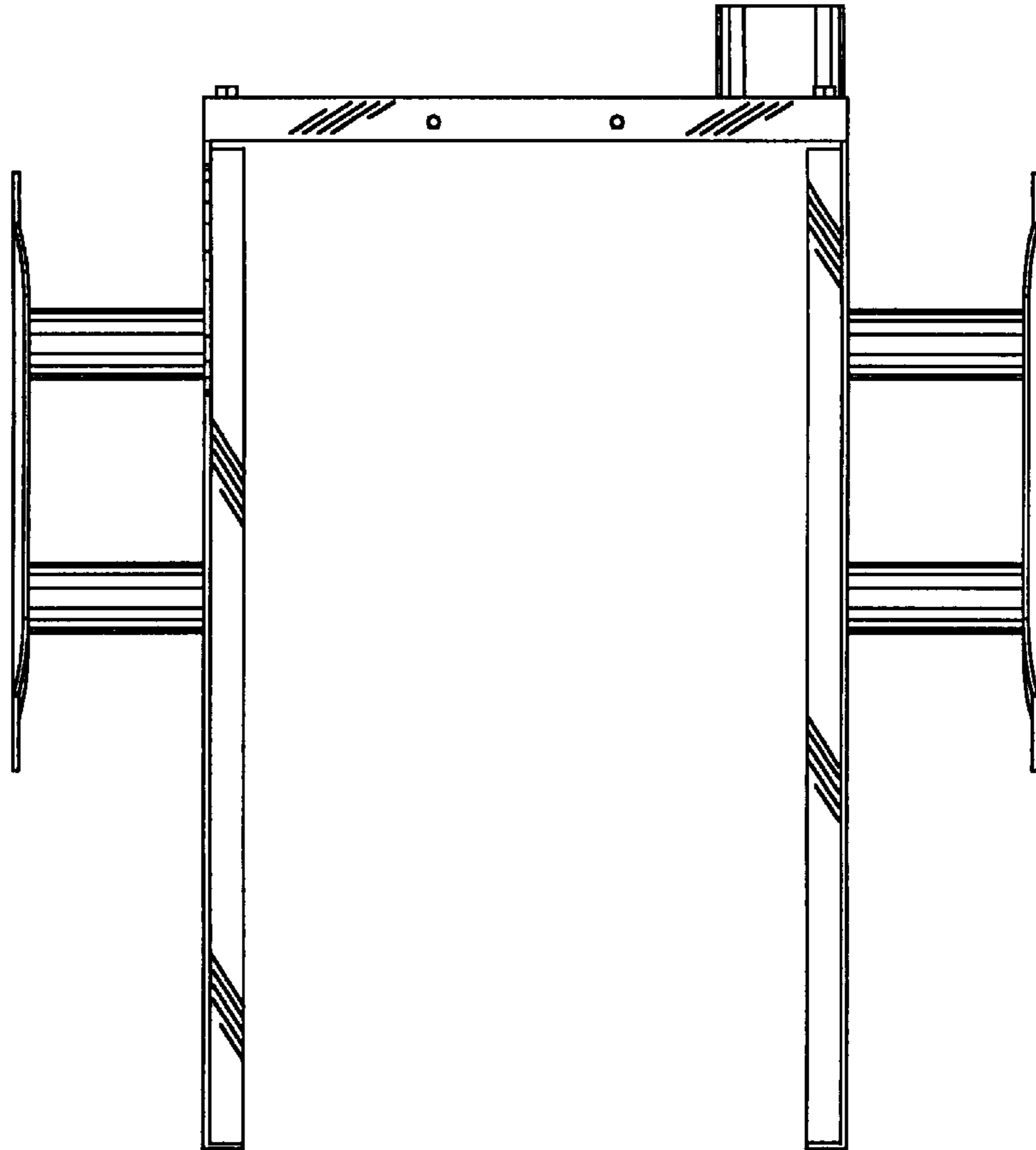


FIG. 7

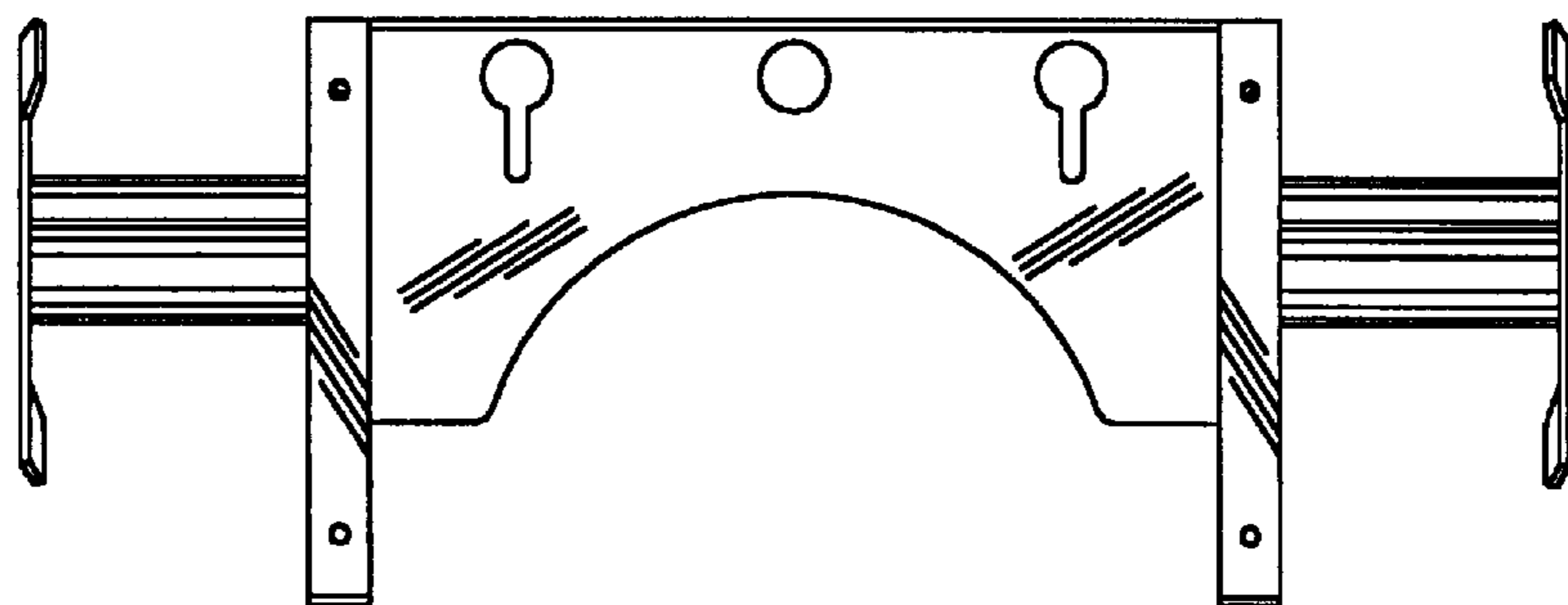


FIG. 8