



US00D414038S

United States Patent [19] van Rhienen

[11] Patent Number: **Des. 414,038**

[45] Date of Patent: **** Sep. 21, 1999**

[54] **PORTABLE STORAGE CONTAINER**

[75] Inventor: **Alphons van Rhienen**, Schoten, Belgium

[73] Assignee: **Euro United Corporation**, Oakville, Canada

[**] Term: **14 Years**

[21] Appl. No.: **29/094,175**

[22] Filed: **Sep. 28, 1998**

[30] **Foreign Application Priority Data**

Sep. 6, 1998 [CA] Canada 1998-1882

[51] **LOC (6) Cl.** **03-01**

[52] **U.S. Cl.** **D3/302; D3/276; D3/273**

[58] **Field of Search** D3/302, 272, 273, D3/276, 905; D9/420, 423, 424; 206/508, 510, 509; 220/355

[56] **References Cited**

U.S. PATENT DOCUMENTS

- D. 230,829 3/1974 Roper .
- D. 251,586 4/1979 Levehagen D9/219
- D. 286,937 11/1986 Schafer D34/43
- D. 319,016 8/1991 Kahl D9/424
- D. 349,646 8/1994 Dickinson D9/423
- D. 355,118 2/1995 Dickinson et al. D9/425
- D. 361,511 8/1995 Dickinson et al. D9/425
- D. 370,345 6/1996 Wolff D3/312
- D. 373,953 9/1996 Gale D9/425
- D. 374,555 10/1996 McMath D3/272
- D. 374,772 10/1996 Hotaling et al. D3/276
- D. 378,552 3/1997 Lippisch D9/425

- D. 382,112 8/1997 Egan D3/273
- D. 385,110 10/1997 Yemini D3/276
- D. 386,336 11/1997 Douglas D6/510
- 3,419,184 12/1968 Asenbauer 206/508
- 3,938,688 2/1976 Ryan 206/545
- 5,564,805 10/1996 Dickinson 206/508

Primary Examiner—Philip S. Hyder
Attorney, Agent, or Firm—Barrigar & Moss

[57] **CLAIM**

The ornamental design for a portable storage container, as shown and described.

DESCRIPTION

FIG. 1 is a perspective view of a first embodiment of the design;
 FIG. 2 is a left side elevational view of the first embodiment of the design, the right side being identical in appearance;
 FIG. 3 is an end elevational view of the first embodiment of the design, each end having the same appearance;
 FIG. 4 is a top view of the first embodiment of the design;
 FIG. 5 is a bottom view of the first embodiment of the design;
 FIG. 6 is a perspective view of a second embodiment of the design;
 FIG. 7 is a left side elevational view of the second embodiment of the design, the right side being identical in appearance;
 FIG. 8 is an end elevational view of the second embodiment of the design, each end having the same appearance;
 FIG. 9 is a top view of the second embodiment of the design; and,
 FIG. 10 is a bottom view of the second embodiment of the design.

1 Claim, 6 Drawing Sheets

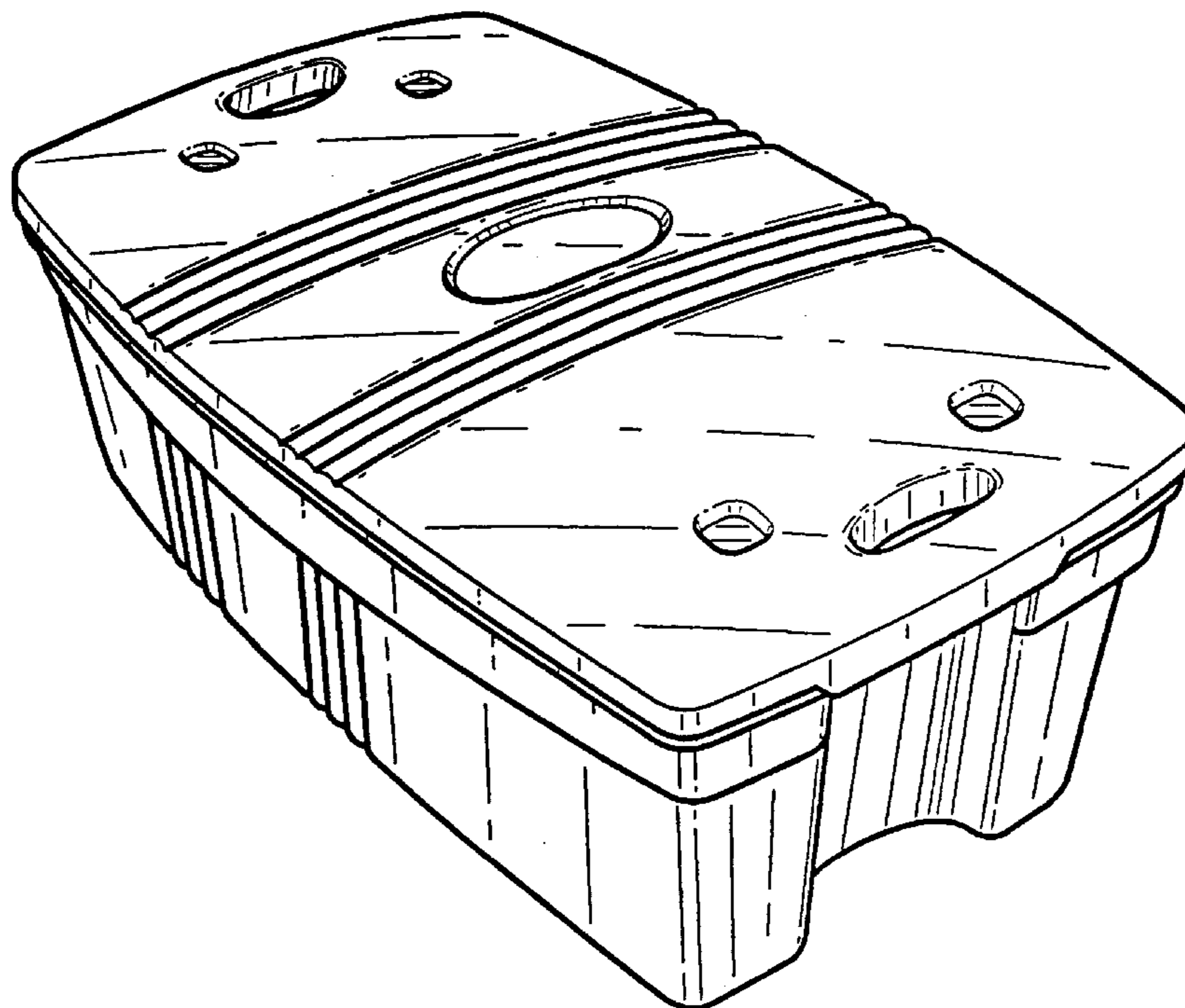


Fig. 1

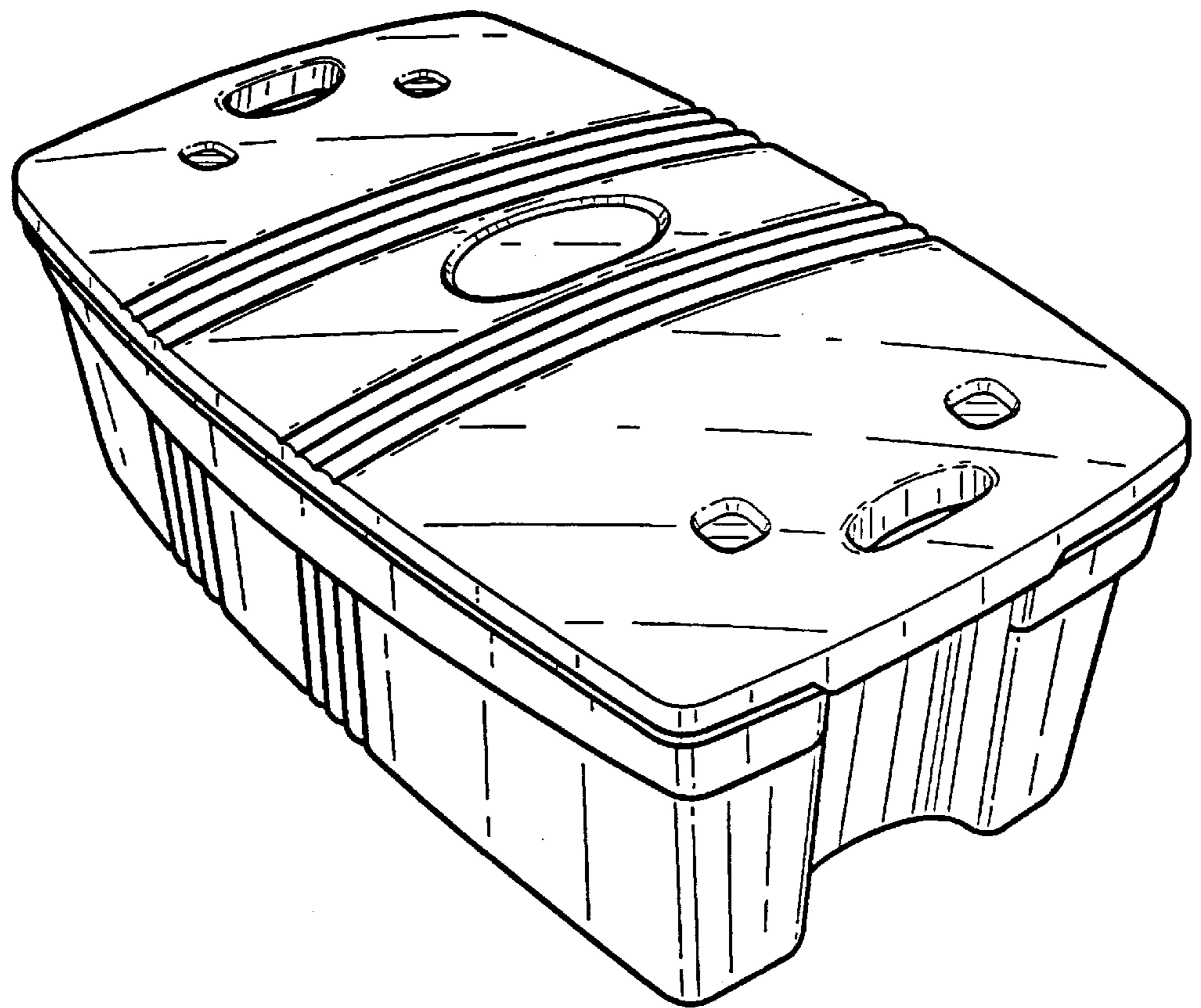


Fig. 2

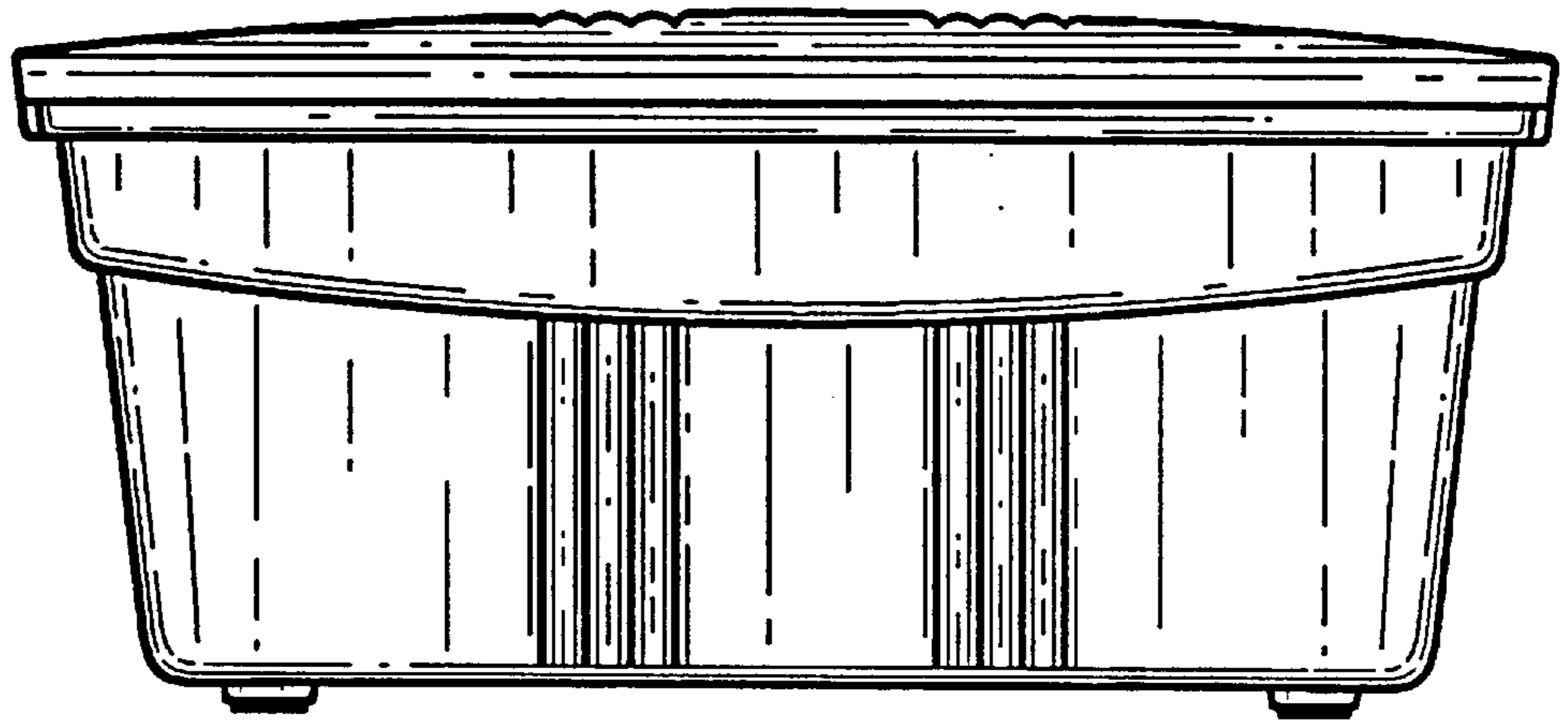


Fig. 3

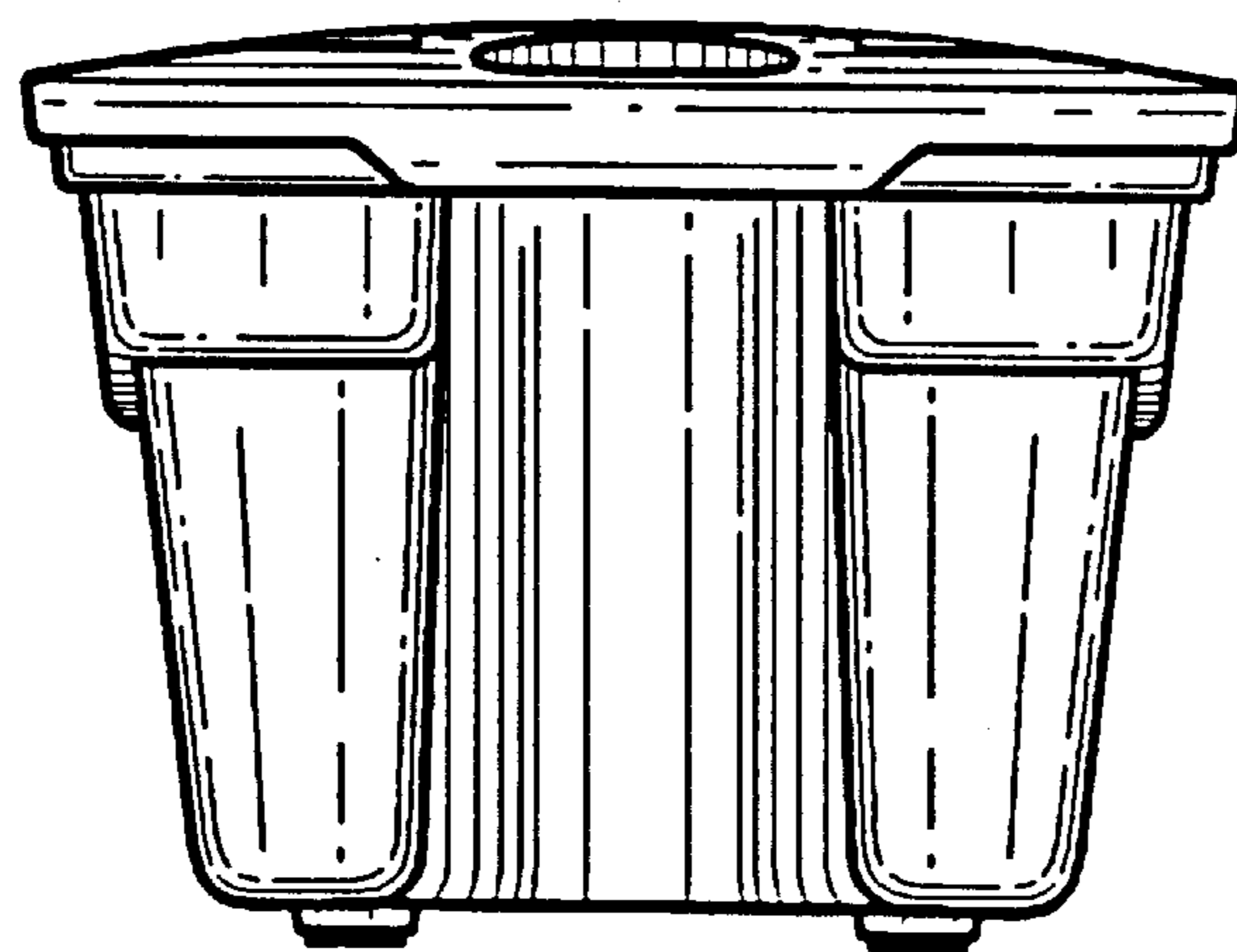


Fig. 4

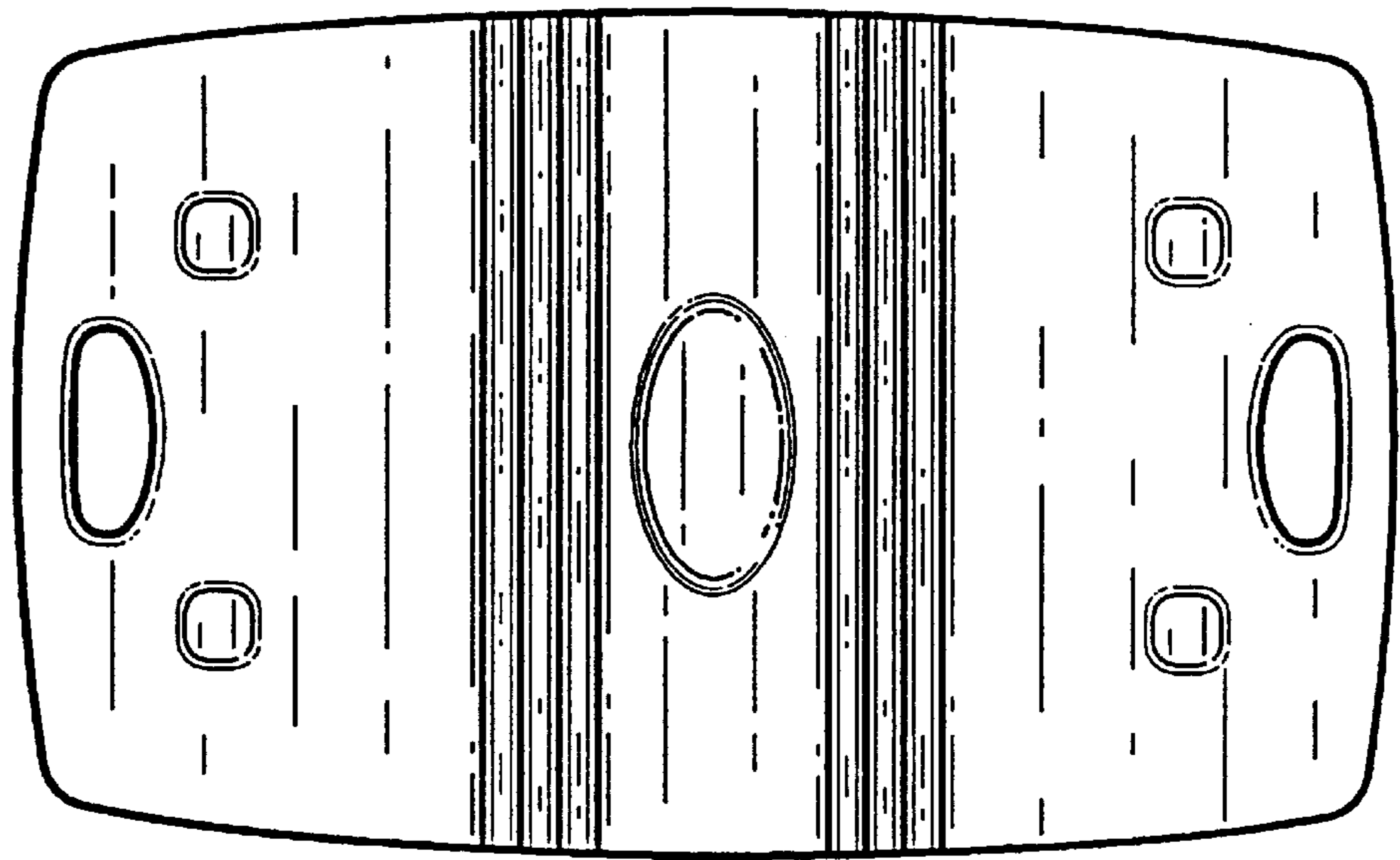


Fig. 5

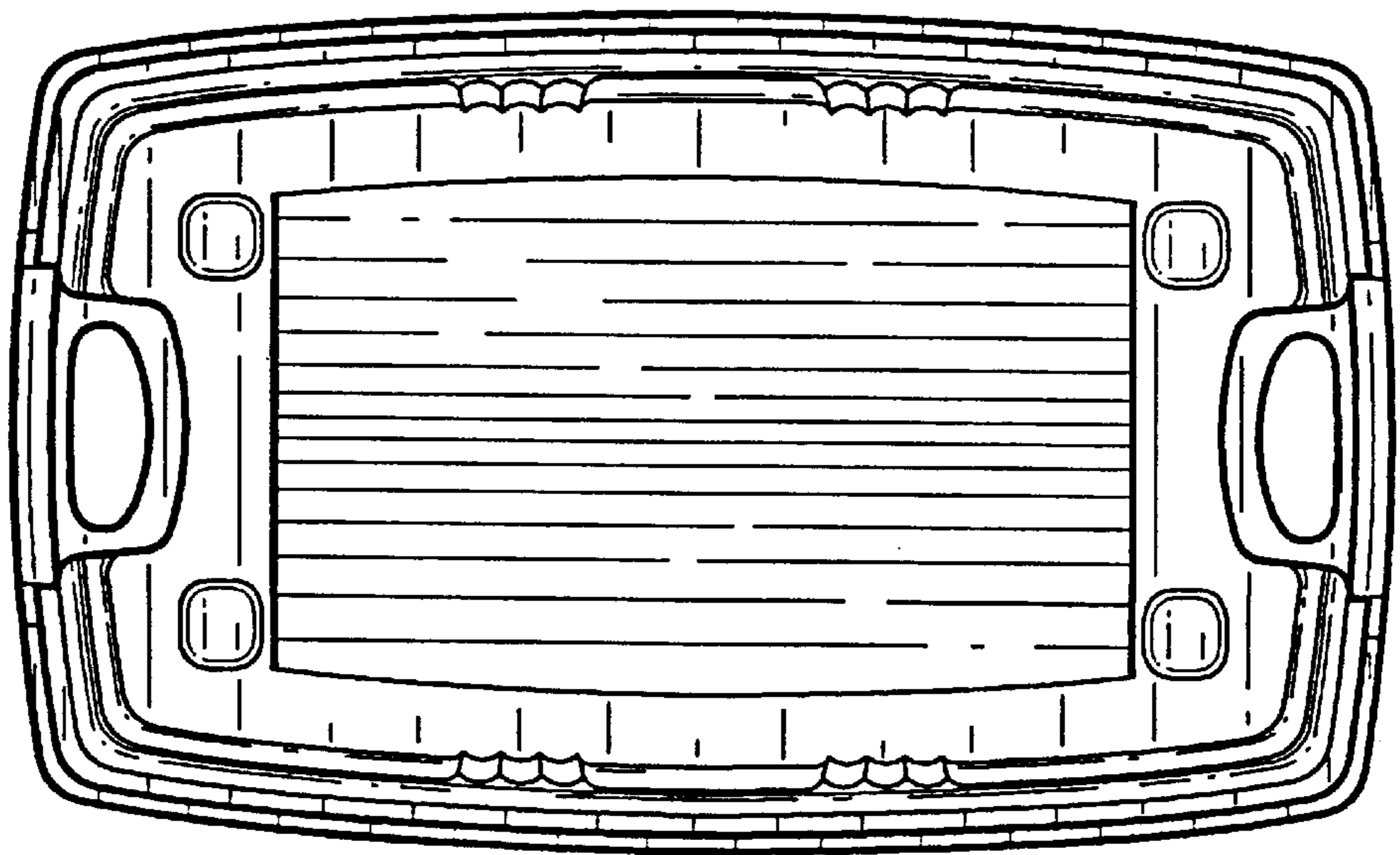


Fig. 6

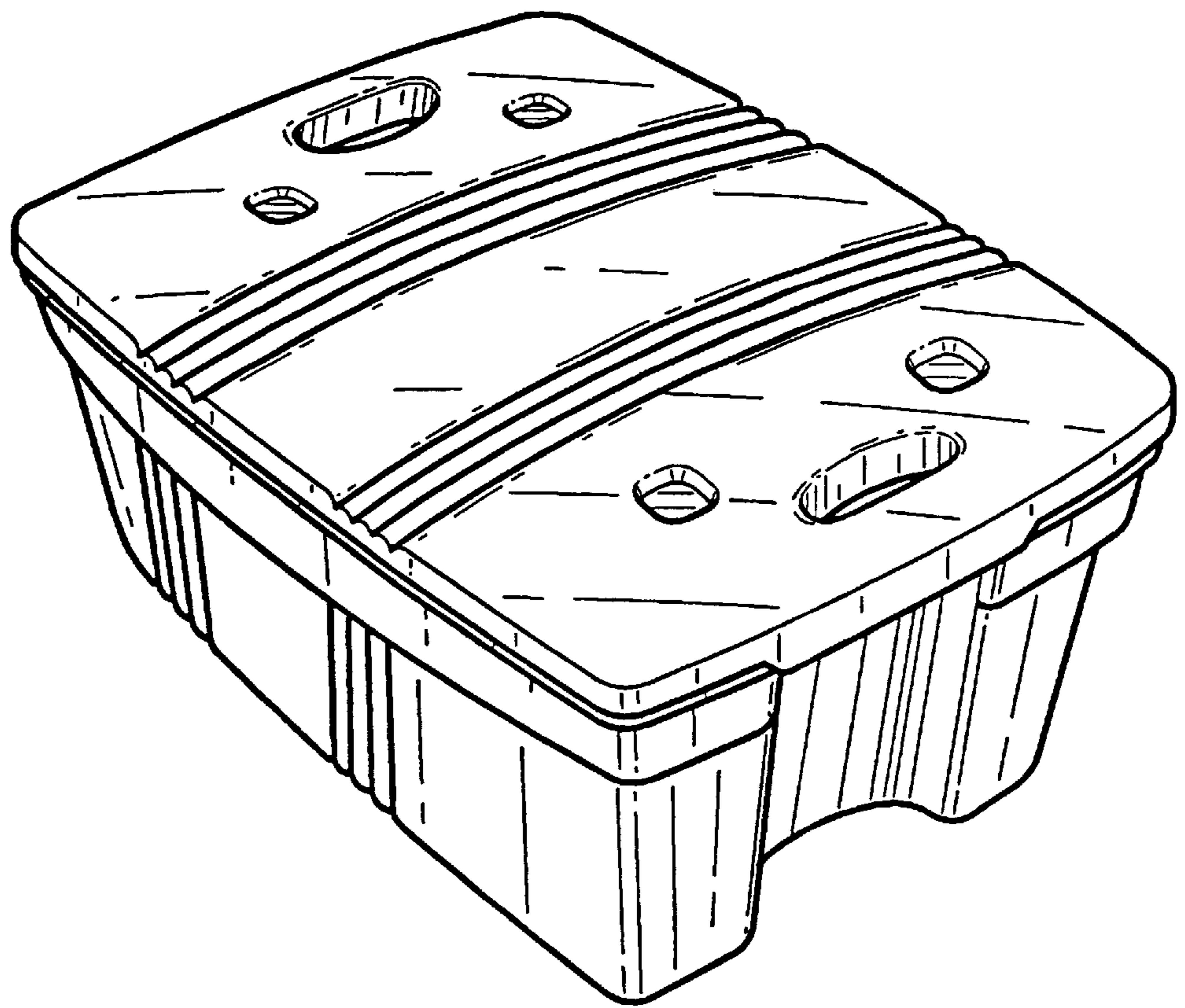


Fig. 7

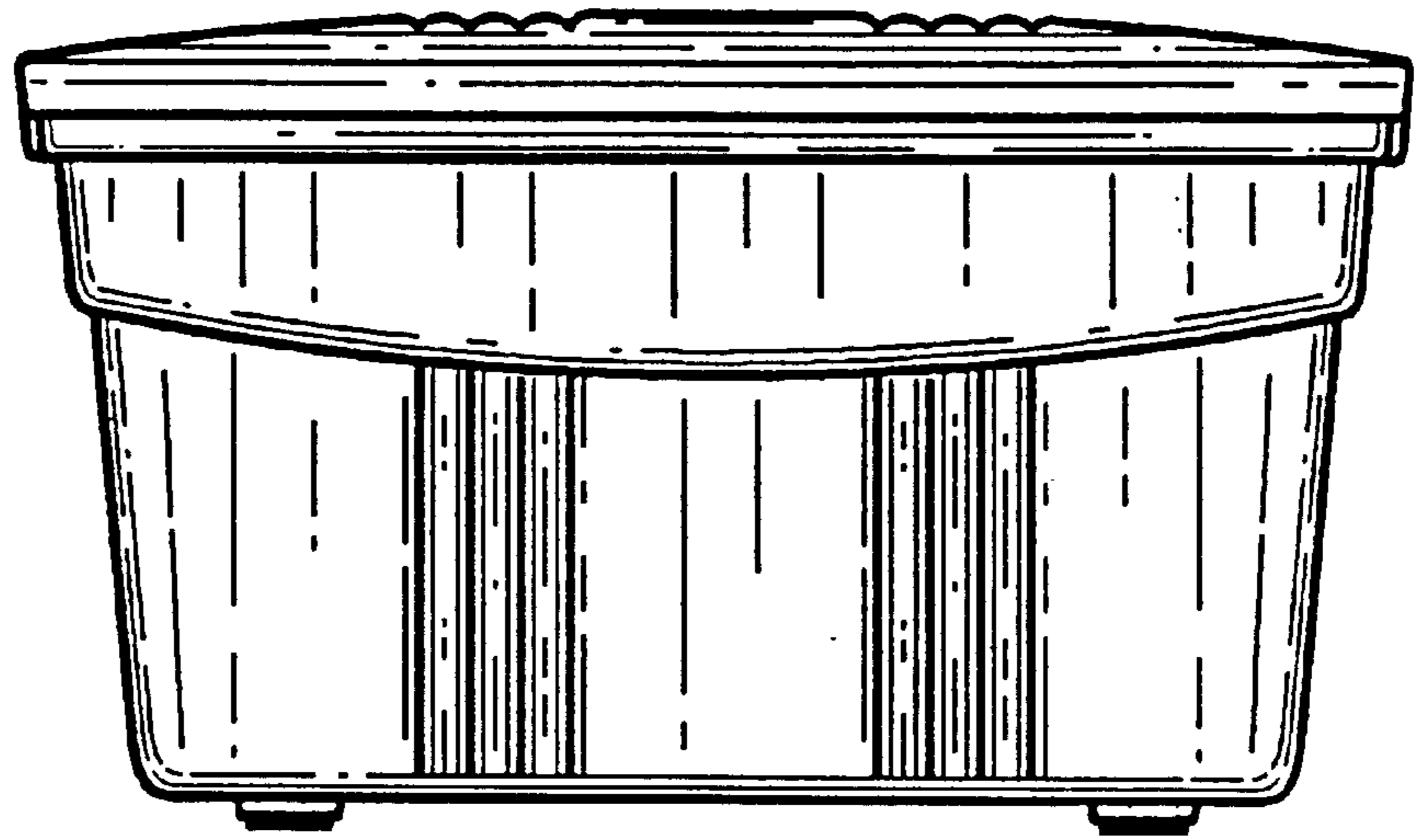


Fig. 8

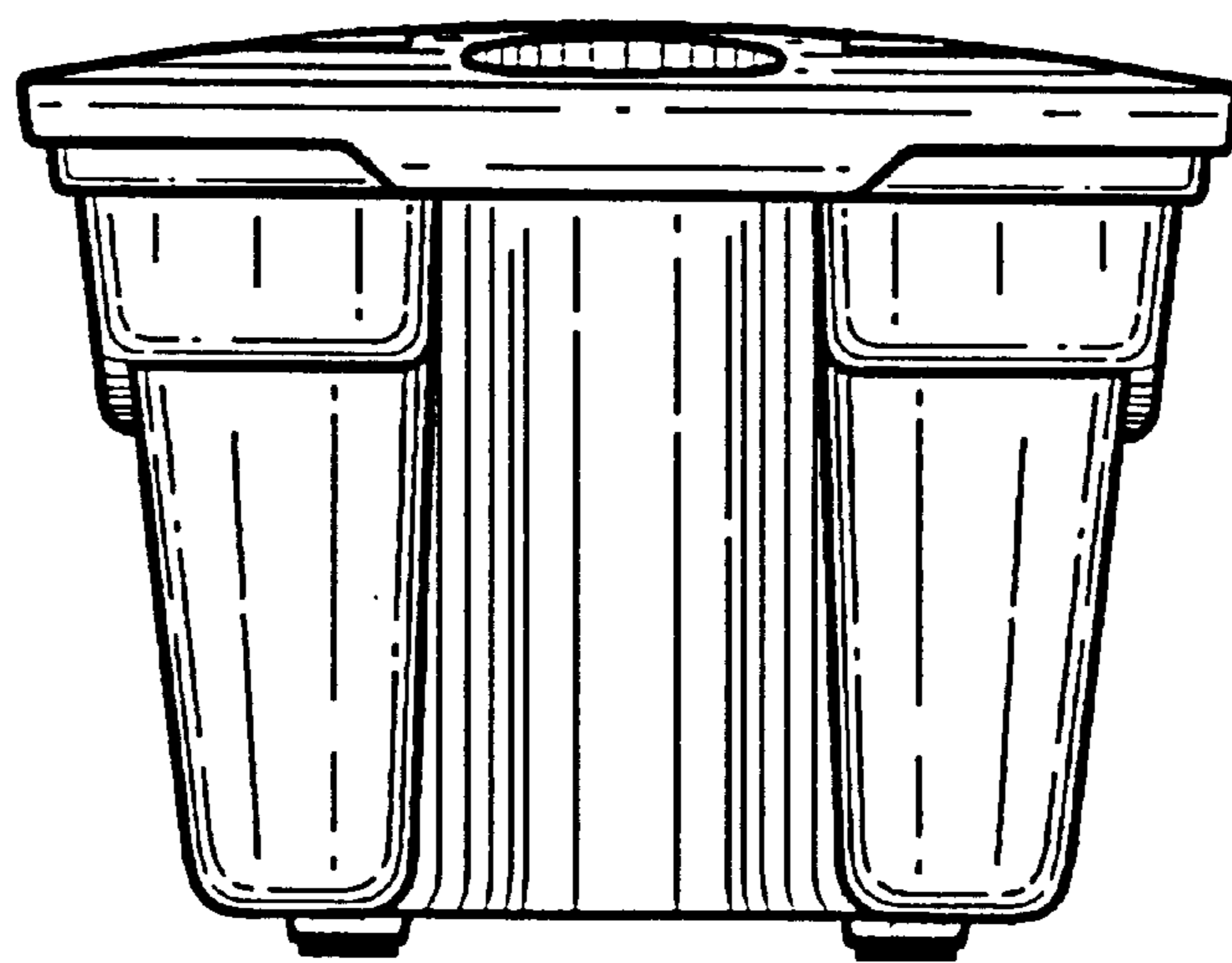


Fig. 9

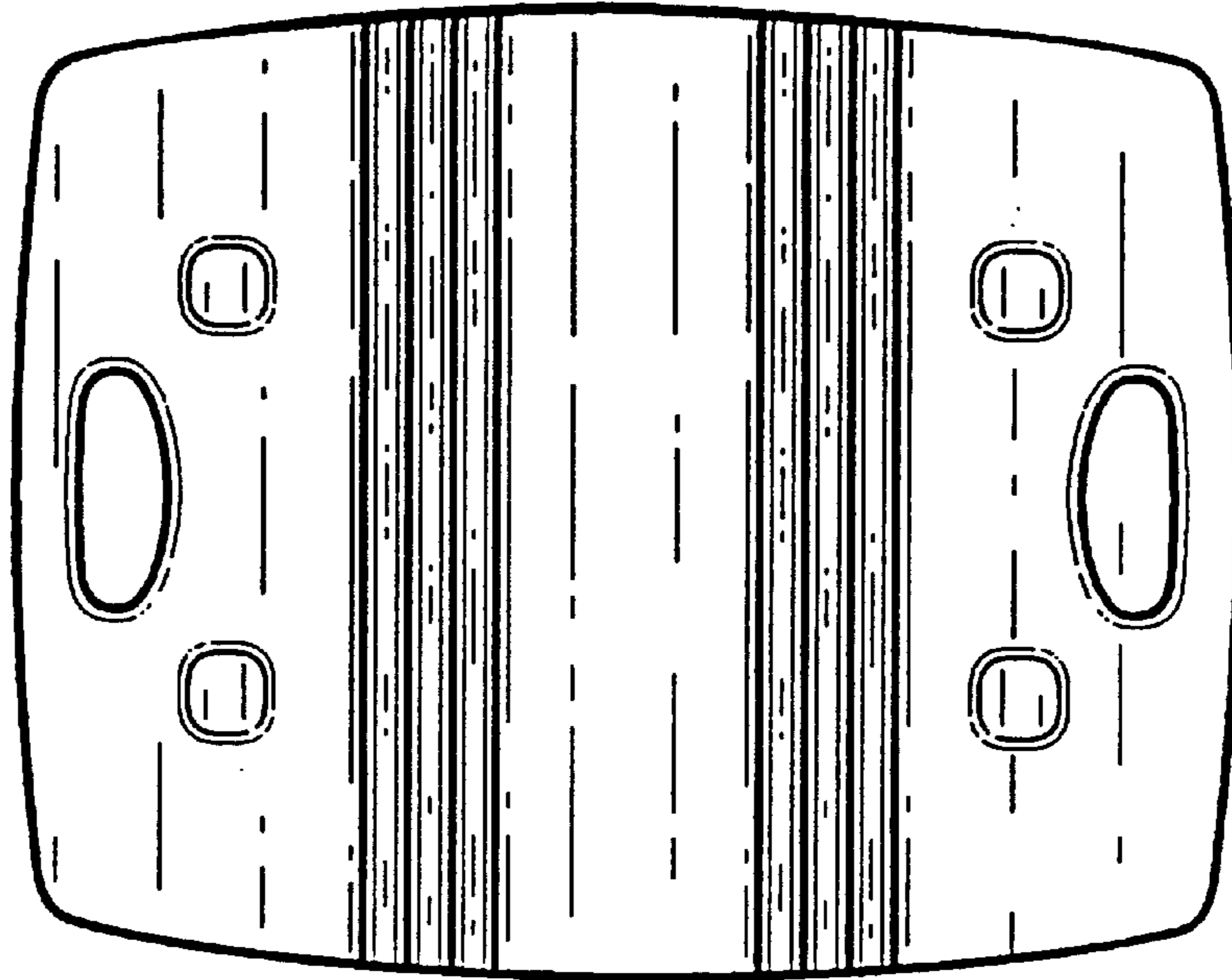


Fig. 10

