



US00D414036S

United States Patent [19]
Conway

[11] **Patent Number: Des. 414,036**

[45] **Date of Patent: ** Sep. 21, 1999**

[54] **CASE FOR CONTACT LENSES AND OTHER ARTICLES**

[75] Inventor: **Gary Roy Conway**, Cobham, United Kingdom

[73] Assignee: **Optoplast plc**, Liverpool, United Kingdom

[**] Term: **14 Years**

[21] Appl. No.: **29/100,035**

[22] Filed: **Feb. 2, 1999**

[30] **Foreign Application Priority Data**

Aug. 24, 1998 [GB] United Kingdom 2077108
Sep. 28, 1998 [GB] United Kingdom 2077995

[51] **LOC (6) Cl.** **03-01**

[52] **U.S. Cl.** **D3/264; D3/263**

[58] **Field of Search** D3/263, 264, 265,
D3/266, 267; D9/341, 415; D16/134, 136;
D28/73, 78; 206/5, 5.1, 6

[56] **References Cited**

U.S. PATENT DOCUMENTS

D. 049,217	6/1916	King	D3/265
D. 175,537	9/1955	Combridge	D3/265
D. 259,596	6/1981	Gray	D3/205
D. 262,585	1/1982	Anema	D3/205
D. 265,098	6/1982	Crow	D3/264
D. 353,712	12/1994	Aalders	D3/265
D. 379,263	5/1997	Sussman	D3/264
D. 397,551	9/1998	Shefler	D3/265
D. 400,009	10/1998	Conway	D3/265
D. 407,556	4/1999	Au	D3/265
5,016,749	5/1991	Kayne et al.	206/5.1
5,129,999	7/1992	Holland et al.	205/701
5,375,699	12/1994	Amend	206/5.1
5,706,935	1/1998	Lorton	206/38
5,711,417	1/1998	Tilve	206/6
5,772,014	6/1998	Jacober	206/5.1

5,833,053 11/1998 Wood et al. 206/5

Primary Examiner—Celia Murphy
Attorney, Agent, or Firm—Cobrin & Gittes

[57] **CLAIM**

The ornamental design for a case for contact lenses and other articles, as shown and described.

DESCRIPTION

FIG. 1 is a front perspective view of a case for contact lenses and other articles showing my new design;
 FIG. 2 is a bottom plan view thereof;
 FIG. 3 is a rear elevational view thereof;
 FIG. 4 is a right side elevational view thereof, the left side being a mirror image;
 FIG. 5 is a front perspective view thereof, shown in a partially open condition;
 FIG. 6 is a front perspective view of FIG. 5, the upper tray shown lowered;
 FIG. 7 is a front perspective view of FIG. 5, the lower tray shown raised;
 FIG. 8 is a front perspective view of FIG. 6, the broken lines showing circular articles being for illustrative purposes only and forming no part of the claimed design;
 FIG. 9 is a front perspective view of an alternate embodiment of the design shown in FIG. 1;
 FIG. 10 is a bottom plan view of FIG. 9;
 FIG. 11 is a rear elevational view of FIG. 9;
 FIG. 12 is a right side elevational view of FIG. 9;
 FIG. 13 is a front perspective view of FIG. 9 shown in a partially open condition;
 FIG. 14 is a front perspective view of FIG. 9 the upper tray shown lowered;
 FIG. 15 is a front perspective view of FIG. 9, the lower tray shown raised; and,
 FIG. 16 is a front perspective view of FIG. 14, the broken lines showing circular articles being for illustrative purposes only and forming no part of the claimed design.

1 Claim, 6 Drawing Sheets

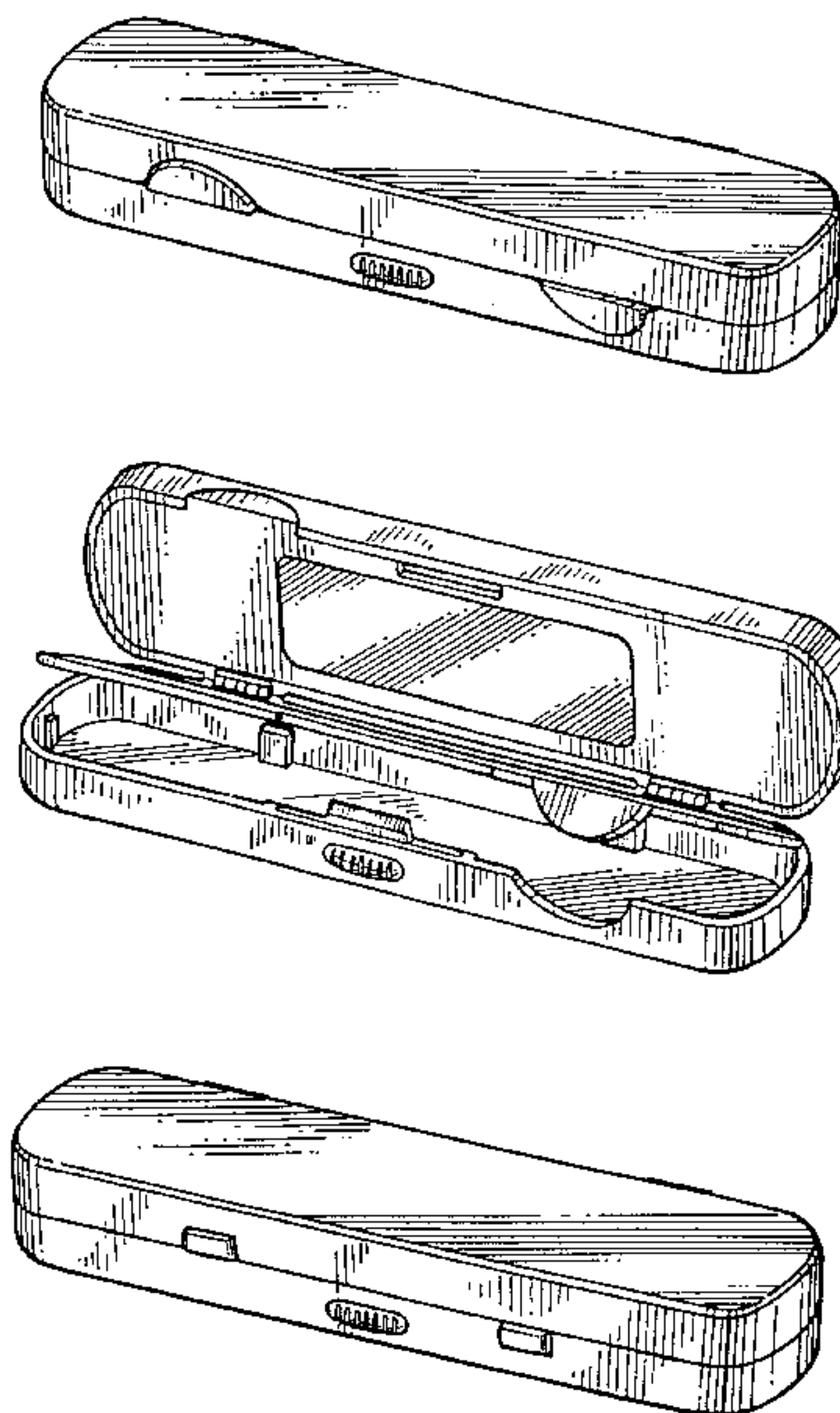


FIG. 1

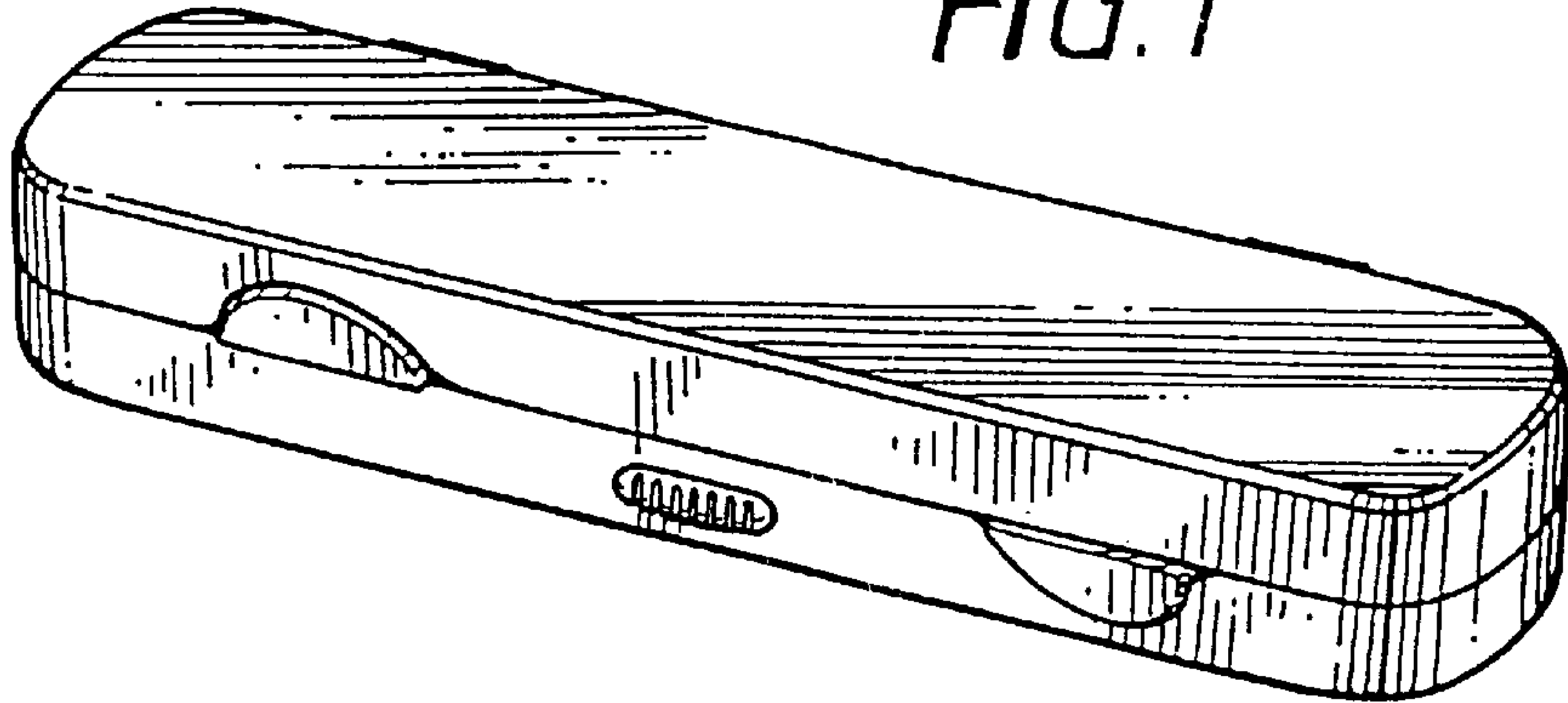


FIG. 2

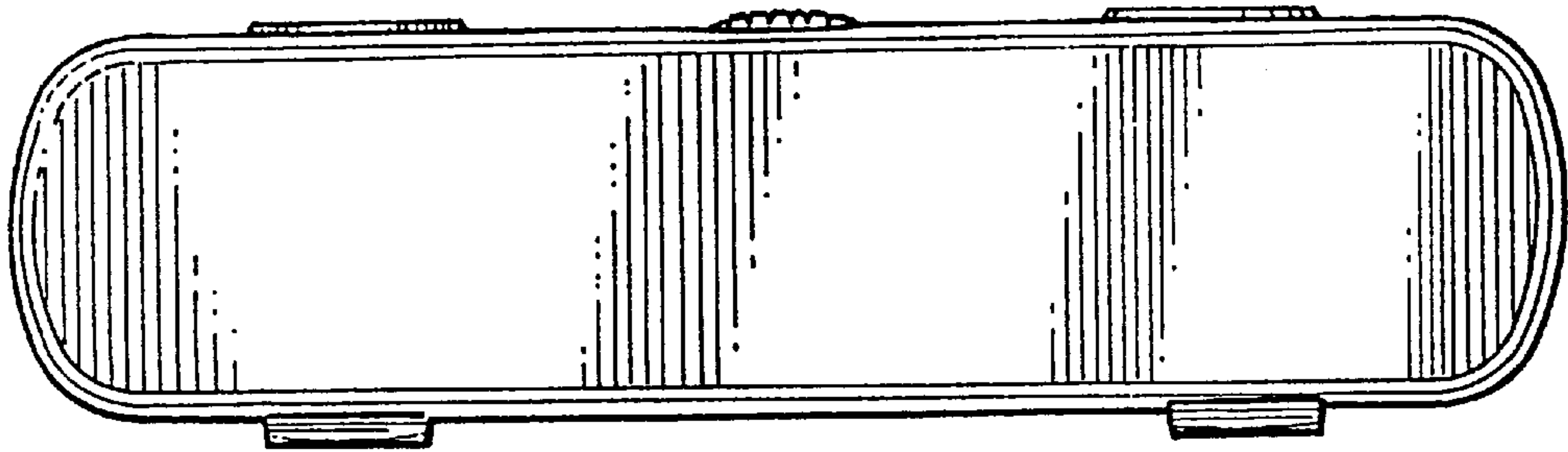


FIG. 3

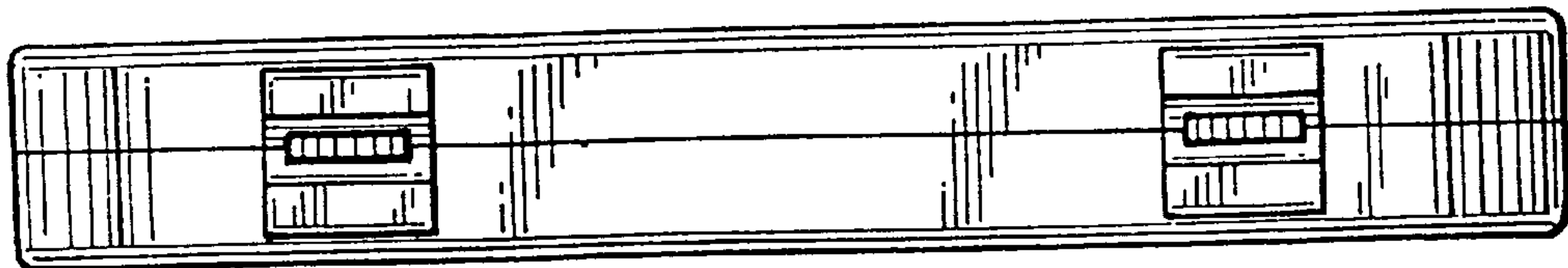


FIG. 4

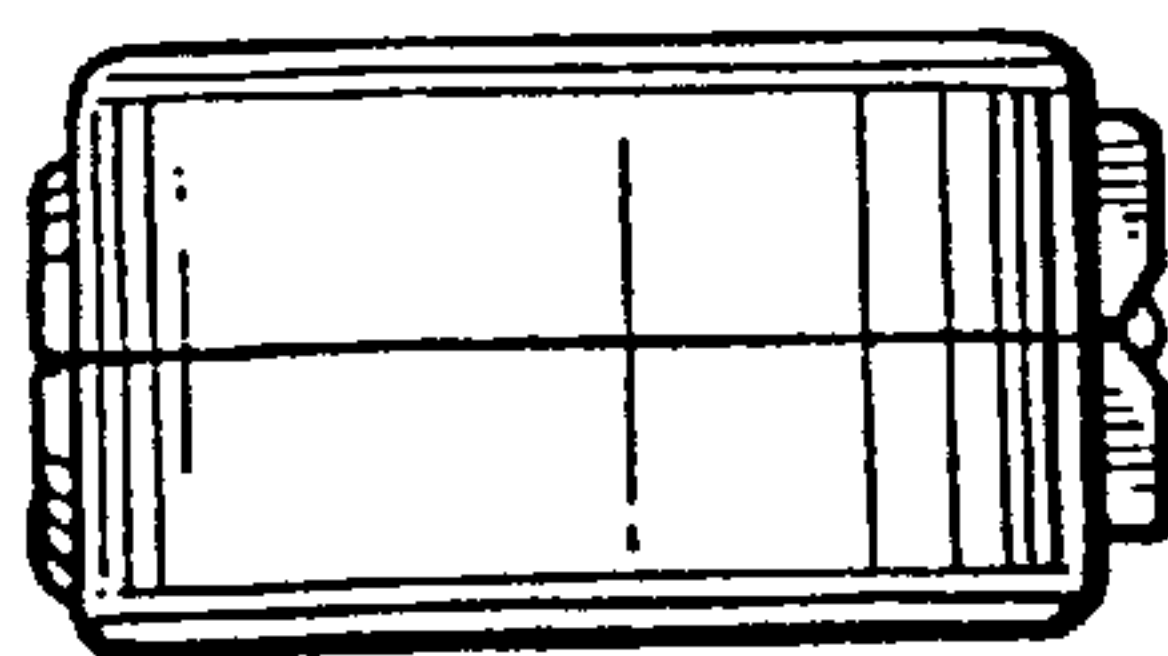


FIG. 5

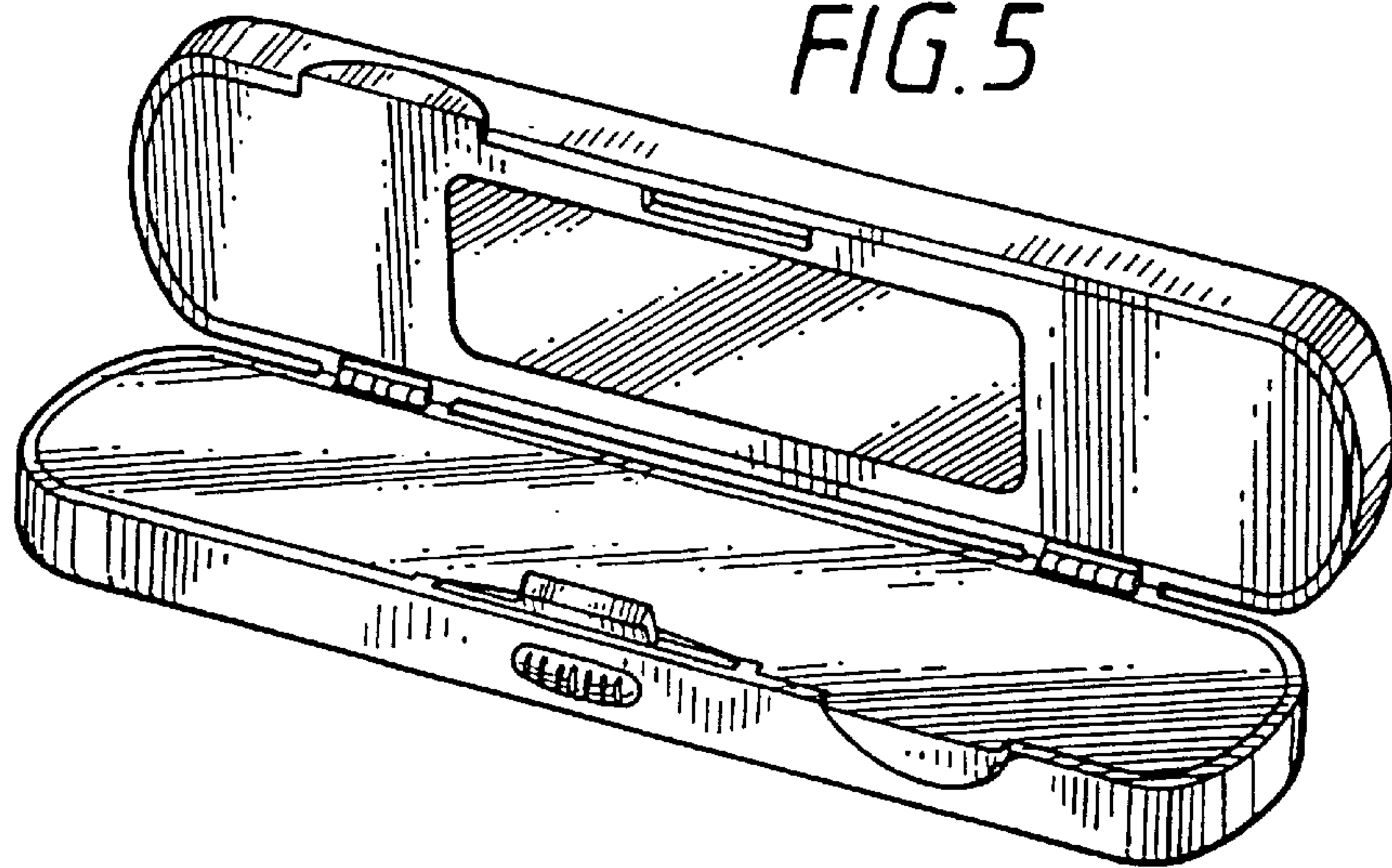


FIG. 6

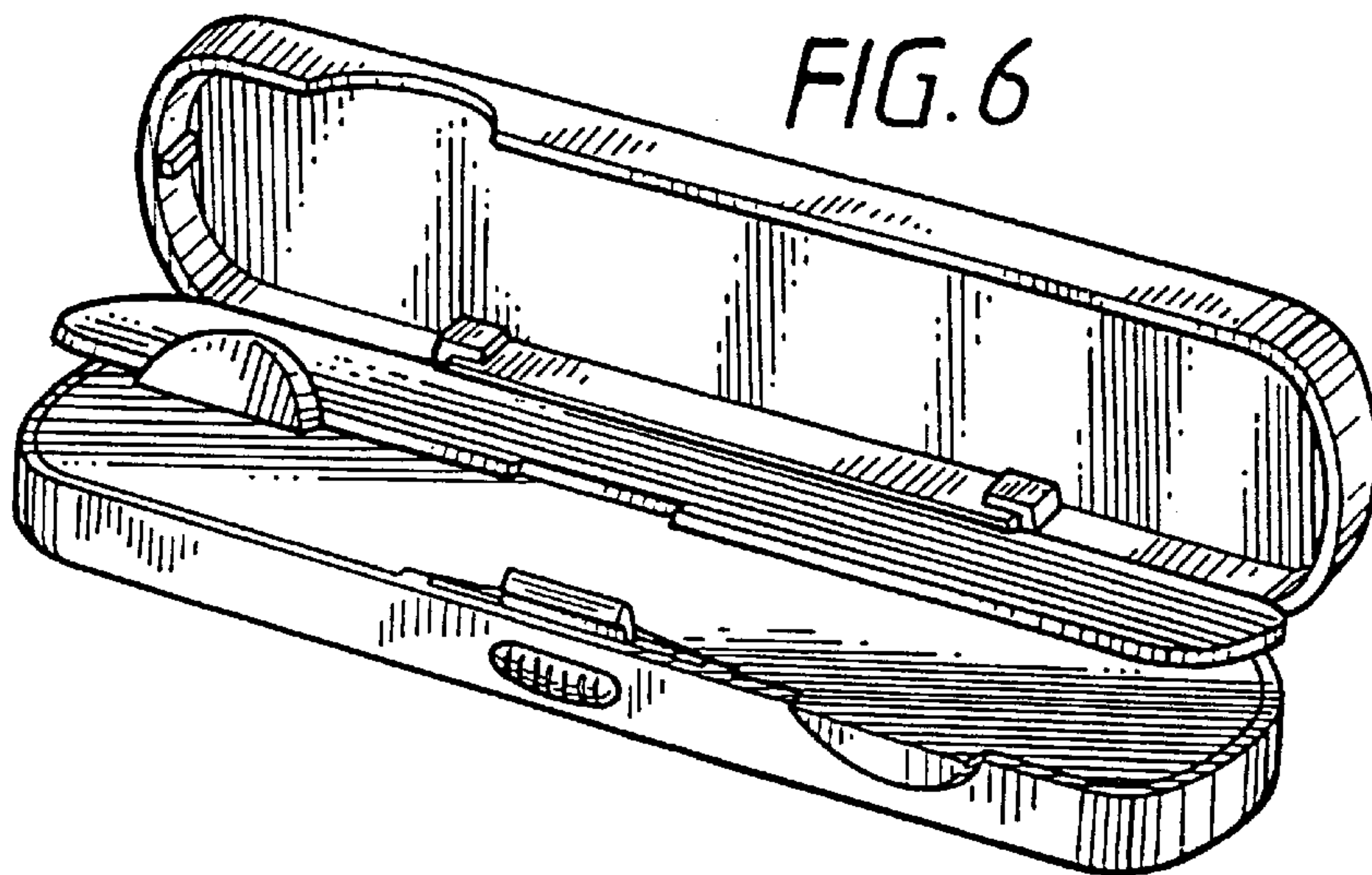


FIG. 7

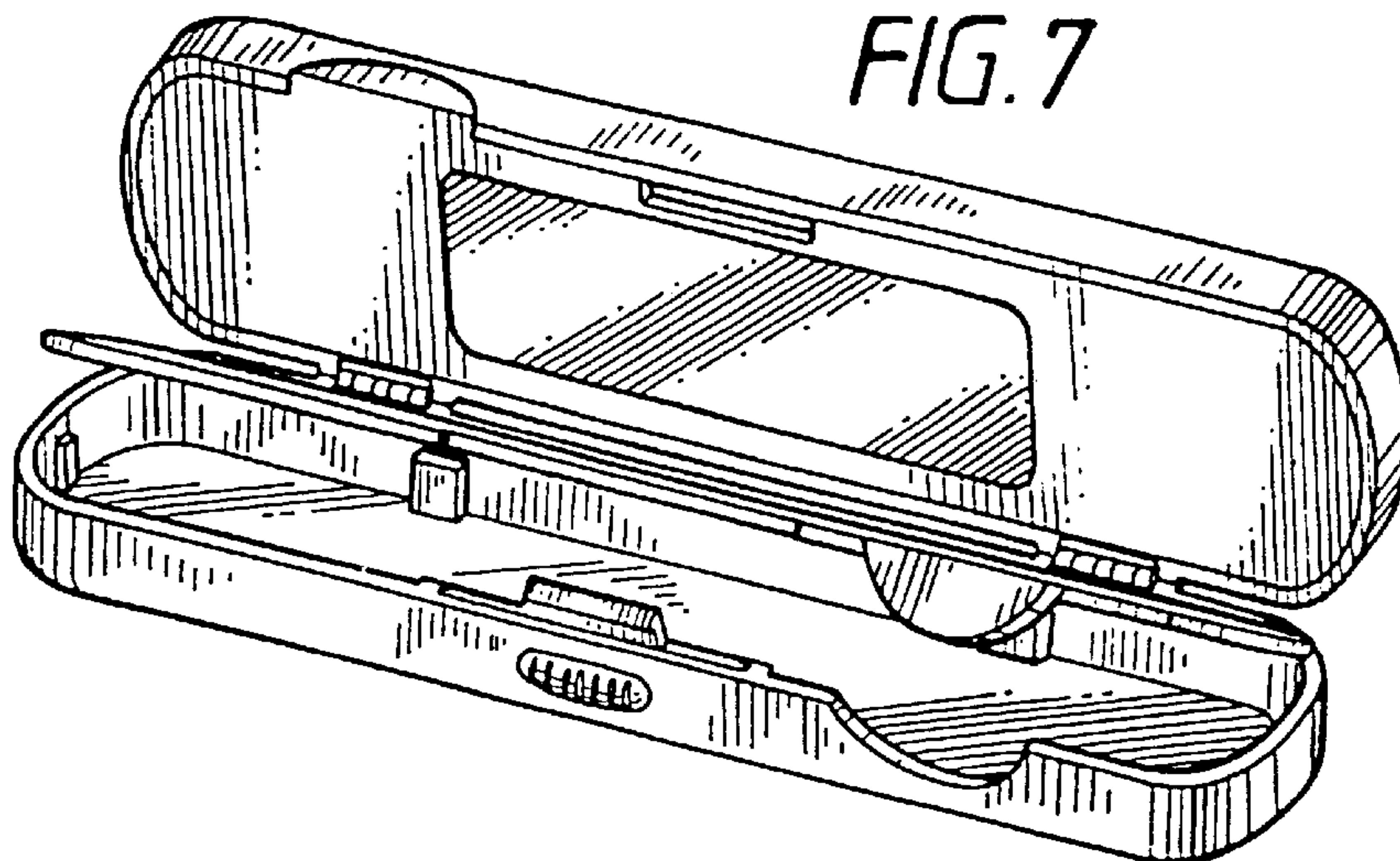


FIG. 8

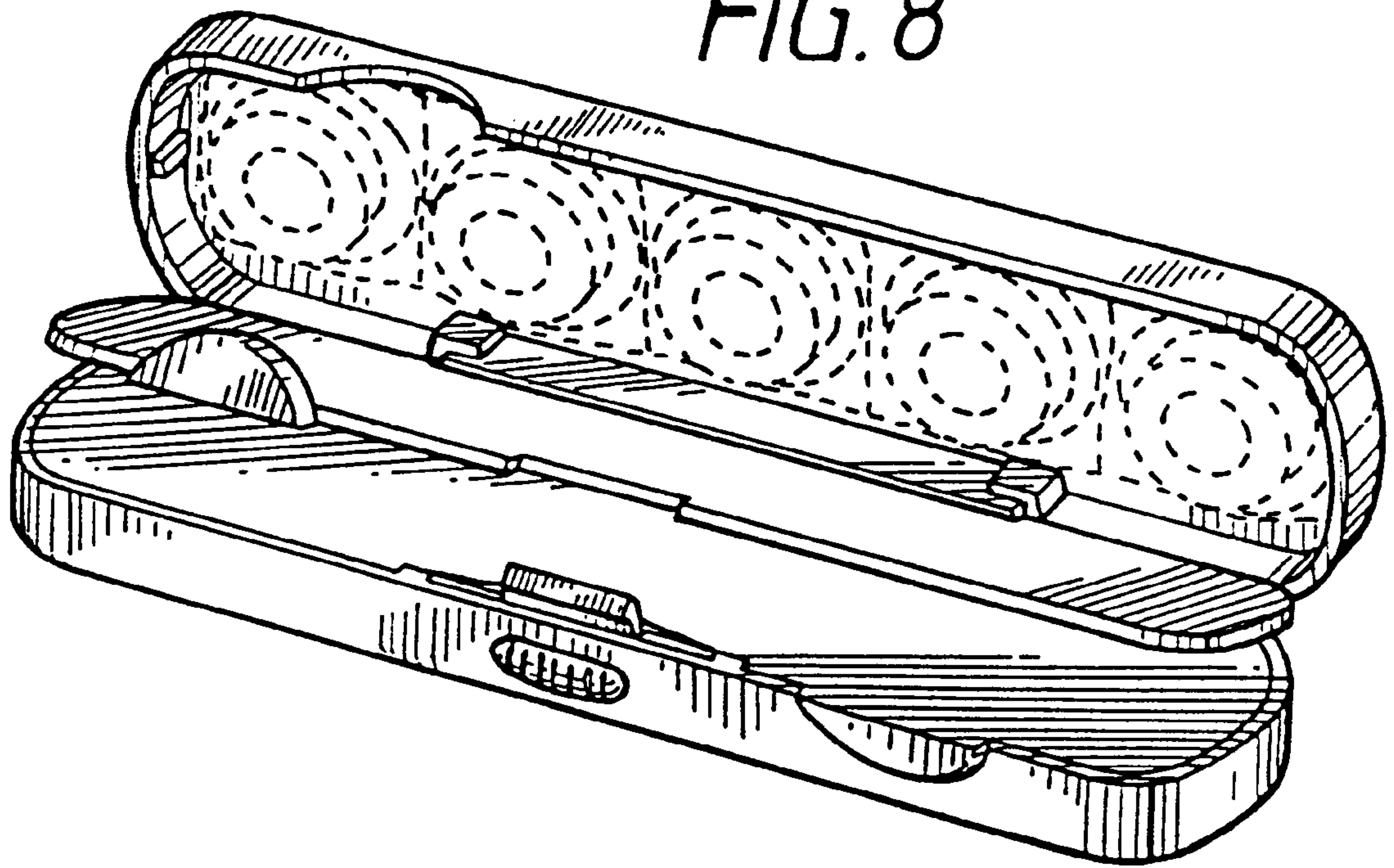


FIG. 9

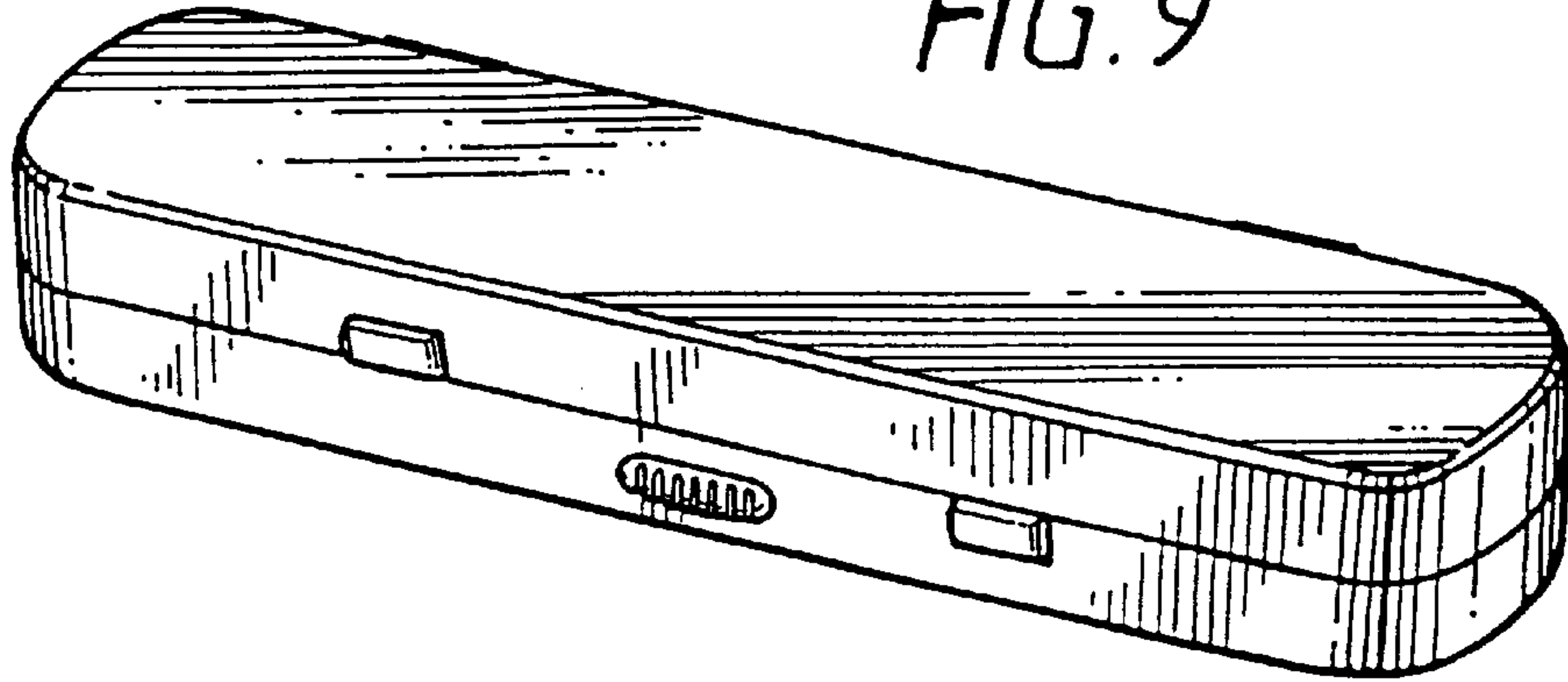


FIG. 10

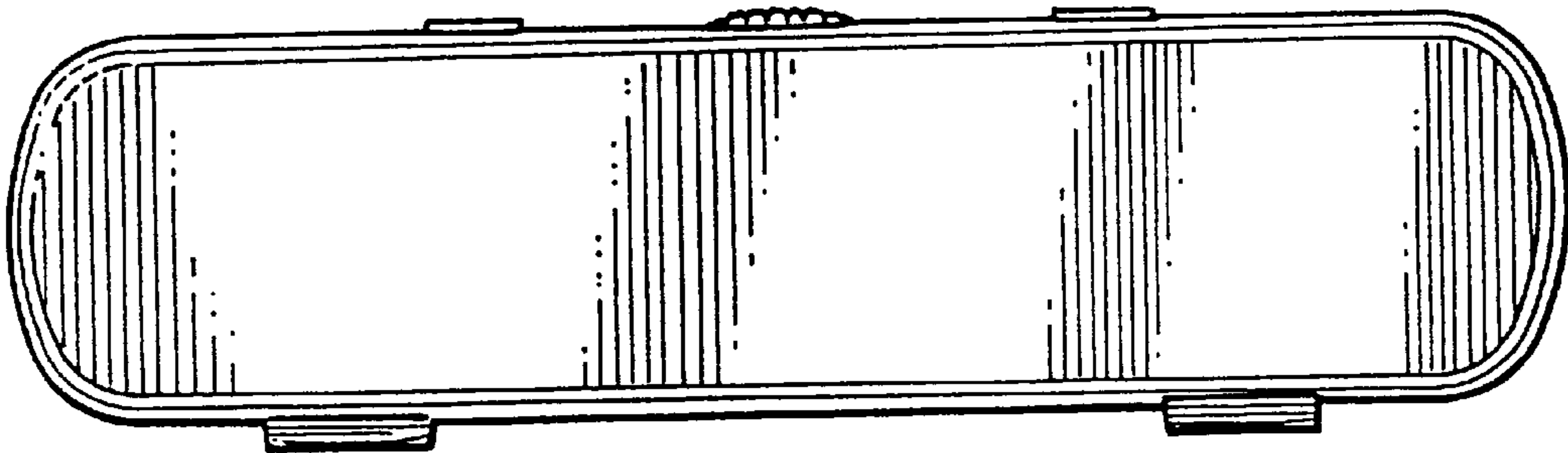


FIG. 11

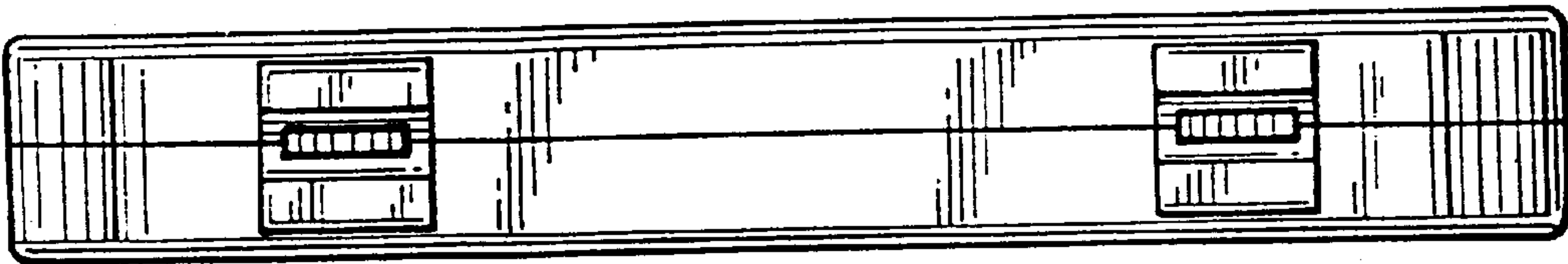


FIG. 12

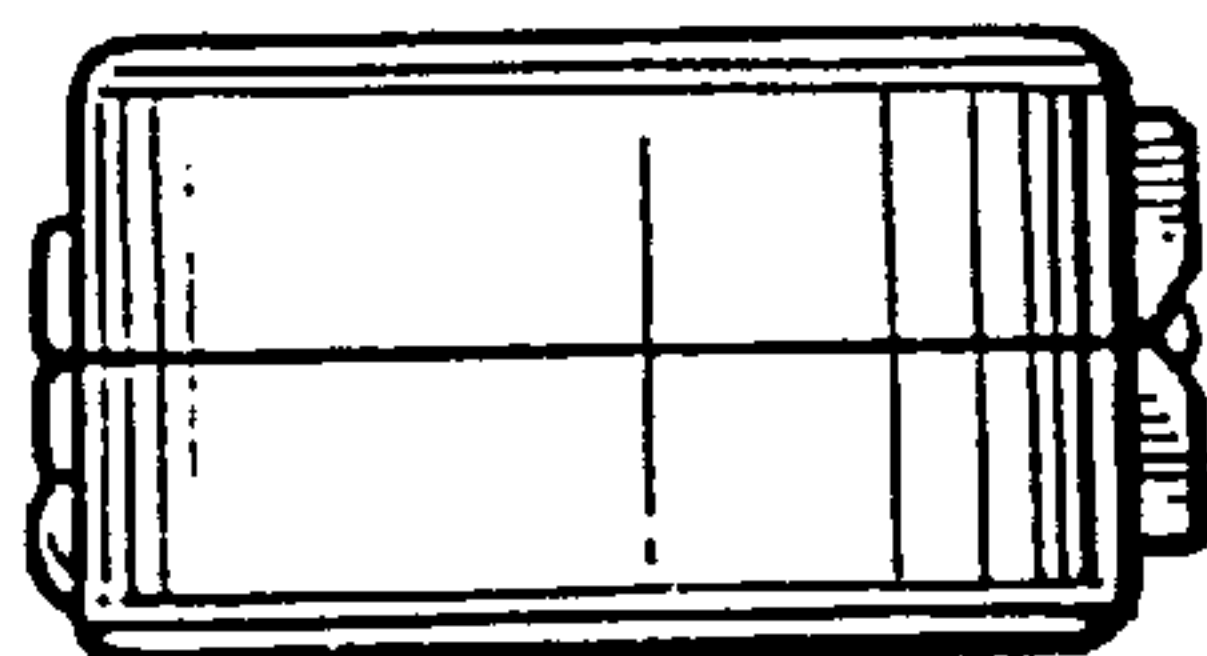


FIG. 13

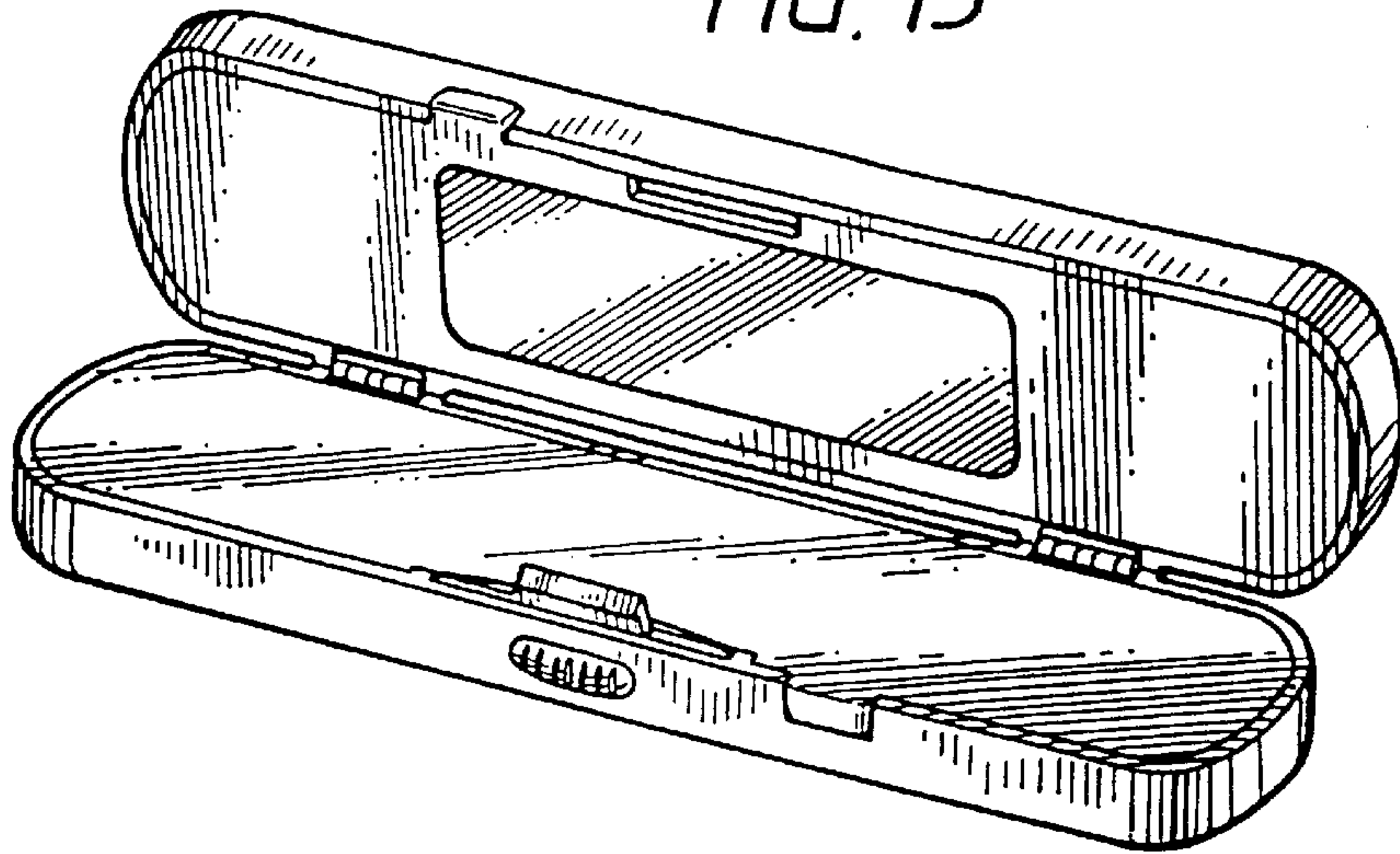


FIG. 14

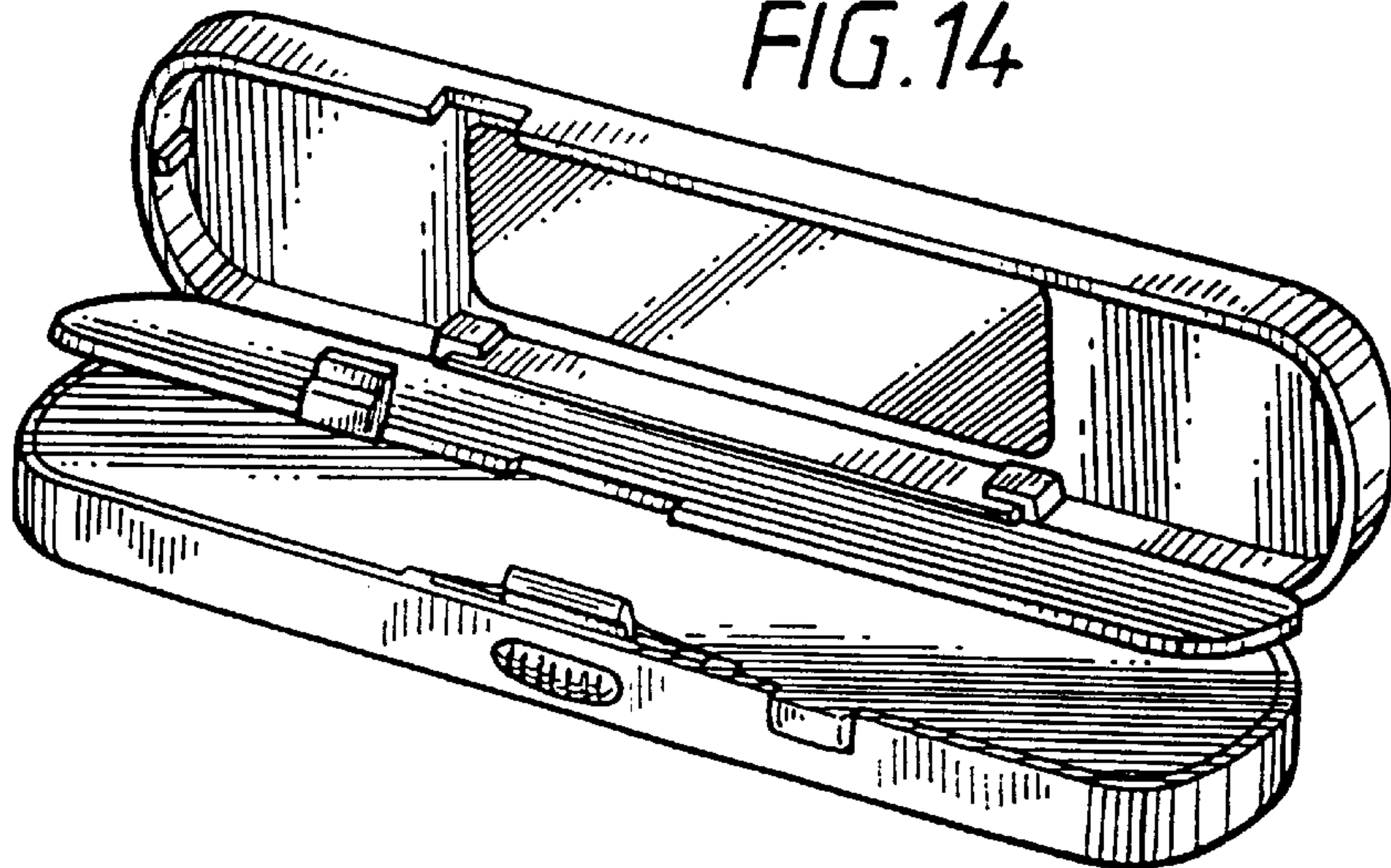


FIG. 15

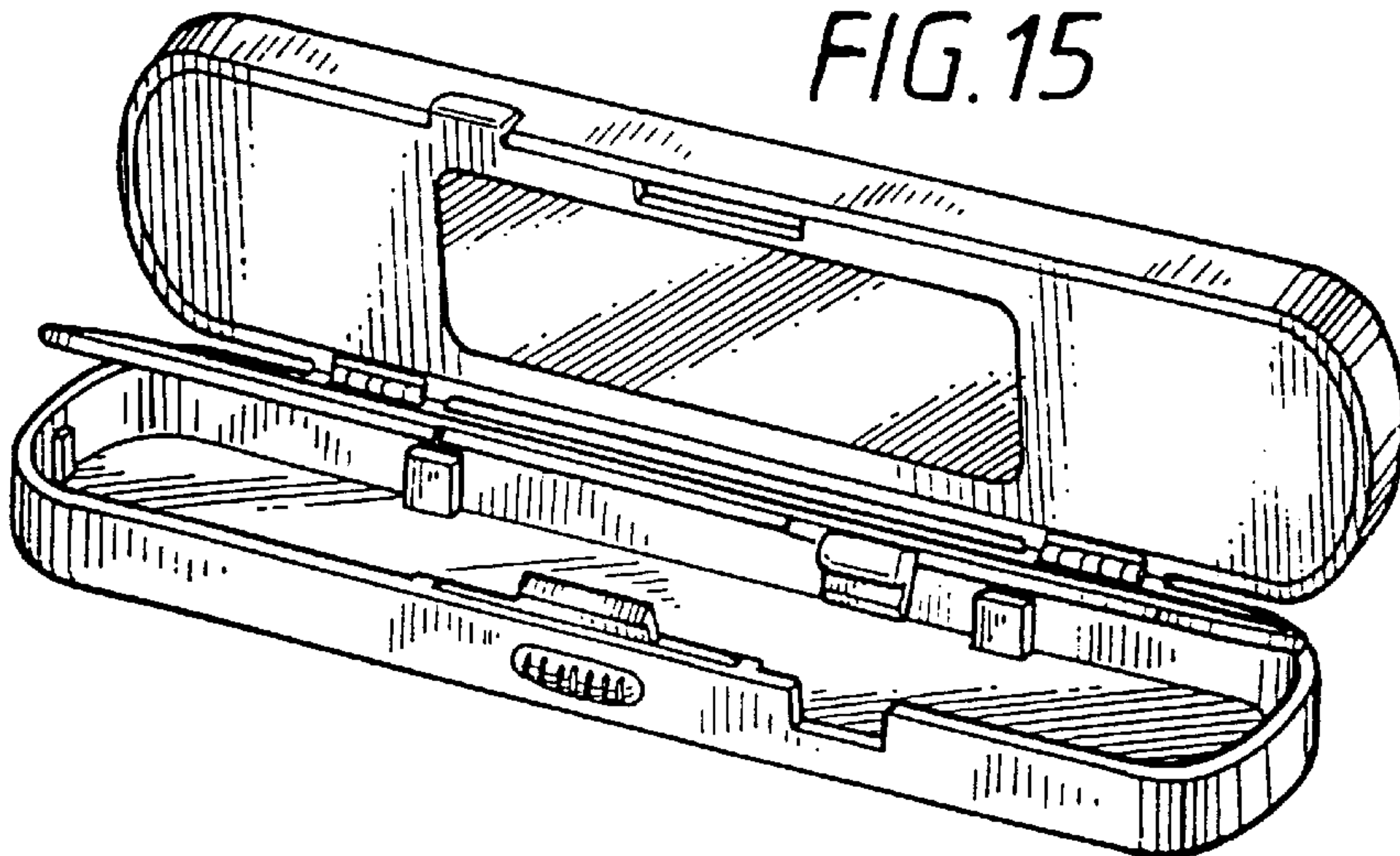


FIG. 16

