



US00D414025S

# United States Patent [19]

[11] Patent Number: Des. 414,025

Adam

[45] Date of Patent: \*\* Sep. 21, 1999

[54] TWO-PIECE CLEAT FOR AN ATHLETIC SHOE

4,723,366	2/1988	Hagger	36/134
4,748,752	6/1988	Tanel	36/126
5,029,405	7/1991	De Haitre	36/134
5,259,129	11/1993	Deacon et al.	36/127
5,623,774	4/1997	Abbey	36/134

[75] Inventor: John M. Adam, Marietta, Ga.

[73] Assignee: Diversified Industrial Technology, Inc., Marietta, Ga.

[\*\*] Term: 14 Years

[21] Appl. No.: 29/073,989

[22] Filed: Jul. 23, 1997

[51] LOC (6) Cl. 02-04

[52] U.S. Cl. D2/962

[58] Field of Search D2/962, 906, 946; 36/67 D, 67 A, 126, 134, 127, 59 R, 2.5

### [56] References Cited

#### U.S. PATENT DOCUMENTS

D. 201,952	8/1965	Johns	.
D. 389,297	1/1998	Adam	..... D2/962
D. 389,997	2/1998	Adam	..... D2/962
1,012,057	12/1911	Brady	.
1,230,118	6/1917	Clifford	.
1,232,896	7/1917	Clifford	.
1,304,616	5/1919	Smith	.
1,370,065	3/1921	Stephens	..... 36/67 A
1,550,772	8/1925	Allan	.
1,827,514	10/1931	Golden	.
1,876,195	9/1932	Youmans	.
2,235,774	3/1941	Pierce et al.	..... 36/59
2,261,785	11/1941	Youmans	..... 36/59
2,292,239	8/1942	Pierce et al.	..... 36/59
2,677,905	5/1954	Dye	..... 36/59
2,803,070	8/1957	Passidomo et al.	..... 36/59
3,271,885	9/1966	McAuliffe	..... 36/2.5
3,302,227	2/1967	Bente	..... 12/142
3,512,275	5/1970	Leavitt	..... 36/59
3,656,245	4/1972	Wilson	..... 36/670 D
3,707,047	12/1972	Nedwick	..... 36/2.5 R
4,014,114	3/1977	Jordan et al.	..... 36/67 D
4,205,466	6/1980	Collins	..... 36/67 D
4,299,038	11/1981	Epple	..... 36/67 D
4,306,360	12/1981	Hagger	..... 36/59 R
4,577,422	3/1986	Tanel	..... 36/126
4,653,206	3/1987	Tanel	..... 36/126
4,689,901	9/1987	Ihlenburg	..... 36/126

#### FOREIGN PATENT DOCUMENTS

792190	9/1934	France	.
73890	10/1917	Germany	.
467815	12/1951	Italy	.
15362	of 1899	United Kingdom	.
209851	1/1924	United Kingdom	.
2079138	1/1982	United Kingdom	.
2265539	10/1993	United Kingdom	.

#### OTHER PUBLICATIONS

“Here’s the Soft Golf Spike That’s Hard To Beat”—Champ Tred-Lite—Believed to be known to others prior to Aug. 1, 1996.

Primary Examiner—Louis S. Zarfaz  
Assistant Examiner—Gregory Andoll  
Attorney, Agent, or Firm—Womble Carlyle Sandridge & Rice

### [57] CLAIM

The ornamental design for “two-piece cleat for an athletic shoe,” as shown and described.

#### DESCRIPTION

FIG. 1 is a top and side perspective view of a first embodiment for a two piece cleat for an athletic shoe showing my new design;  
FIG. 2 is a bottom and side perspective view thereof;  
FIG. 3 is a top plan view thereof;  
FIG. 4 is a bottom plan view thereof;  
FIG. 5 is a side view thereof, the other side being a mirror image thereof, save for the disposition of treads;  
FIG. 6 is a bottom and side exploded perspective view thereof; and,  
FIG. 7 is a bottom and side perspective view of a second embodiment for a two piece cleat for an athletic shoe. The top and sides of the second embodiment are identical to FIGS. 3 and 5 respectively.

1 Claim, 2 Drawing Sheets

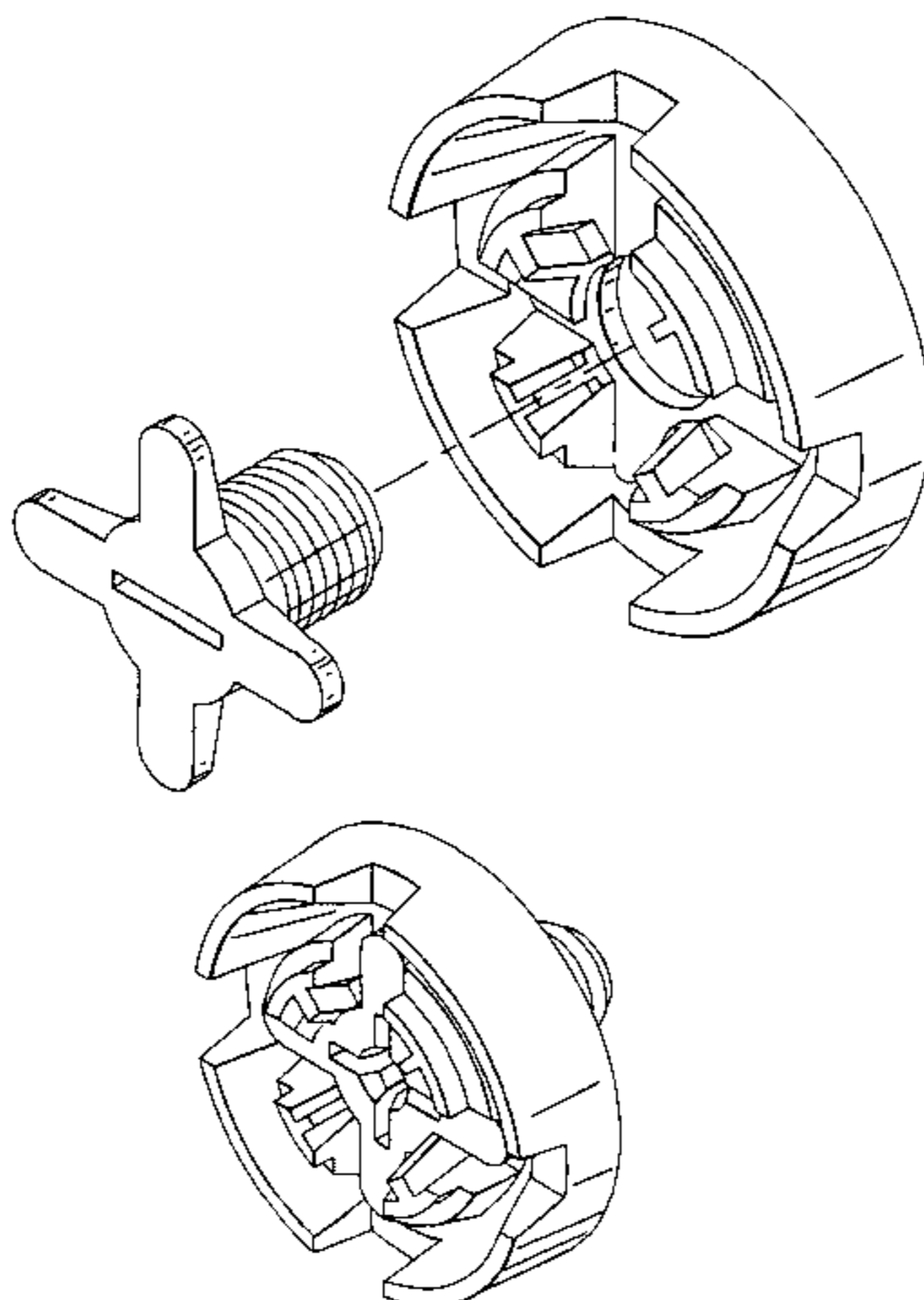


Fig. 1

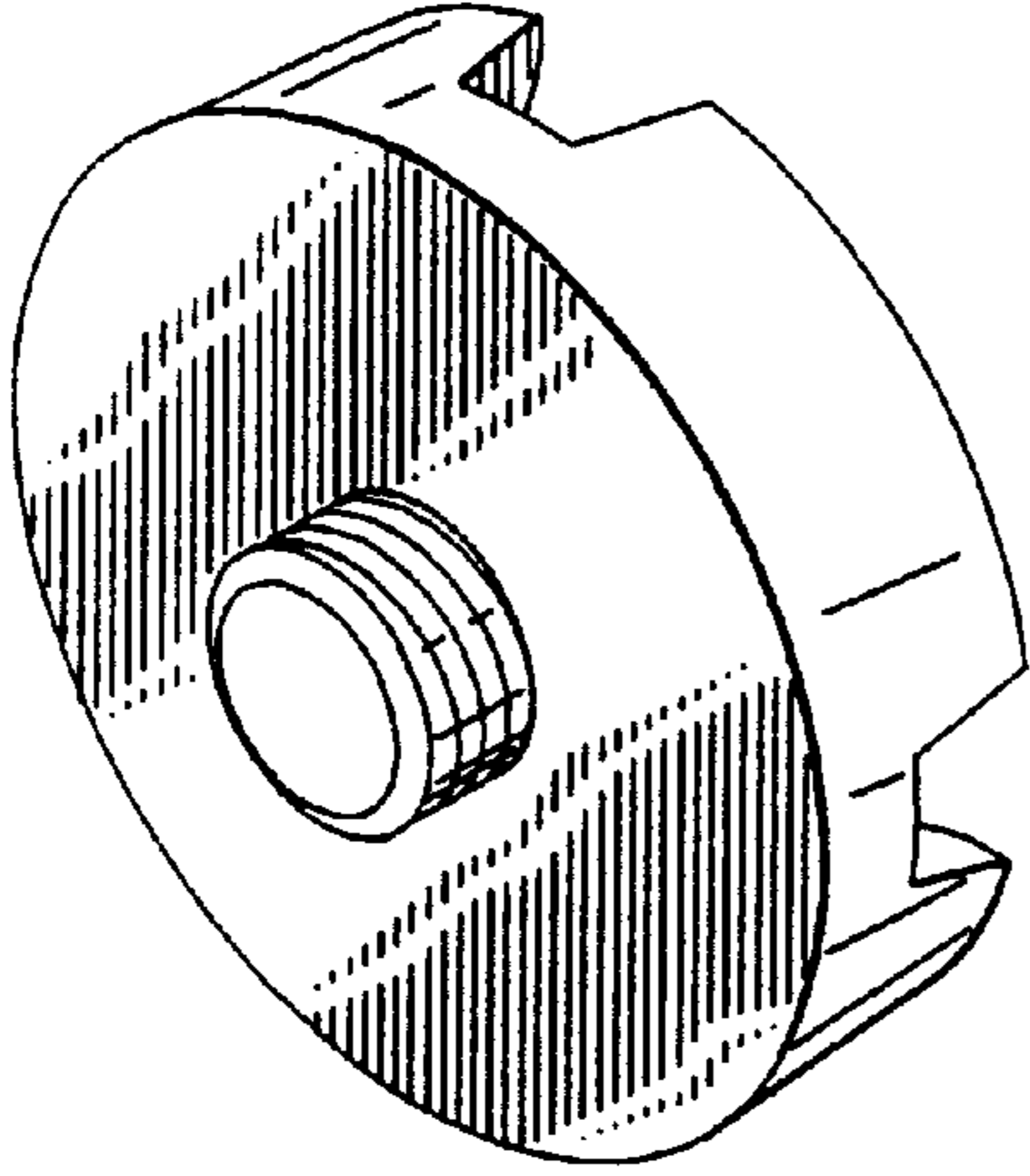


Fig. 2

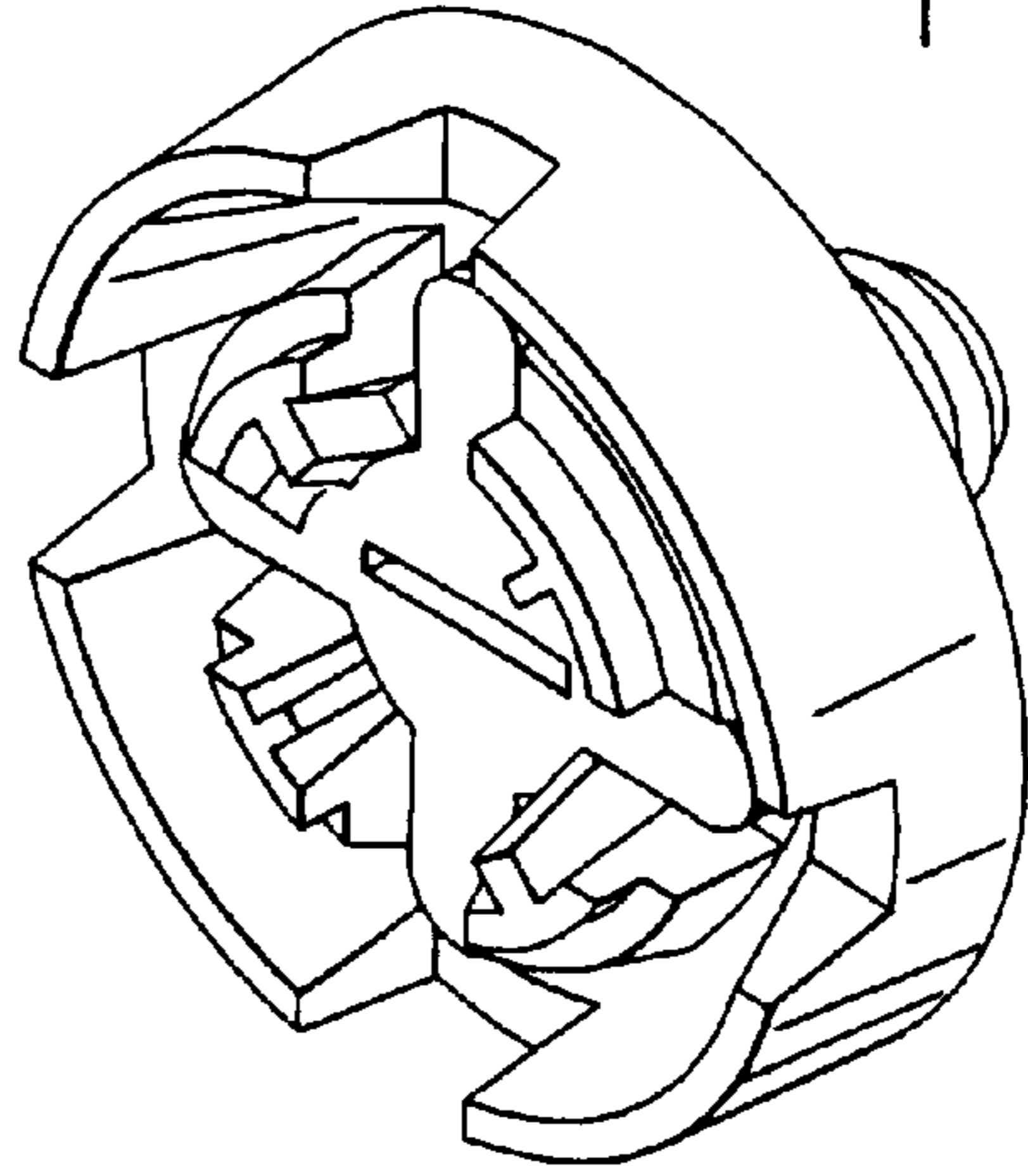


Fig. 3

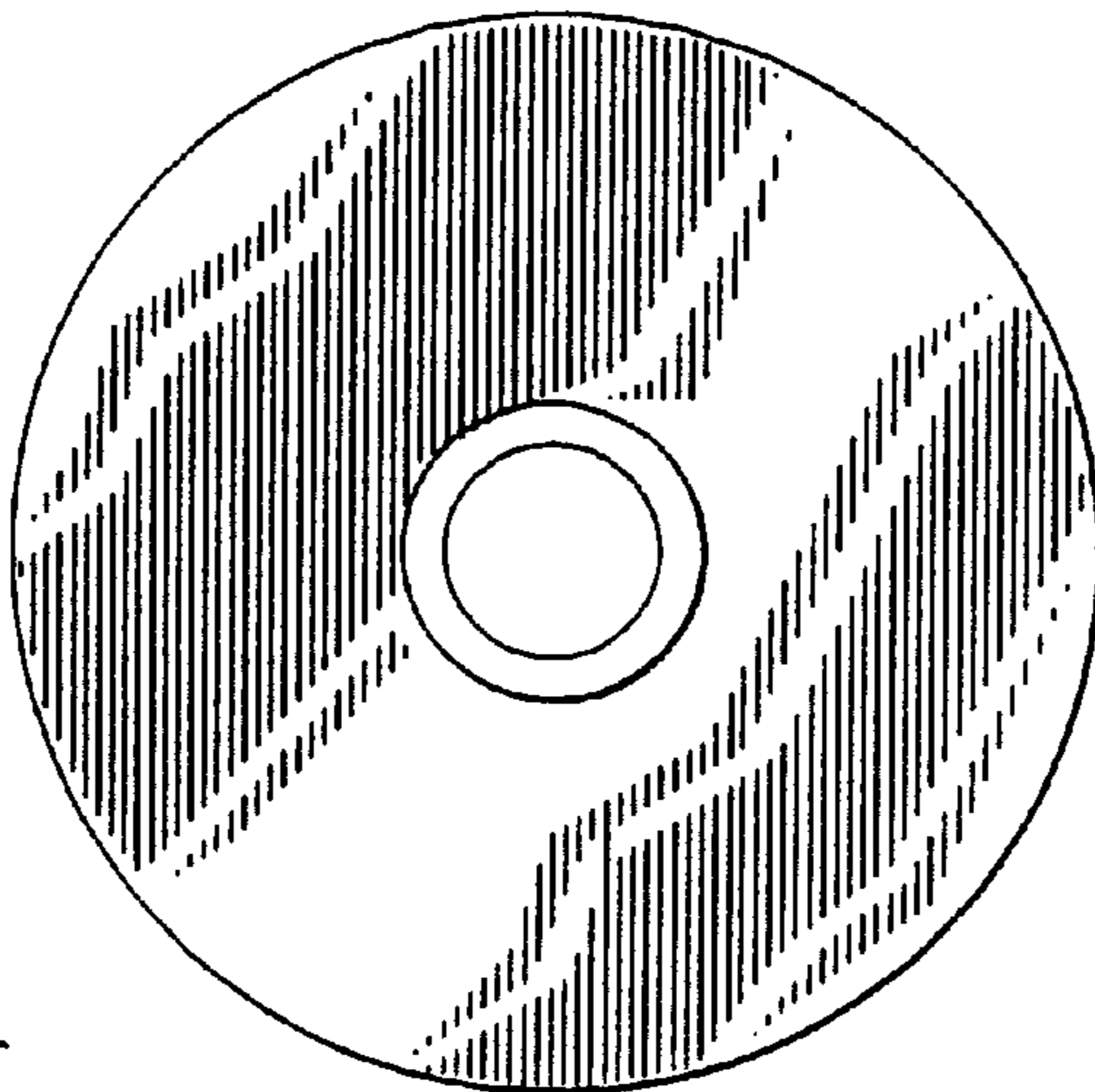


Fig. 4

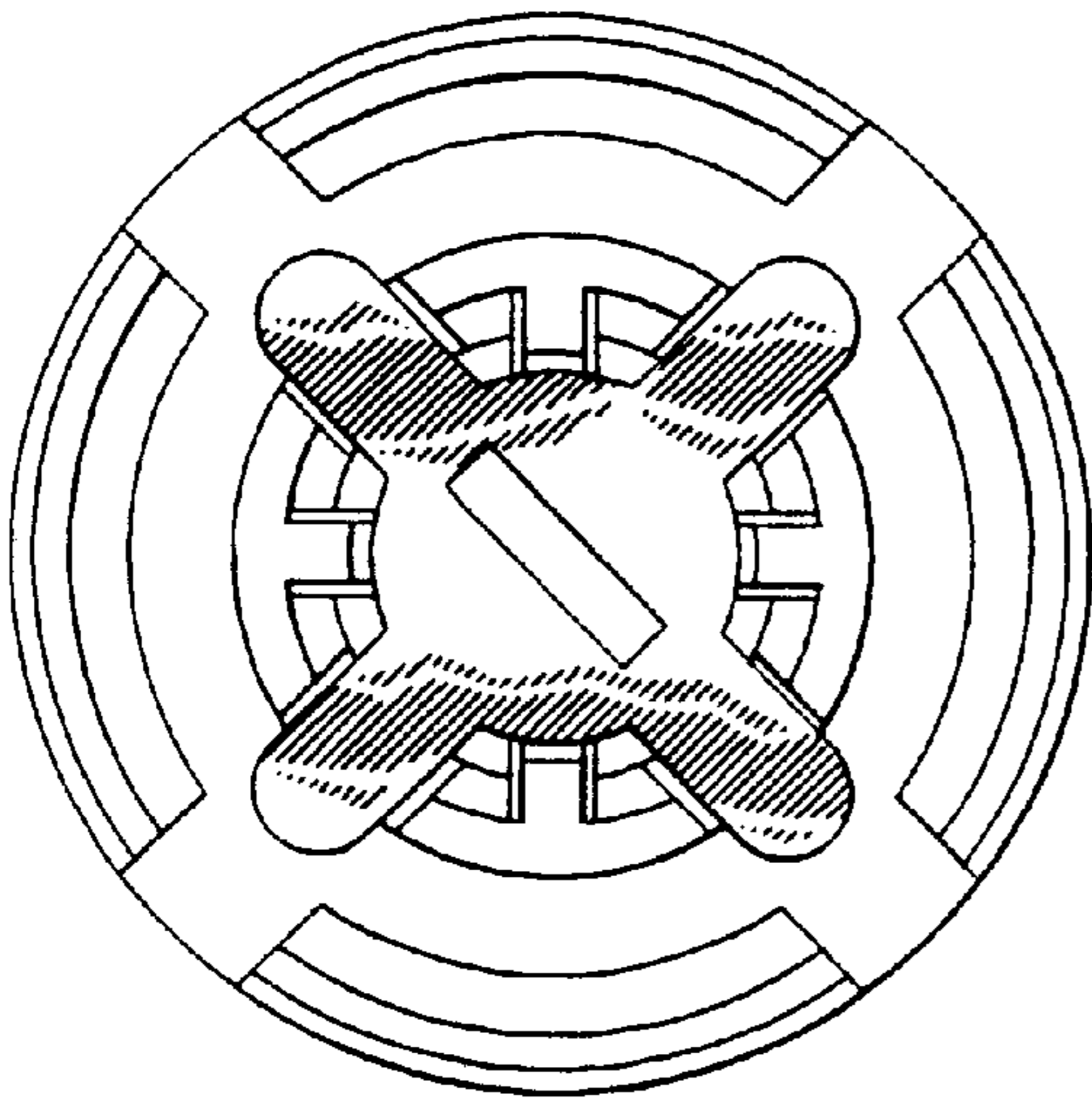


Fig. 5

