



US00D414014S

United States Patent [19] Blankenship, Jr.

[11] Patent Number: Des. 414,014

[45] Date of Patent: ** Sep. 21, 1999

[54] POLICE UTILITY VEST

5,072,456 12/1991 Elin 2/102 X
5,265,782 11/1993 McNamara 2/94 X

[76] Inventor: **William Franklin Blankenship, Jr.**,
2165 E. Colton Ave., Mentone, Calif.
92359

Primary Examiner—Sandra L. Morris
Assistant Examiner—Monica A. Weingart
Attorney, Agent, or Firm—Curtis L. Harrington

[**] Term: 14 Years

[57] CLAIM

[21] Appl. No.: 29/082,988

The ornamental design for a police utility vest, as shown and described.

[22] Filed: Feb. 3, 1998

DESCRIPTION

Related U.S. Application Data

[63] Continuation-in-part of application No. 29/068,944, Feb. 28, 1997, Pat. No. Des. 402,788.

[51] LOC (6) Cl. 02-02

[52] U.S. Cl. D2/830; D2/830

[58] Field of Search D2/828, 829

FIG. 1 is a perspective view of a first embodiment of the police utility vest and illustrating the mesh body design, reinforced collar and pockets and pouches;
FIG. 2 is a front view of the vest of FIG. 1;
FIG. 3 is a rear view of the vest of FIG. 1 and illustrating an attached carry pouch having a single panel;
FIG. 4 is a right side view of the vest of FIG. 1;
FIG. 5 is a left side view of the vest of FIG. 1;
FIG. 6 is a top view of the vest of FIG. 1;
FIG. 7 is a bottom view of the vest of FIG. 1 and illustrating inside portions thereof; and,
FIG. 8 is an alternate rear open view of the vest of FIG. 3 showing partial detachable release of the carrying pouch thereof.

[56] References Cited

U.S. PATENT DOCUMENTS

D. 147,127	7/1947	Hutchinson	D2/829
D. 311,085	10/1990	Moen	D2/829
D. 332,172	1/1993	Lewis	D2/829
D. 352,165	11/1994	Covertson	2/102 X
4,669,127	6/1987	Swanson	2/102 X
5,014,359	5/1991	Hanson	2/94

1 Claim, 5 Drawing Sheets

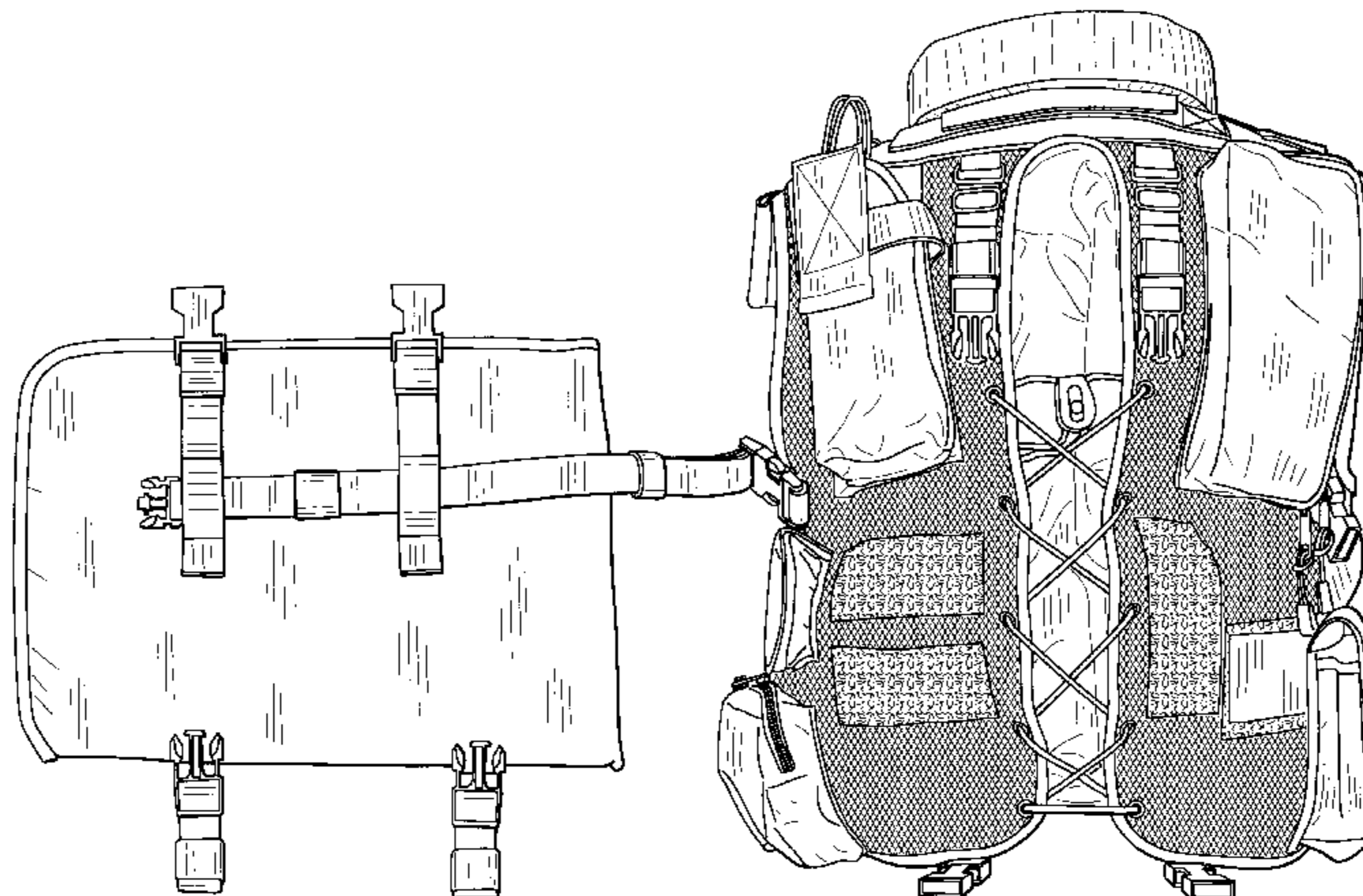
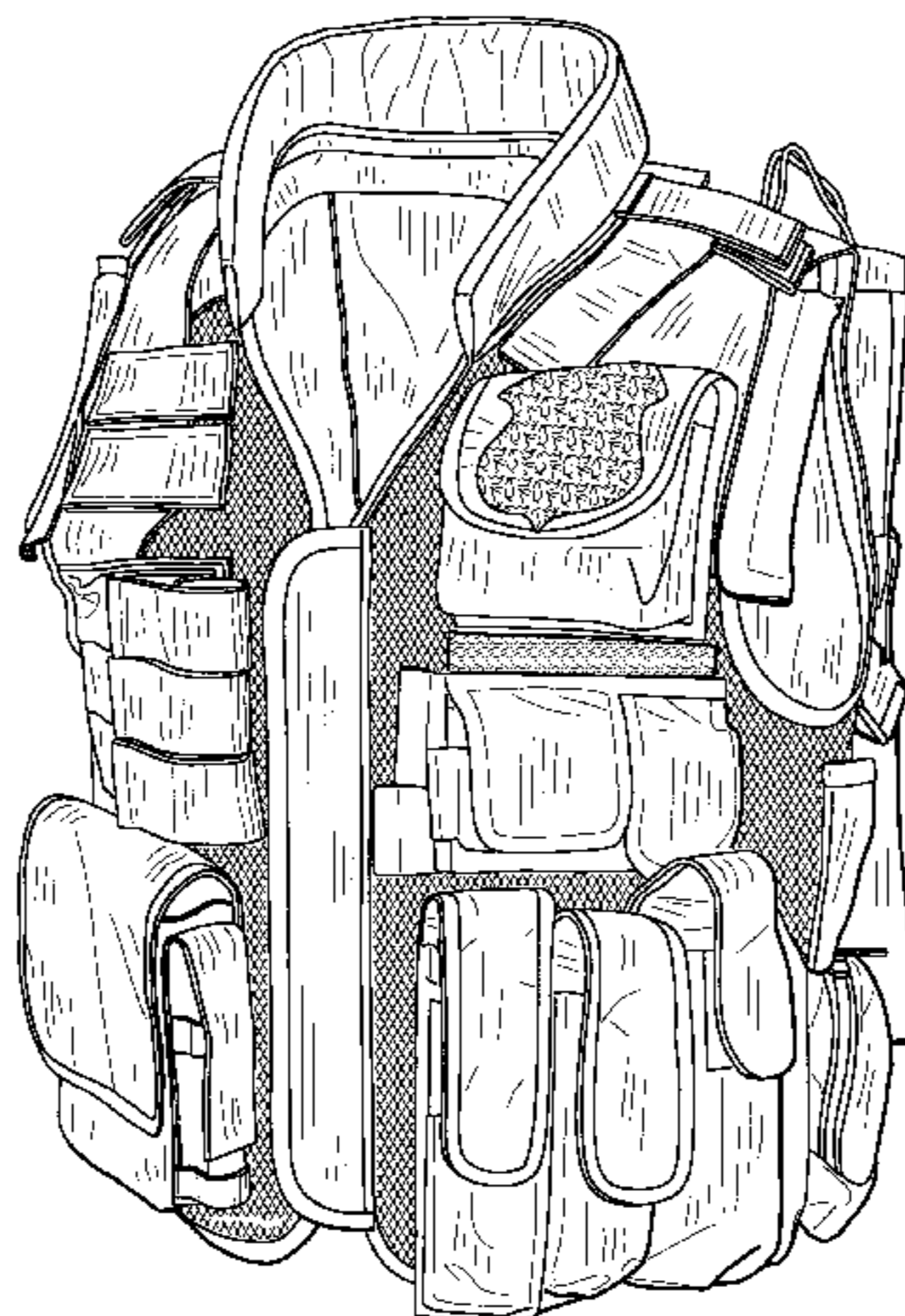




FIG. 1

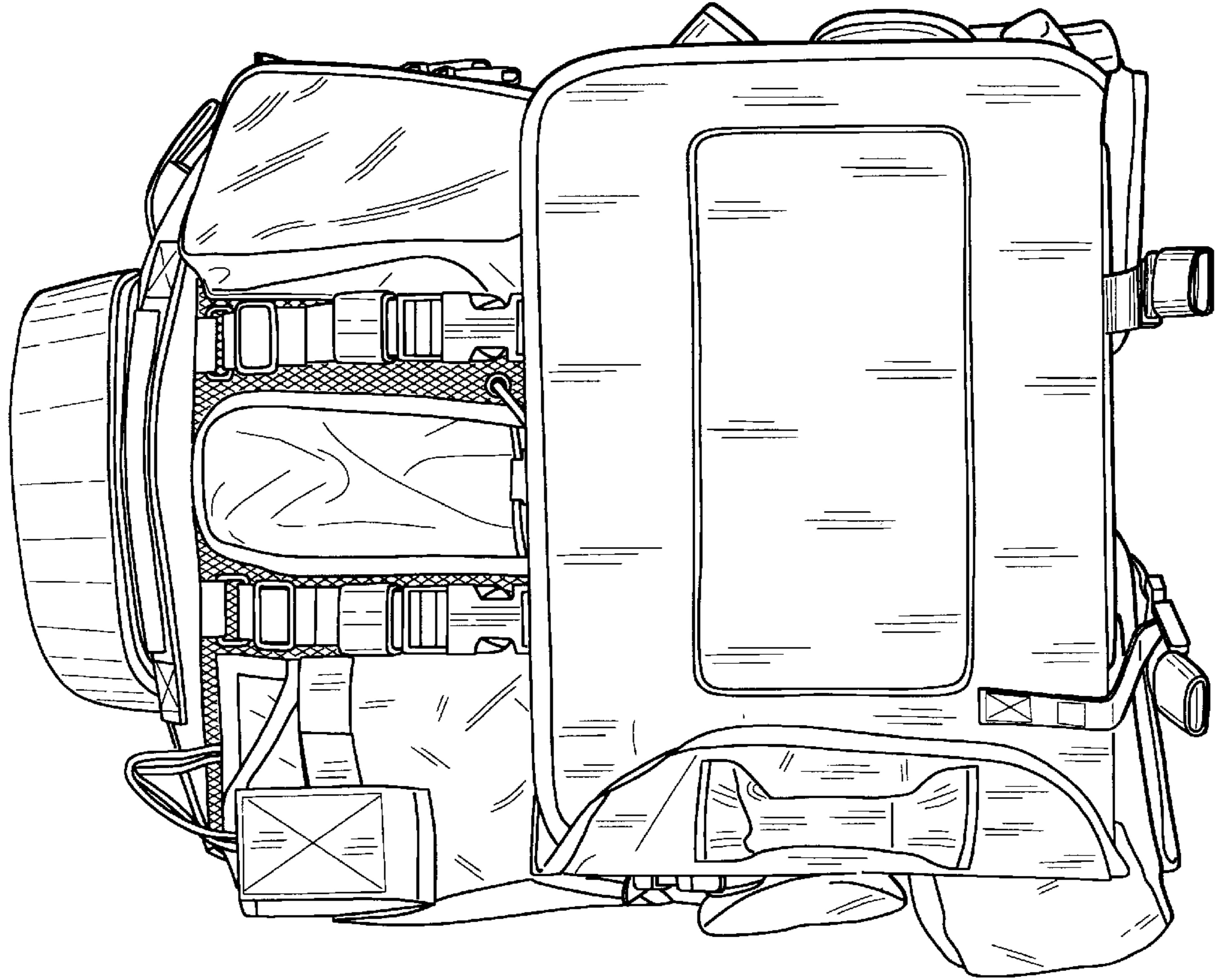


FIG. 3

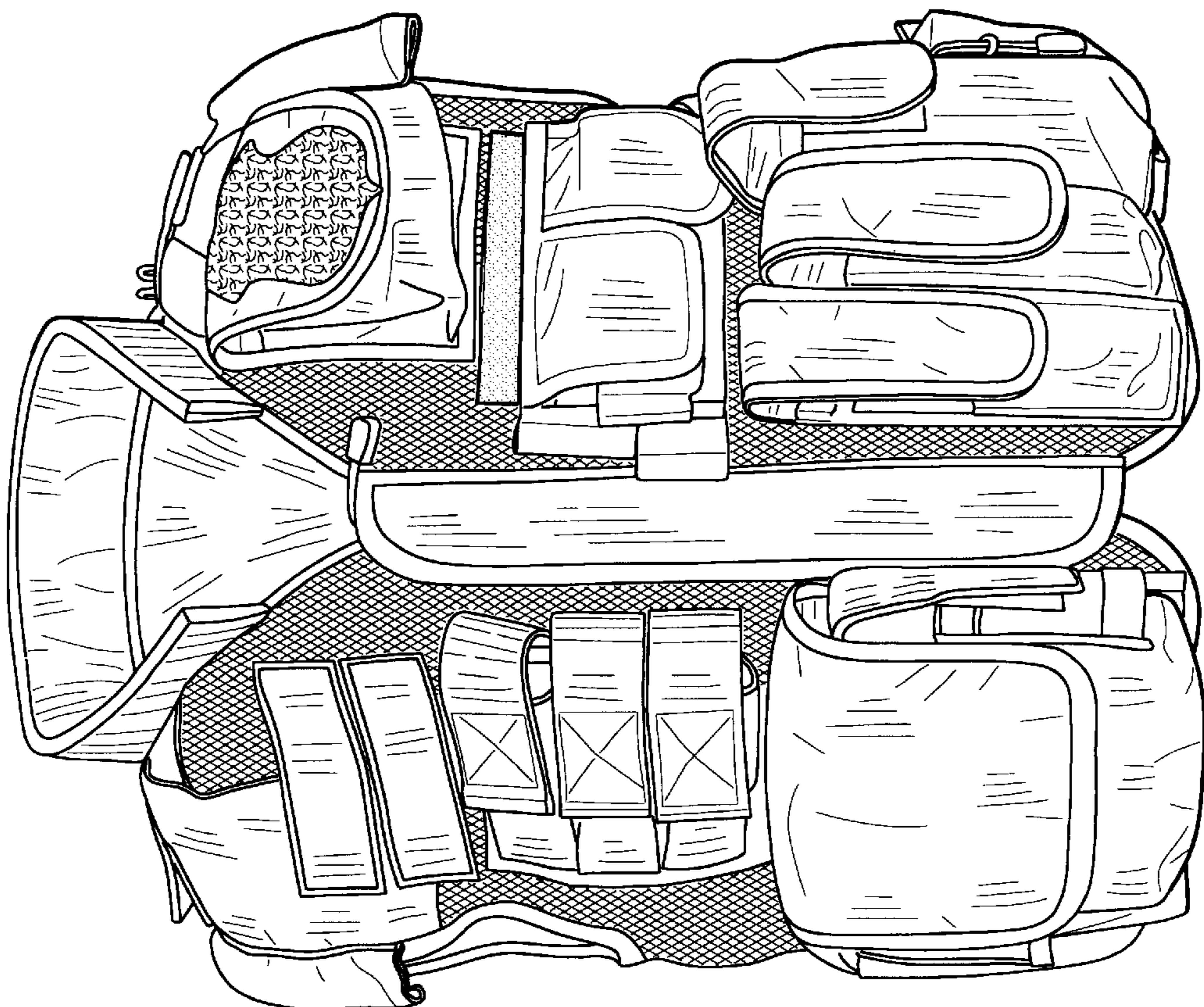


FIG. 2

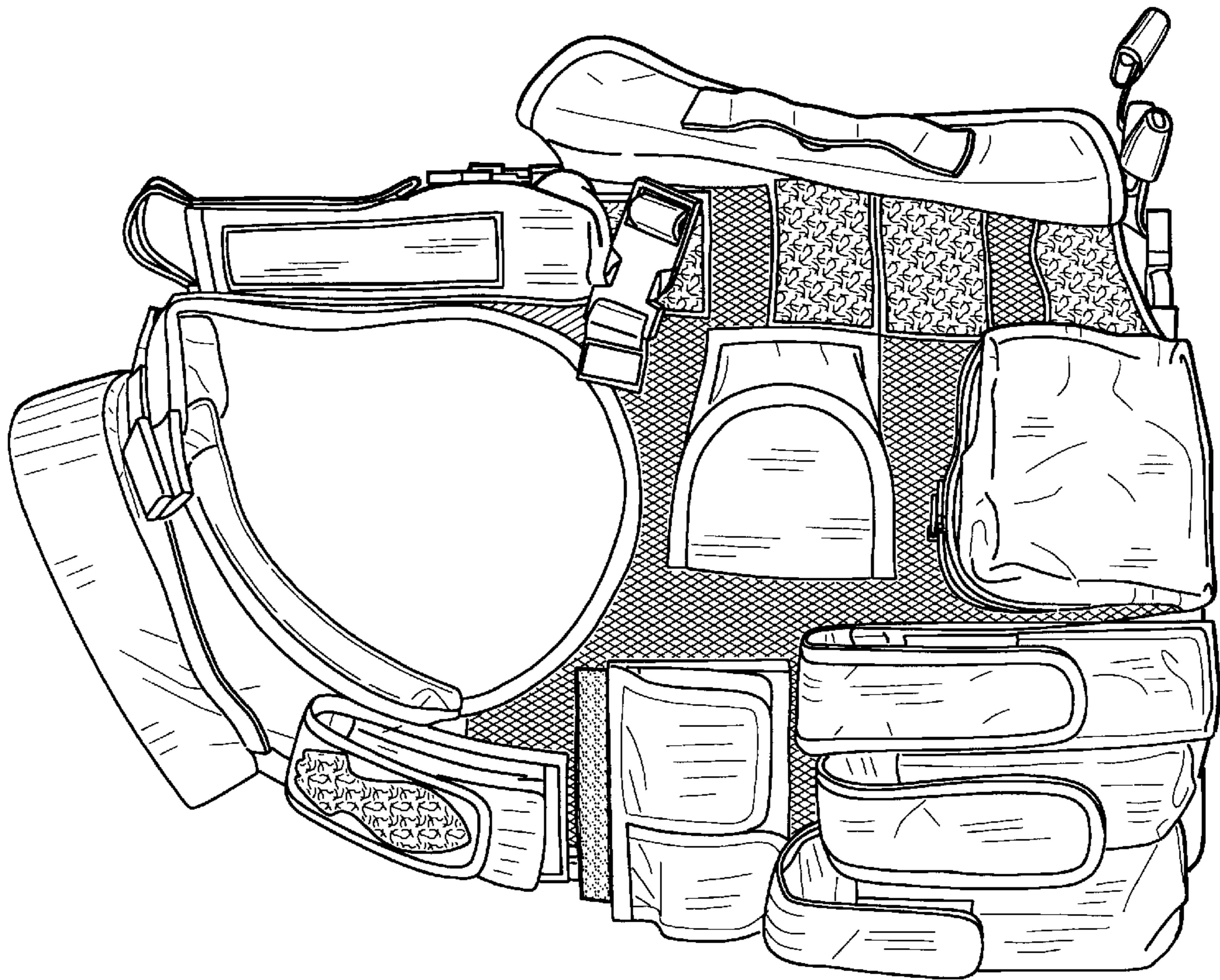


FIG. 5

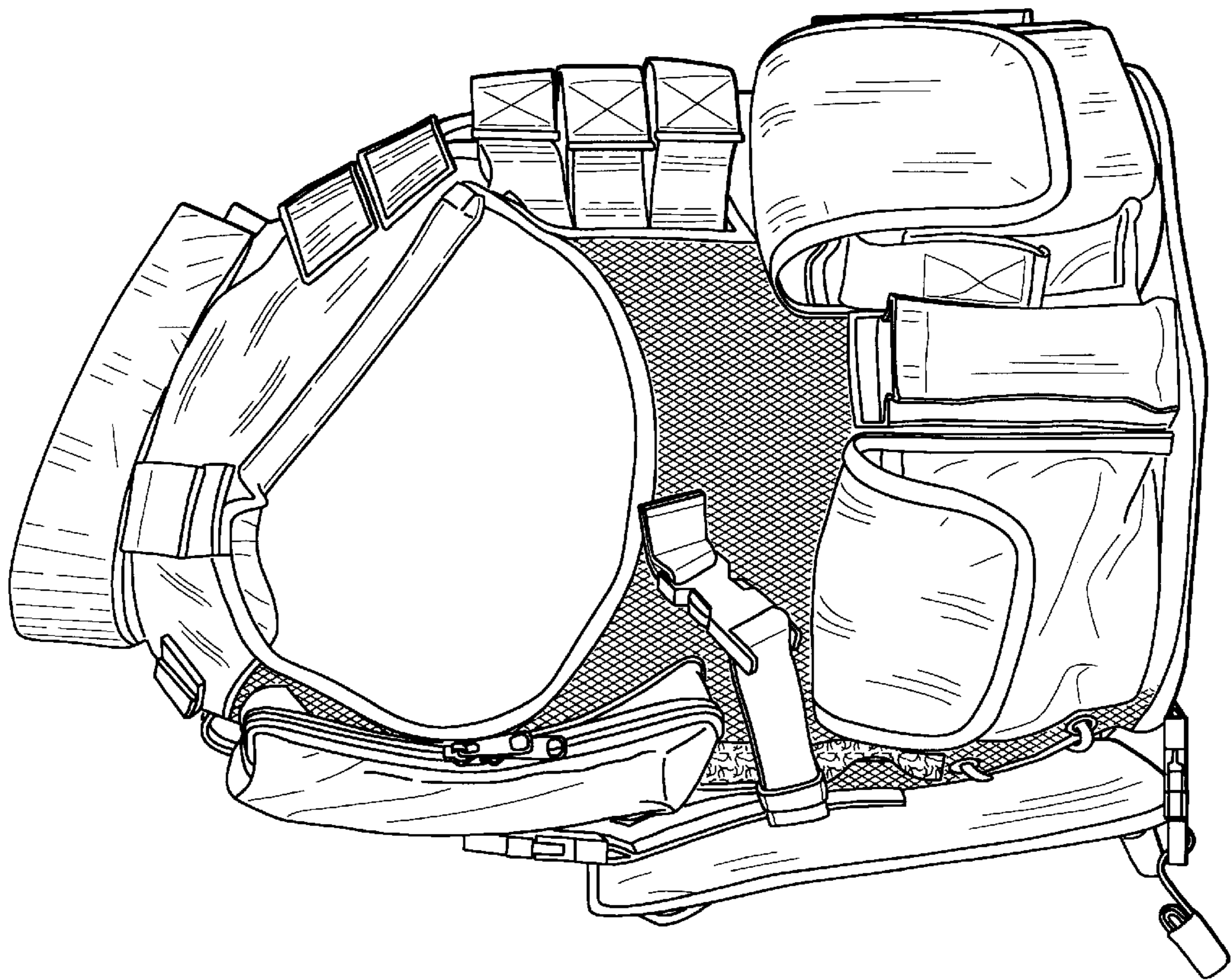


FIG. 4

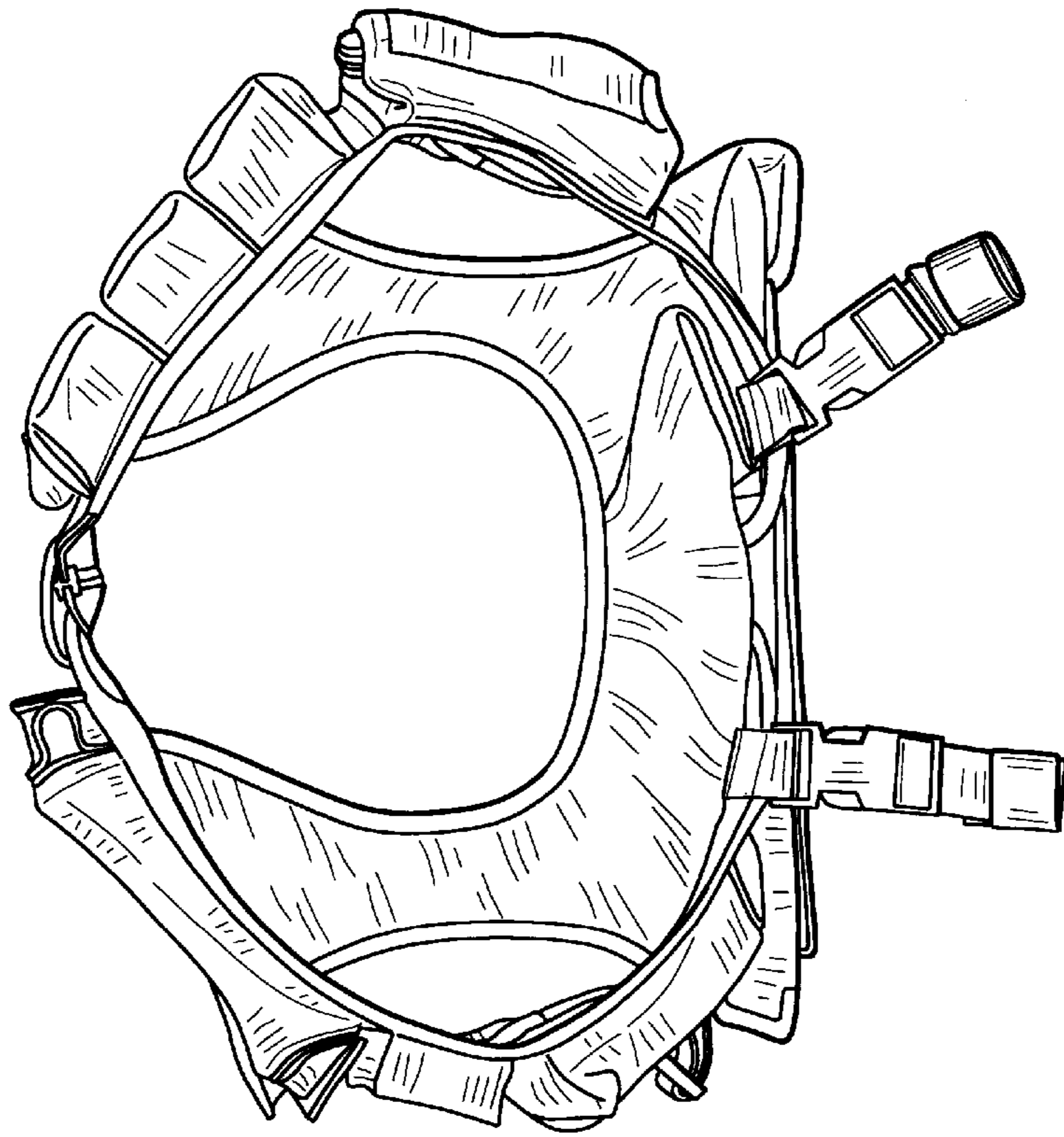


FIG. 7

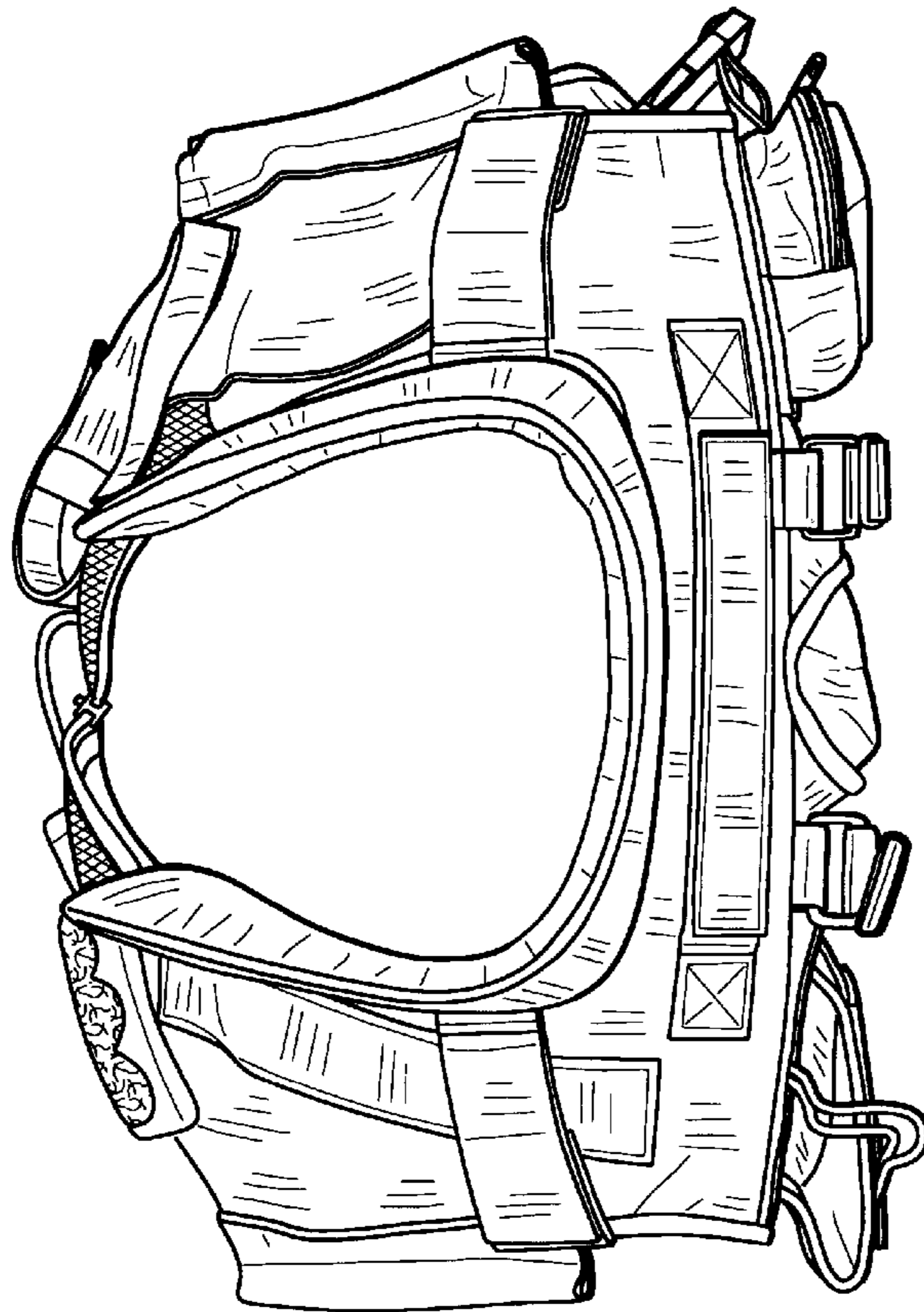


FIG. 6

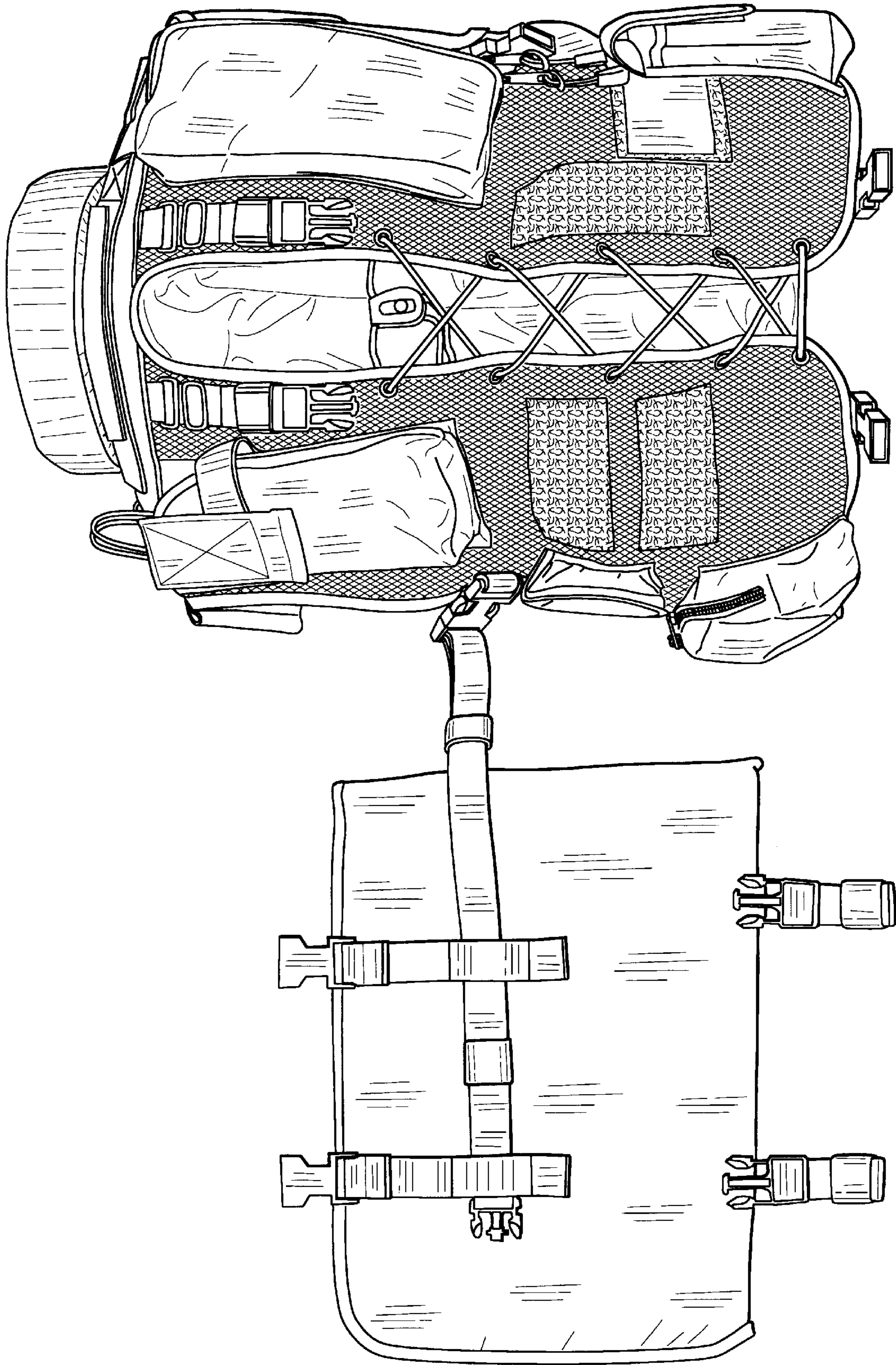


FIG. 8