



US00D414013S

United States Patent [19] Group

[11] **Patent Number: Des. 414,013**

[45] **Date of Patent: ** Sep. 21, 1999**

[54] **COMBINED/CONVERTIBLE JACKET AND TRAVEL PILLOW**

[75] Inventor: **Spencer Myles Group**, New York, N.Y.

[73] Assignee: **Andanna N.A. Inc.**, New York, N.Y.

[**] Term: **14 Years**

[21] Appl. No.: **29/092,892**

[22] Filed: **Aug. 28, 1998**

[51] **LOC (6) Cl.** **02-02**

[52] **U.S. Cl.** **D2/828; D2/830; D2/831**

[58] **Field of Search** D2/825, 828, 830,
D2/831, 836, 839; 2/84, 94, 108, 115

[56] **References Cited**

U.S. PATENT DOCUMENTS

D. 250,226	11/1978	Shaw	D2/830
261,109	7/1882	Watkinson	2/84
D. 277,048	1/1985	Peysen	D2/831
D. 332,171	1/1993	Gudas et al.	D2/830
D. 352,152	11/1994	Maye	D2/830
4,138,742	2/1979	Meeks	2/84
4,404,687	9/1983	Hagar	2/94
4,476,587	10/1984	Itoi	2/94

4,502,155	3/1985	Itoi	2/115
4,944,042	7/1990	DeWan	2/94
5,123,117	6/1992	Prendergast	2/108
5,784,719	7/1998	Robinson	2/94

Primary Examiner—Celia Murphy
Attorney, Agent, or Firm—Lackenbach Siegel Marzullo Aronson & Greenspan, P.C.

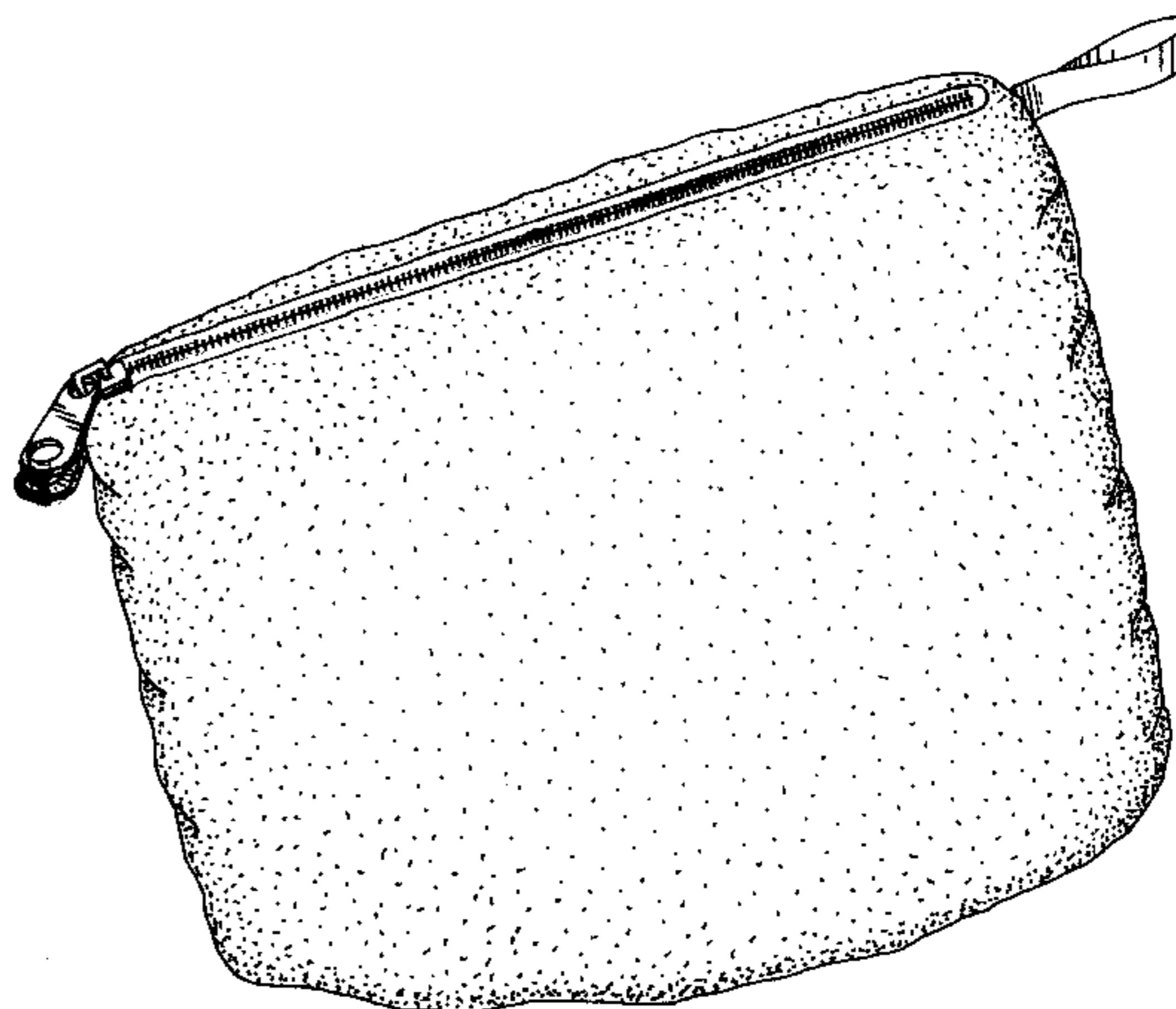
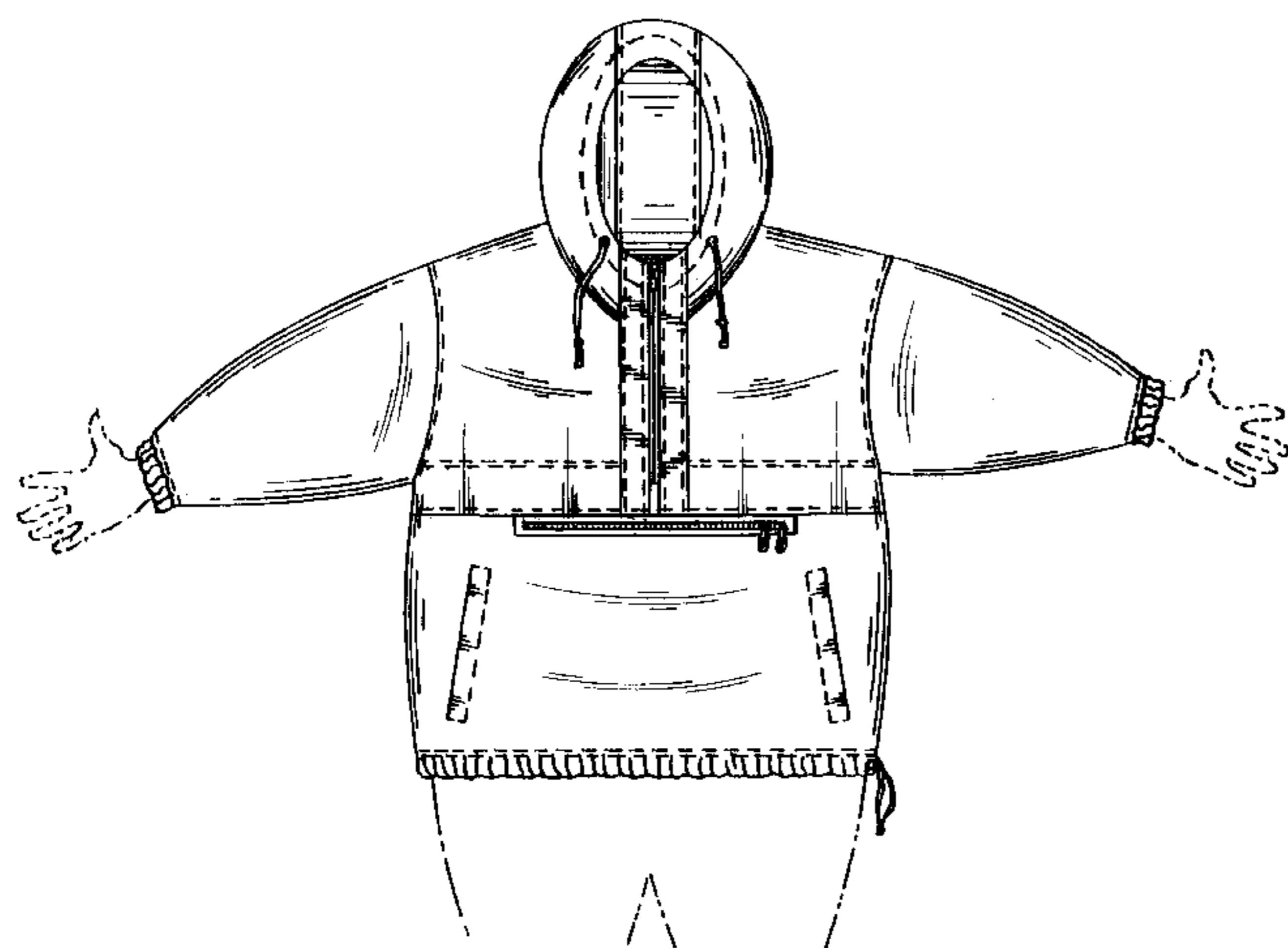
[57] **CLAIM**

The ornamental design for a combined convertible jacket and travel pillow, as shown and described.

DESCRIPTION

FIG. 1 is a front elevational view of a combined convertible jacket and fleece travel pillow, showing my new design; FIG. 2 is a top plan view; FIG. 3 is a rear elevational view; FIG. 4 is a left side elevational view; FIG. 5 is a right side elevational view; FIG. 6 is a front elevational view showing the front pocket open and pulled inside out; FIG. 7 is a perspective view showing the inside out front pocket substantially stuffed with the jacket; and, FIG. 8 is a perspective view showing the finished travel pillow ready for use.

1 Claim, 7 Drawing Sheets



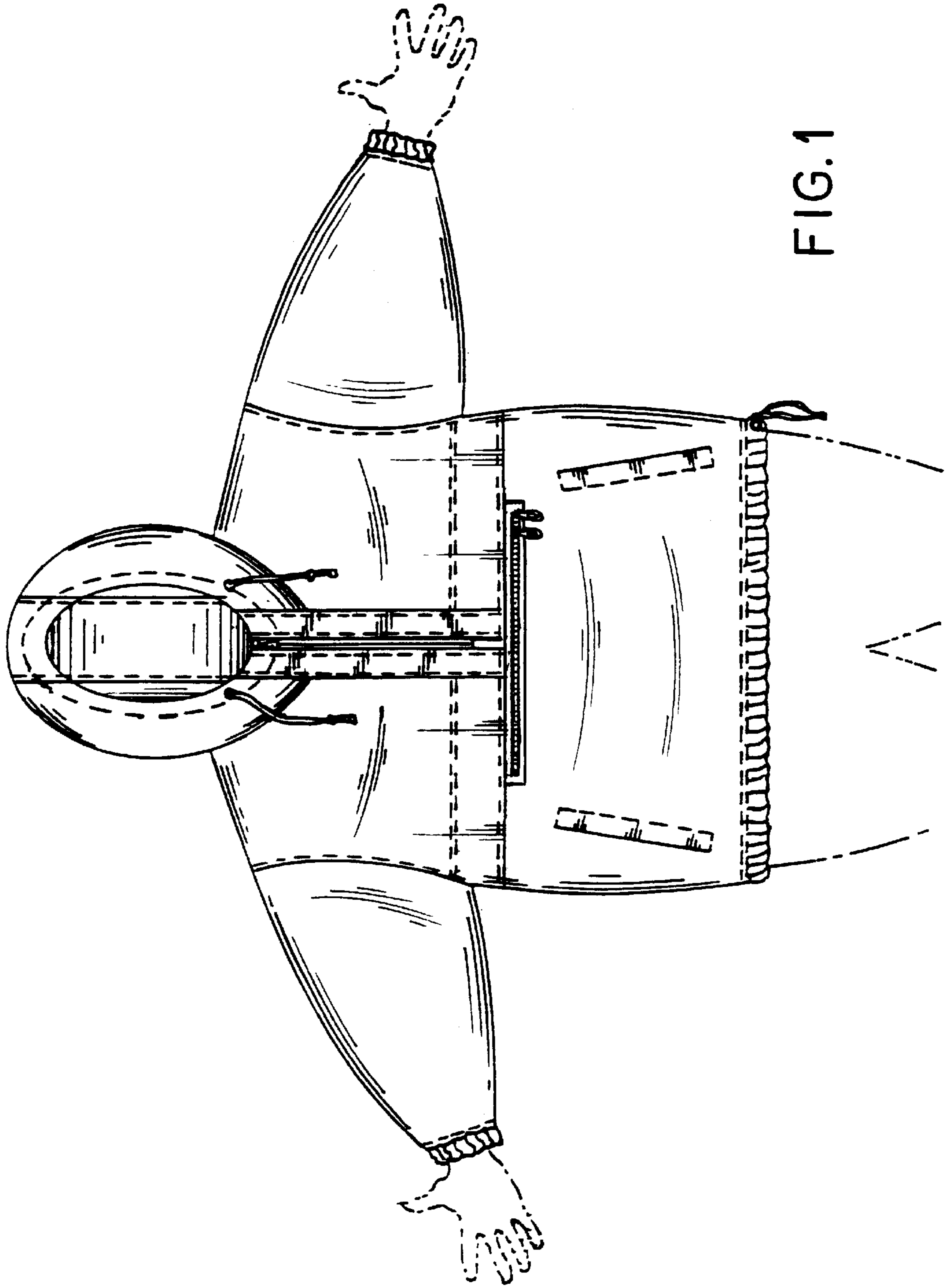


FIG. 1

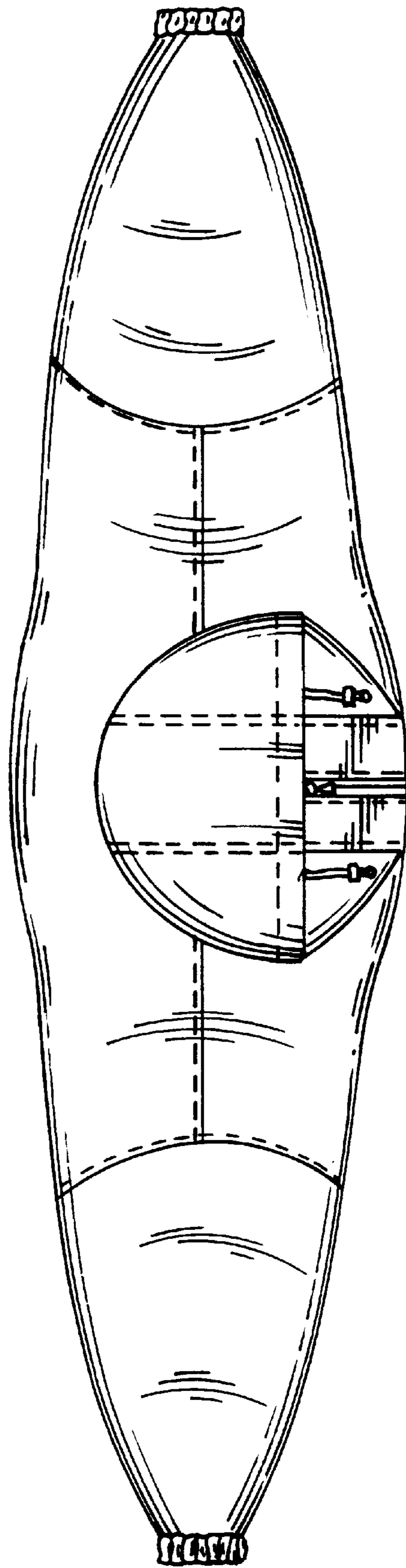


FIG. 2

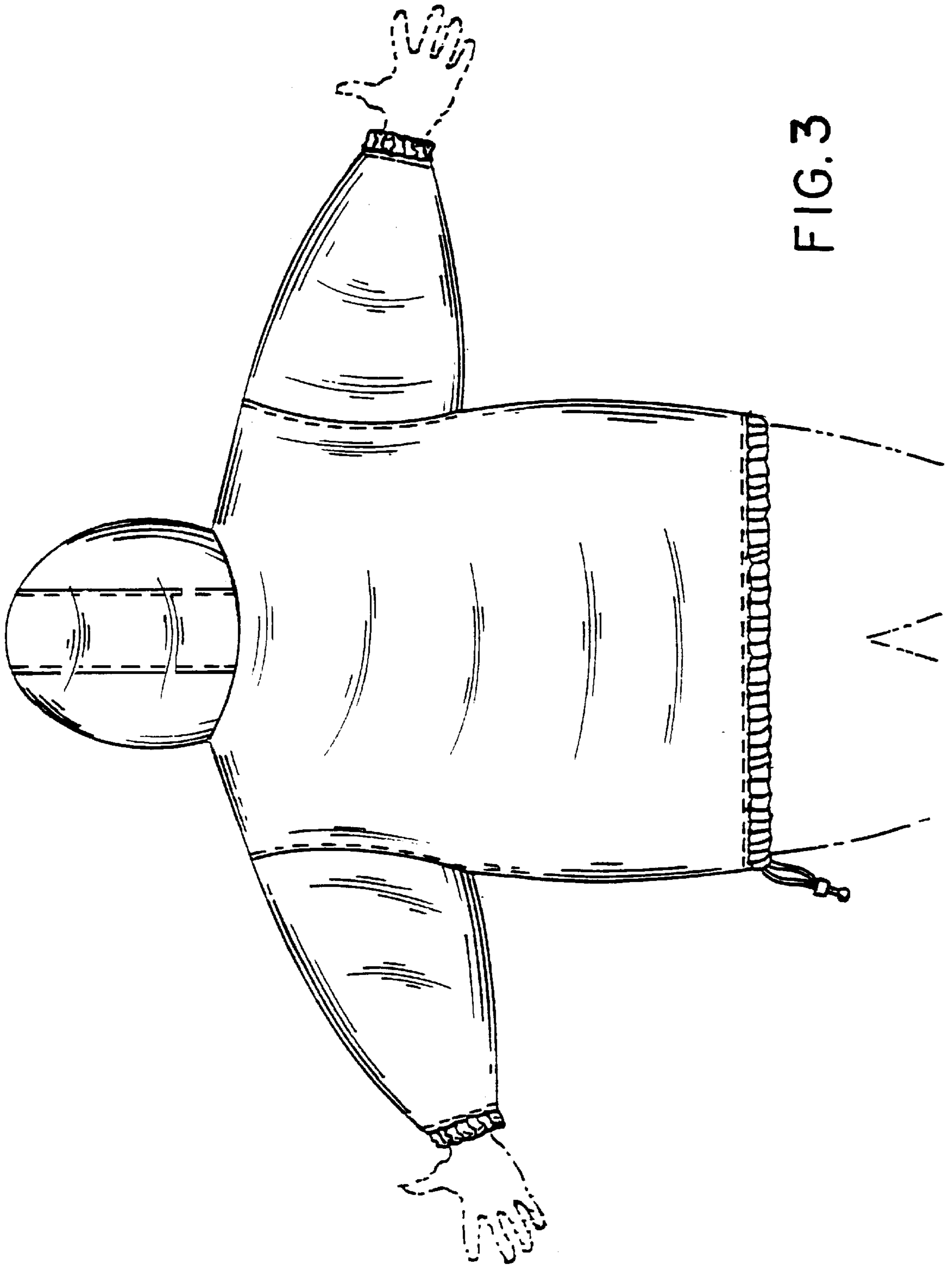


FIG. 3

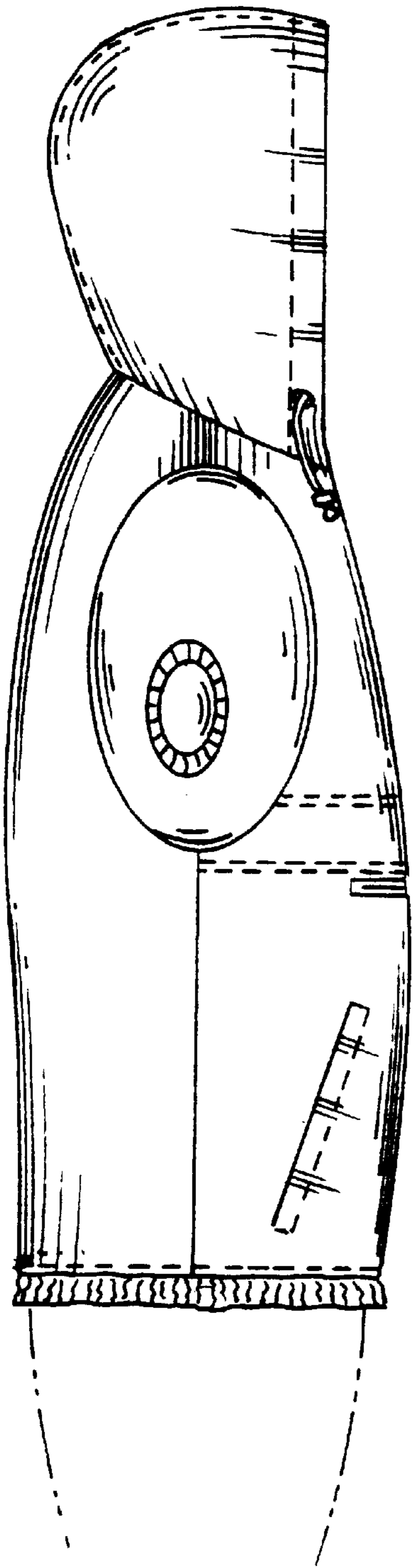


FIG. 4

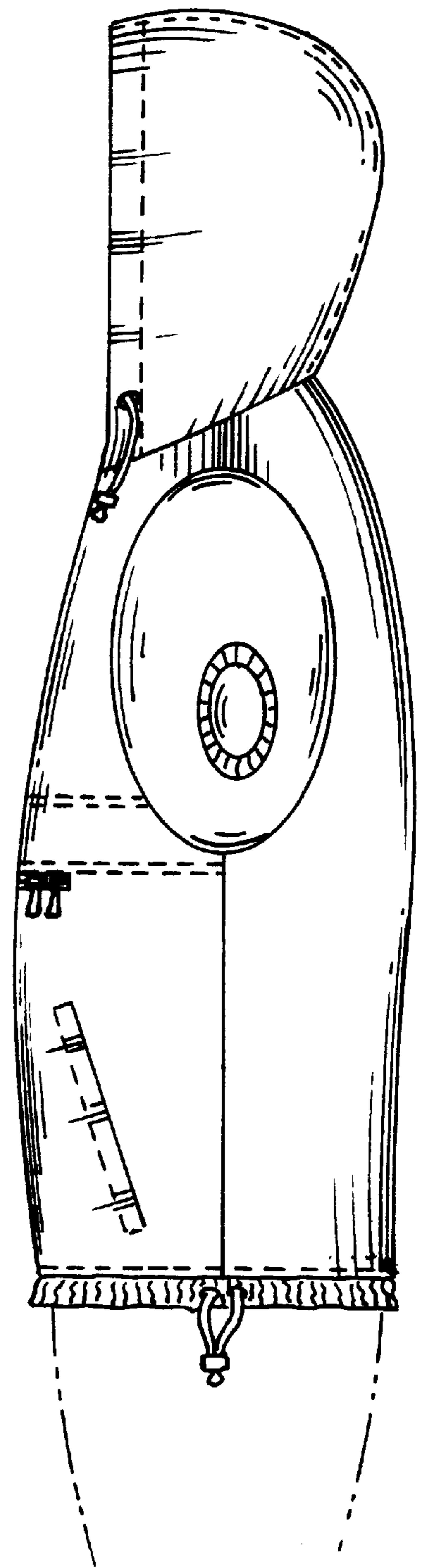


FIG. 5

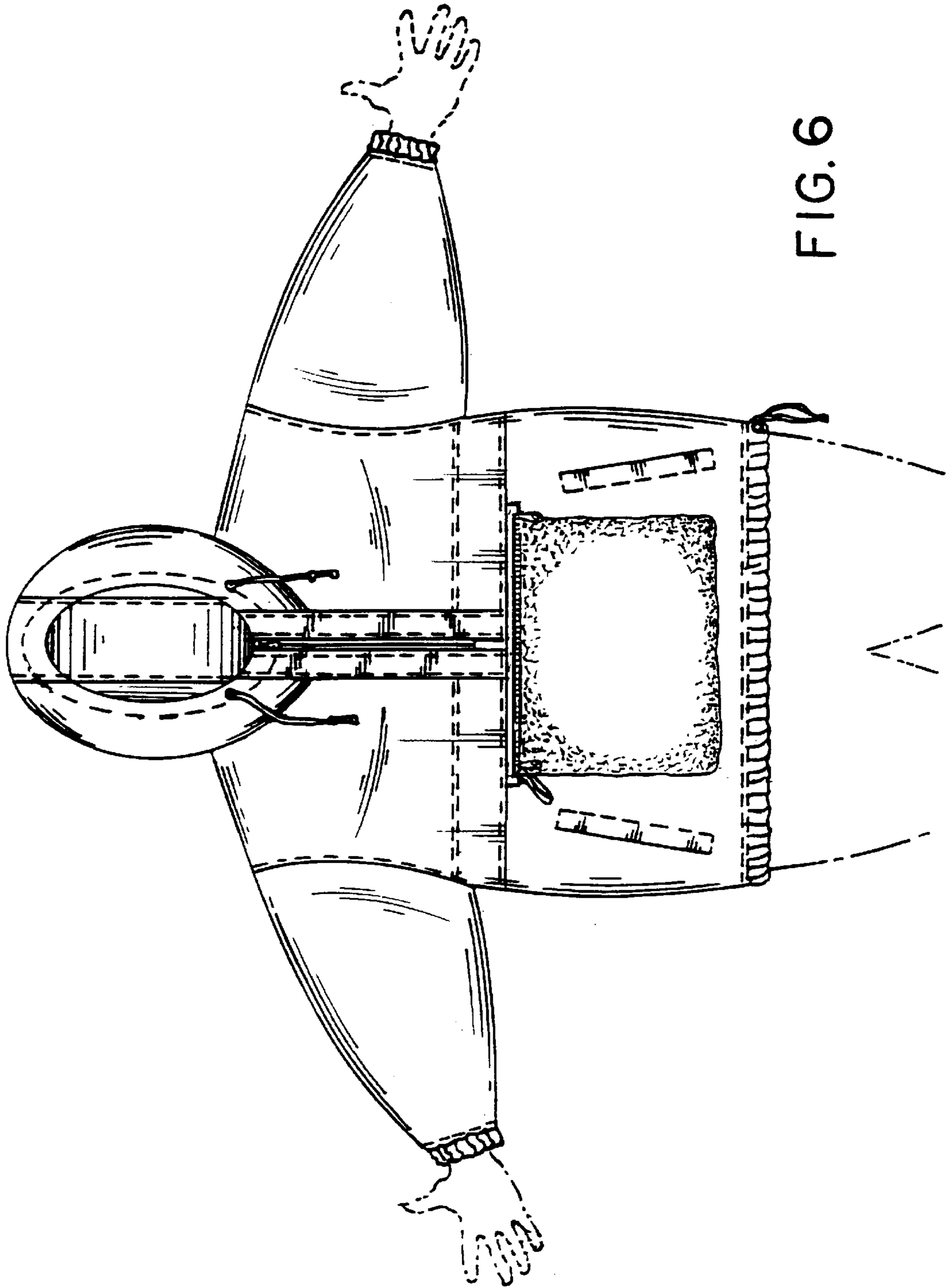
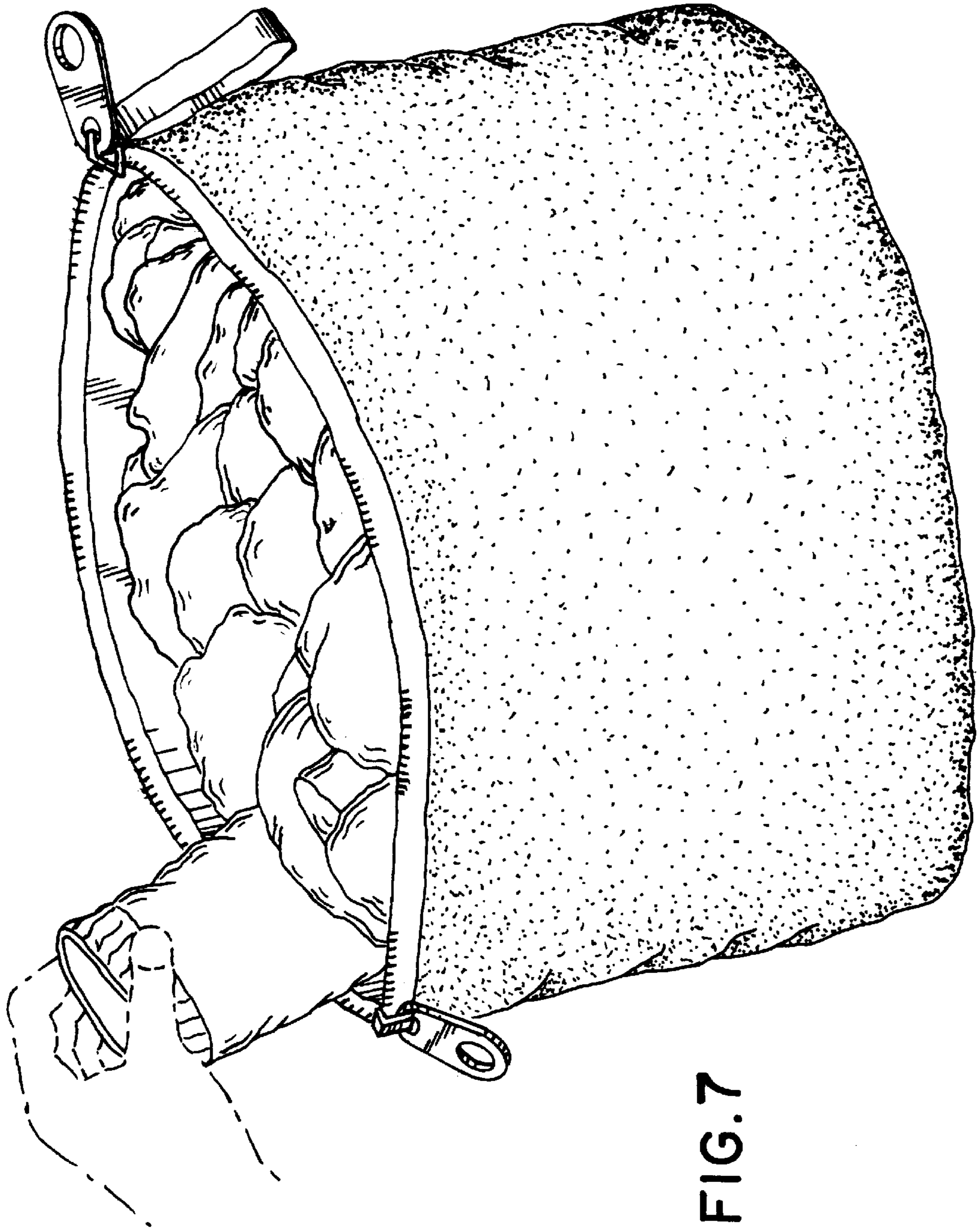


FIG. 6



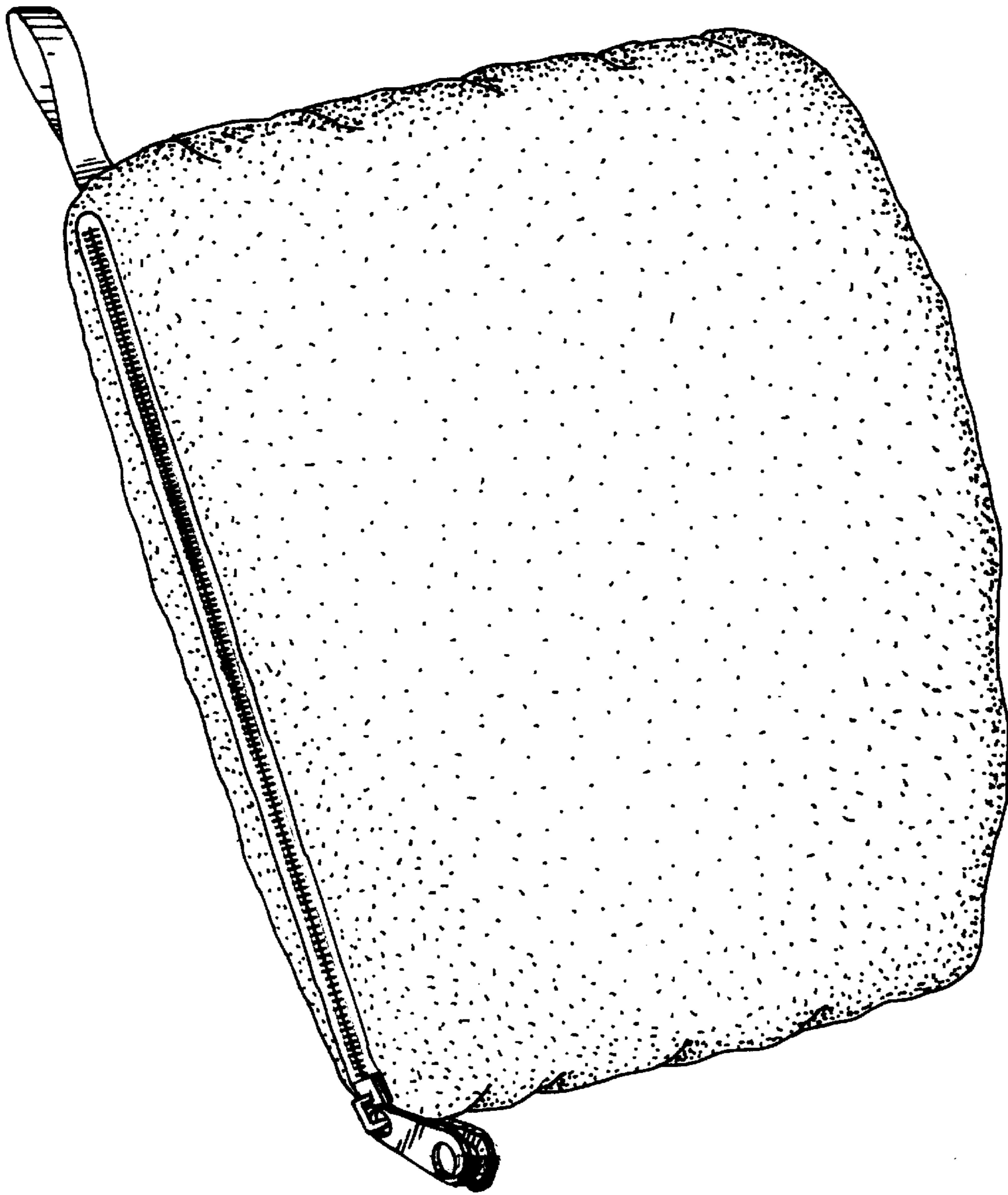


FIG. 8