



US00D414007S

# United States Patent [19]

Hernandez et al.

[11] Patent Number: **Des. 414,007**

[45] Date of Patent: **\*\* Sep. 14, 1999**

[54] **IRONING BOARD ATTACHMENT**

[76] Inventors: **Edmund Hernandez; Bruna Abraham**, both of 5403 Ranger Dr., Covina, Calif. 91722

[\*\*] Term: **14 Years**

[21] Appl. No.: **29/098,150**

[22] Filed: **Dec. 23, 1998**

[51] **LOC (6) Cl.** ..... **07-05**

[52] **U.S. Cl.** ..... **D32/66; D3/316**

[58] **Field of Search** ..... D32/71, 66; D3/316; 248/51, 52, 117.1, 117.2, 117.3, 311.2, 79; 38/106, 107, 108; 211/141, 74

[56] **References Cited**

**U.S. PATENT DOCUMENTS**

D. 392,081	3/1998	Salvucci, Sr.	.....	D3/316	X
2,904,299	9/1959	Dalton	.....	248/311.2	
3,987,993	10/1976	Hopkins	.....	248/311.2	X
4,154,010	5/1979	Evans	.....	38/106	
4,535,921	8/1985	Sanders	.....	223/106	
4,557,452	12/1985	Khuong	.....	248/311.2	
4,893,770	1/1990	Bejak et al.	.....	248/117.1	

5,379,536	1/1995	Lorenzana	.....	38/106	
5,472,157	12/1995	Lehrman	.....	248/51	
5,607,125	3/1997	Spencer	.....	248/51	
5,718,405	2/1998	Adachi	.....	248/311.2	
5,762,307	6/1998	Patmore	.....	348/311.2	

*Primary Examiner*—Susan J. Lucas  
*Assistant Examiner*—Cynthia Ramirez  
*Attorney, Agent, or Firm*—Goldstein & Canino

[57] **CLAIM**

The ornamental design for an ironing board attachment, as shown and described.

**DESCRIPTION**

FIG. 1 is a diagrammatic perspective view of the ironing board attachment.  
FIG. 2 is a front elevational view thereof.  
FIG. 3 is a rear elevational view thereof.  
FIG. 4 is a top plan view thereof.  
FIG. 5 is a bottom plan view thereof.  
FIG. 6 is a left side elevational view of the ironing board attachment; and,  
FIG. 7 is a right side elevational view thereof.

**1 Claim, 4 Drawing Sheets**

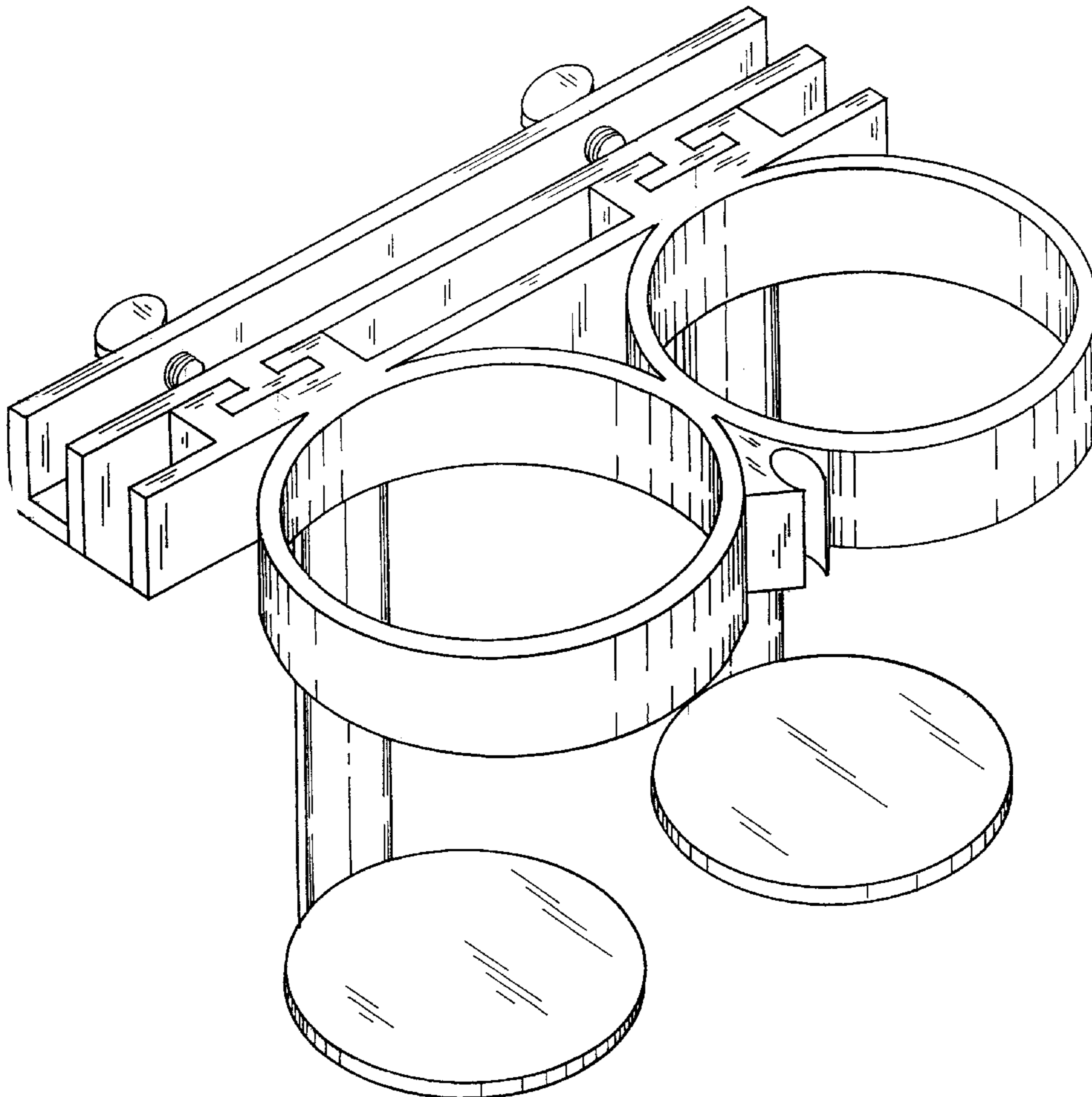


FIG. 1

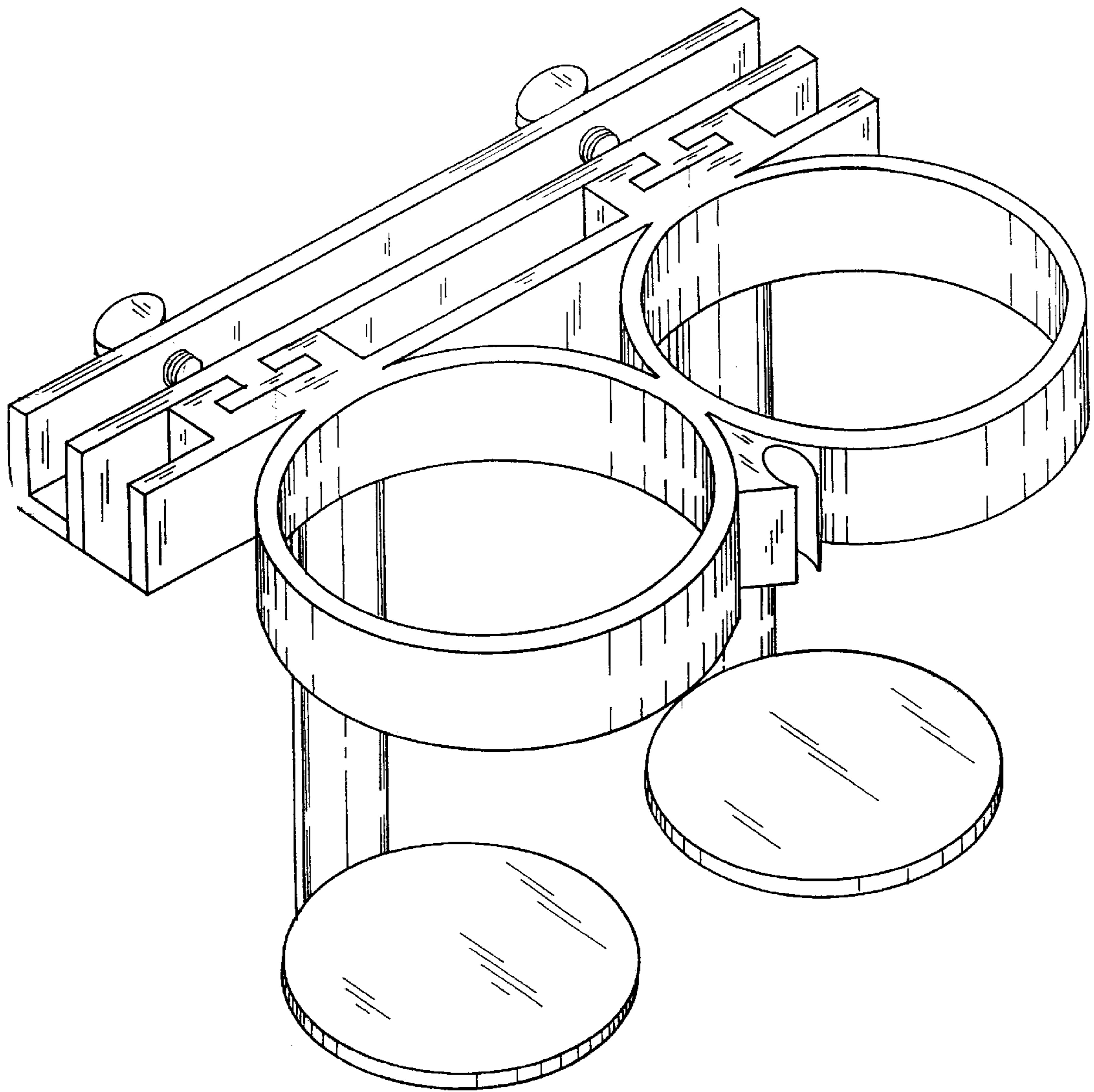


FIG. 2

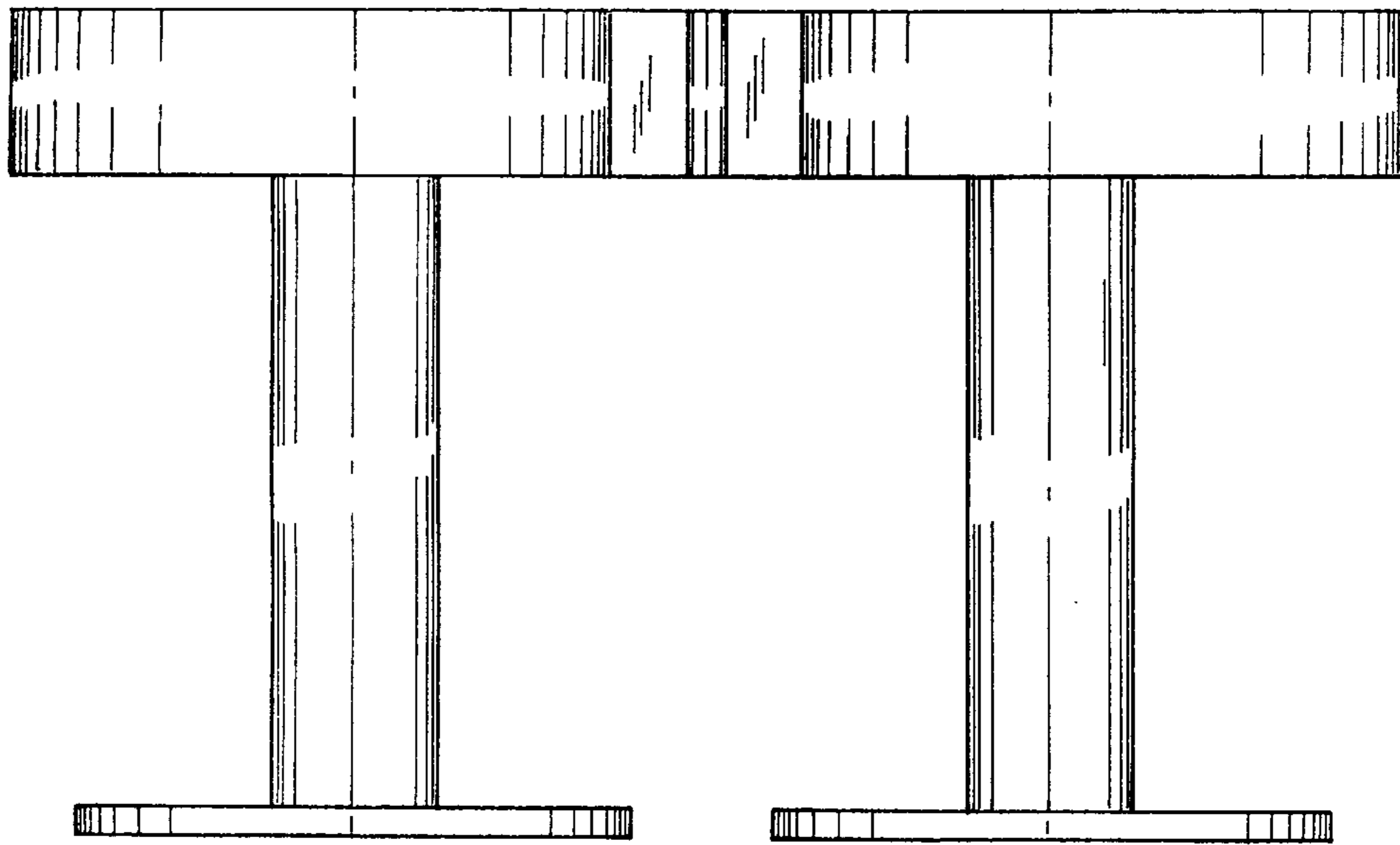


FIG. 3

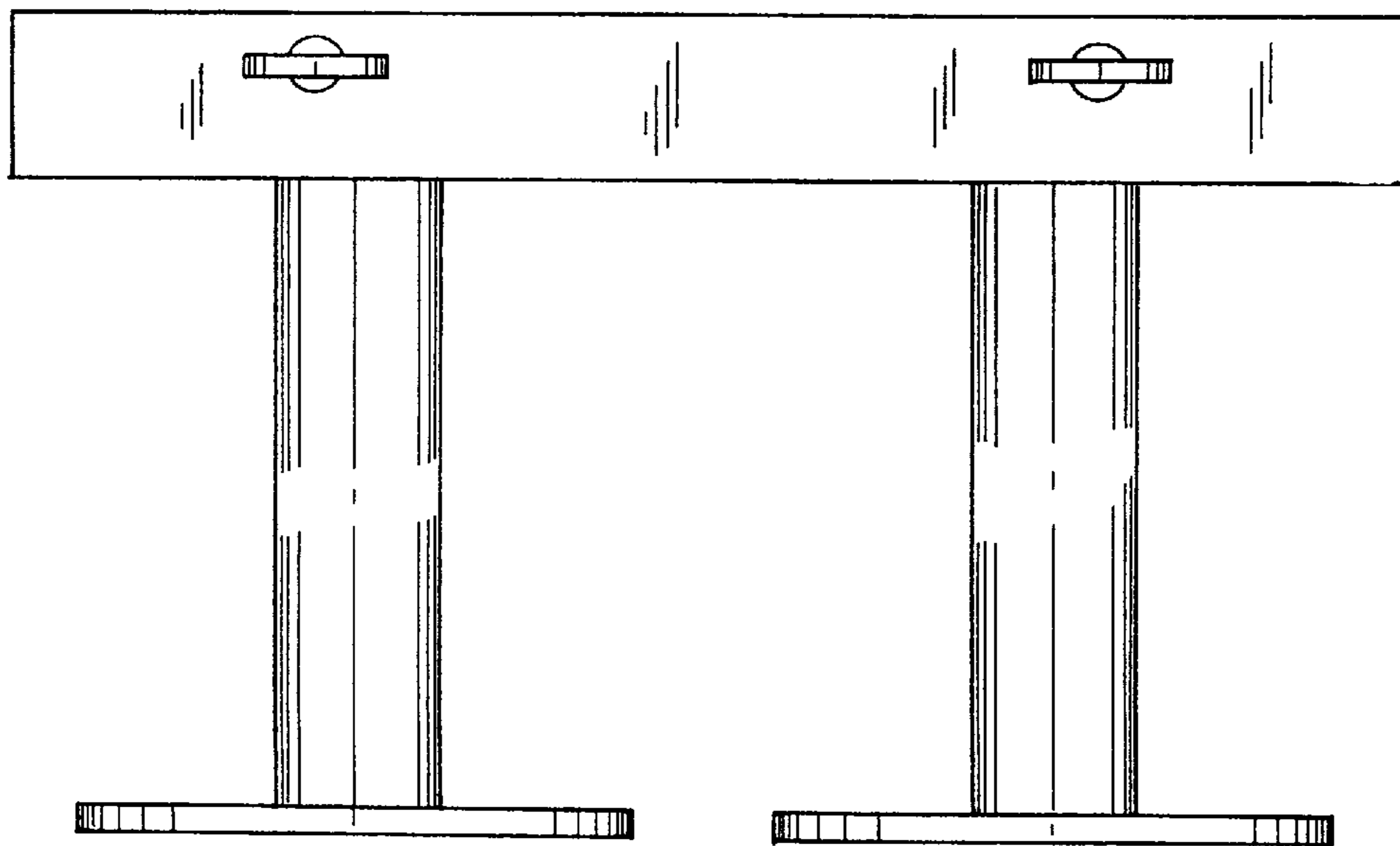


FIG. 4

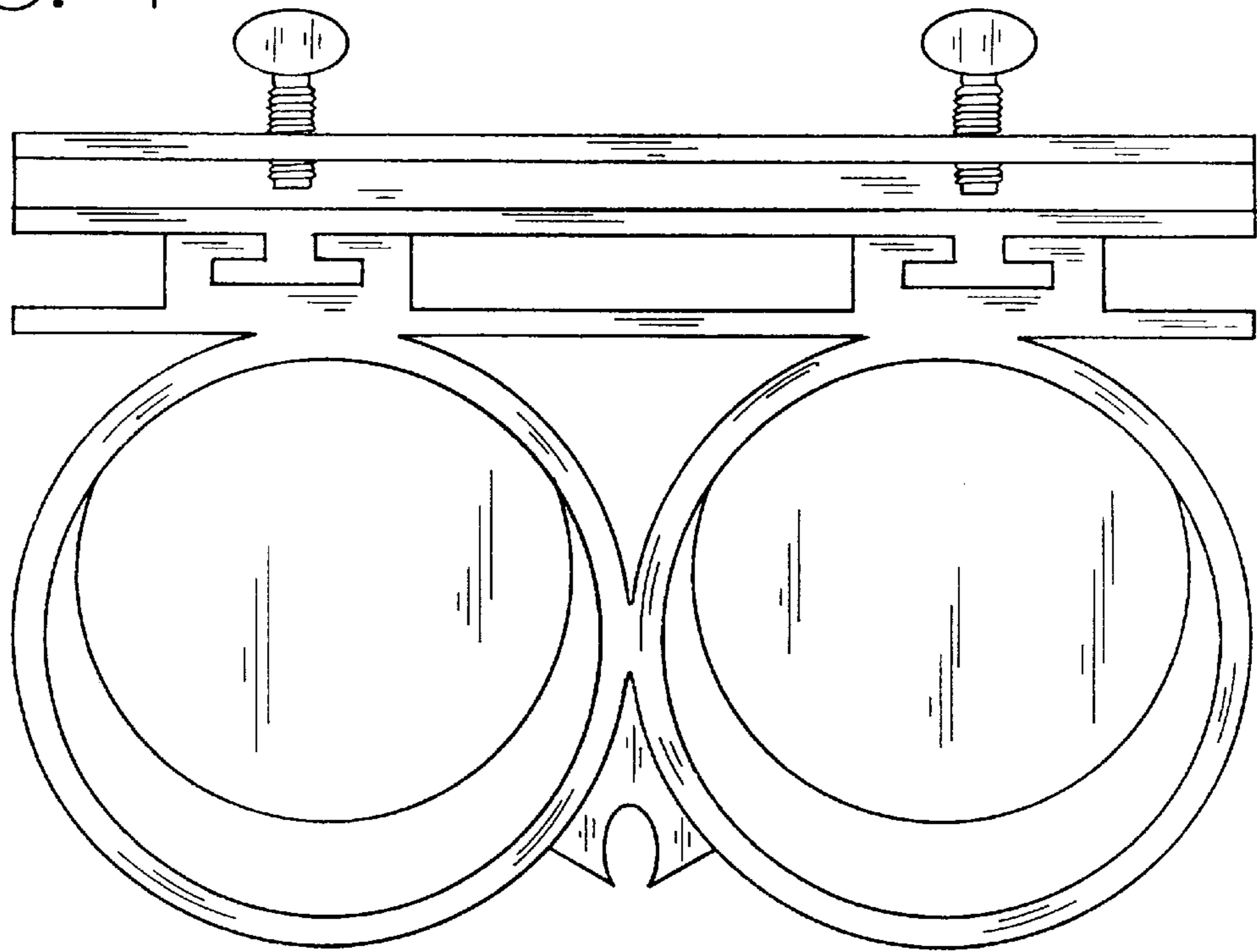


FIG. 5

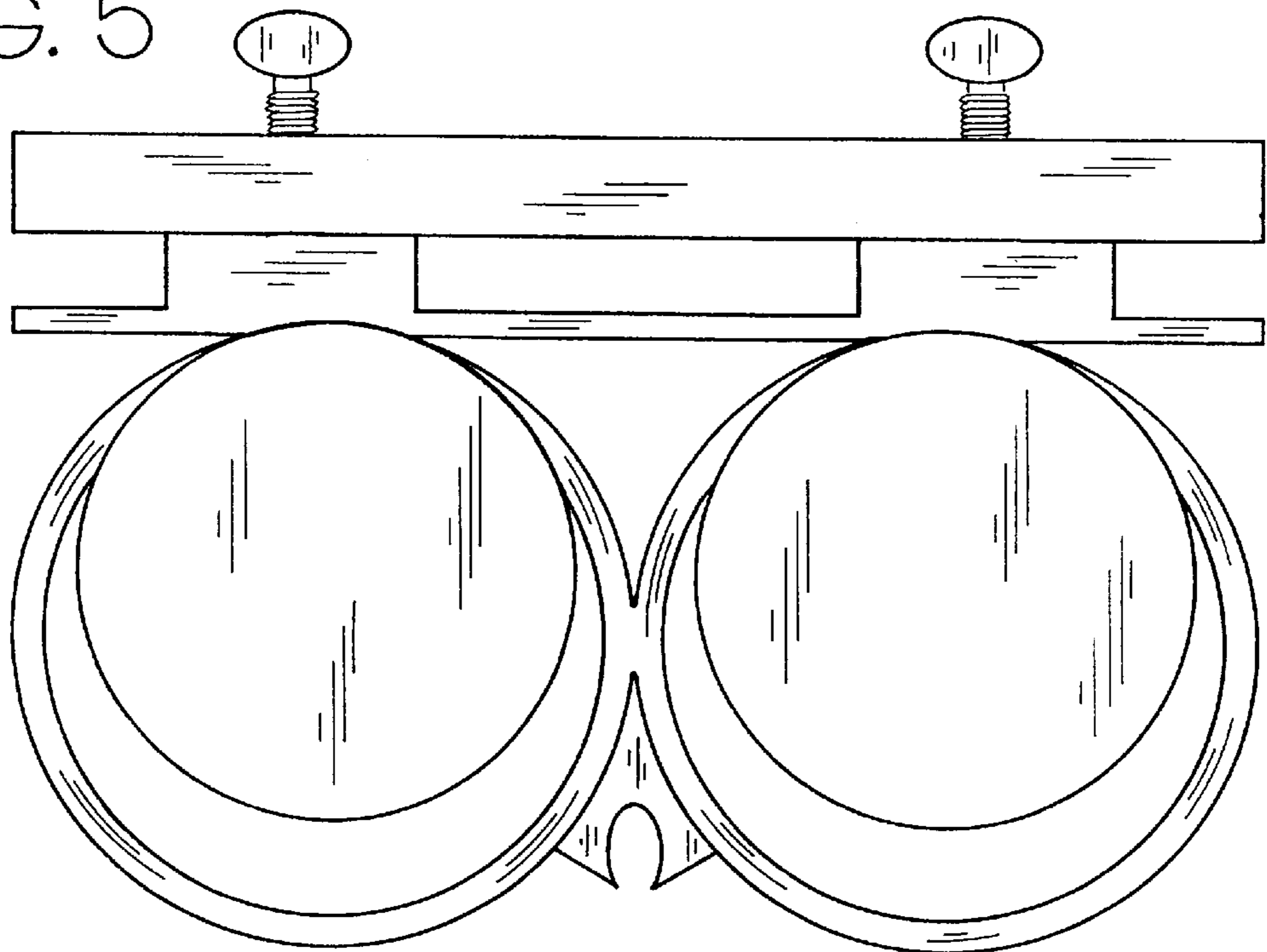


FIG. 6

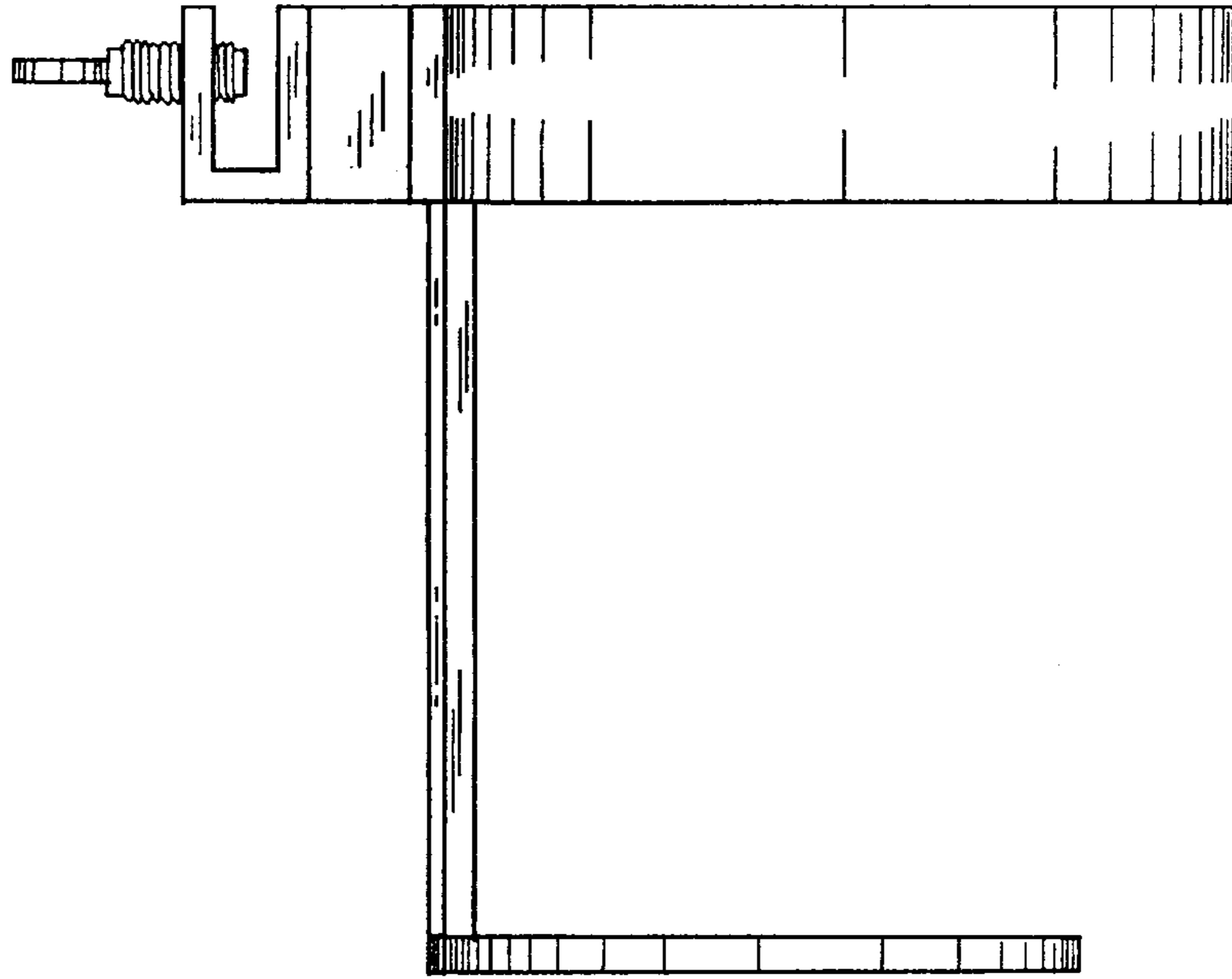


FIG. 7

