



US00D414005S

# United States Patent [19] Lehnertz

[11] **Patent Number: Des. 414,005**

[45] **Date of Patent: \*\* Sep. 14, 1999**

[54] **SPONGE APPLICATOR**

[75] Inventor: **Jerry Lehnertz**, Laguna Niguel, Calif.

[73] Assignee: **Prolong Super Lubricants, Inc.**, Irvine, Calif.

[\*\*] Term: **14 Years**

[21] Appl. No.: **29/097,737**

[22] Filed: **Dec. 11, 1998**

[51] **LOC (6) Cl. .... 08-05**

[52] **U.S. Cl. .... D32/45**

[58] **Field of Search** ..... D32/45; 401/203,  
401/204, 130, 137, 138, 139, 156, 196,  
261, 263; 15/159.1, 209.1, 244.1; D28/63,  
7

[56] **References Cited**

**U.S. PATENT DOCUMENTS**

D. 294,533	3/1988	Spencer	.....	D32/45
D. 381,518	7/1997	Emerson et al.	.....	D28/63 X
D. 387,704	12/1997	Berti	.....	D32/45 X
D. 394,331	5/1998	Price	.....	D28/63

2,491,274	12/1949	McNeill	.....	15/244.1
2,551,776	5/1951	Waltz	.....	401/203
2,601,689	7/1952	Mallard	.....	401/203
2,679,064	5/1954	Palma, Jr. et al.	.....	15/244.1
2,817,106	12/1957	Putz	.....	15/209.1
5,240,339	8/1993	DeForest et al.	.....	15/244.1 X
5,331,710	7/1994	Tollasepp	.....	15/210.1
5,625,918	5/1997	Kieson et al.	.....	15/244.1 X

*Primary Examiner*—Susan J. Lucas  
*Assistant Examiner*—Cynthia E. Ramirez  
*Attorney, Agent, or Firm*—Fulwider Patton Lee & Utecht, LLP

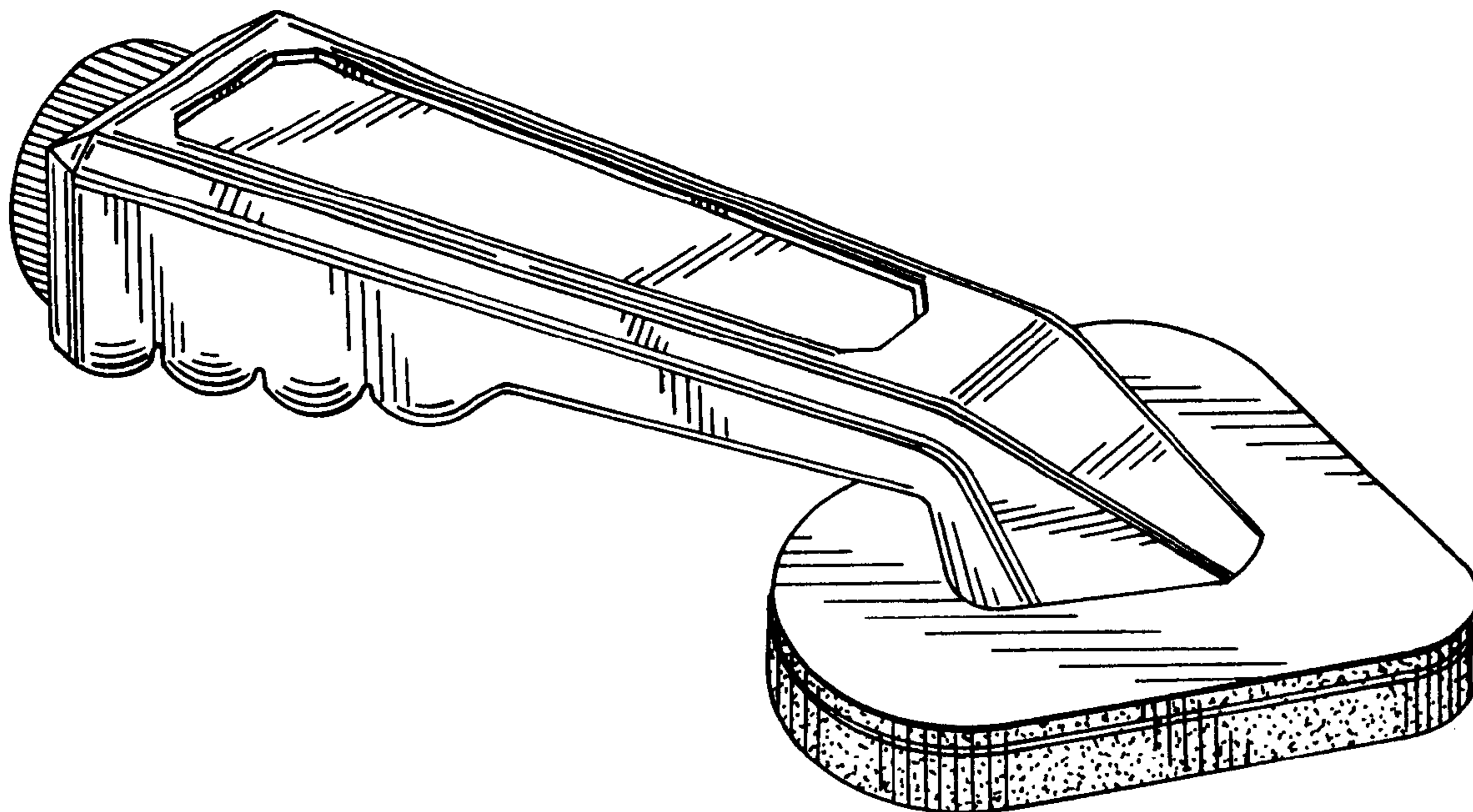
[57] **CLAIM**

The ornamental design of a sponge applicator, as shown.

**DESCRIPTION**

FIG. 1 is a perspective view of the present invention of a sponge applicator;  
FIG. 2 is a side plan view;  
FIG. 3 is a top plan view;  
FIG. 4 is a bottom plan view;  
FIG. 5 is a front plan view; and,  
FIG. 6 is a rear plan view.

**1 Claim, 2 Drawing Sheets**



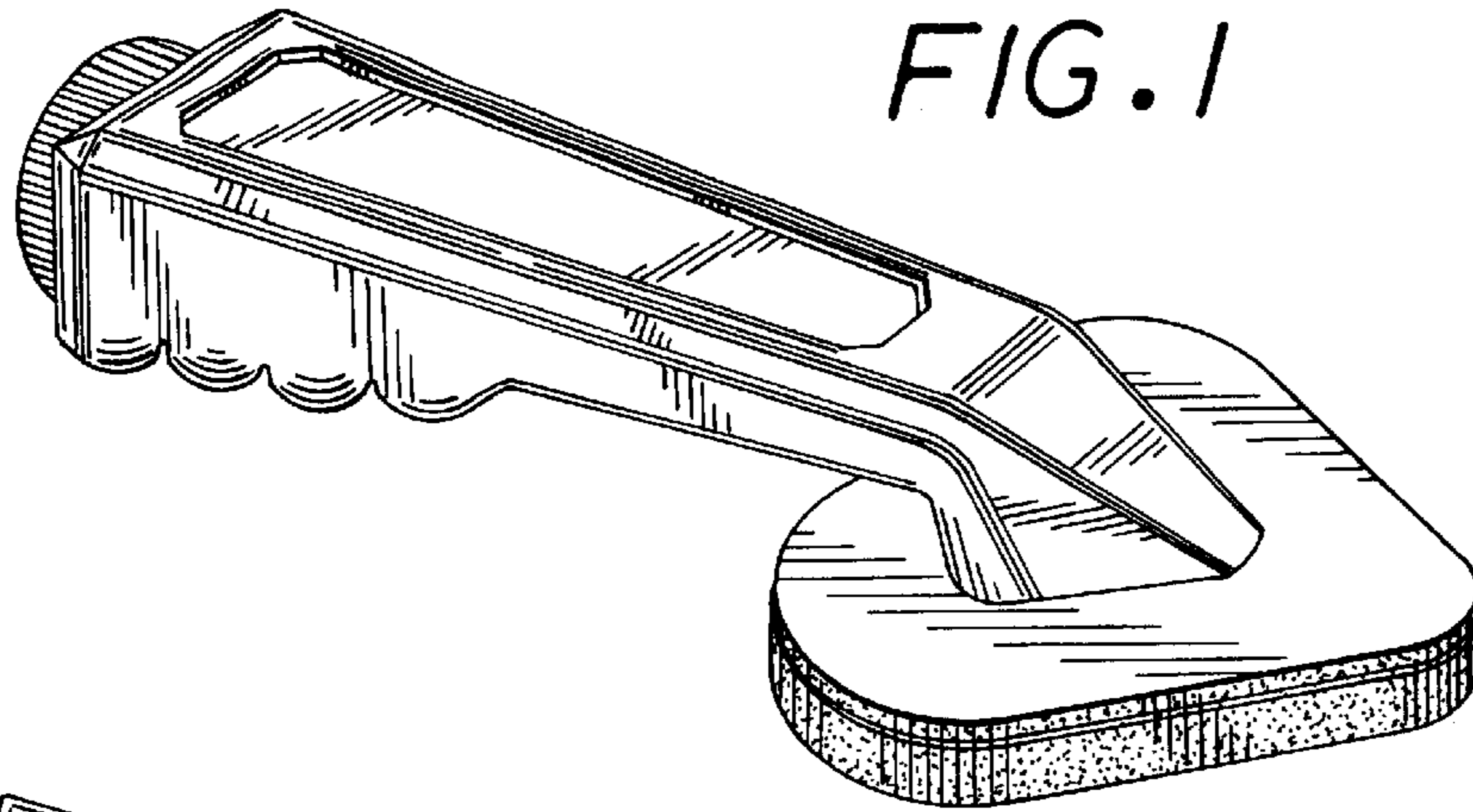


FIG. 1

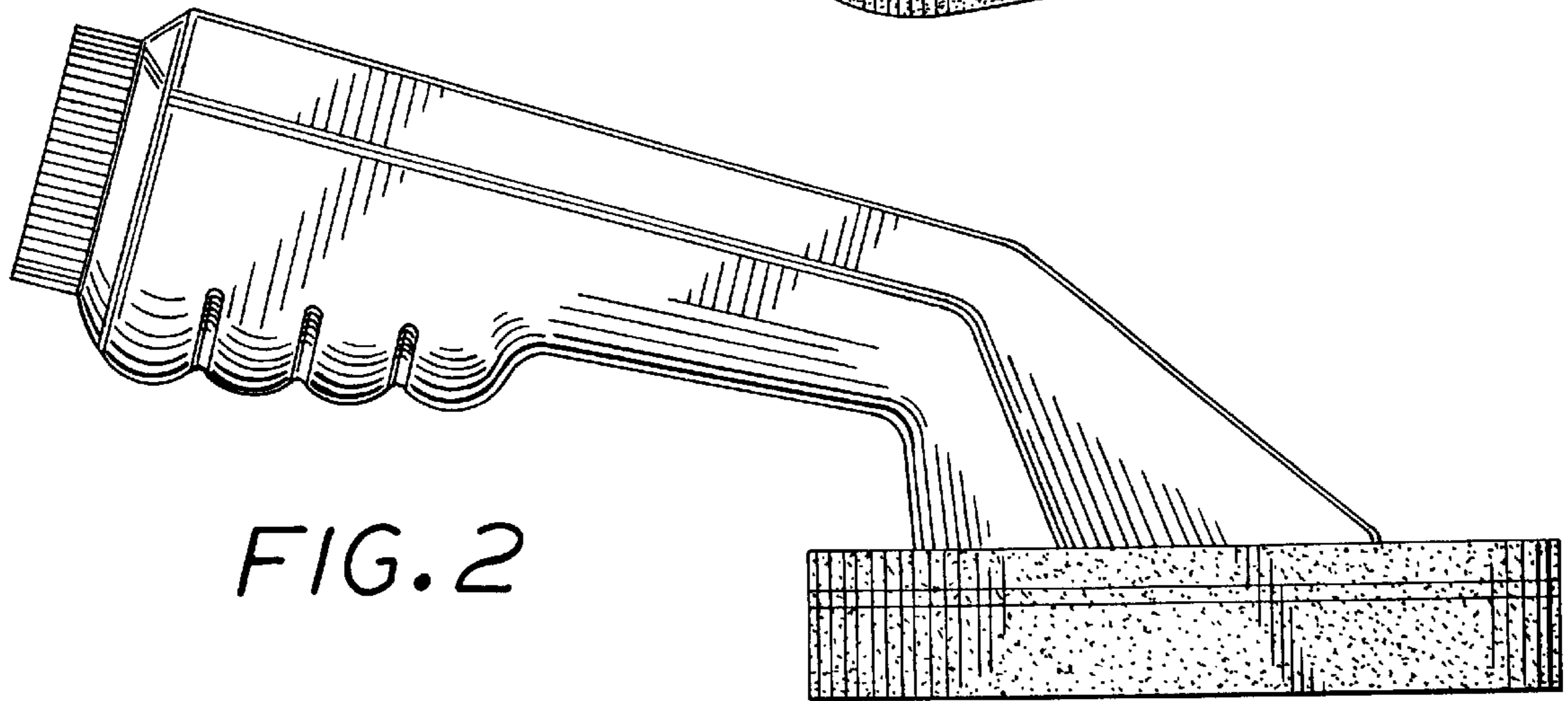


FIG. 2

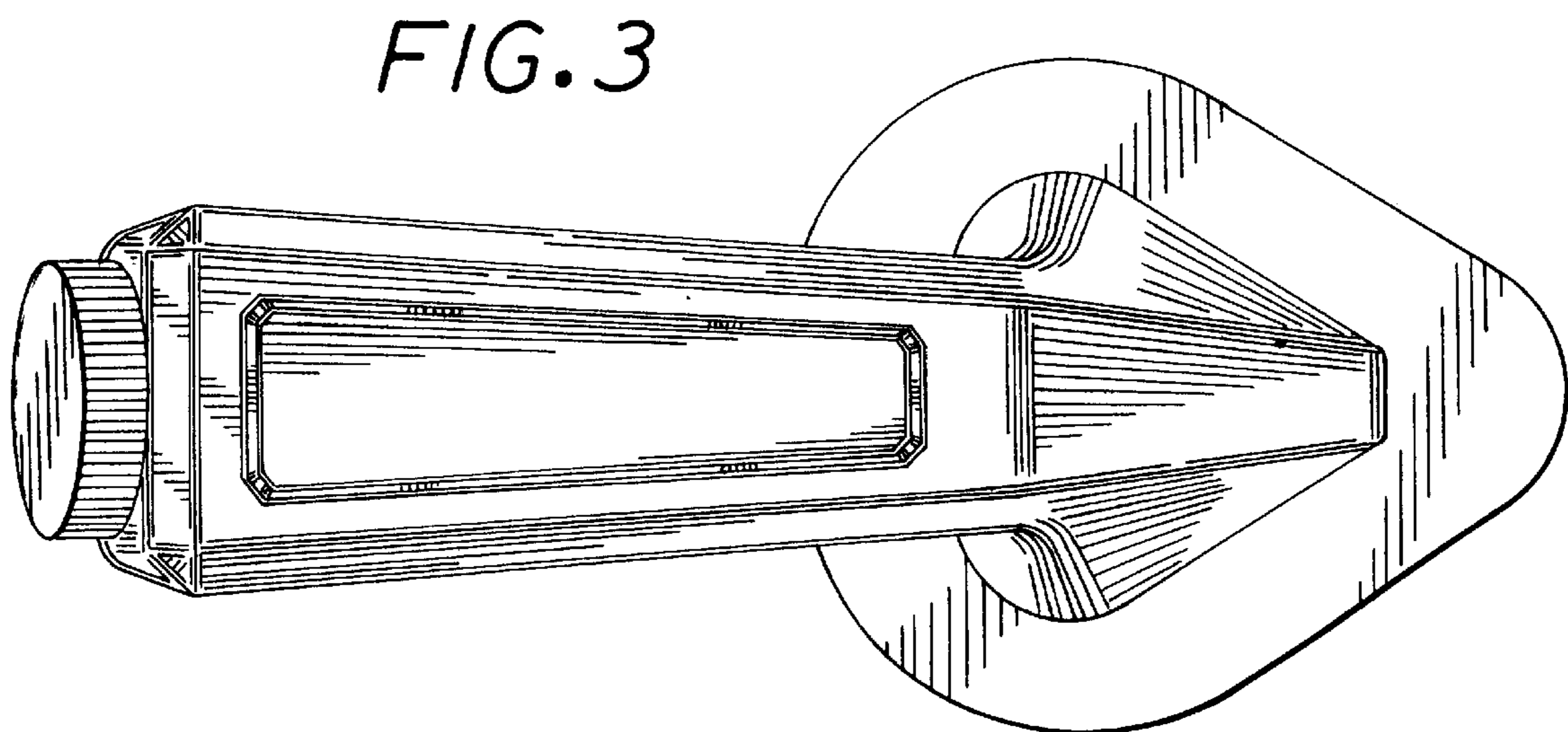


FIG. 3

FIG. 4

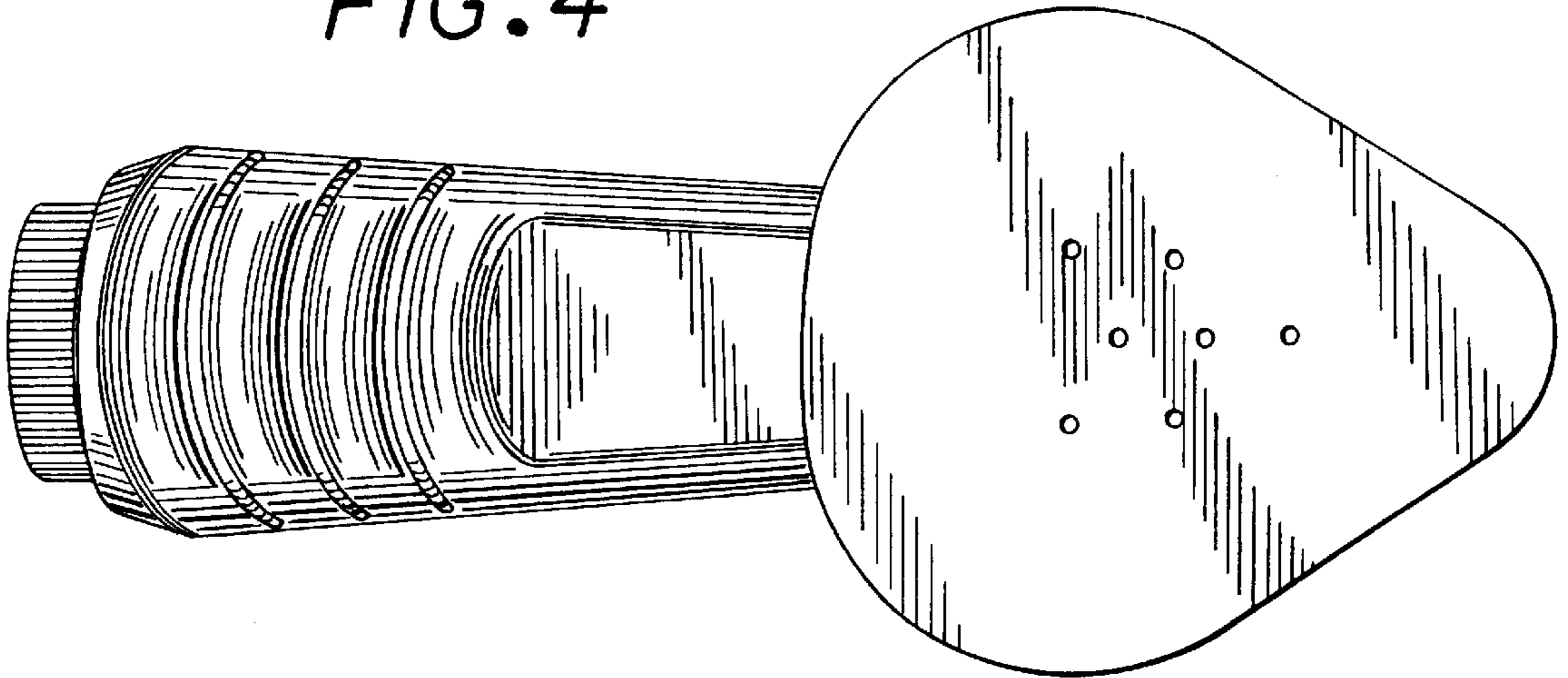


FIG. 5

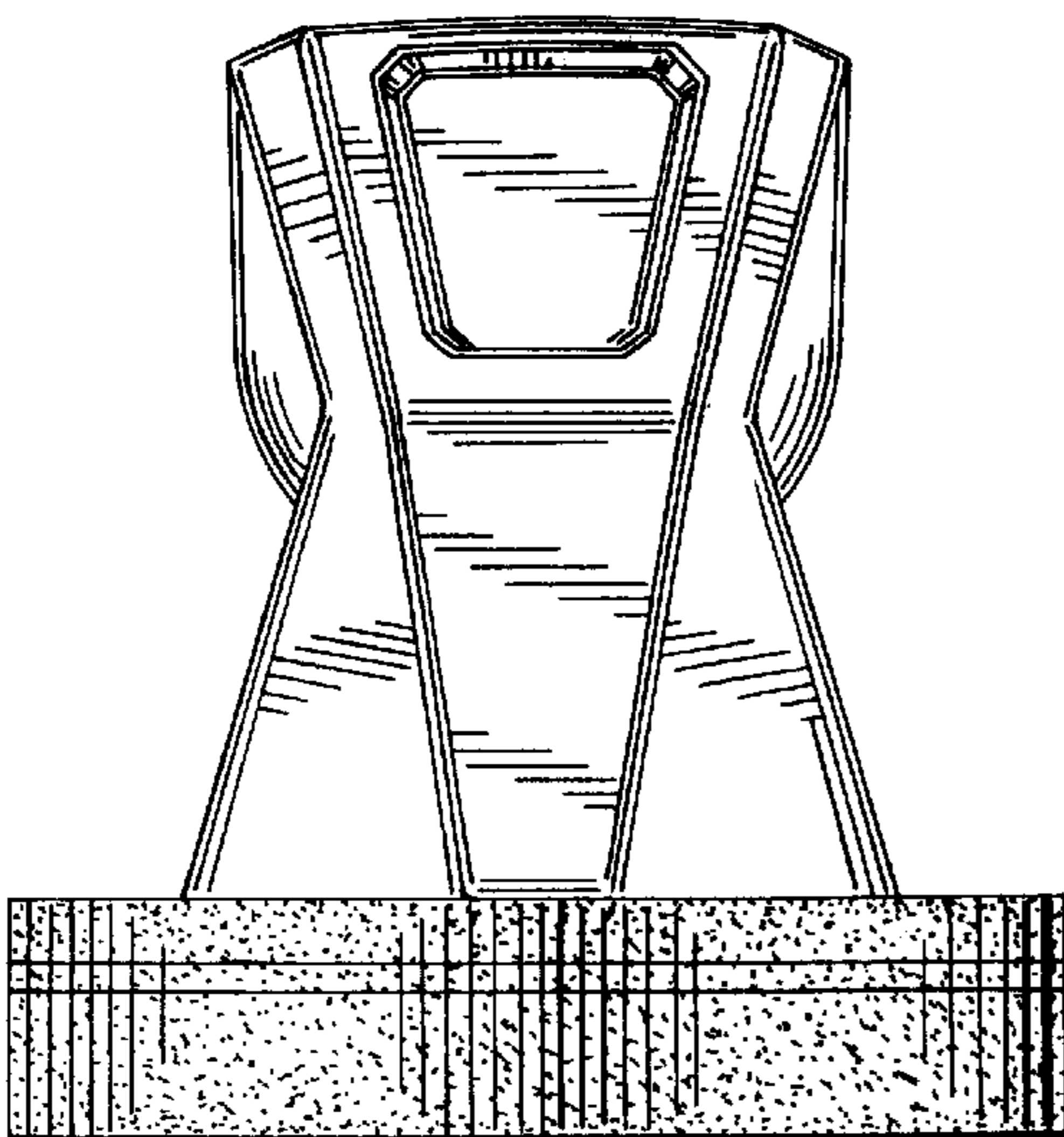


FIG. 6

