



US00D414003S

# United States Patent [19] Hering

[11] Patent Number: **Des. 414,003**

[45] Date of Patent: **\*\* Sep. 14, 1999**

[54] **PET BED**

[75] Inventor: **Hillary Hering**, Portland, Oreg.

[73] Assignee: **Caddis Manufacturing, Inc.**,  
McMinnville, Oreg.

[\*\*] Term: **14 Years**

[21] Appl. No.: **29/088,543**

[22] Filed: **May 27, 1998**

[51] **LOC (6) Cl.** ..... **30-06**

[52] **U.S. Cl.** ..... **D30/118**

[58] **Field of Search** ..... D30/118, 108,  
D30/112, 117; 119/28.5, 161-170, 496,  
482; D6/333, 388

[56] **References Cited**

**U.S. PATENT DOCUMENTS**

D. 309,200	7/1990	McMahon	.....	D30/118
D. 351,687	10/1994	McMahon	.....	D30/118
D. 353,494	12/1994	Berger	.....	D6/333
D. 366,368	1/1996	McCarthy	.....	D6/333
D. 375,557	11/1996	Dixon	.....	D30/118

D. 392,775	3/1998	McMahon	.....	D30/118
D. 396,332	7/1998	McMahon	.....	D30/118
2,238,982	4/1941	Norton	.....	119/28.5
5,197,411	3/1993	Schwarzenbart	.....	119/28.5
5,765,502	6/1998	Haugh	.....	119/28.5

*Primary Examiner*—Cathy Anne MacCormac  
*Attorney, Agent, or Firm*—Chernoff, Vilhauer, McClung & Stenzel, LLP

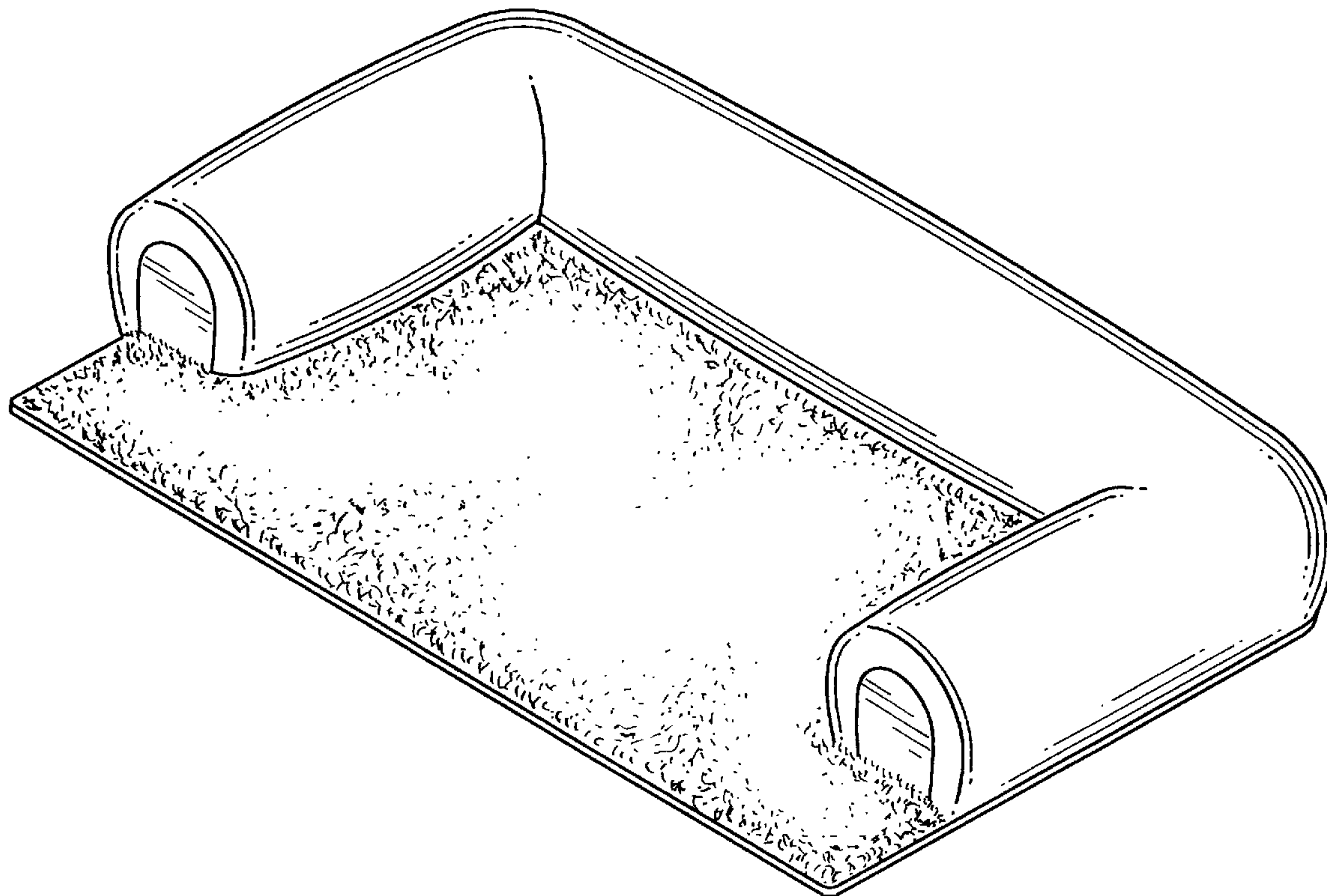
[57] **CLAIM**

The ornamental design for a pet bed, as shown and described.

**DESCRIPTION**

FIG. 1 is a perspective view of a pet bed showing my new design;  
FIG. 2 is a top plan view thereof;  
FIG. 3 is a front elevational view thereof;  
FIG. 4 is a rear elevational view thereof; and,  
FIG. 5 is a side elevational view thereof, the opposite side elevational view being a mere image thereof.  
The bottom of the design is plain and unornamented.

**1 Claim, 2 Drawing Sheets**



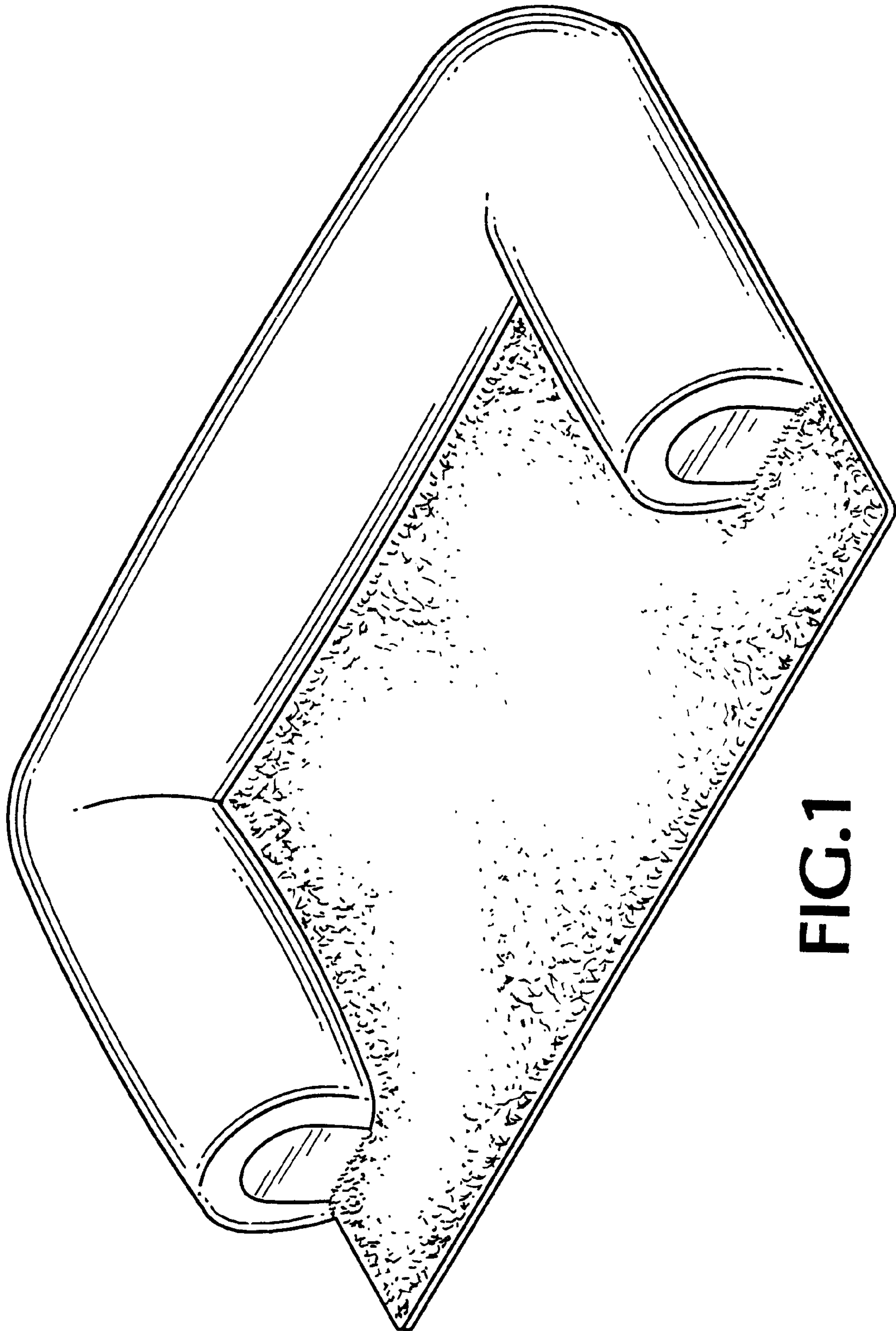


FIG.1

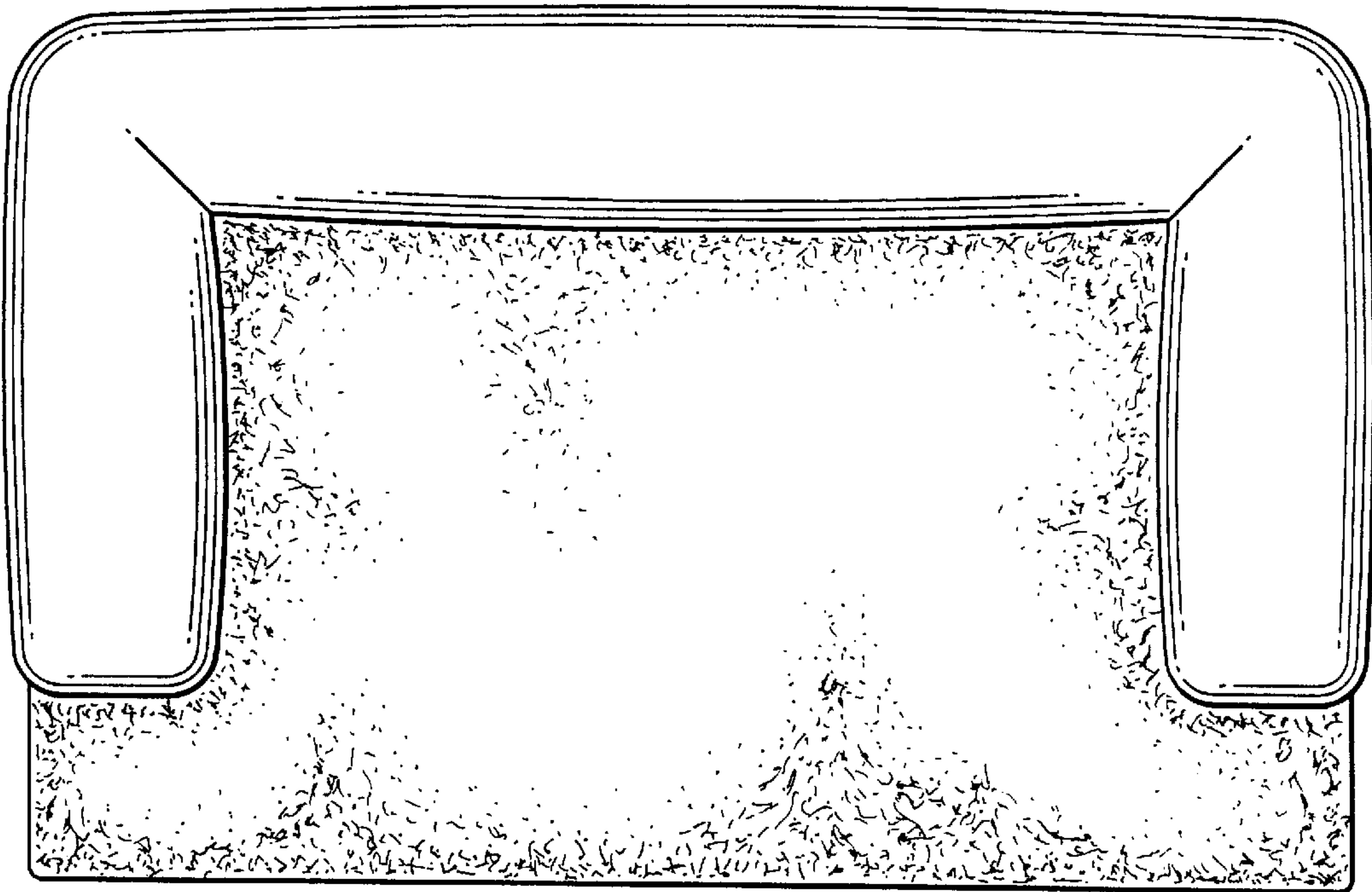


FIG. 2

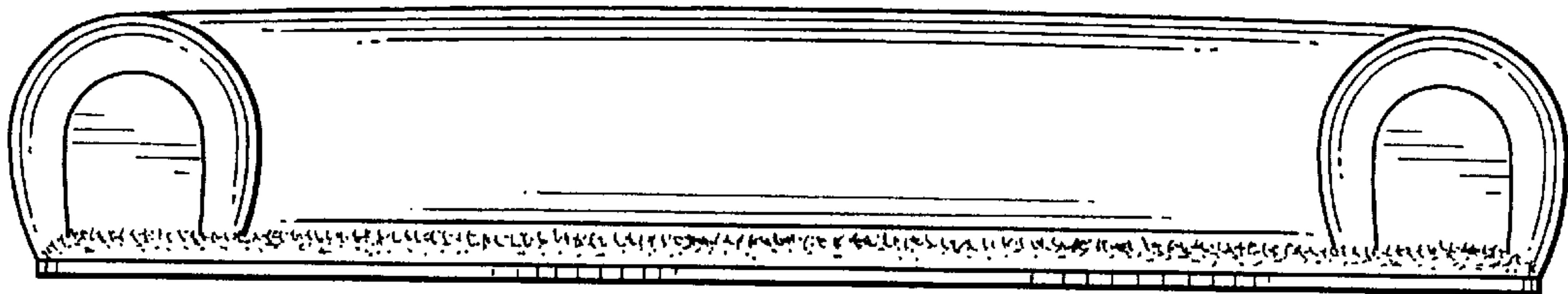


FIG. 3

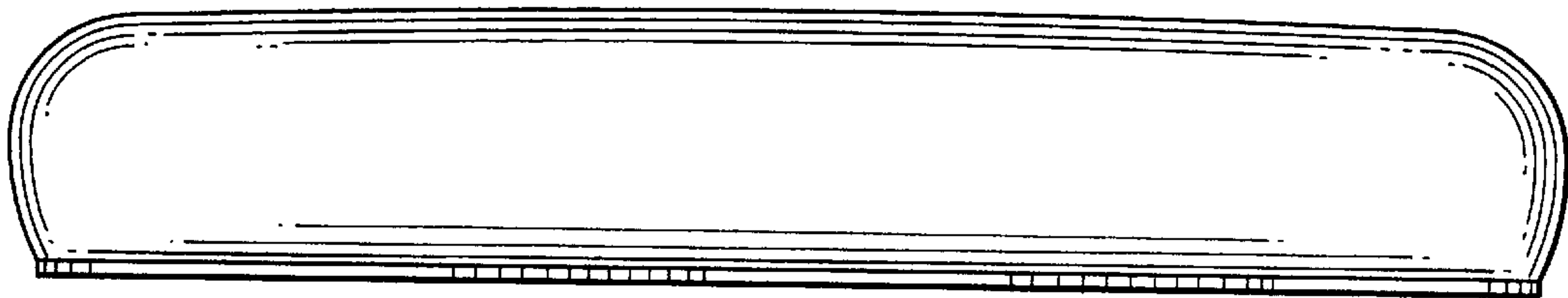


FIG. 4

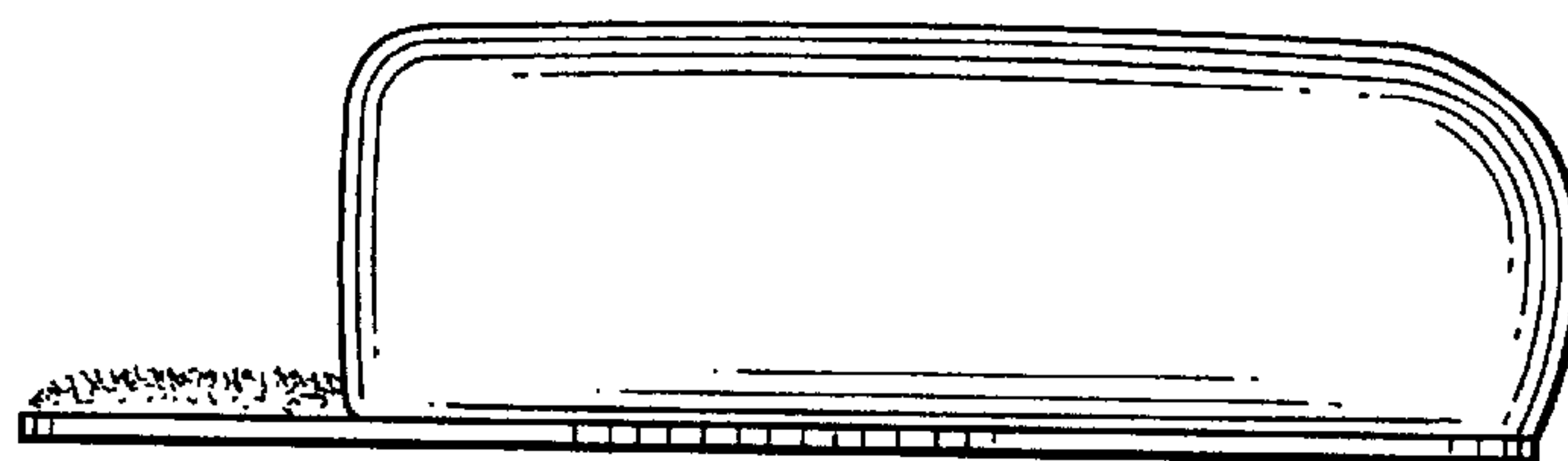


FIG. 5