



US00D414001S

# United States Patent [19]

Crotte et al.

[11] Patent Number: Des. 414,001

[45] Date of Patent: \*\* Sep. 14, 1999

[54] HAIR BRUSH STAND

[75] Inventors: Draven Crotte; Deneen Cullum; Antonio P. Piña, all of El Paso, Tex.

[73] Assignee: Helen of Troy, L.P., El Paso, Tex.

[\*\*] Term: 14 Years

[21] Appl. No.: 29/083,470

[22] Filed: Feb. 2, 1998

[51] LOC (6) Cl. .... 28-03

[52] U.S. Cl. .... D28/73; D28/74; D3/901; D6/525; D19/77

[58] Field of Search ..... D28/73-75; D3/205, D3/304, 307-314, 901; D6/551, 534, 526-528, 512, 475-6, 467, 455-457; D7/501, 637, 641; 206/209, 214, 581, 349, 362, 362.3, 372, 373; 211/60.1, 65, 70.1, 70.3, 70.6, 70.7, 131.1, 70; 220/574, 575, 576; D27/128, 134, 135, 180, 181

[56] References Cited

U.S. PATENT DOCUMENTS

D. 178,168	7/1956	Buskirk	.....	D28/73
D. 301,422	6/1989	Schmidt	.....	D6/512
D. 312,182	11/1990	Ritchie	.....	D6/528
D. 354,989	1/1995	West	.....	D19/85
D. 364,291	11/1995	Wheeler	.....	D6/475
4,972,947	11/1990	McCarthy	.....	206/214
5,379,885	1/1995	Chen	.....	206/338 X

FOREIGN PATENT DOCUMENTS

65862	11/1947	Denmark	.....	211/70.3
29147	12/1909	United Kingdom	.....	211/65

OTHER PUBLICATIONS

Hong Kong Enterprise Jun. 1991, p. 405: item No. K179.

Primary Examiner—Ted Shooman

Assistant Examiner—C. Tuttle

Attorney, Agent, or Firm—John E. Toupal; Harold G. Jarcho

[57] CLAIM

The ornamental design for a hair brush stand, as shown and described.

DESCRIPTION

FIG. 1 is a front left perspective view of a hair brush stand showing our new design;

FIG. 2 is a right rear perspective view thereof;

FIG. 3 is a side view thereof; front, rear, left and right side views are identical;

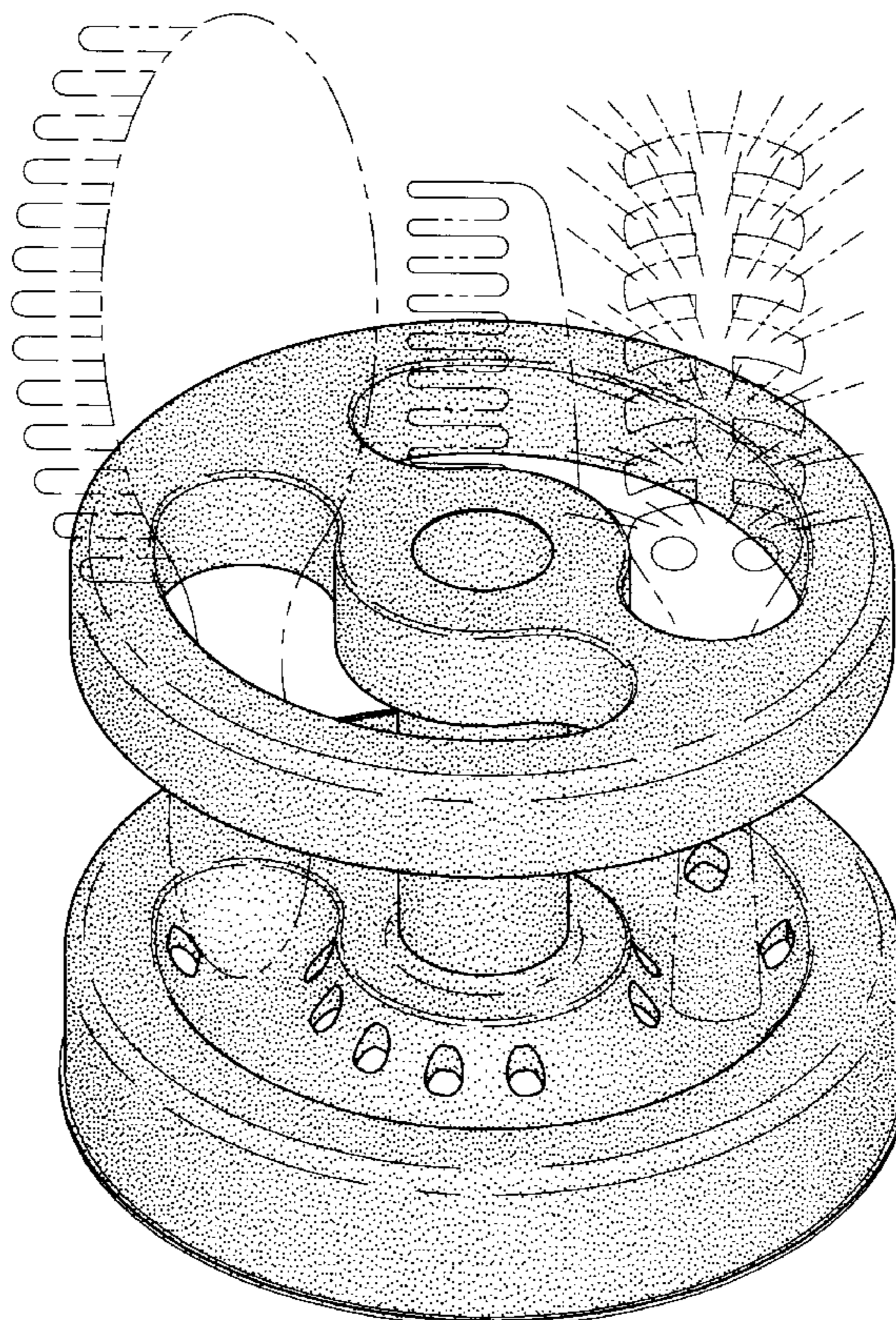
FIG. 4 is a top plan view thereof; and,

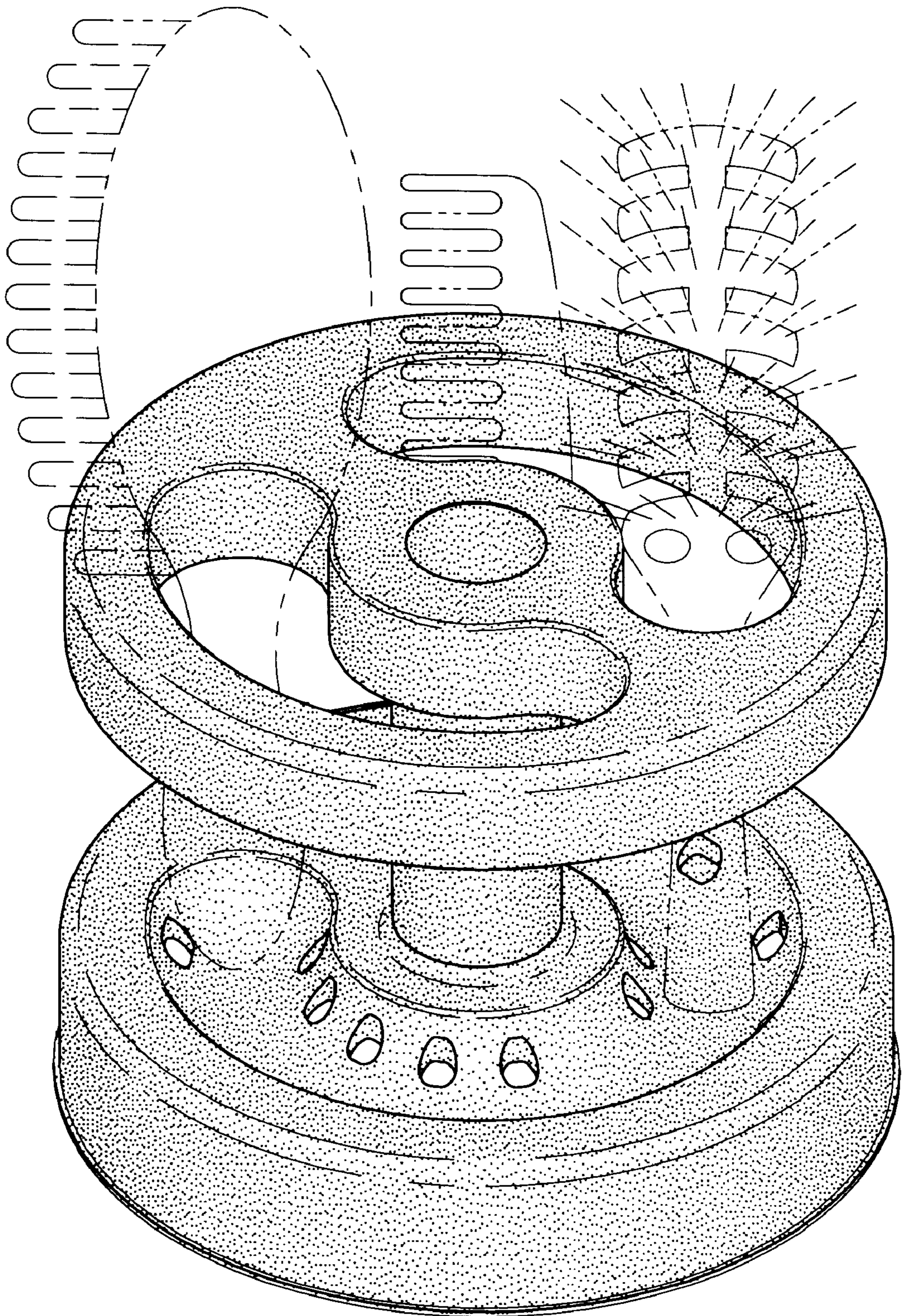
FIG. 5 is a bottom plan view thereof.

The broken line showing of the brushes and comb is for illustrative purposes only and forms no part of the claimed design.

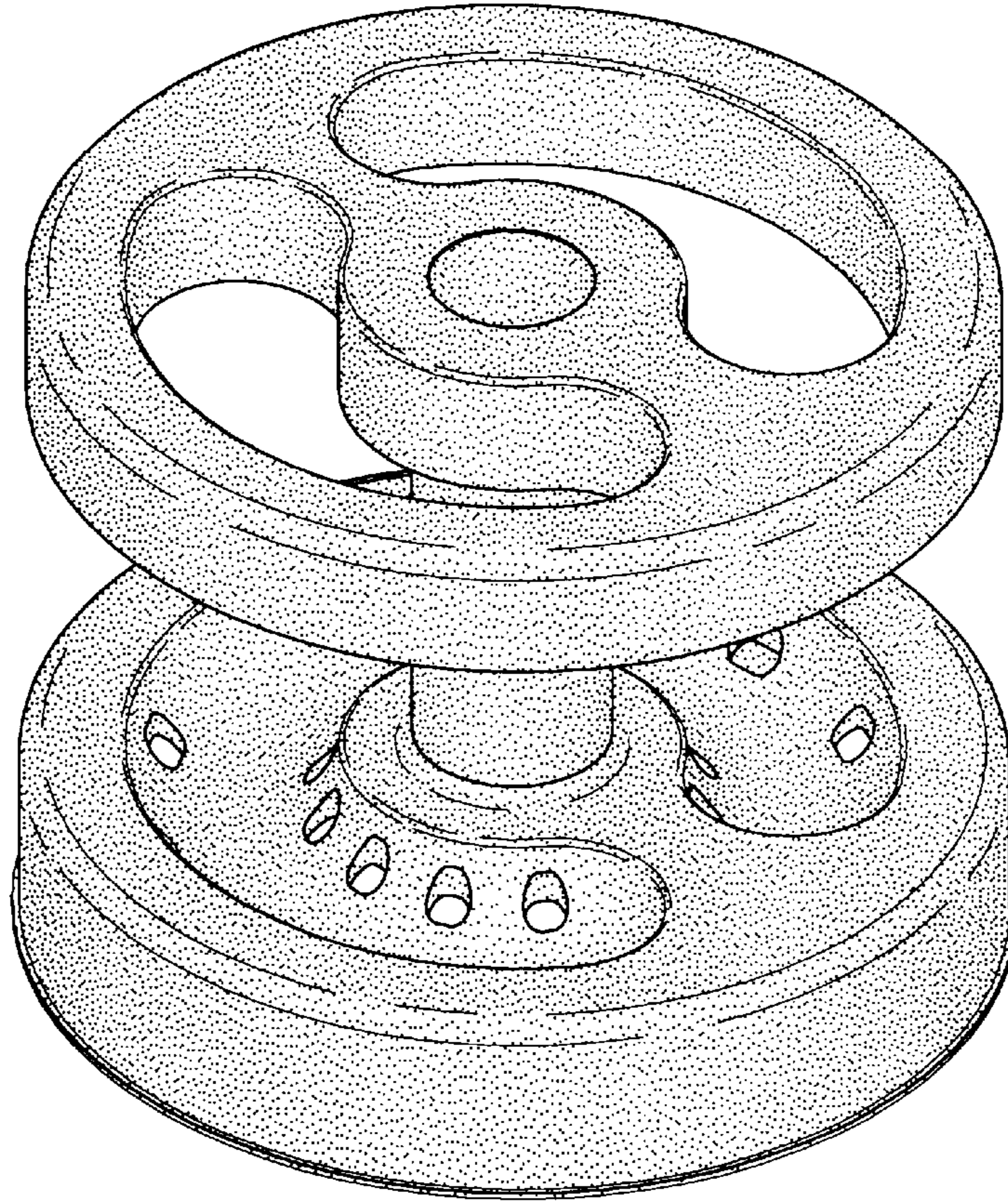
The surface of the article not shown in the drawing or described in the specification forms no part of the claimed design.

1 Claim, 3 Drawing Sheets

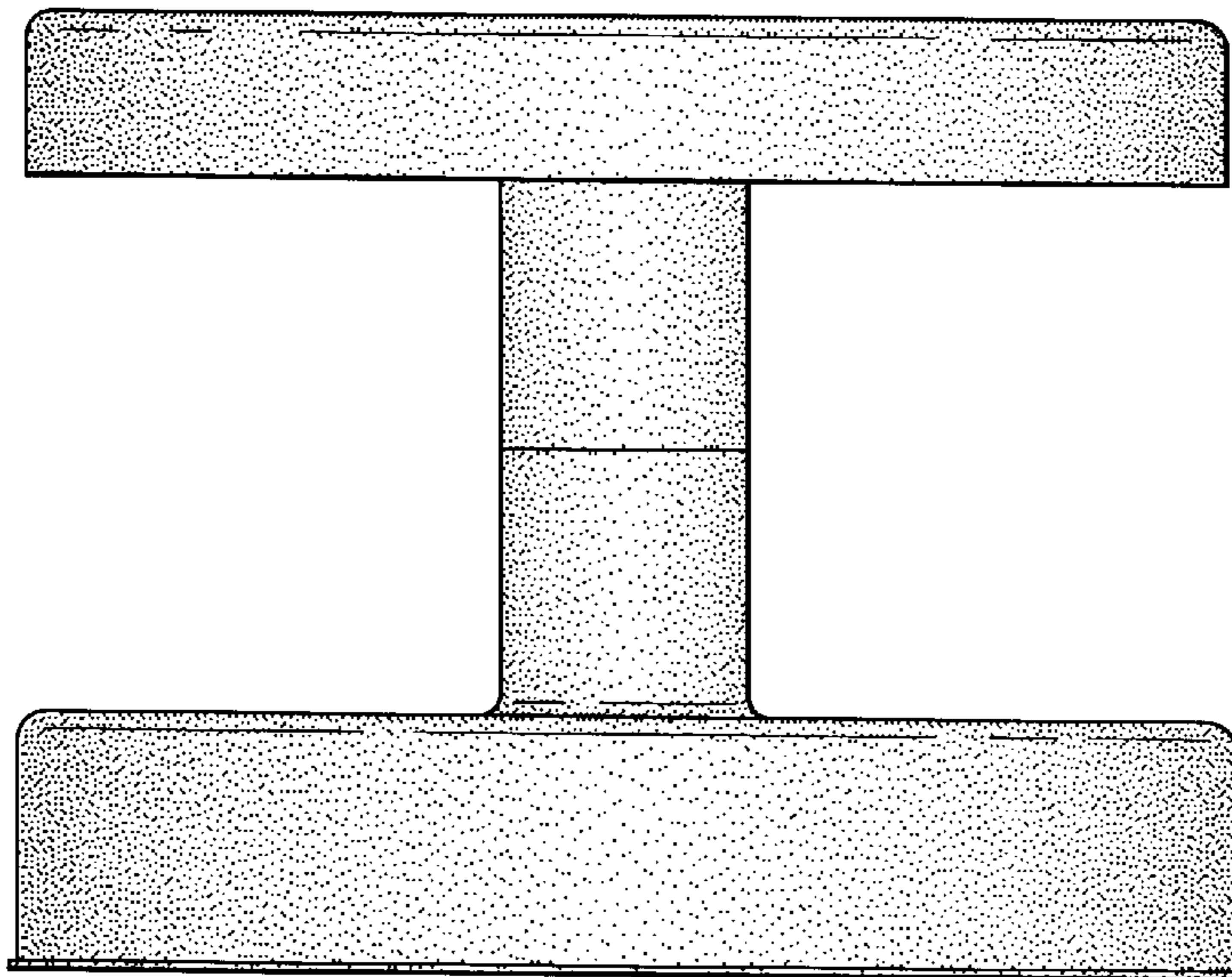




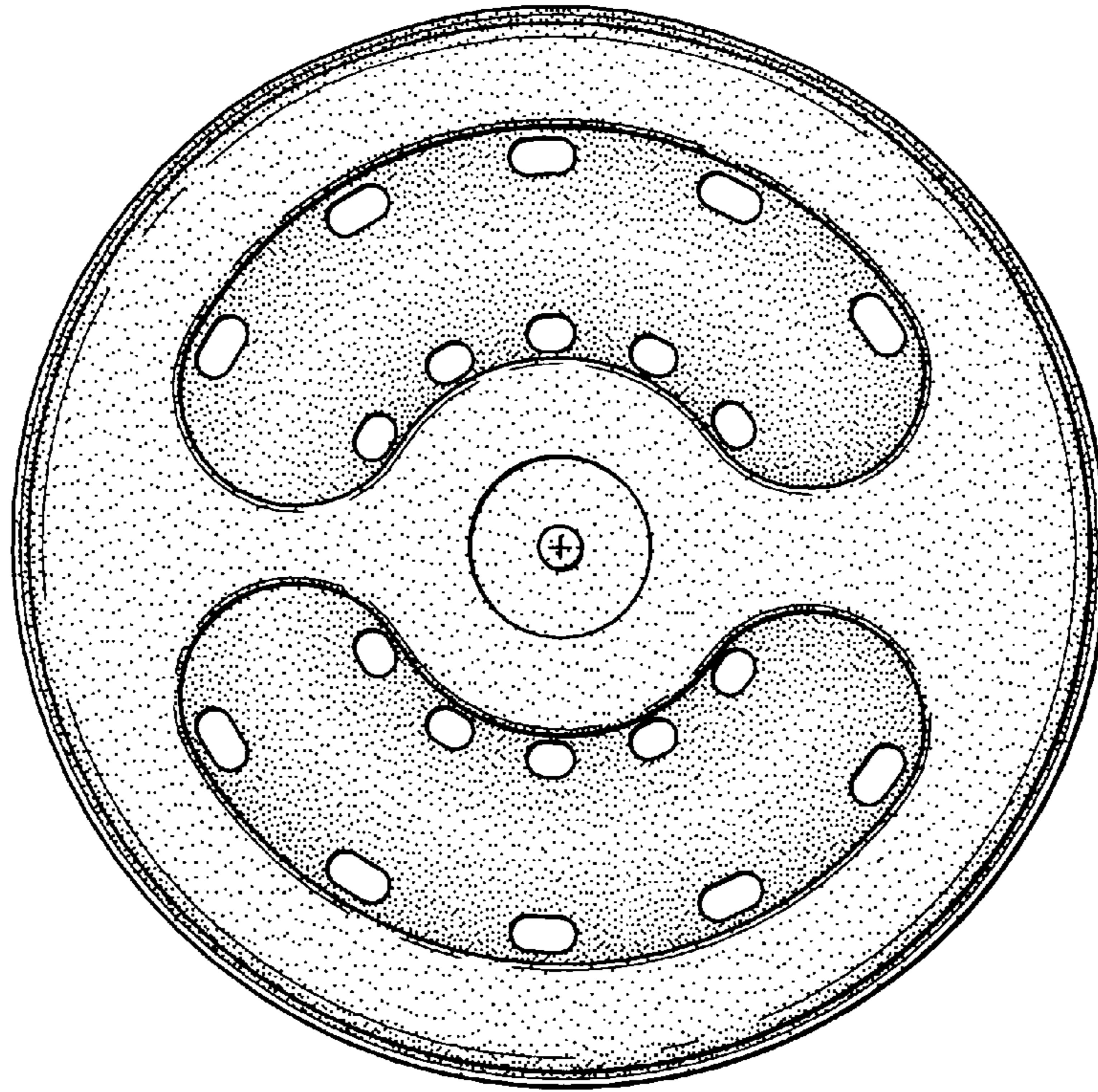
**FIG. 1**



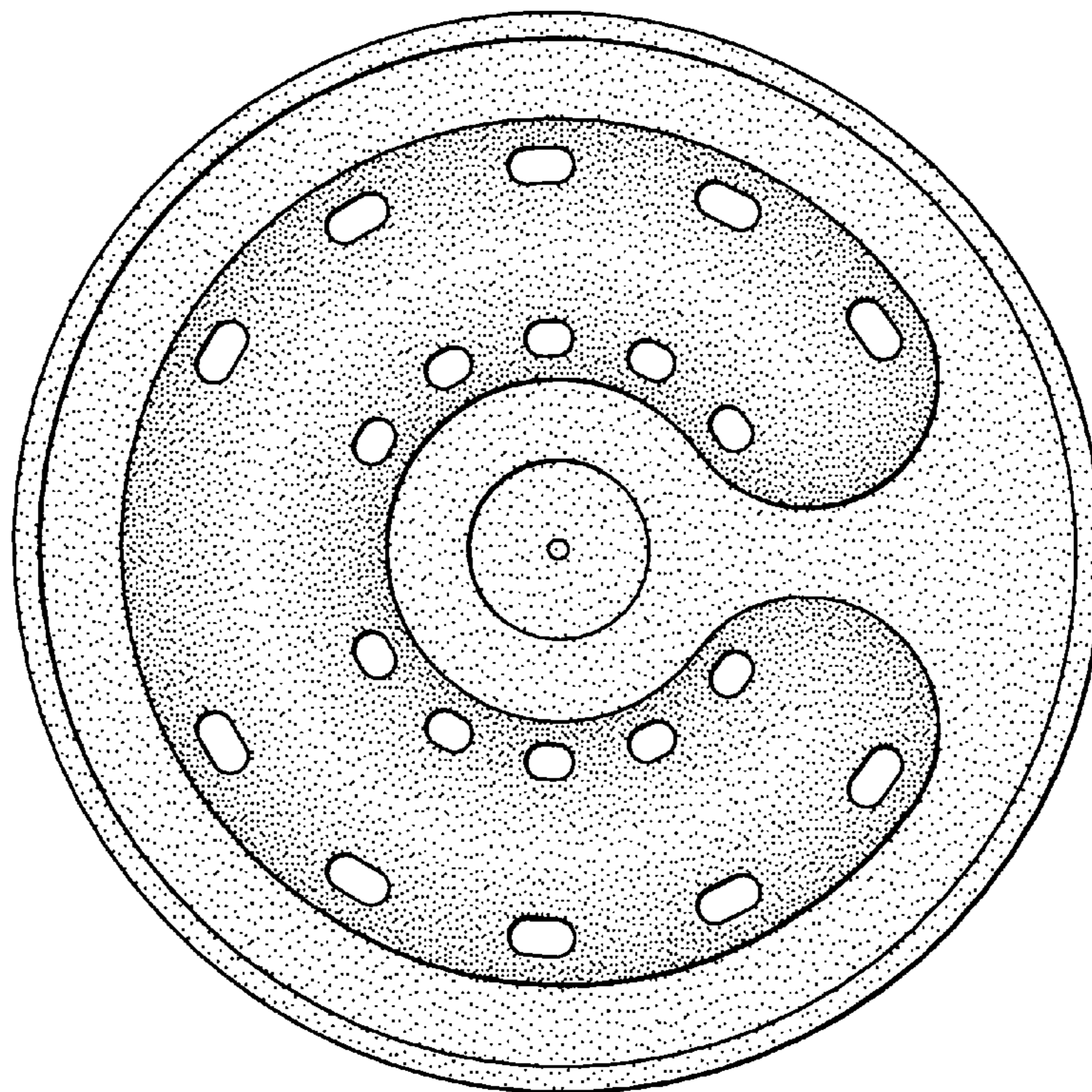
**FIG. 2**



**FIG. 3**



**FIG. 4**



**FIG. 5**