



US00D414000S

United States Patent [19]
Phillips

[11] **Patent Number: Des. 414,000**

[45] **Date of Patent: ** Sep. 14, 1999**

[54] **TABLE LAMP BASE**

[75] Inventor: **Todd Phillips**, Charleston, S.C.

[73] Assignee: **Quoizel, Inc.**, Goose Creek, S.C.

[**] Term: **14 Years**

[21] Appl. No.: **29/081,878**

[22] Filed: **Jan. 9, 1998**

[51] **LOC (6) Cl.** **26-99**

[52] **U.S. Cl.** **D26/142; D26/65**

[58] **Field of Search** D26/93, 102-112,
D26/142, 61, 62, 63, 65; 362/410-414,
269, 275, 287, 418, 419, 427

[56] **References Cited**

U.S. PATENT DOCUMENTS

D. 82,483 11/1930 Collins D26/110

OTHER PUBLICATIONS

Home Lighting and Accessories, p. 46, Quoizel table lamp, Apr. 1996.

Karol Thomas, Piano & Desk Lights catalog. p. 1, desk lamp #P14-215-62, Feb. 1991.

Quoizel, Inc. 1995 Catalog, pp. 55, 56 and 59.

Primary Examiner—Susan J. Lucas
Attorney, Agent, or Firm—Gallagher & Kennedy

[57] **CLAIM**

The ornamental design for a table lamp base, as shown and described.

DESCRIPTION

FIG. 1 is a perspective view of the lamp base showing my new design.

FIG. 2 is a right side elevation view of the base of FIG. 1 on a reduced scale.

FIG. 3 is a front elevation view of the base of FIG. 1 on a reduced scale.

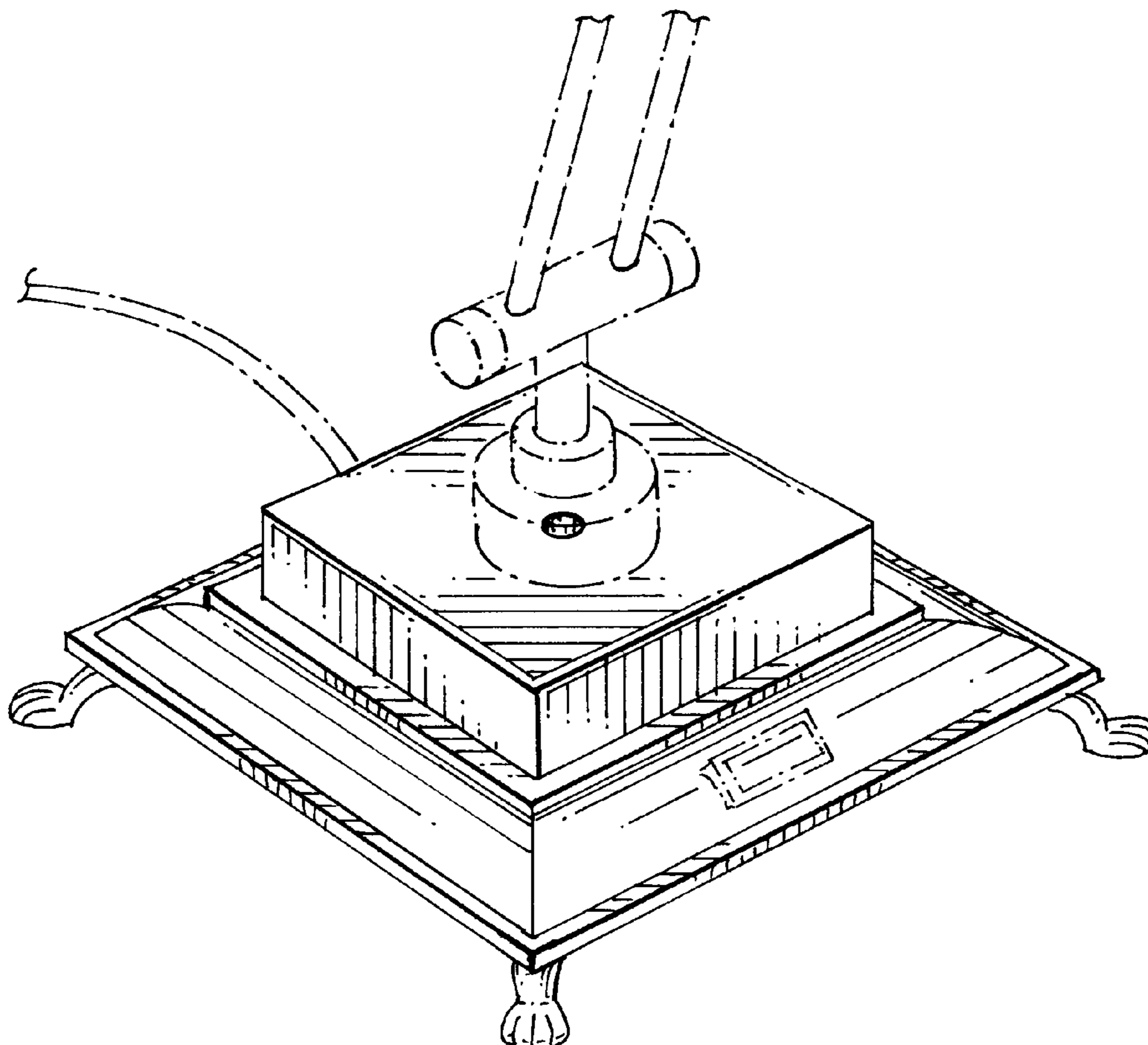
FIG. 4 is a rear elevation view of the base of FIG. 1 on a reduced scale.

FIG. 5 is a top plan view of the base of FIG. 1; and,

FIG. 6 is a bottom plan view of the base of FIG. 1.

Features shown in broken lines are shown for environment and form no part of the claimed design. The appearance of the left side of the lamp base is the same as the right side shown in FIG. 2 and is not separately shown in the drawings. The bottom of the lamp base is without ornamentation and forms no part of the claimed design.

1 Claim, 1 Drawing Sheet



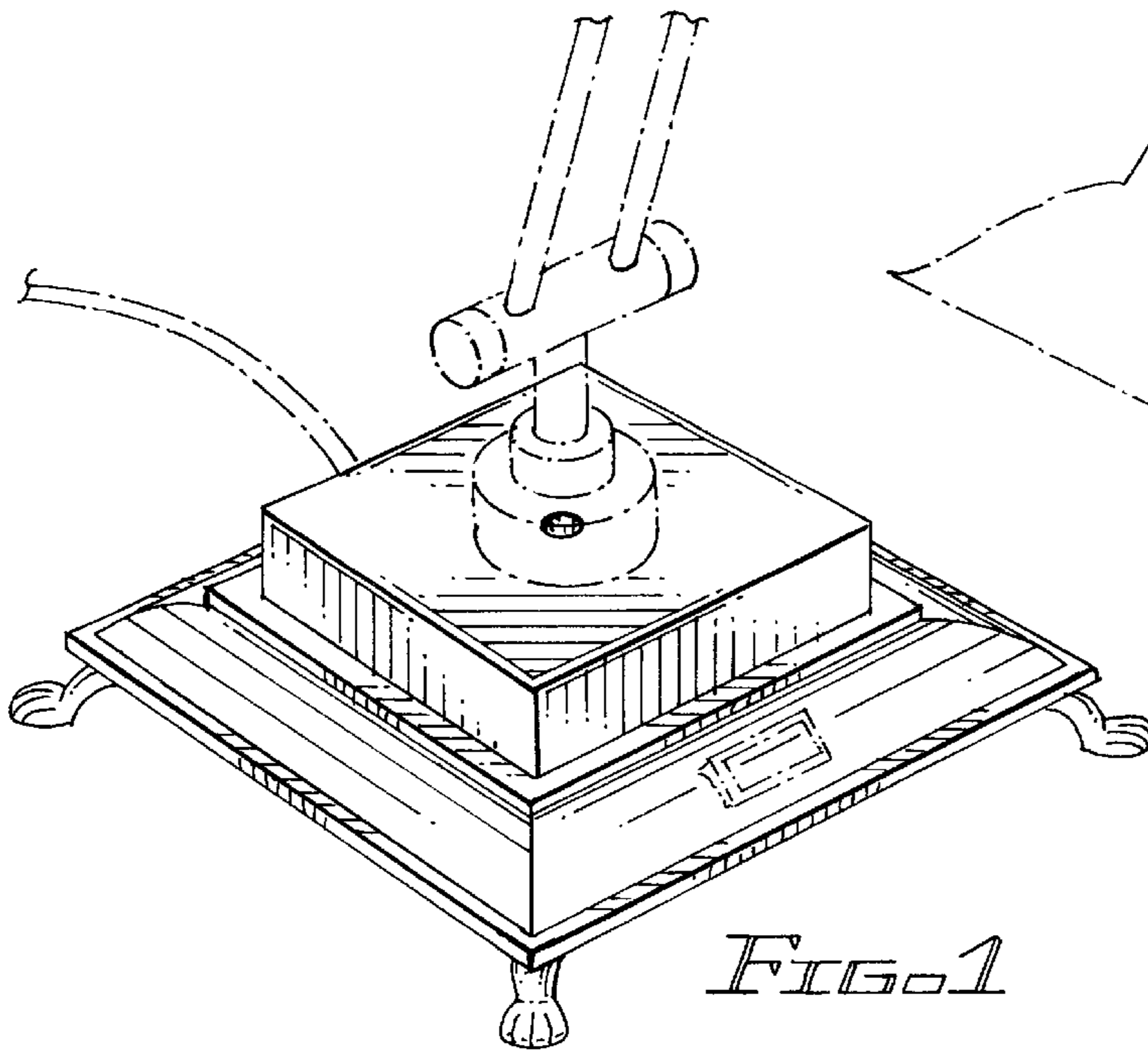


FIG. 1

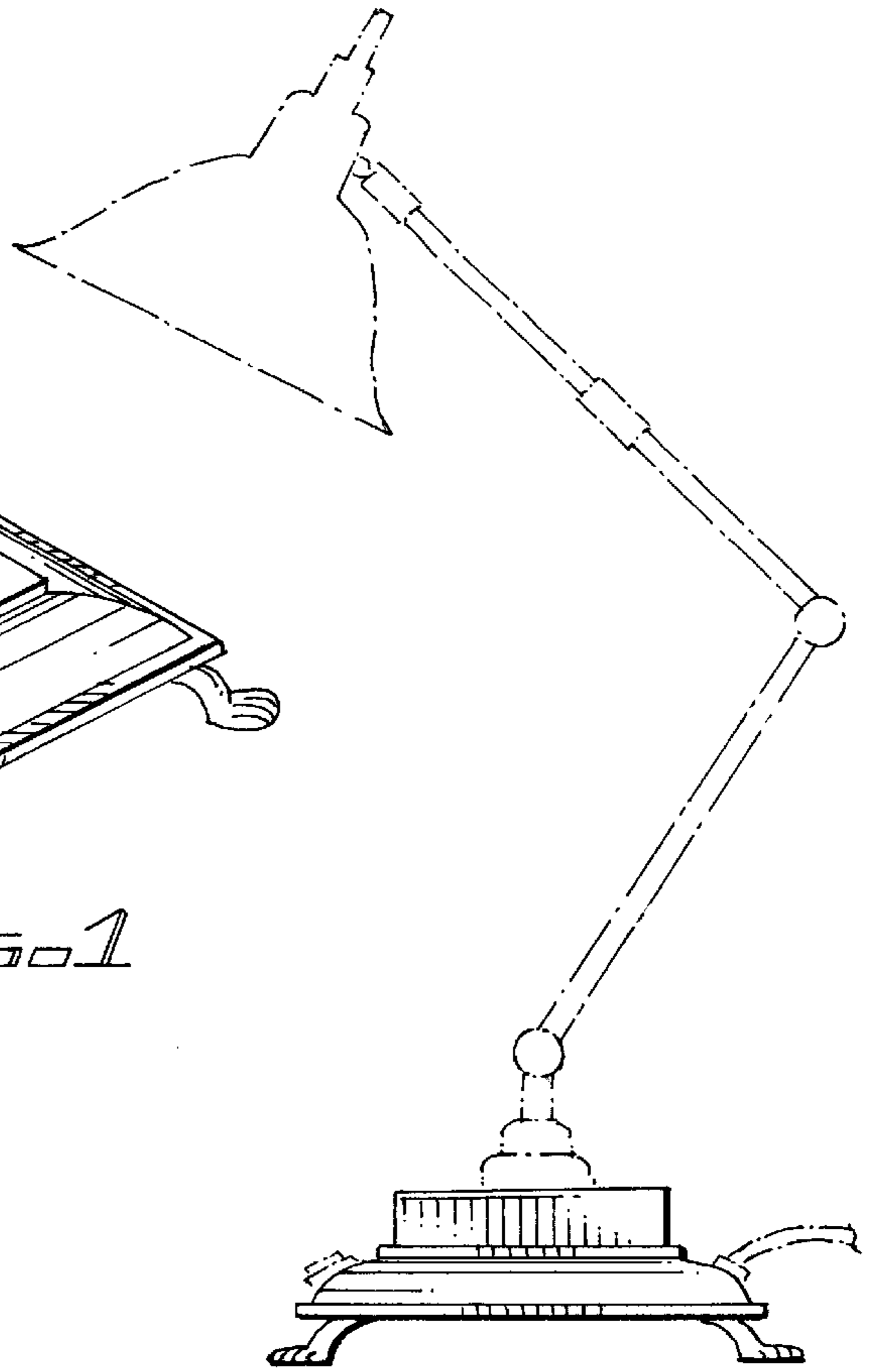


FIG. 2

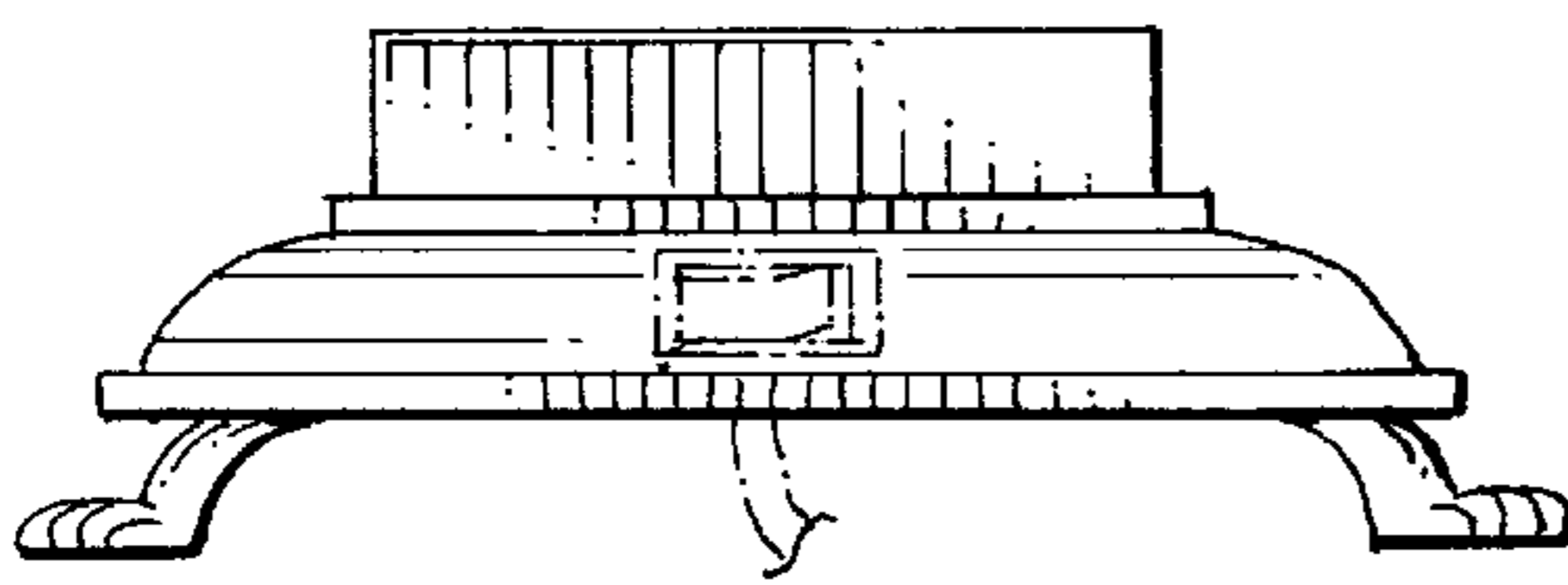


FIG. 3

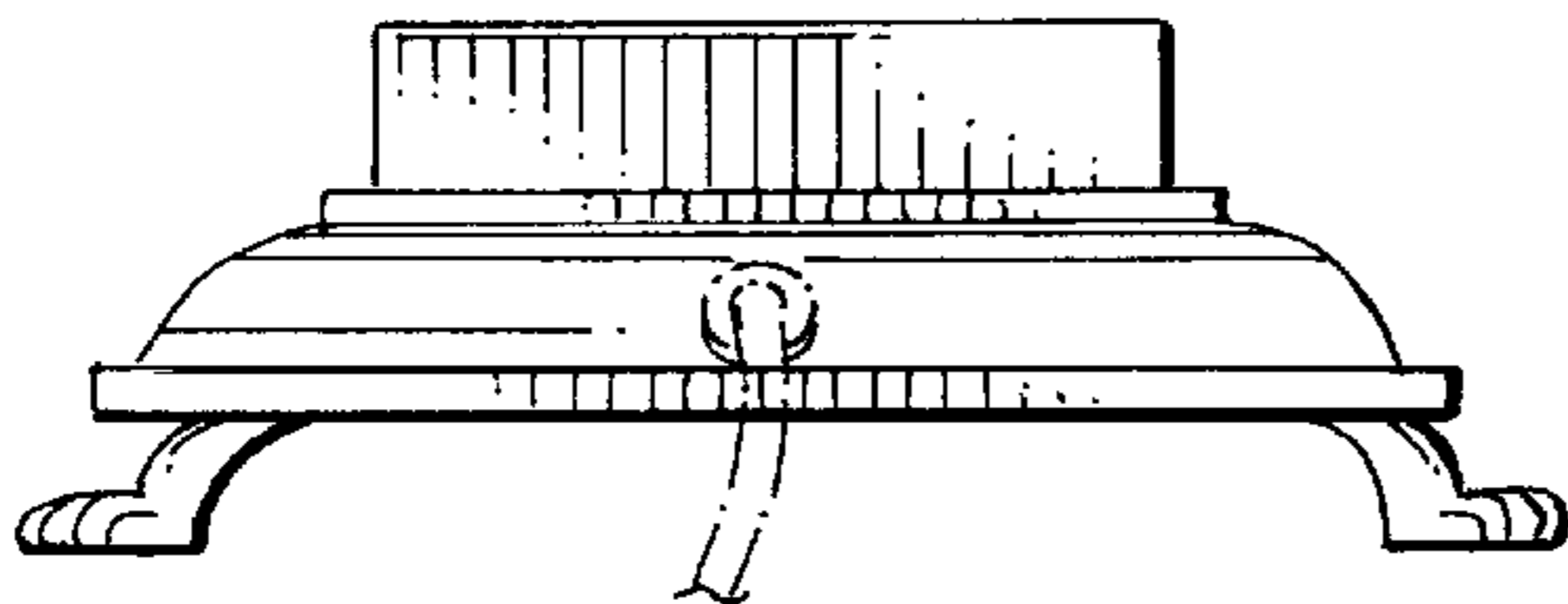


FIG. 4

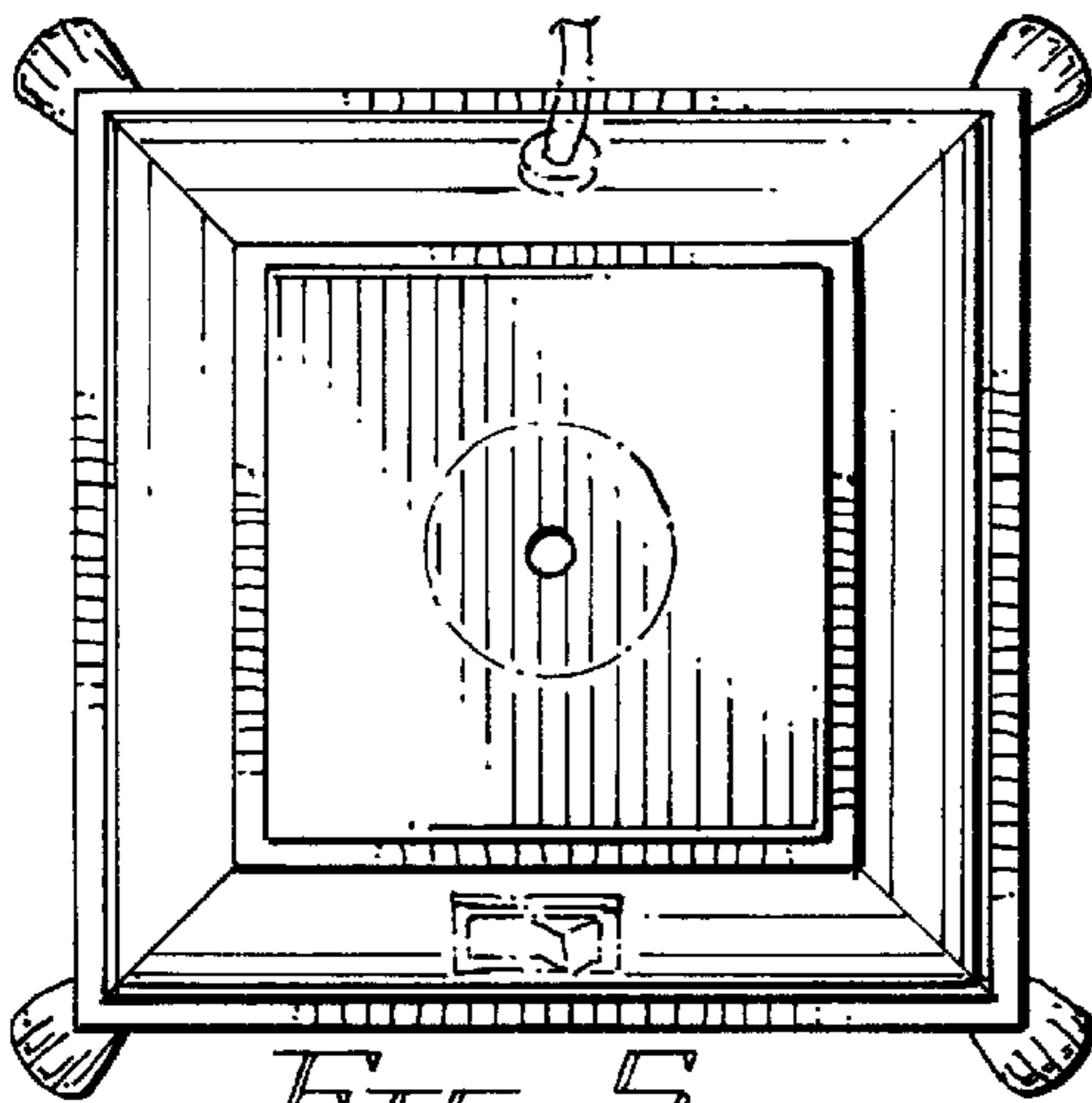


FIG. 5

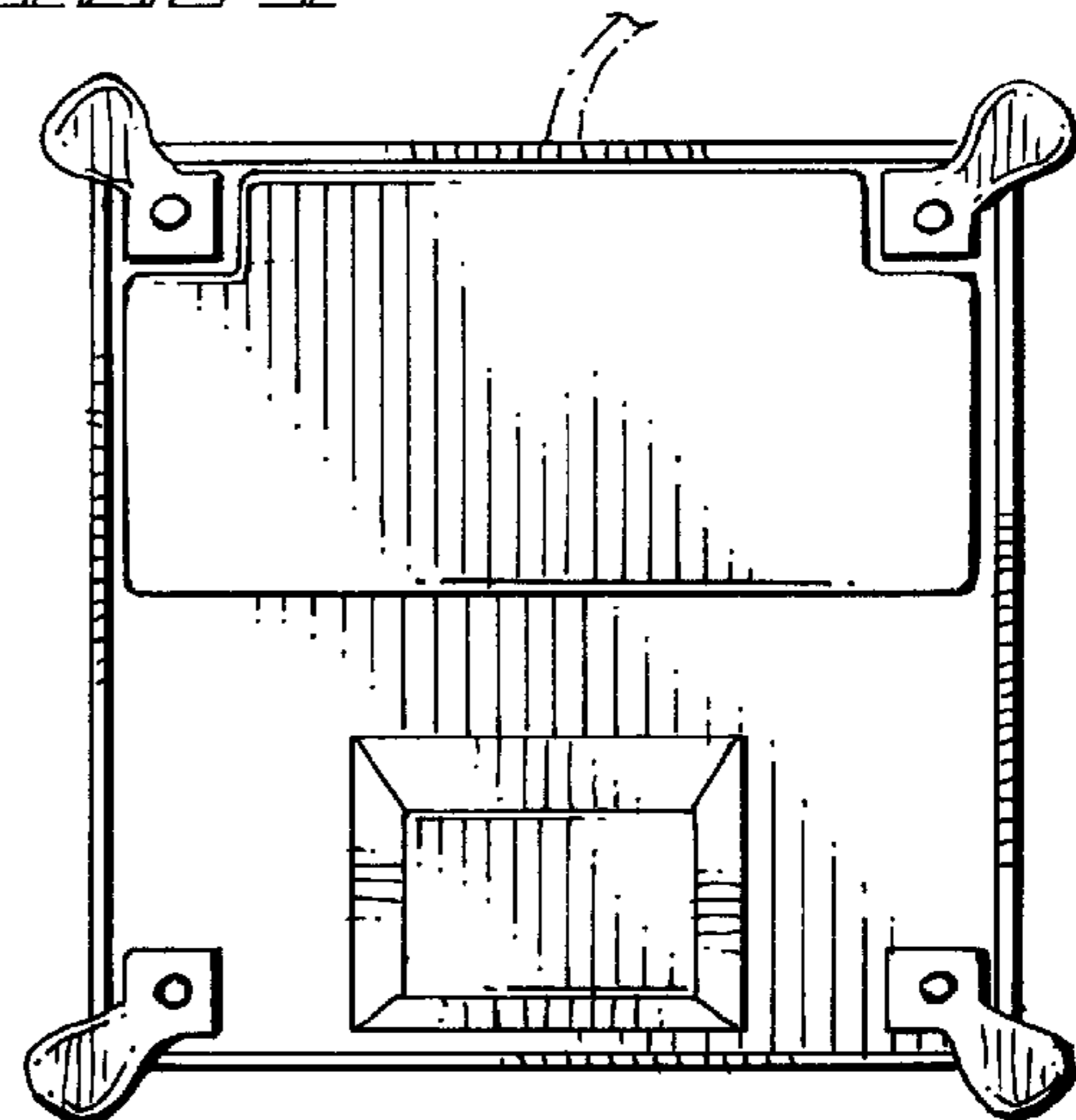


FIG. 6