



US00D413998S

United States Patent [19] Littman

[11] **Patent Number: Des. 413,998**

[45] **Date of Patent: ** Sep. 14, 1999**

[54] **LIGHTING FIXTURE**

[75] Inventor: **Sandra E. Littman**, New York, N.Y.

[73] Assignee: **Sandy Littman, Inc.**, New York, N.Y.

[**] Term: **14 Years**

[21] Appl. No.: **29/095,041**

[22] Filed: **Oct. 15, 1998**

D. 124,182	12/1940	McCann	D26/87
D. 384,764	10/1997	Littman	D26/87
D. 388,213	12/1997	Littman et al.	D26/86
D. 403,097	12/1998	Littman	D26/87

Primary Examiner—Susan J. Lucas
Attorney, Agent, or Firm—Schweitzer Cornman Gross & Bondell LLP

Related U.S. Application Data

[62] Division of application No. 29/072,050, Jun. 12, 1997, Pat. No. Des. 403,097, which is a division of application No. 29/048,304, Dec. 26, 1995, Pat. No. Des. 384,764.

[51] **LOC (6) Cl.** **26-05**

[52] **U.S. Cl.** **D26/87; D26/76**

[58] **Field of Search** D26/72, 80-92,
D26/75, 76, 77, 78; 362/147, 404, 432,
217, 222, 223, 224, 225

[56] References Cited

U.S. PATENT DOCUMENTS

D. 109,854 5/1938 Stewart D26/76

[57] CLAIM

I claim the ornamental design of a lighting fixture, as shown and described.

DESCRIPTION

FIG. 1 is a front elevational view of my design for a new lighting fixture;

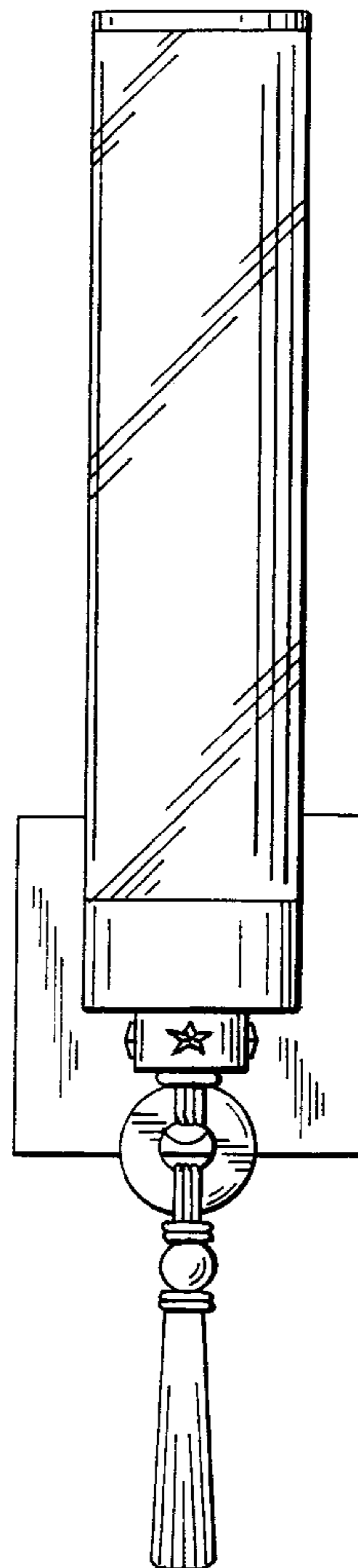
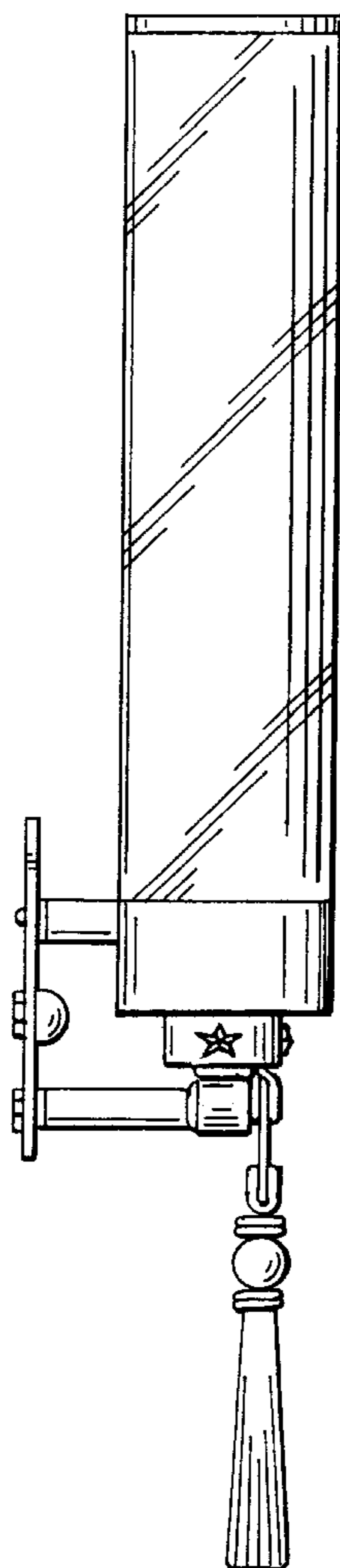
FIG. 2 is a side elevational view thereof, the opposite side being a mirror image;

FIG. 3 is a rear elevational view thereof;

FIG. 4 is a bottom view thereof; and,

FIG. 5 is a top plan view thereof.

1 Claim, 2 Drawing Sheets



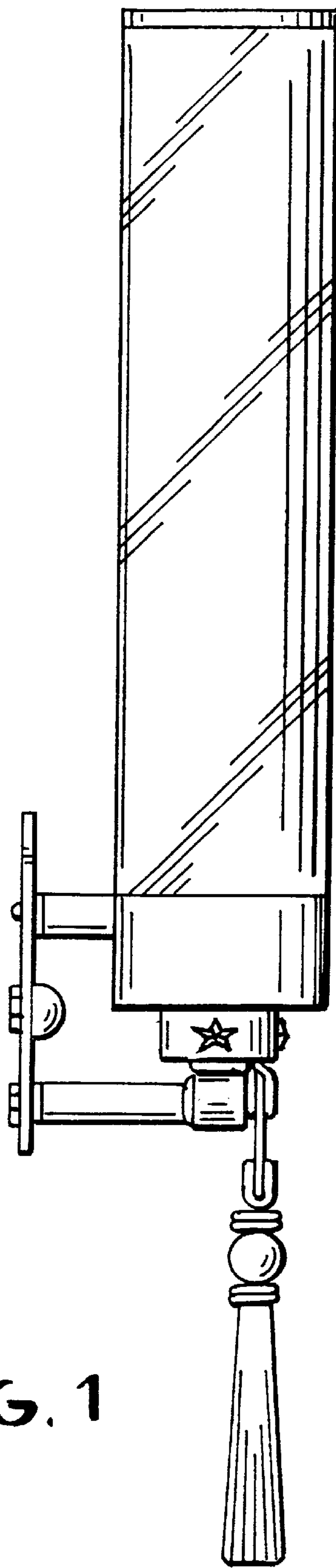


FIG. 1

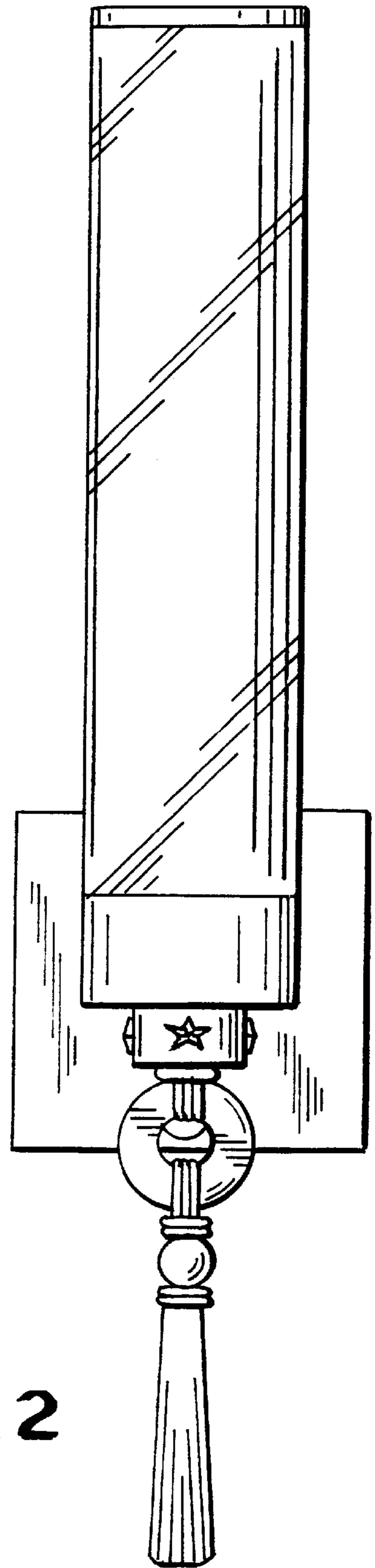


FIG. 2

FIG. 3

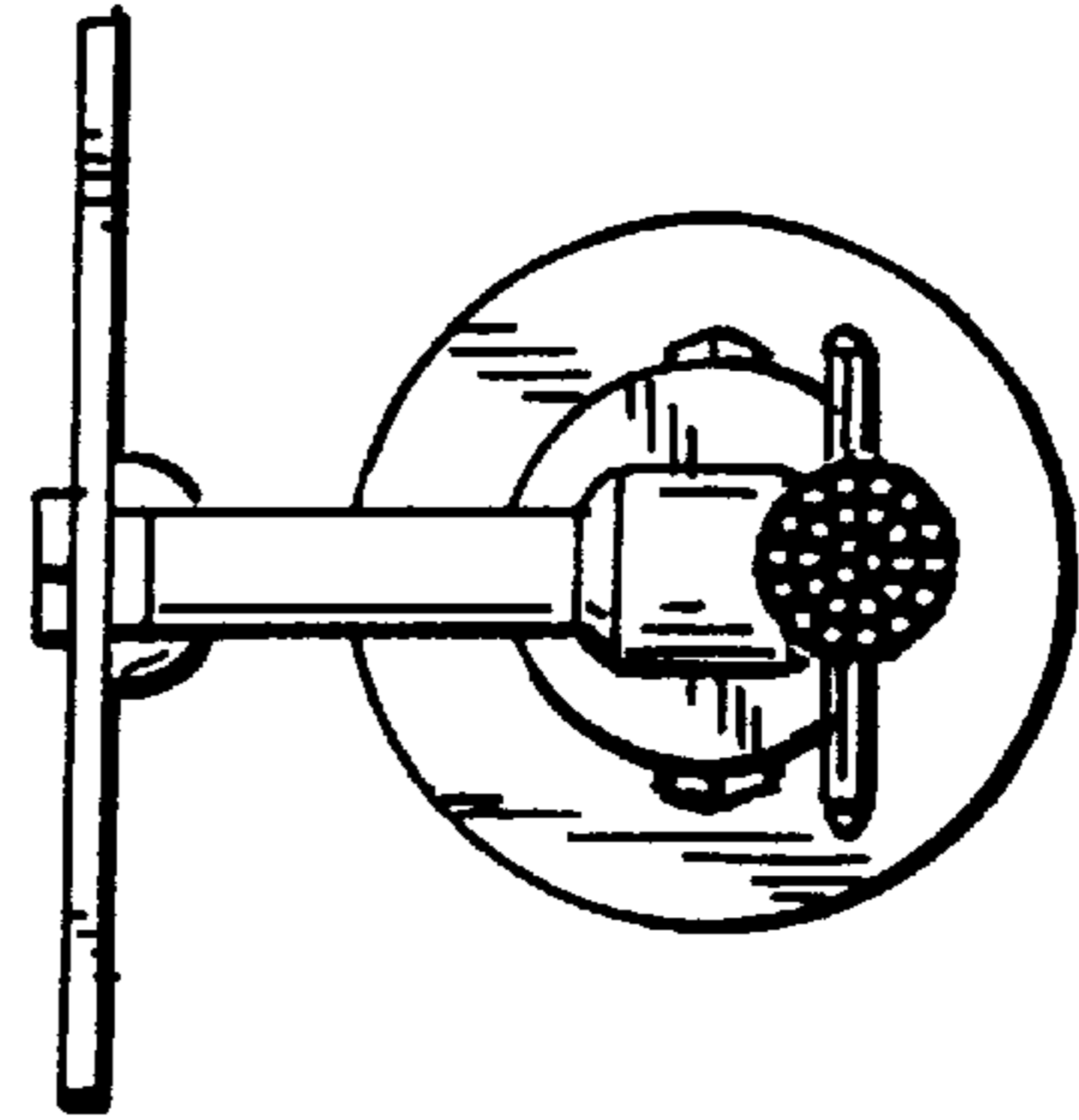
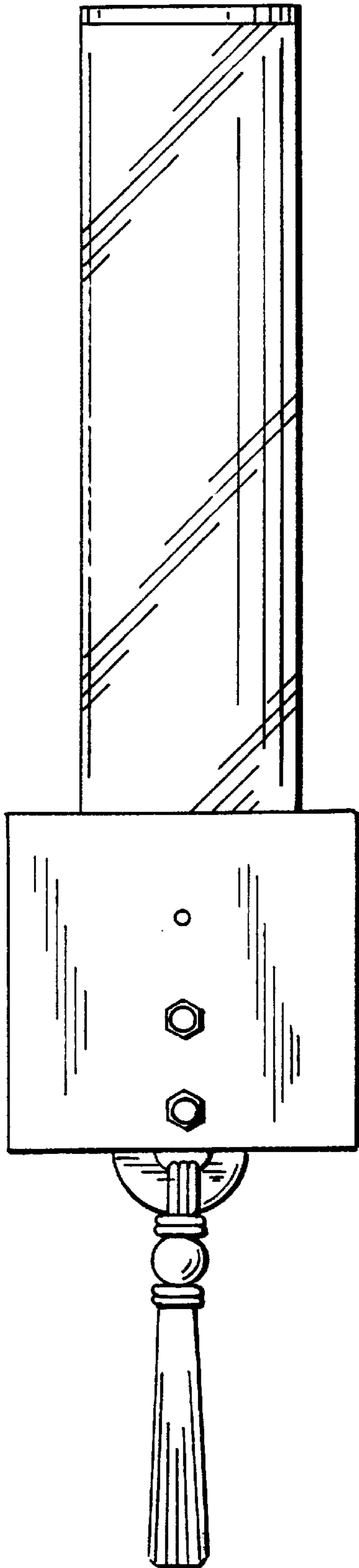


FIG. 4

FIG. 5

