



US00D413997S

United States Patent [19]

Jandrisits et al.

[11] Patent Number: Des. 413,997

[45] Date of Patent: ** Sep. 14, 1999

[54] TRIM FOR CEILING RECESSED LIGHTING FIXTURE

[75] Inventors: Alice M. Jandrisits, Schaumburg; Geoffrey Ling, North Barrington; James B. Lee, Schaumburg, all of Ill.

[73] Assignee: Cooper Industries, Inc., Houston, Tex.

[**] Term: 14 Years

[21] Appl. No.: 29/052,972

[22] Filed: Apr. 12, 1996

[51] LOC (6) Cl. 26-05

[52] U.S. Cl. D26/74; D26/118

[58] Field of Search D26/74, 113, 118; 362/147, 148, 277, 269, 364, 365, 366, 346

[56] References Cited

U.S. PATENT DOCUMENTS

2,913,570	11/1959	Gough et al.	362/346	X
2,922,030	1/1960	Bobrick	362/364	X
3,643,089	2/1972	Marantz	362/346	X

OTHER PUBLICATIONS

Home Lighting & Accessories, Jan. 1995, p. 63, Sigma Recessed Light Fixture #231.
Lightlier "Lytecaster" Downlighting Catalog, p. 16, Elbow Downlight #MR16.

Primary Examiner—Susan J. Lucas
Attorney, Agent, or Firm—Fish & Richardson P.C.

[57] CLAIM

The ornamental design for a trim for ceiling recessed lighting fixture, as shown and described.

DESCRIPTION

FIG. 1 is a rear elevational view showing a first embodiment of our new design;

FIG. 2 is a front elevational view of FIG. 1;

FIG. 3 is a right side elevational view of FIG. 1;

FIG. 4 is a left side elevational view of FIG. 1;

FIG. 5 is a top plan view of FIG. 1;

FIG. 6 is a bottom plan view of FIG. 1 with a lamp disposed in the trim;

FIG. 7 is a rear elevational view showing a second embodiment of our new design;

FIG. 8 is a front elevational view of FIG. 7;

FIG. 9 is a right side elevational view of FIG. 7;

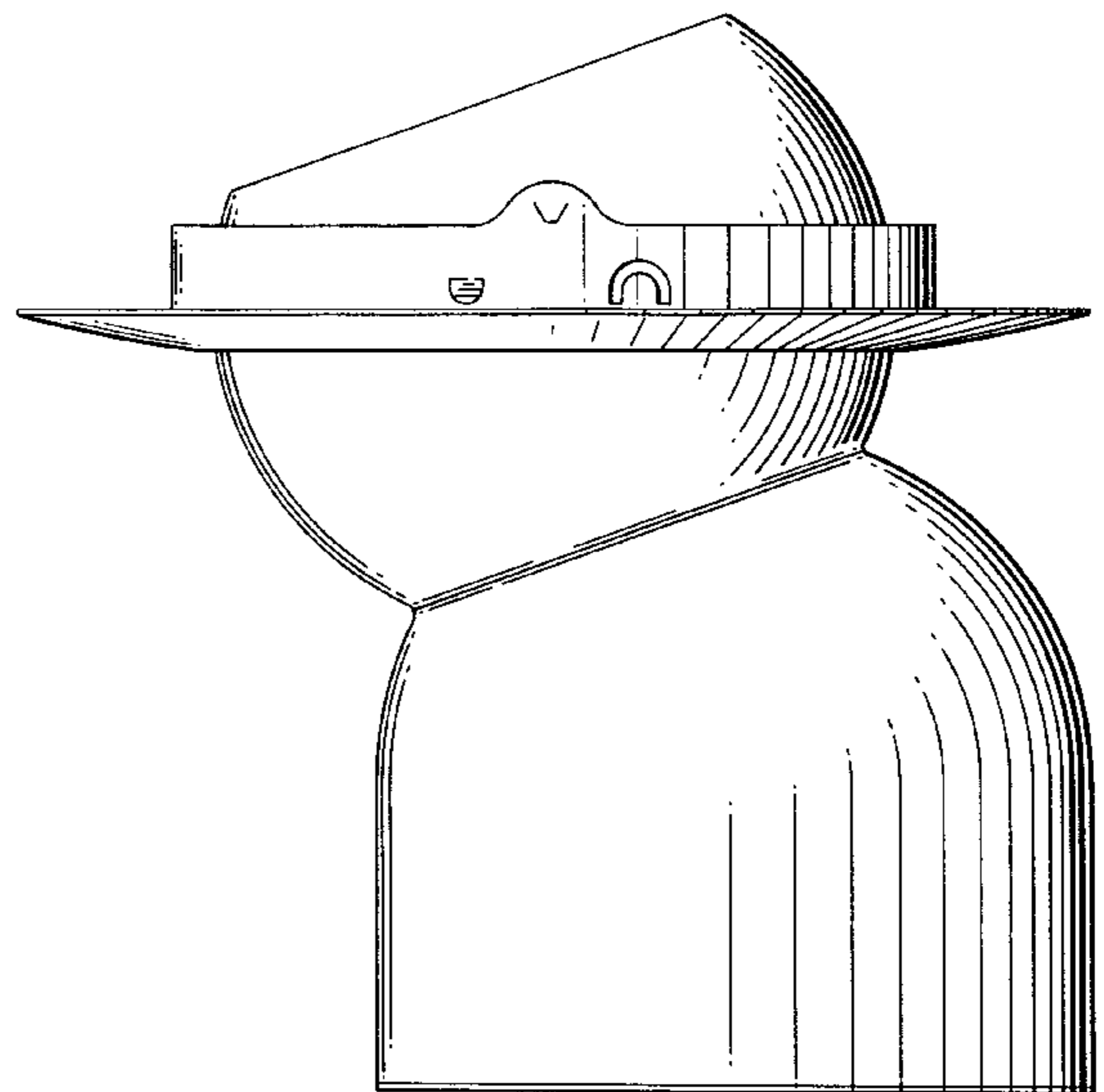
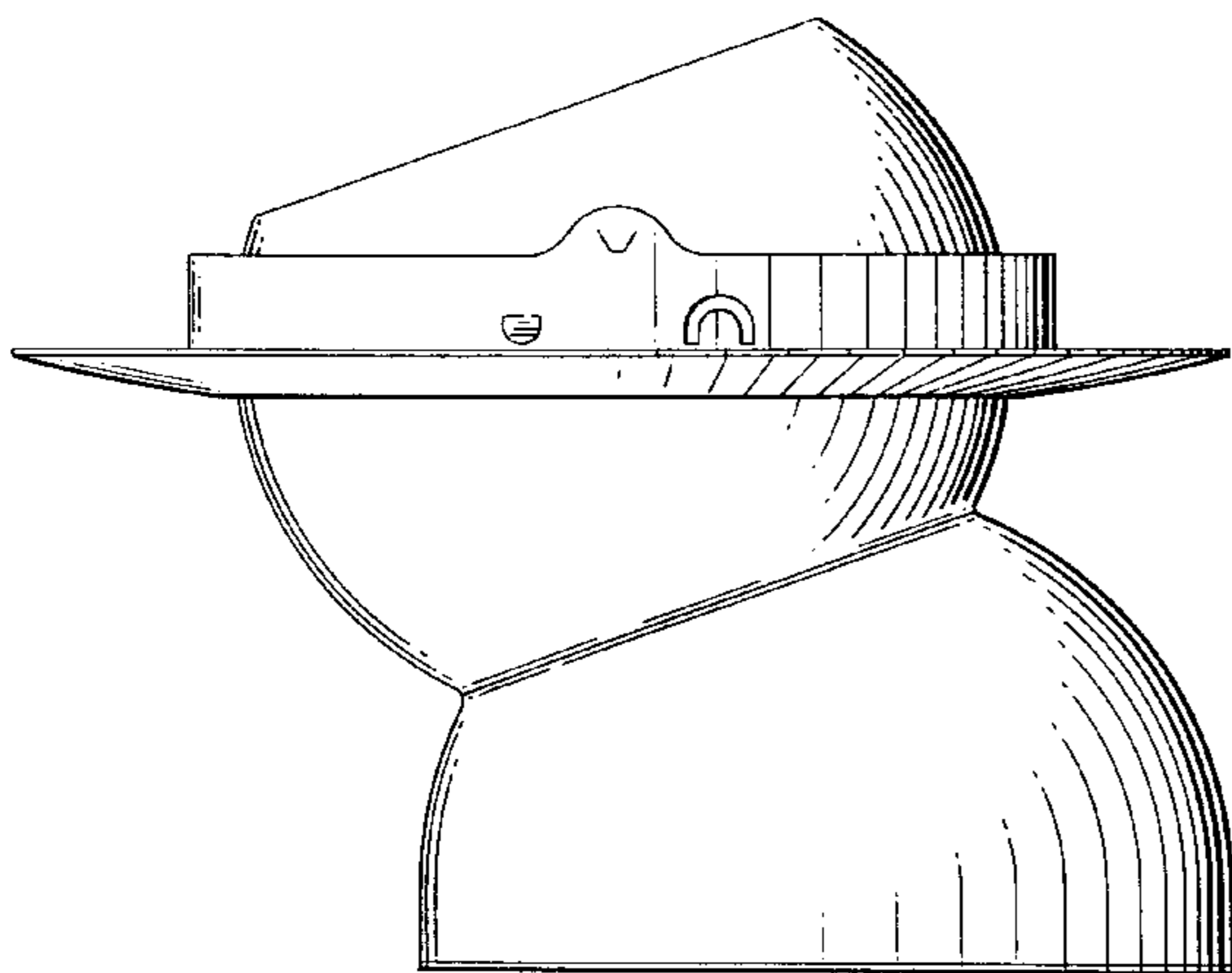
FIG. 10 is a left side elevational view of FIG. 7;

FIG. 11 is a top plan view of FIG. 7; and,

FIG. 12 is a bottom plan view of FIG. 7 with a lamp disposed in the trim.

The lamp is shown in broken lines for illustrative purposes only and forms no part of the claimed design.

1 Claim, 6 Drawing Sheets



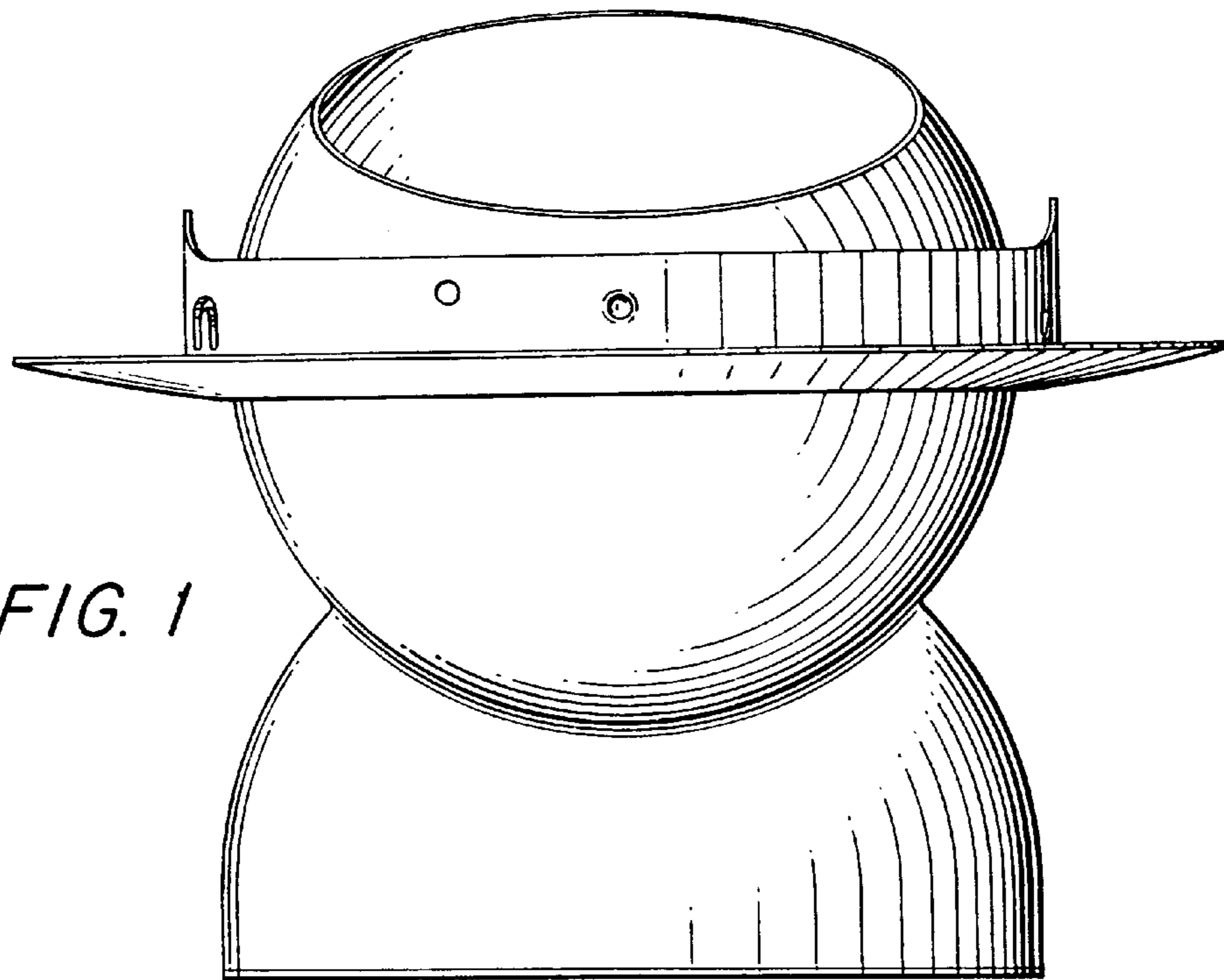


FIG. 1

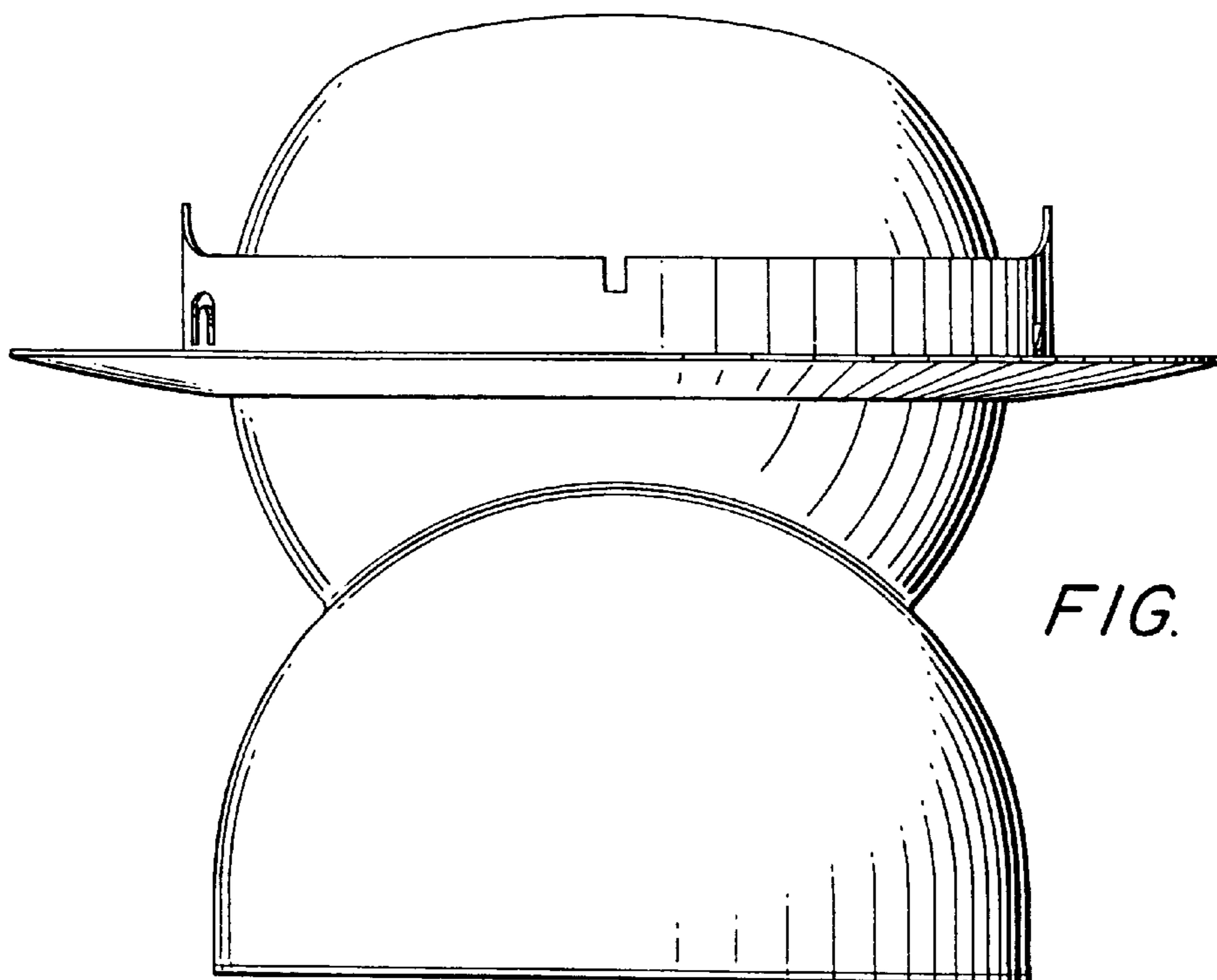


FIG. 2

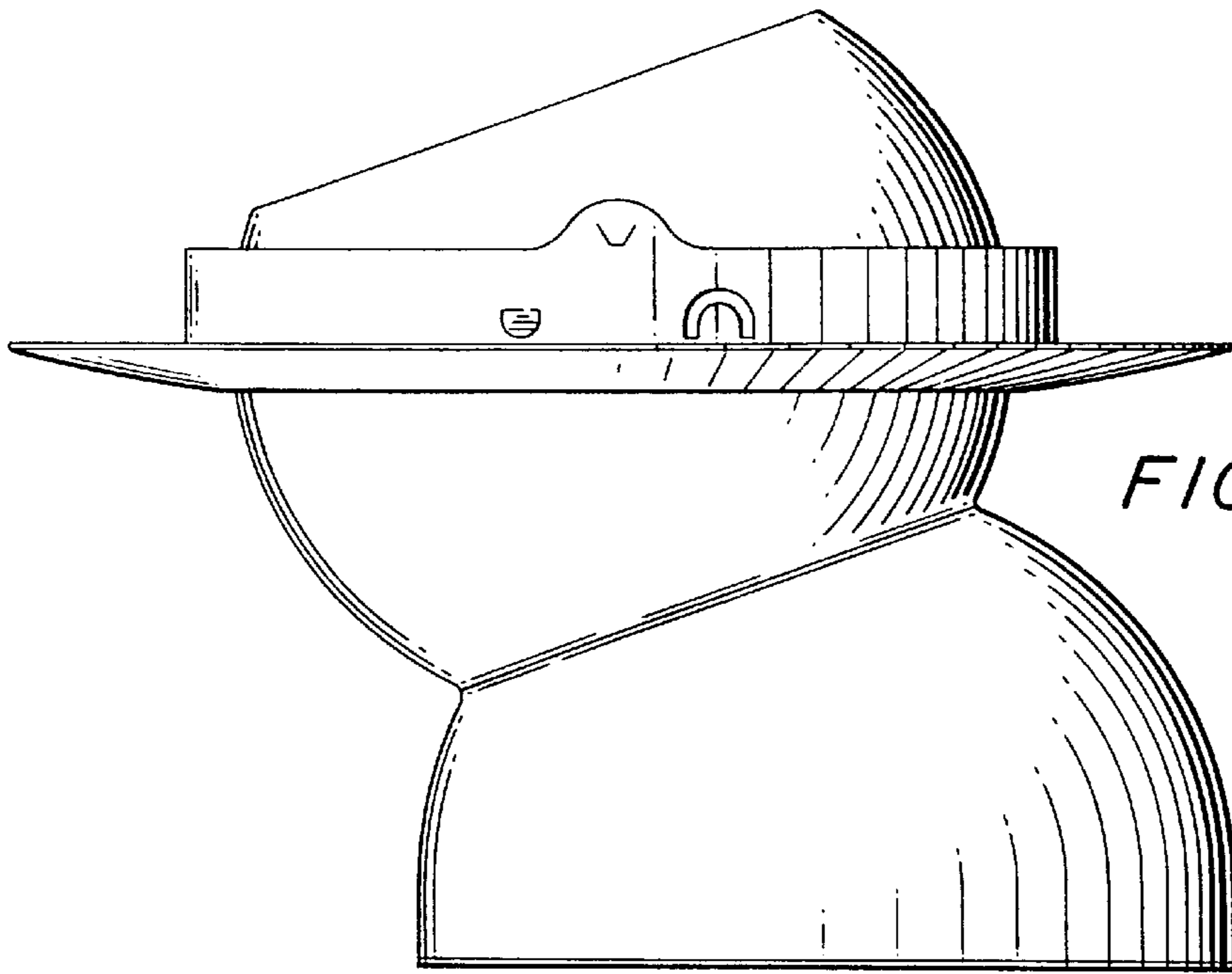


FIG. 3

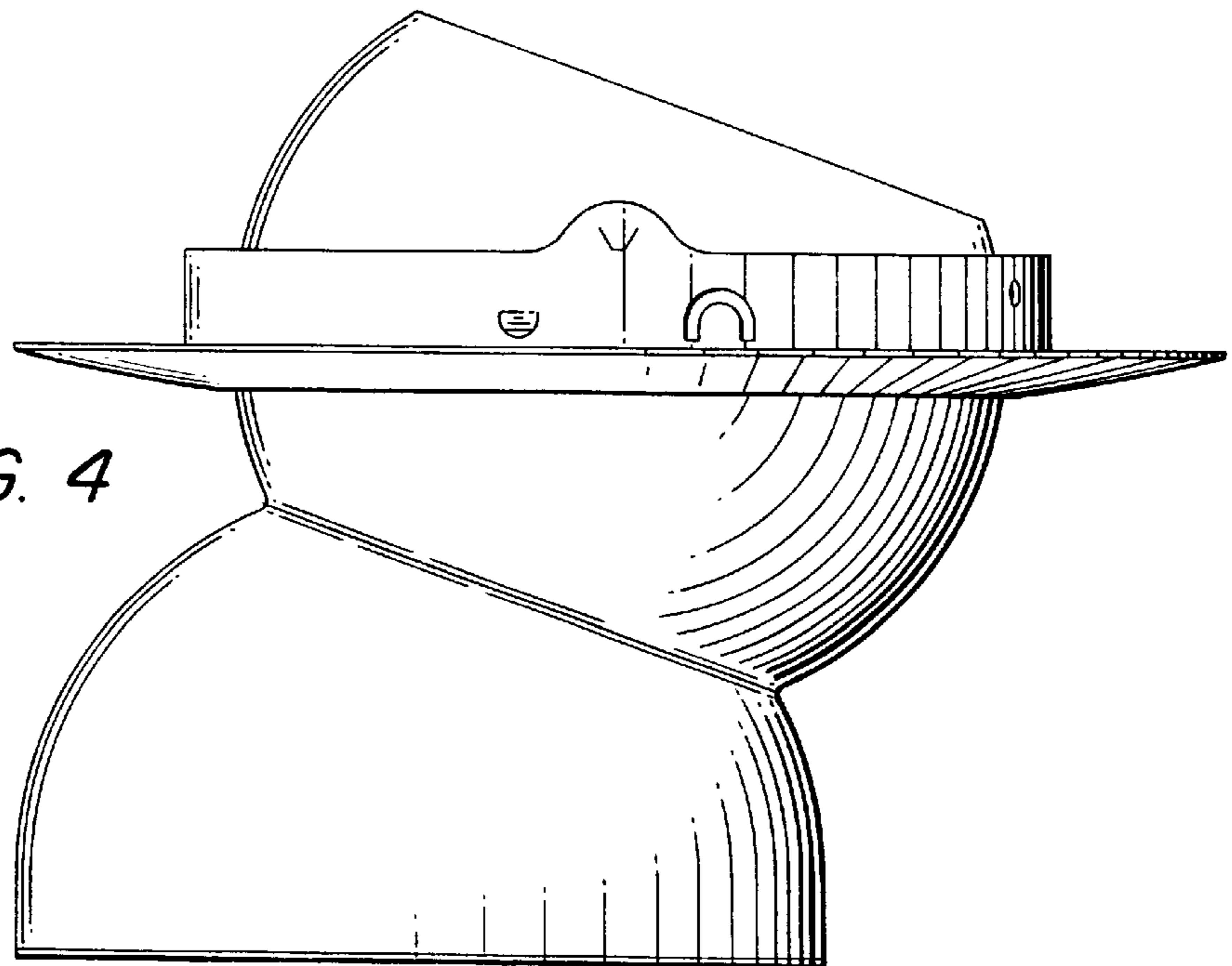


FIG. 4

FIG. 5

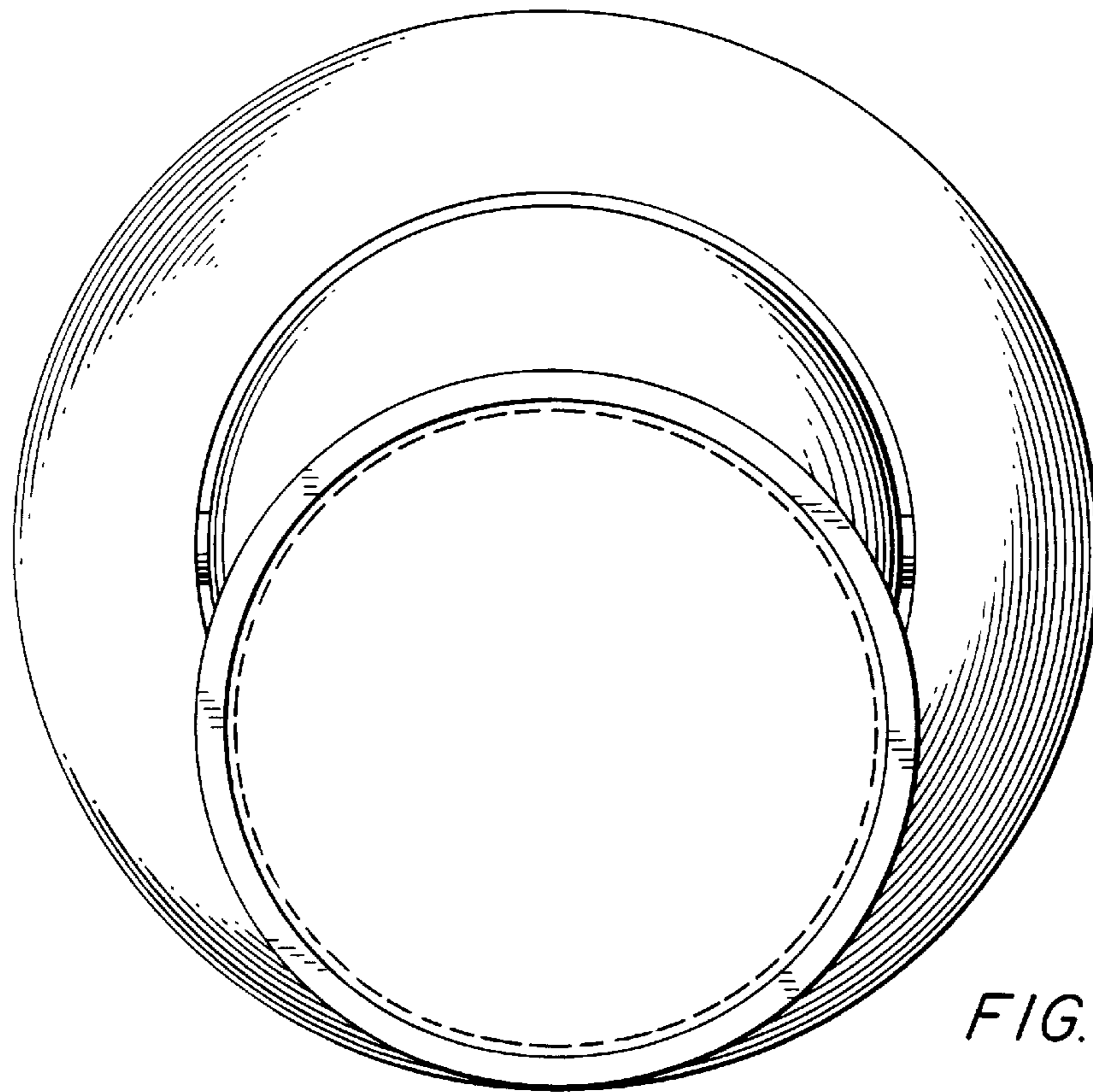
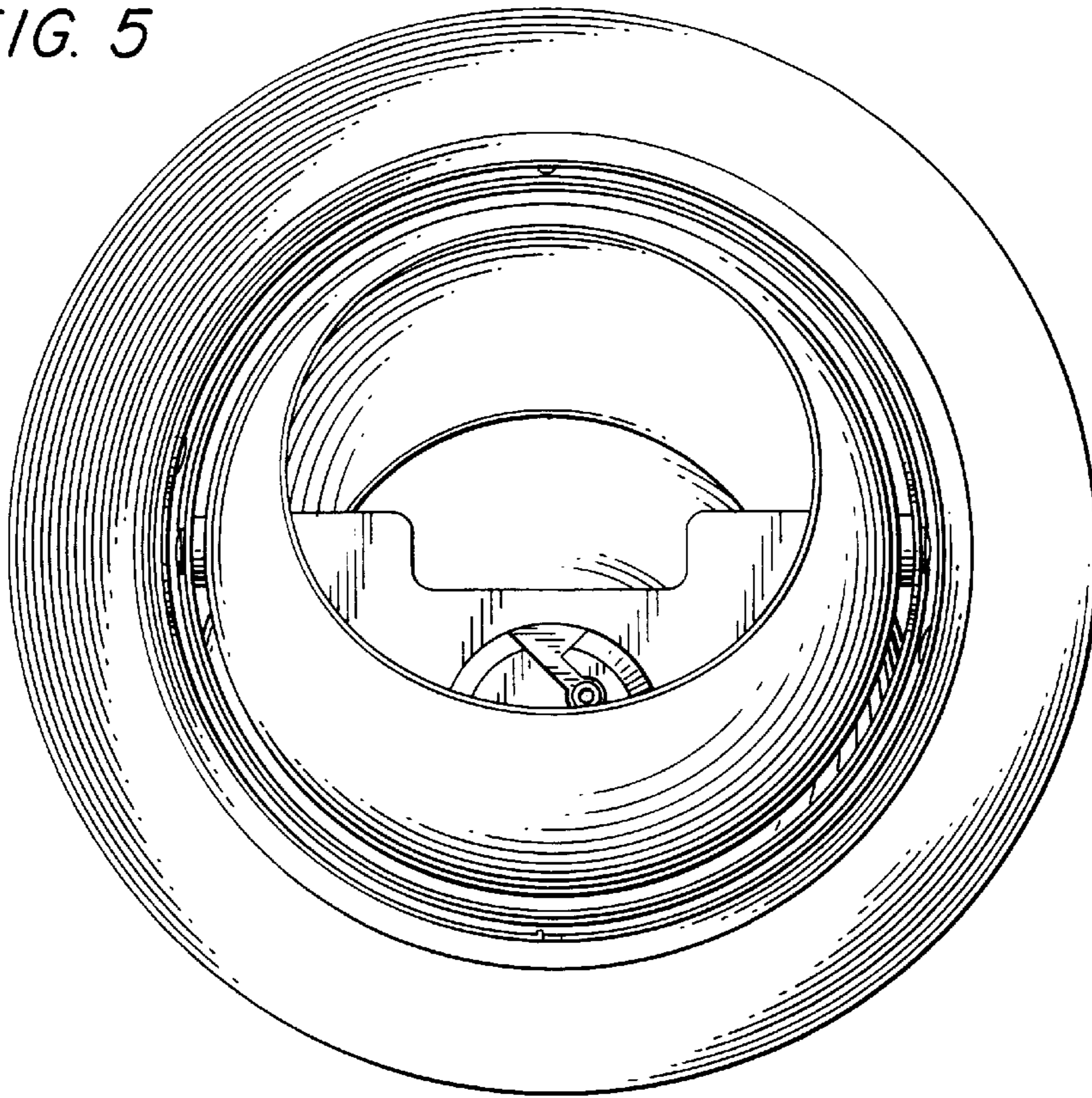
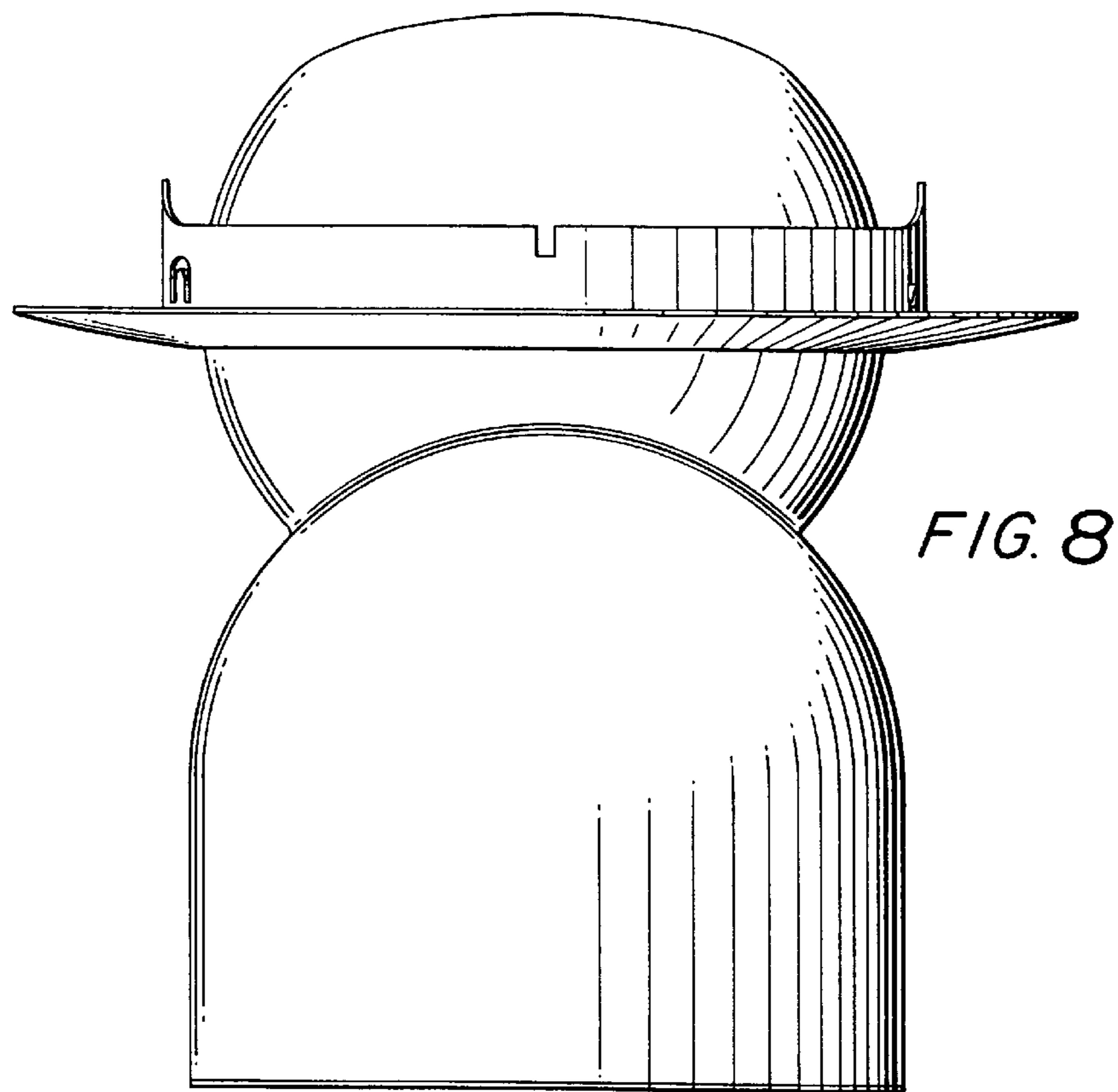
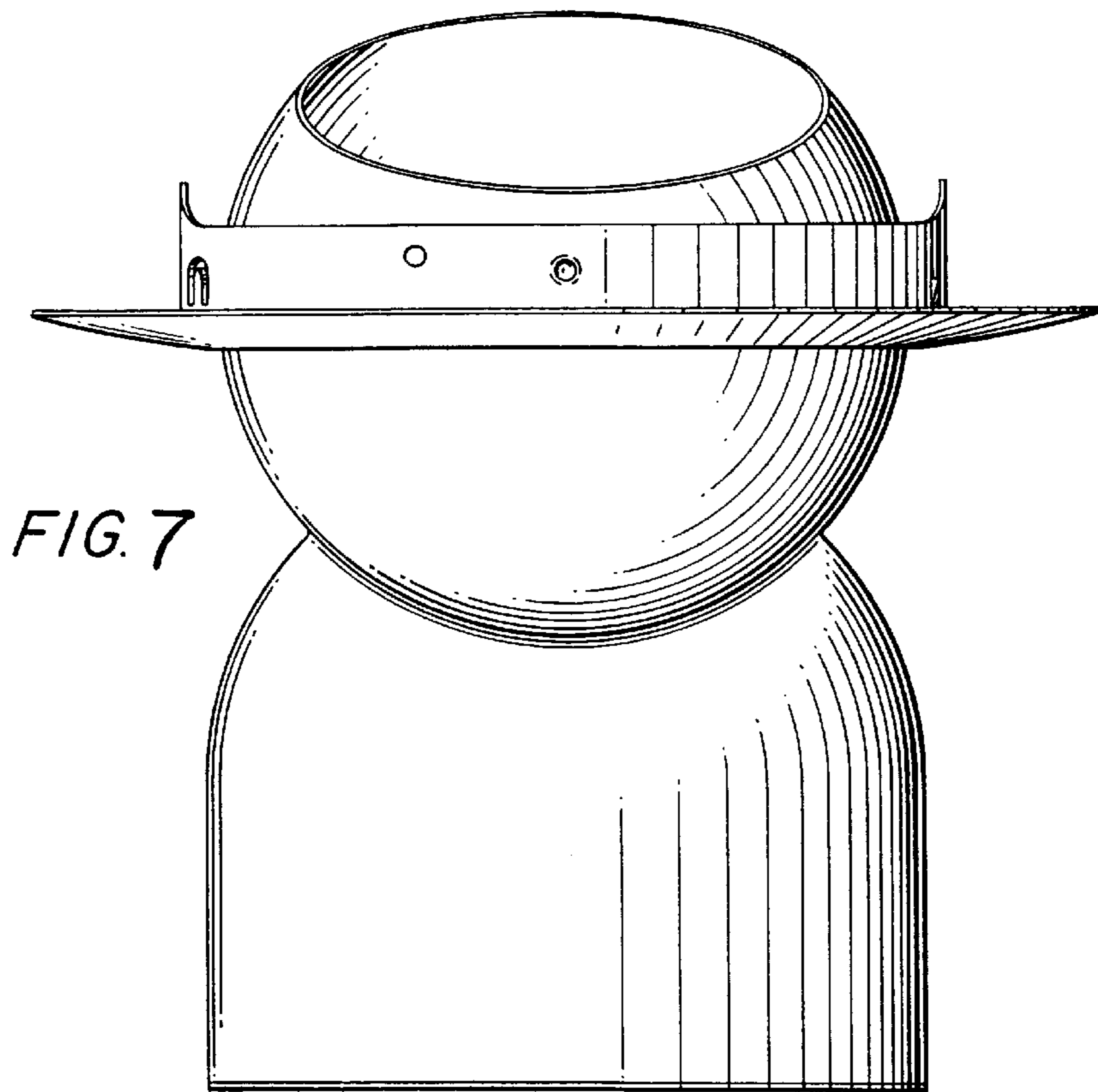


FIG. 6



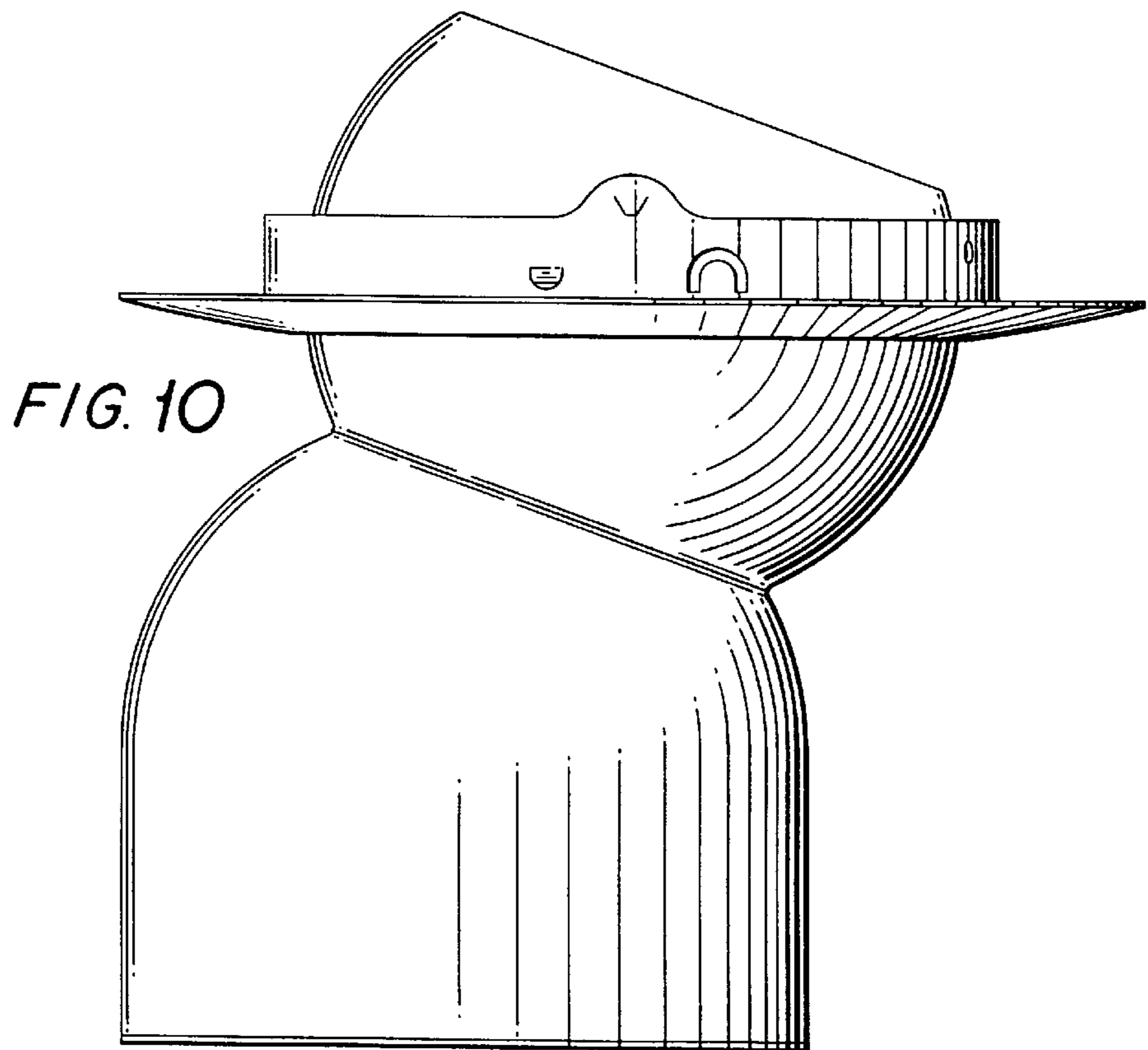
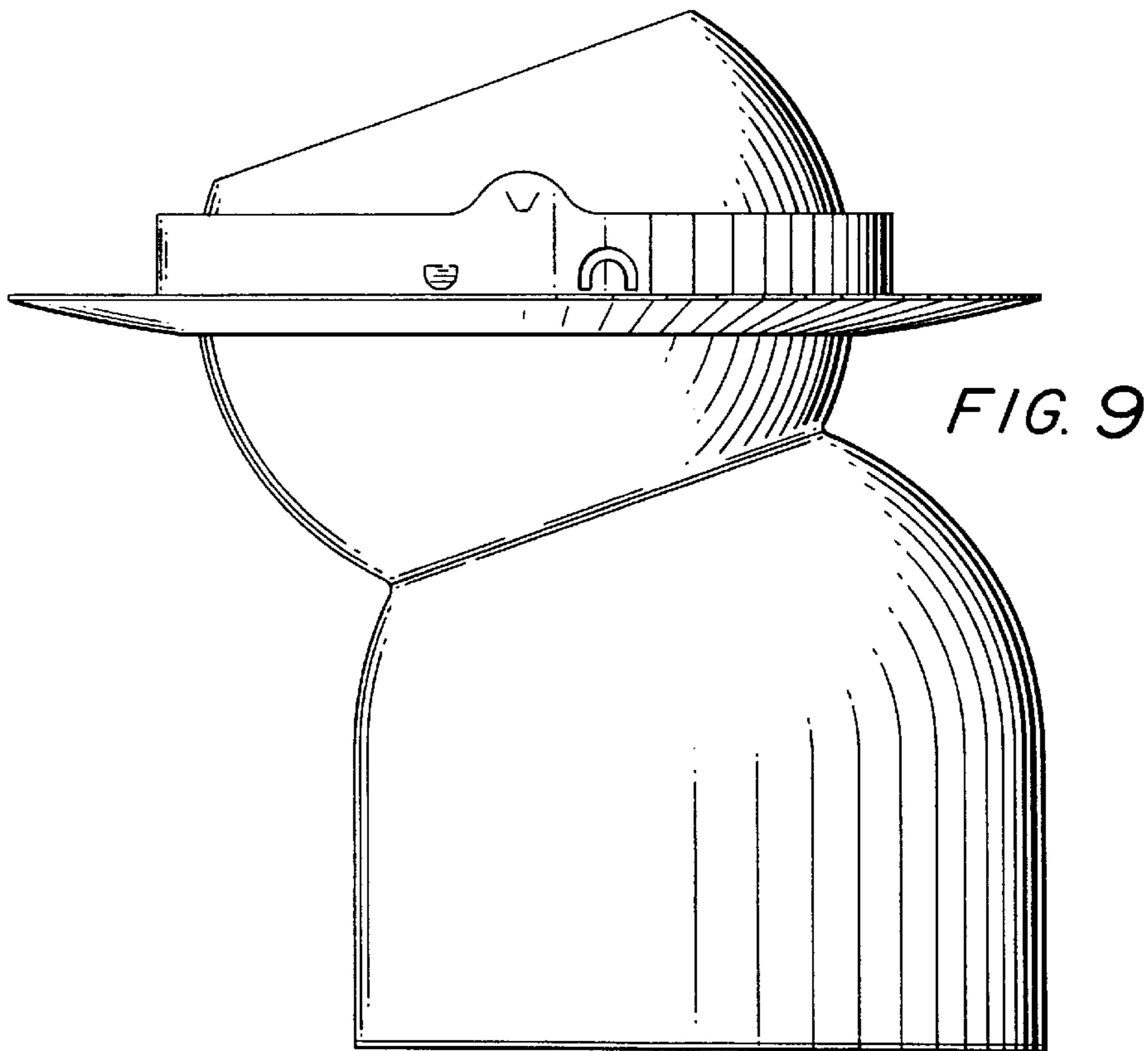


FIG. 11

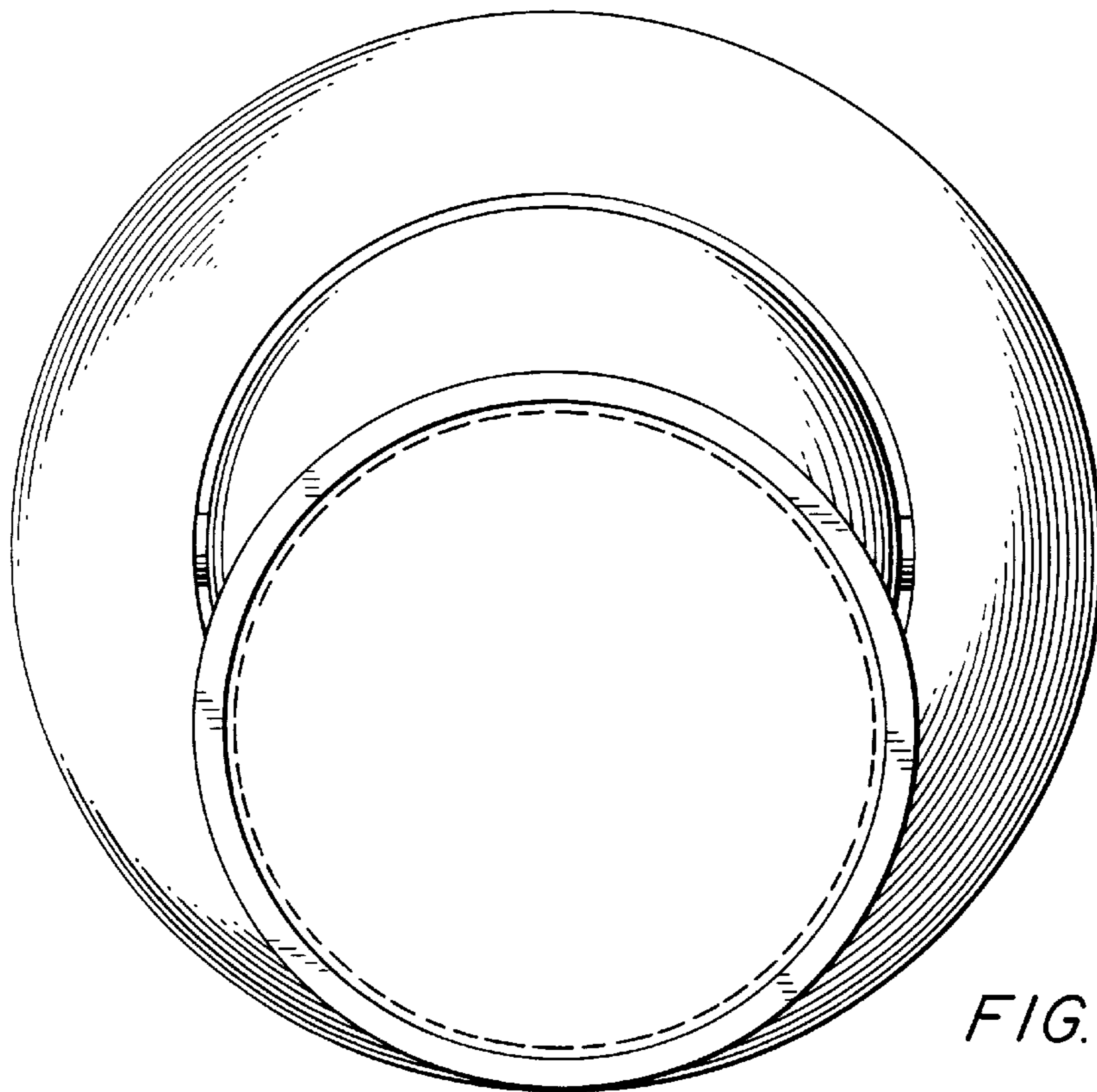
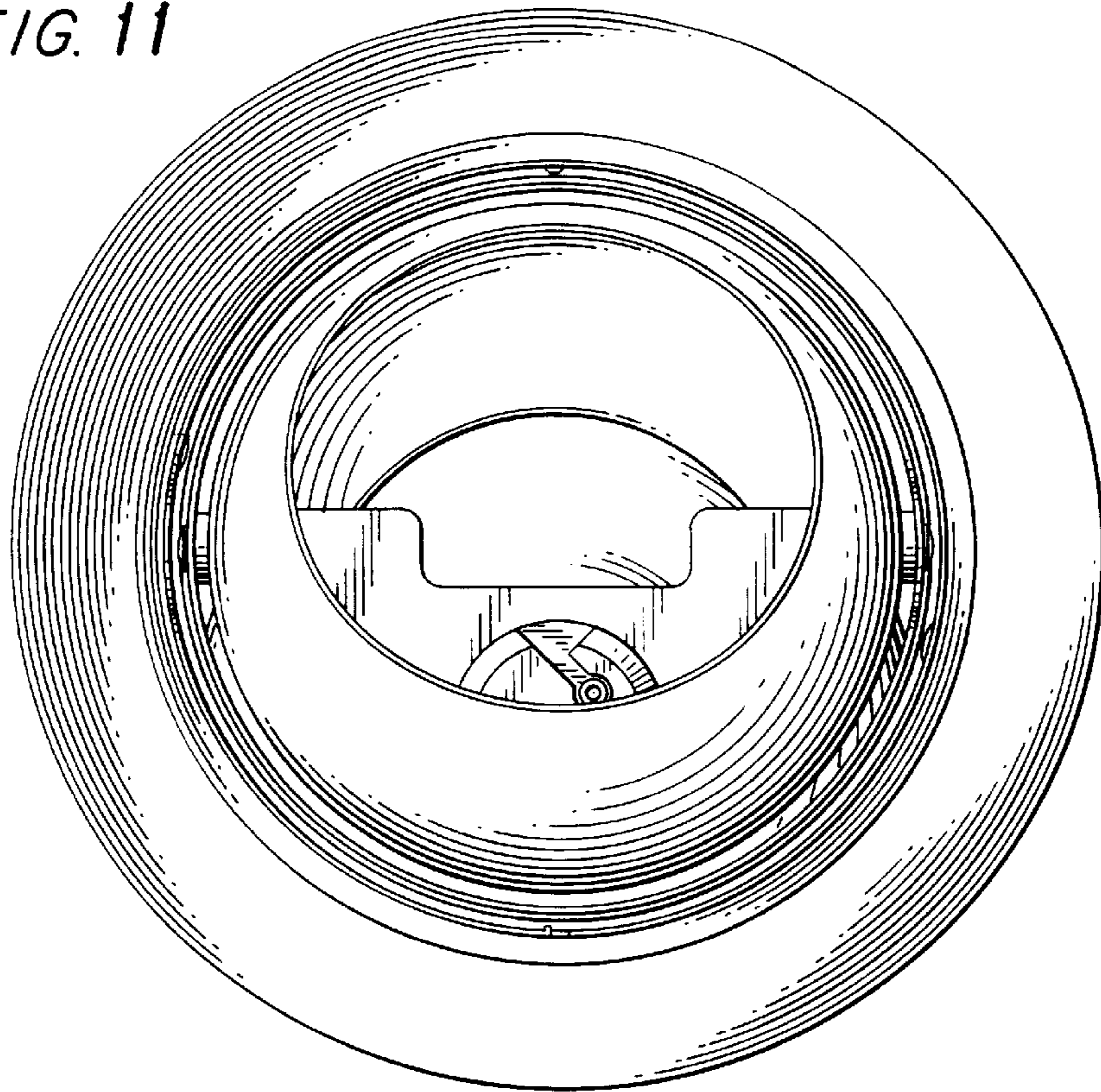


FIG. 12