



US00D413996S

United States Patent [19]

Andrus et al.

[11] Patent Number: Des. 413,996

[45] Date of Patent: ** Sep. 14, 1999

[54] EXTERIOR LIGHT FIXTURE

[75] Inventors: **Don Andrus**, High Point, N.C.; **Pei Sheng Qian**, Shanghai, China

[73] Assignee: **Regent Lighting Corporation**, Burlington, N.C.

[**] Term: **14 Years**

[21] Appl. No.: **29/088,362**

[22] Filed: **May 21, 1998**

[51] **LOC (6) Cl.** **26-05**

[52] **U.S. Cl.** **D26/68; D26/63**

[58] **Field of Search** **D26/60, 61, 63, D26/67, 68, 69; 362/431, 147, 153, 153.1, 267, 269, 275, 285, 287, 418, 419, 427**

[56] References Cited

U.S. PATENT DOCUMENTS

4,870,548 9/1989 Beachy et al. 362/431 X
5,386,356 1/1995 Davis, Jr. et al. 362/267

OTHER PUBLICATIONS

Hanover Lantern catalog; p. 12, Terralight@exterior #6378, Dec. 1989.

Primary Examiner—Susan J. Lucas
Attorney, Agent, or Firm—Niro, Scavone, Haller & Niro

[57] CLAIM

the ornamental design for an exterior light fixture, as shown and described.

DESCRIPTION

FIG. 1 is a front perspective view of the exterior light fixture of the new design, the broken lines being shown for illustrative purposes only, and forming no part of the claimed design;

FIG. 2 is a right side elevational view thereof;

FIG. 3 is a top plan view thereof;

FIG. 4 is a left side elevational view thereof;

FIG. 5 is a bottom plan view thereof;

FIG. 6 is a front elevational view thereof; and,

FIG. 7 is a back elevational view thereof.

1 Claim, 4 Drawing Sheets

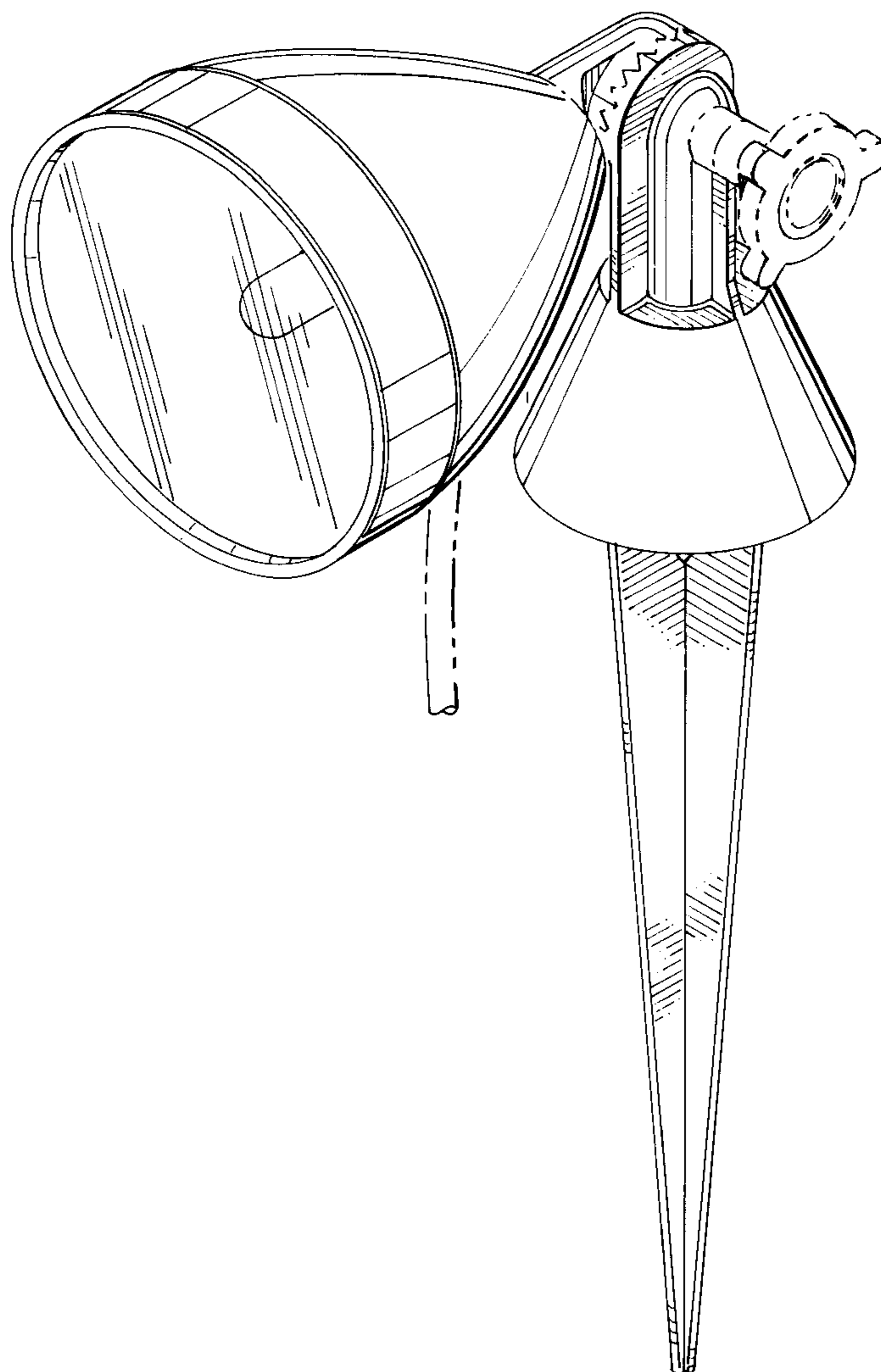


FIG. 1

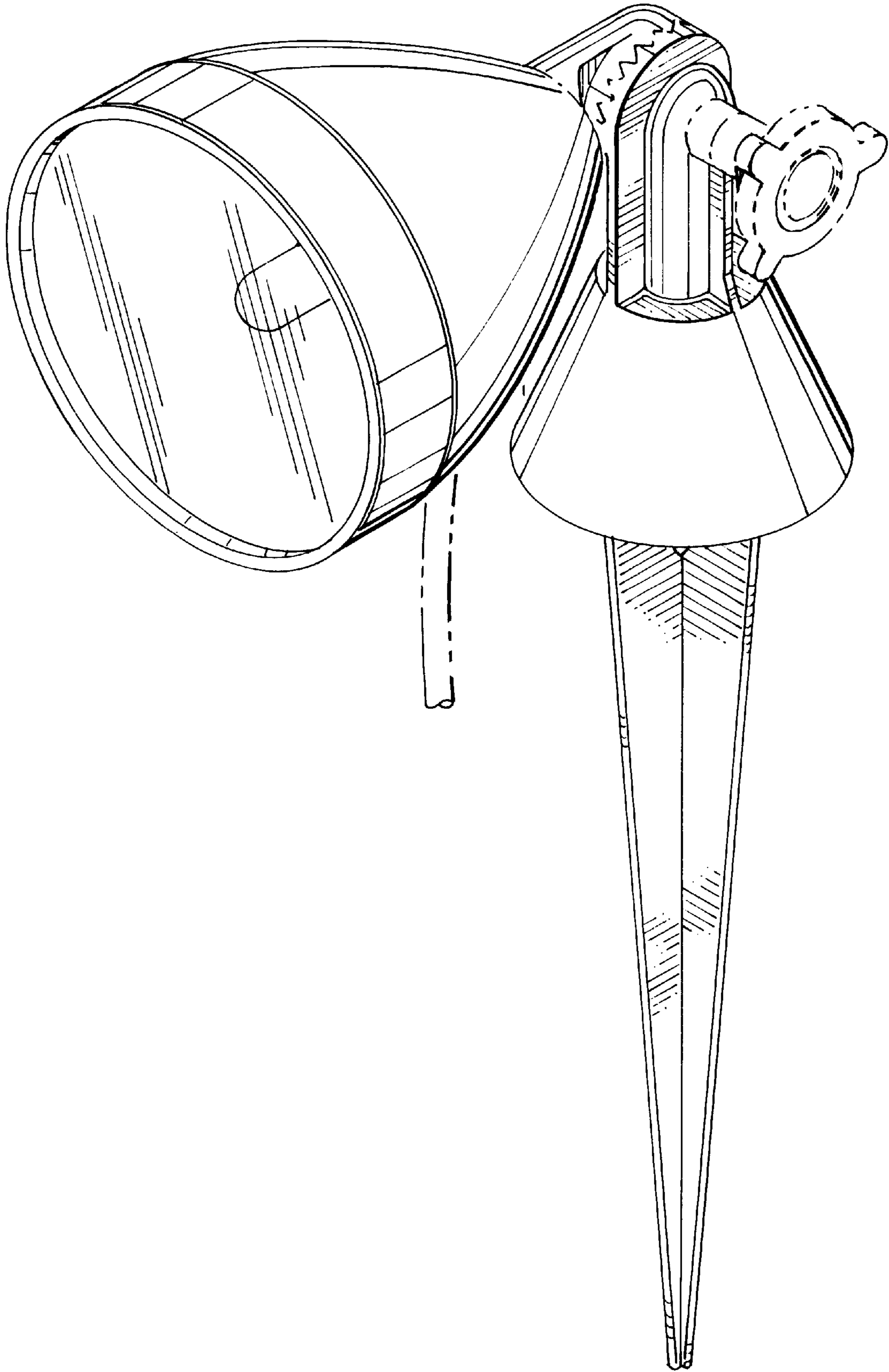


FIG. 2

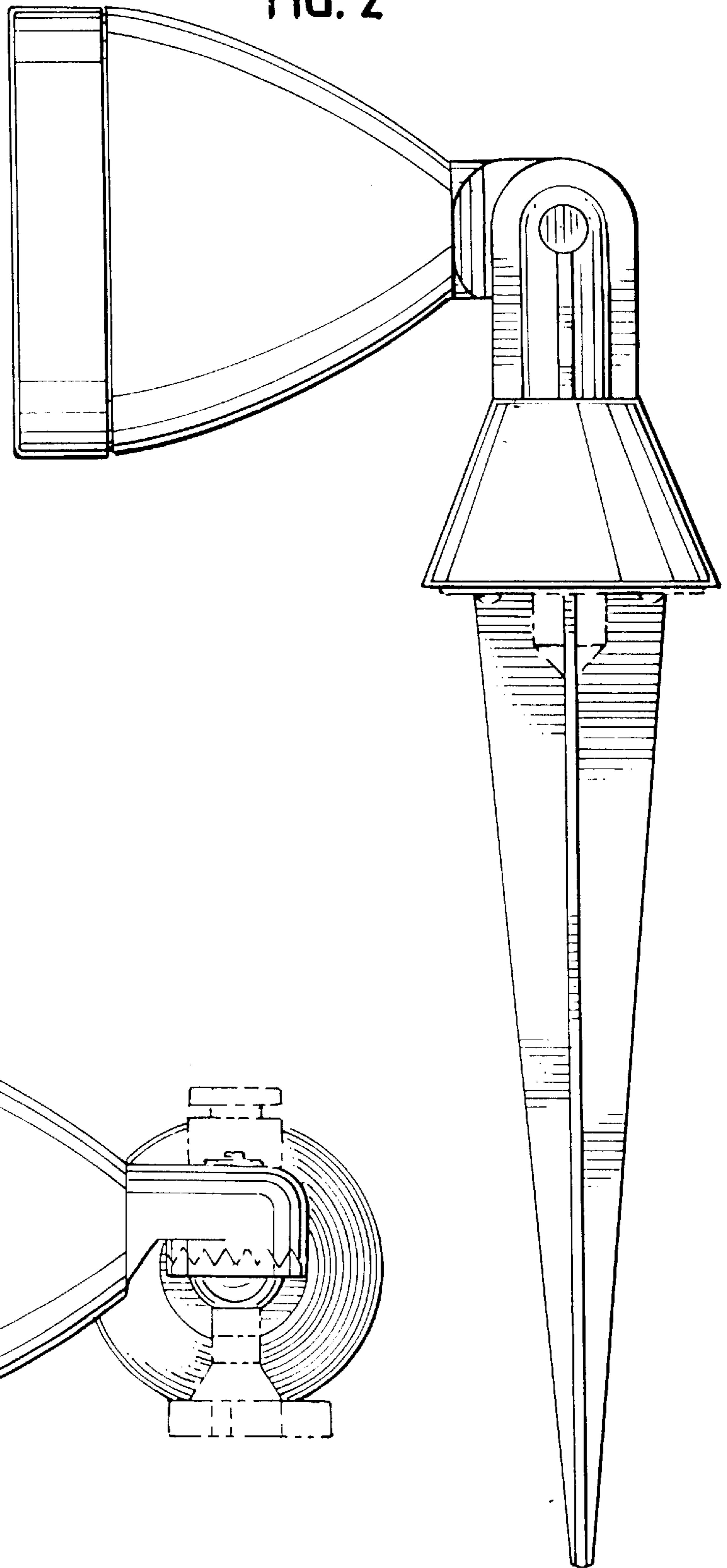


FIG. 3

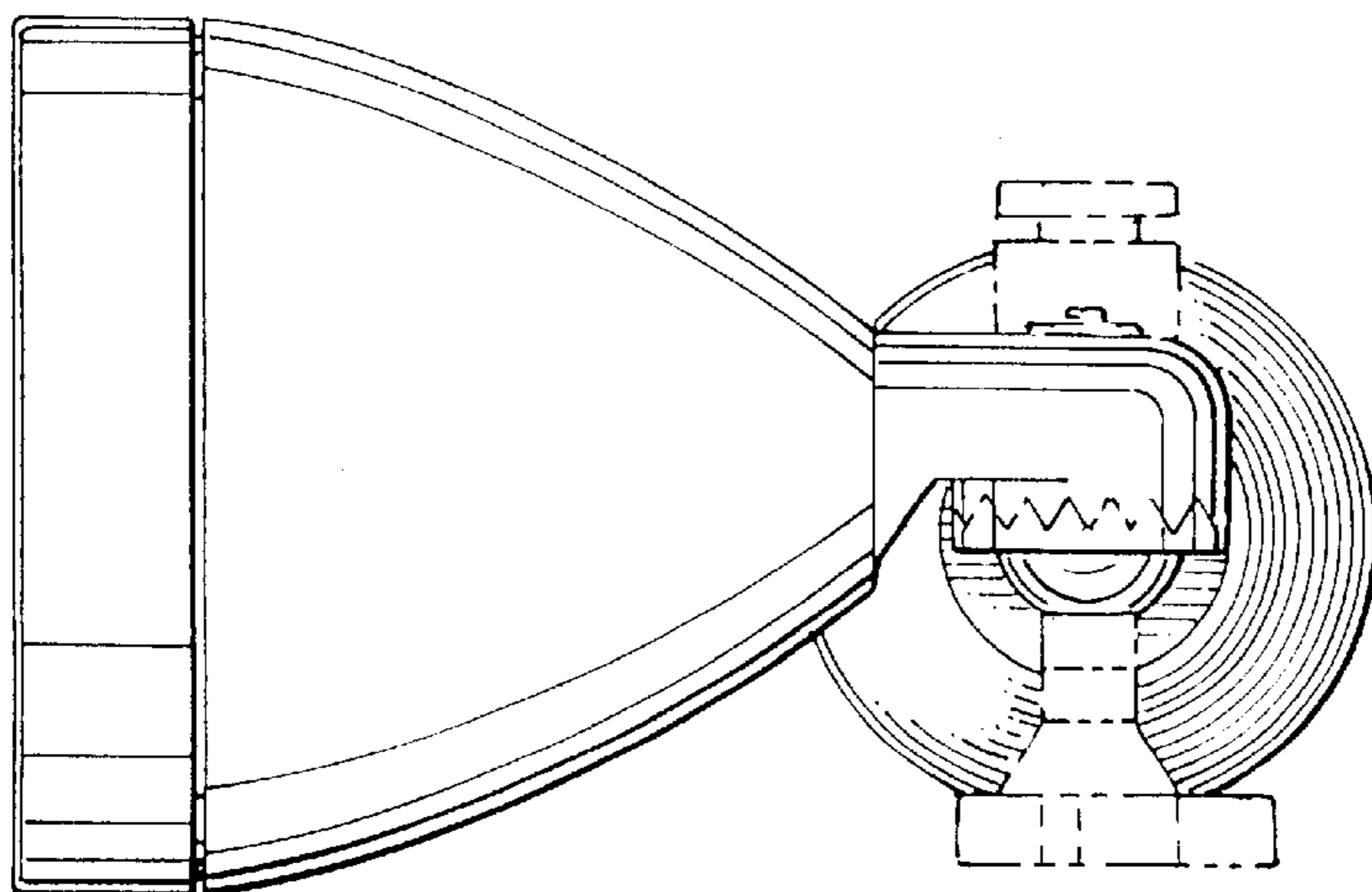


FIG. 4

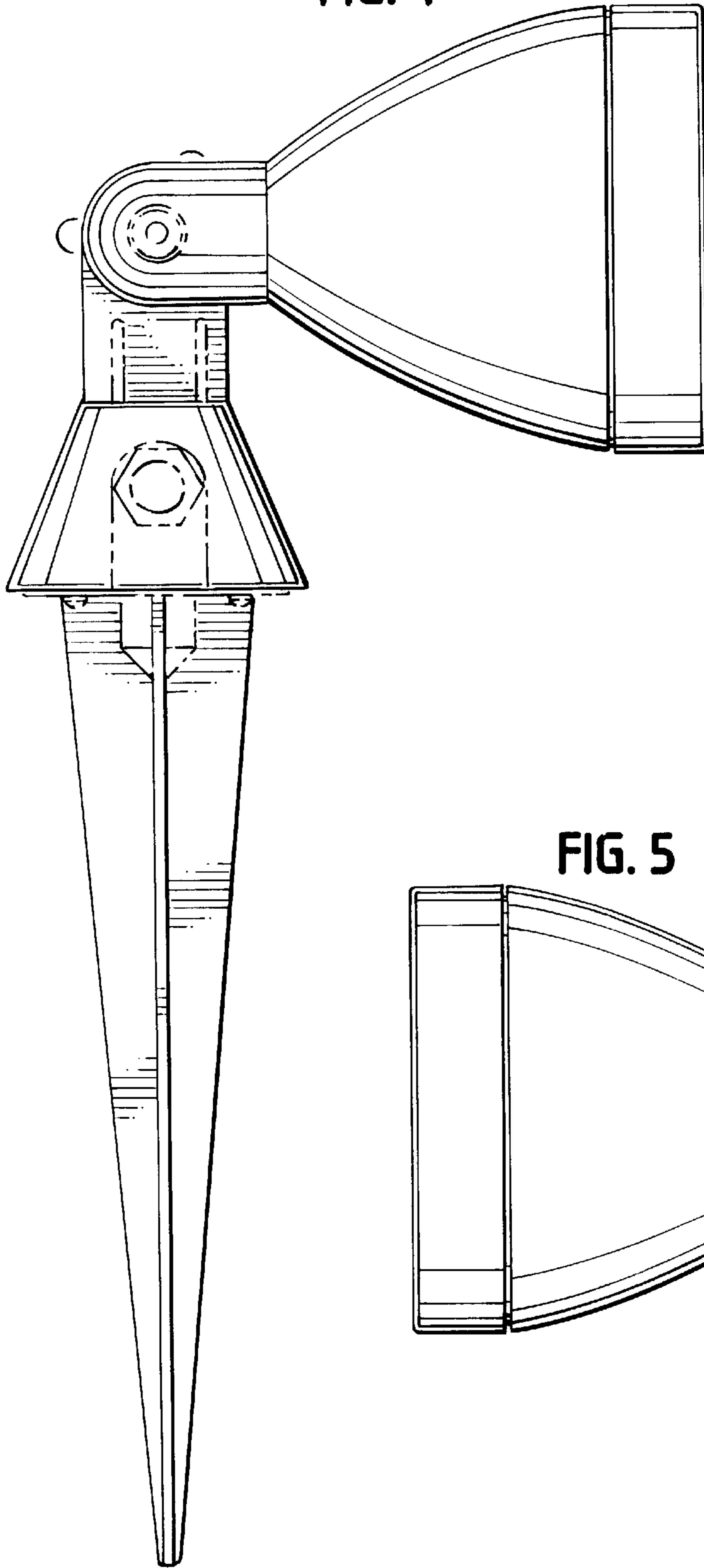


FIG. 5

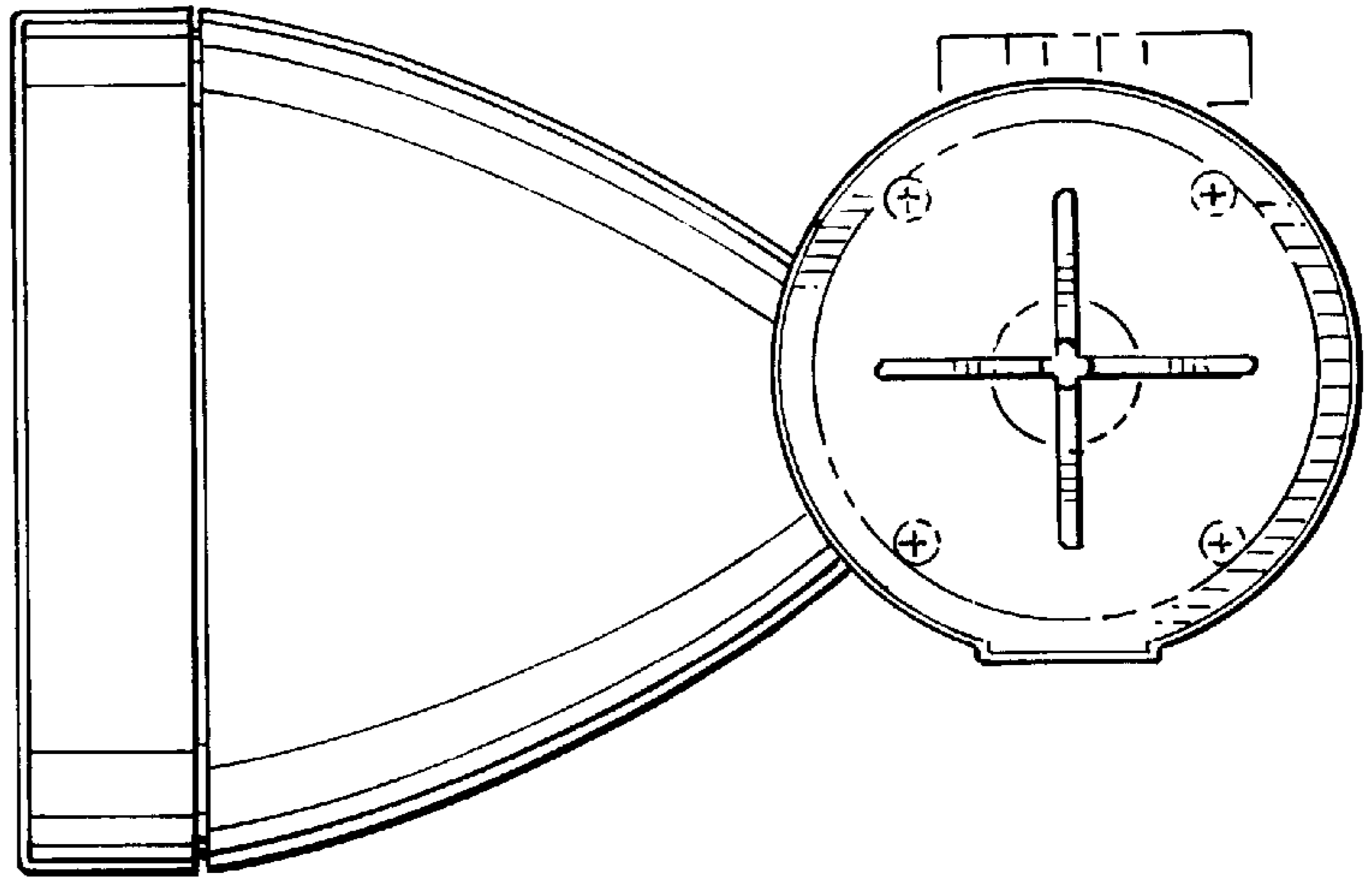


FIG. 6

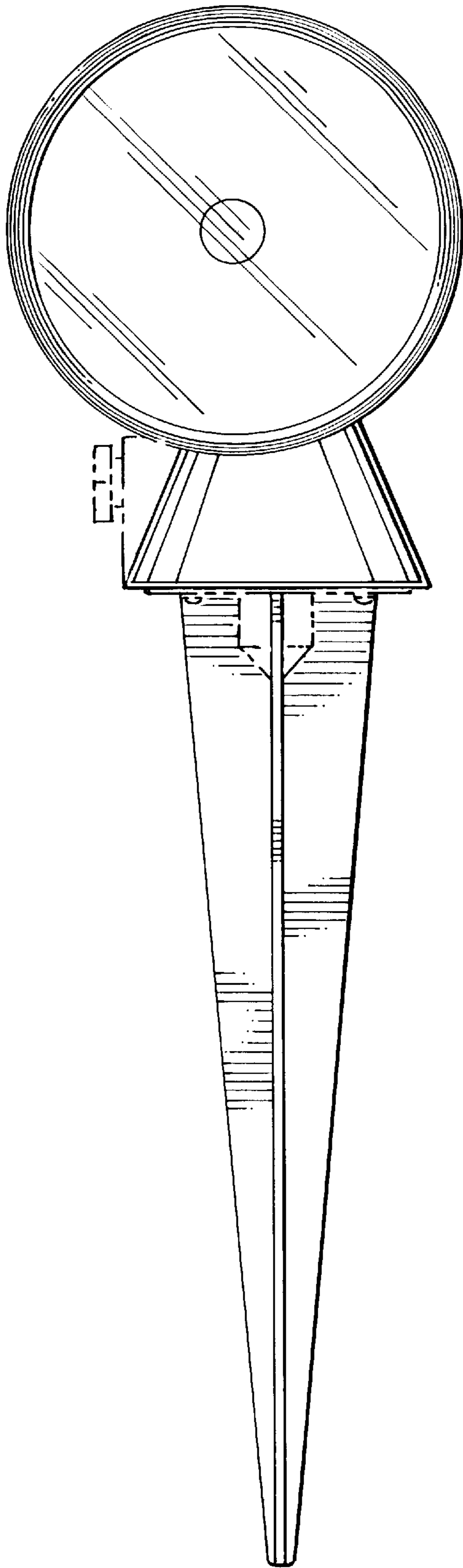


FIG. 7

