



US00D413994S

# United States Patent [19]

Clowers et al.

[11] Patent Number: Des. 413,994

[45] Date of Patent: \*\* Sep. 14, 1999

[54] BATTERY POWERED FLASHLIGHT

[75] Inventors: Earl Clowers; Mark A. Etter, both of Jackson, Tenn.

[73] Assignee: Porter-Cable Corporation, Jackson, Tenn.

[\*\*] Term: 14 Years

[21] Appl. No.: 29/092,810

[22] Filed: Aug. 27, 1998

[51] LOC (6) Cl. .... 26-02

[52] U.S. Cl. .... D26/44

[58] Field of Search ..... D26/37-50; 362/157, 362/158, 171, 172, 173, 181-208

[56] References Cited

U.S. PATENT DOCUMENTS

D. 375,570	11/1996	Hayakawa et al. ....	D26/44
D. 392,759	3/1998	Howard et al. ....	D26/44
D. 405,552	2/1999	Howard et al. ....	D26/44
D. 406,372	3/1999	Matthes et al. ....	D26/44

OTHER PUBLICATIONS

Black & Decker® Catalog, Front and back cover and pp. 12-14, Models VP250T, VP240T, VP230T, VP225T, VP215, and VP210T (Date unknown) Prior to Aug. 27, 1998.

Craftsman® Power and Hand Tools, Sears Shop at Home Catalog, Front and back cover and p. 84, Item F, order No. 93999 (1998-1999).

DeWalt® Catalog, Front and back cover and pp. 15, 16, 19, 23, 24 and 26, Models DW919, DW908, DW918, DW906, DW917, DW904, DW902, and DW913 (1997).

Makita General Catalog, Front and back cover and p. 127, Model MAC010 (1996-1997).

Makita General Catalog, Front and back cover and p. 27, Cordless Power Tool Accessories (1996-1997).

Makita General Catalog, Front and back cover and pp. 13, 16, 20, Models ML701, ML702, ML902, and ML901 (1996-1997).

Milwaukee® Heavy-Duty Electric Tools for Contractors and Industries Catalog, Front and back cover and p. 34, Models 48-11-0300, 49-24-0100, and 49-17-0256 (1998). Ryobi® Power Tools Outdoor Power Equipment Builders Hardware Catalog, Front and back cover and p. 23, Model TFF100 (1995).

Skil® Heavy Duty Power Tools and Accessories Catalog, Front and back cover and p. 10, Model 2040:71 (1995). Tools on Sale™, Seven Corners Hdwe., Inc., Front and back cover and pp. 12 and 20, Models Skil HD2940-71 and Panasonic EY3790B (1998).

Primary Examiner—Marcus A. Jackson  
Attorney, Agent, or Firm—Merchant & Gould P.C.

[57] CLAIM

The ornamental design for a battery powered flashlight, as shown and described.

DESCRIPTION

FIG. 1 is a front and top right perspective view of a battery powered flashlight configured for receiving a rechargeable battery with a first voltage capacity.

FIG. 2 is a front elevational view of the battery powered flashlight shown in FIG. 1.

FIG. 3 is a rear elevational view of the battery powered flashlight shown in FIG. 1.

FIG. 4 is a right side elevational view of the battery powered flashlight shown in FIG. 1.

FIG. 5 is a left side elevational view of the battery powered flashlight shown in FIG. 1.

FIG. 6 is a top plan view of the battery powered flashlight shown in FIG. 1.

FIG. 7 is a bottom plan view of the battery powered flashlight shown in FIG. 1.

FIG. 8 is a front and top right perspective view of a battery powered flashlight having a rechargeable battery with the first voltage capacity.

FIG. 9 is a front elevational view of the battery powered flashlight shown in FIG. 8.

FIG. 10 is a rear elevational view of the battery powered flashlight shown in FIG. 8.

FIG. 11 is a right side elevational view of the battery powered flashlight shown in FIG. 8.

FIG. 12 is a left side elevational view of the battery powered flashlight shown in FIG. 8.

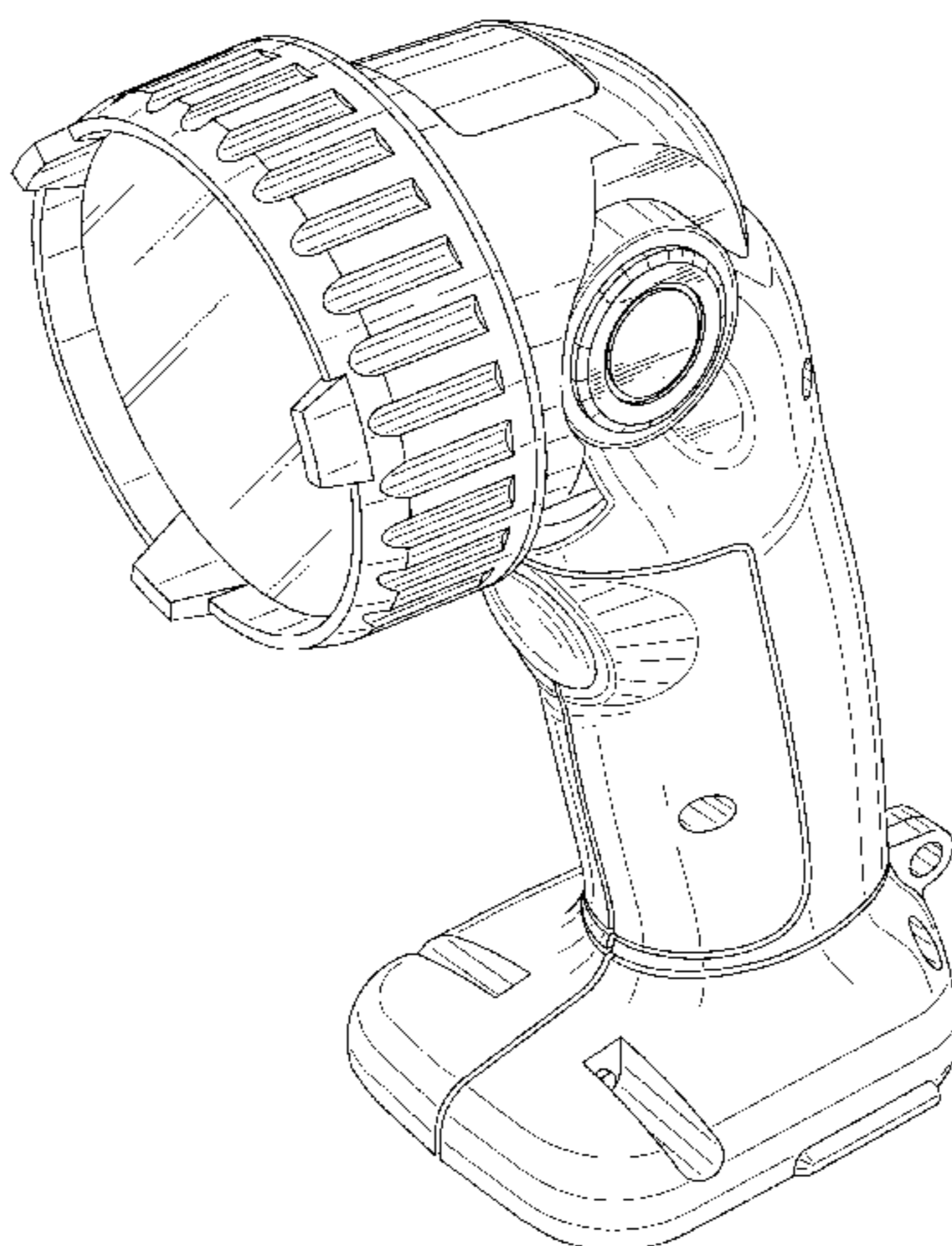


FIG. 13 is a top plan view of the battery powered flashlight shown in FIG. 8.

FIG. 14 is a bottom plan view of the battery powered flashlight shown in FIG. 8.

FIG. 15 is a front and top right perspective view of a battery powered flashlight configured for receiving a rechargeable battery with a second voltage capacity.

FIG. 16 is a front elevational view of the battery powered flashlight shown in FIG. 15.

FIG. 17 is a rear elevational view of the battery powered flashlight shown in FIG. 15.

FIG. 18 is a right side elevational view of the battery powered flashlight shown in FIG. 15.

FIG. 19 is a left side elevational view of the battery powered flashlight shown in FIG. 15.

FIG. 20 is a top plan view of the battery powered flashlight shown in FIG. 15.

FIG. 21 is a bottom plan view of the battery powered flashlight shown in FIG. 15.

FIG. 22 is a front and top right perspective view of a battery powered flashlight having a rechargeable battery with the second voltage capacity.

FIG. 23 is a front elevational view of the battery powered flashlight shown in FIG. 8.

FIG. 24 is a rear elevational view of the battery powered flashlight shown in FIG. 8.

FIG. 25 is a right side elevational view of the battery powered flashlight shown in FIG. 8.

FIG. 26 is a left side elevational view of the battery powered flashlight shown in FIG. 8.

FIG. 27 is a top plan view of the battery powered flashlight shown in FIG. 8; and,

FIG. 28 is a bottom plan view of the battery powered flashlight shown in FIG. 8.

**1 Claim, 24 Drawing Sheets**

FIG. 1

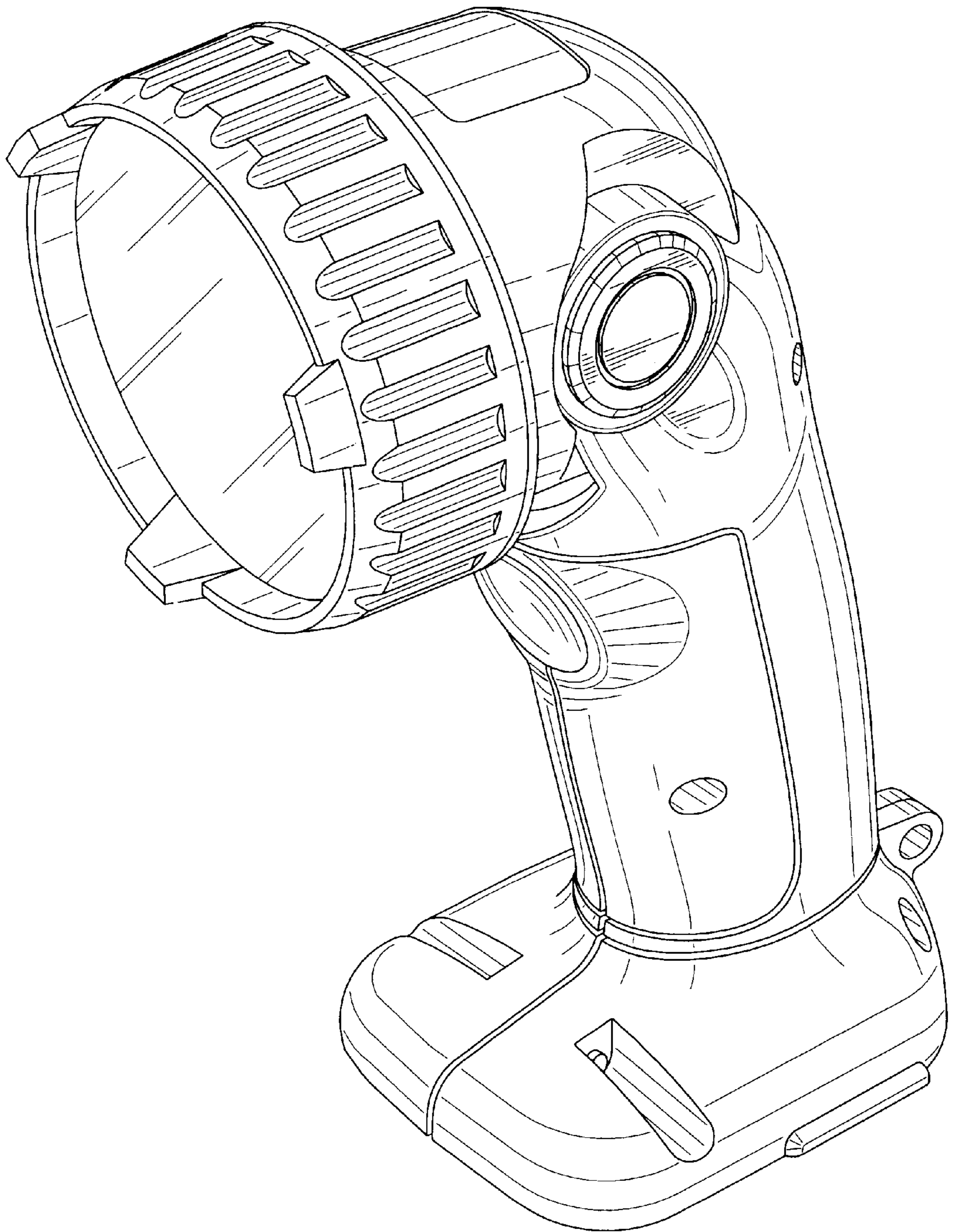




FIG. 2

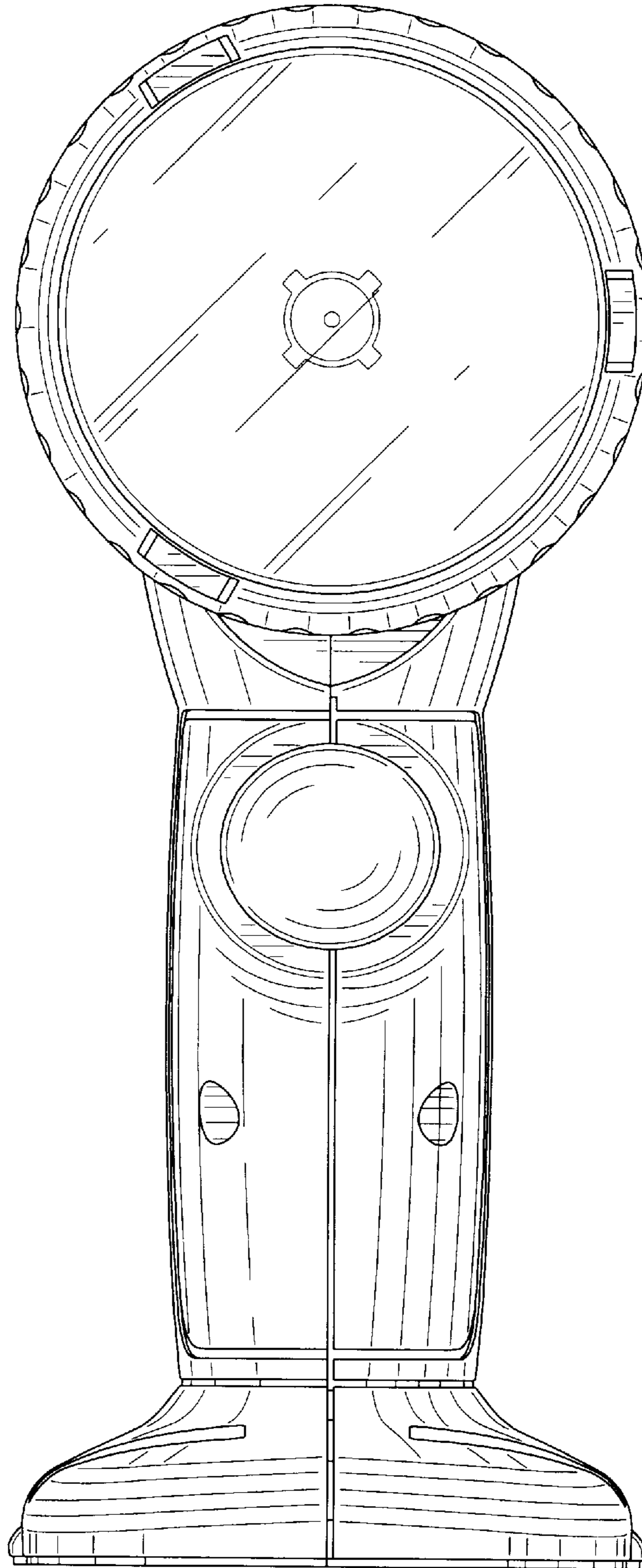


FIG. 3

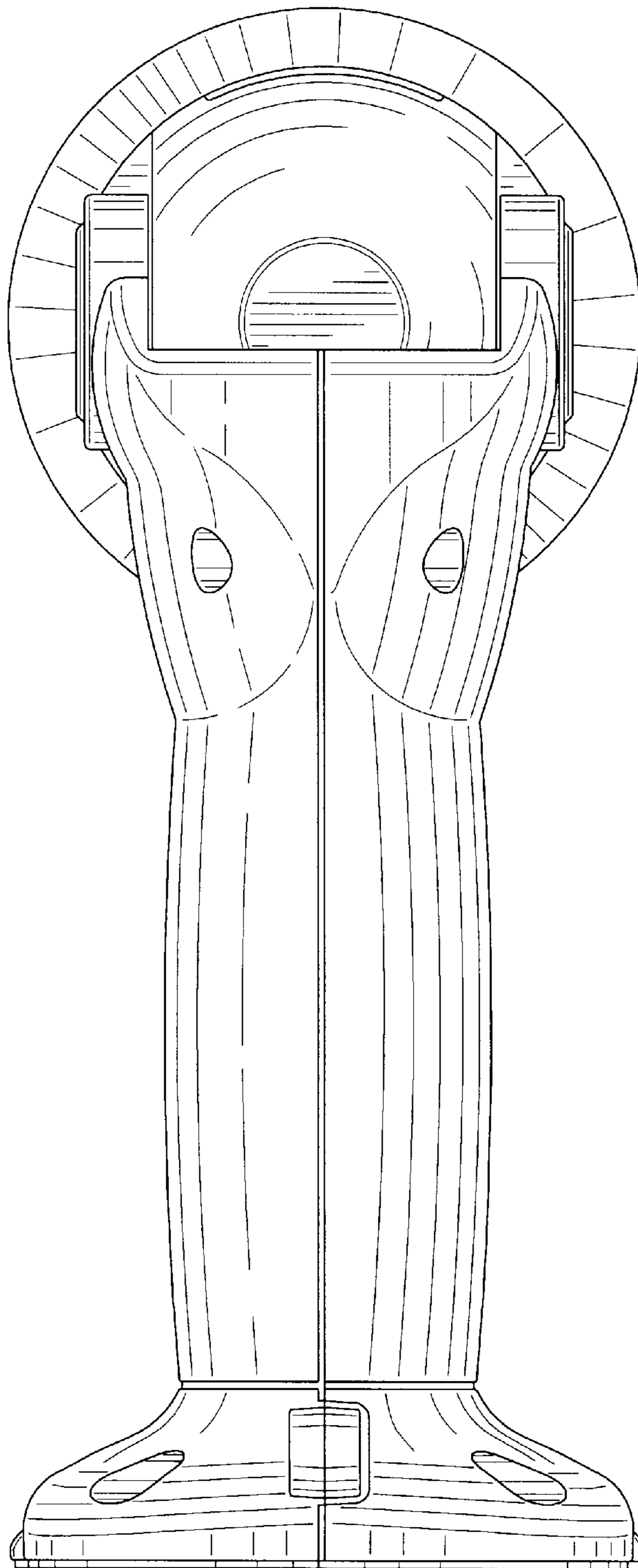


FIG. 4

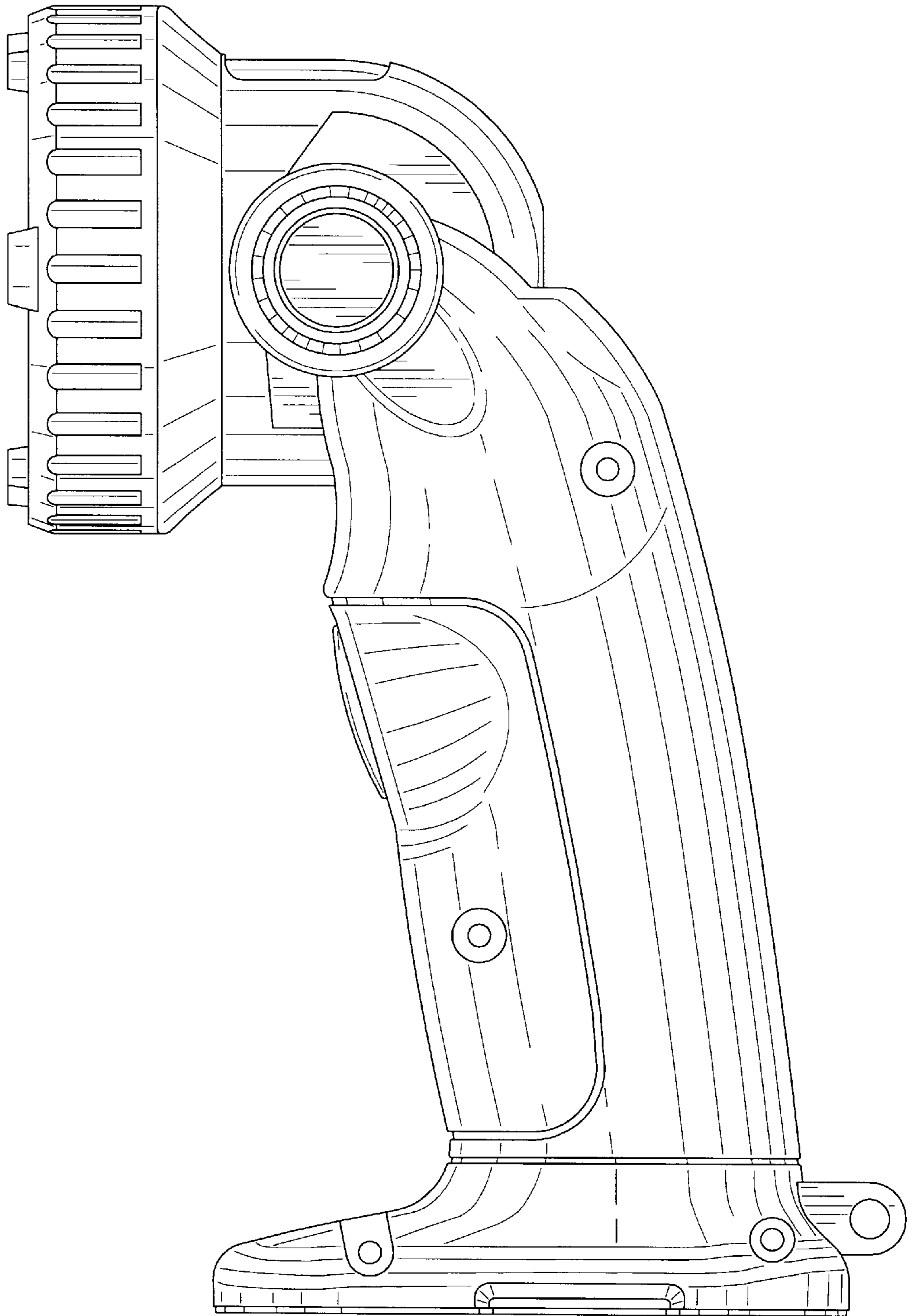
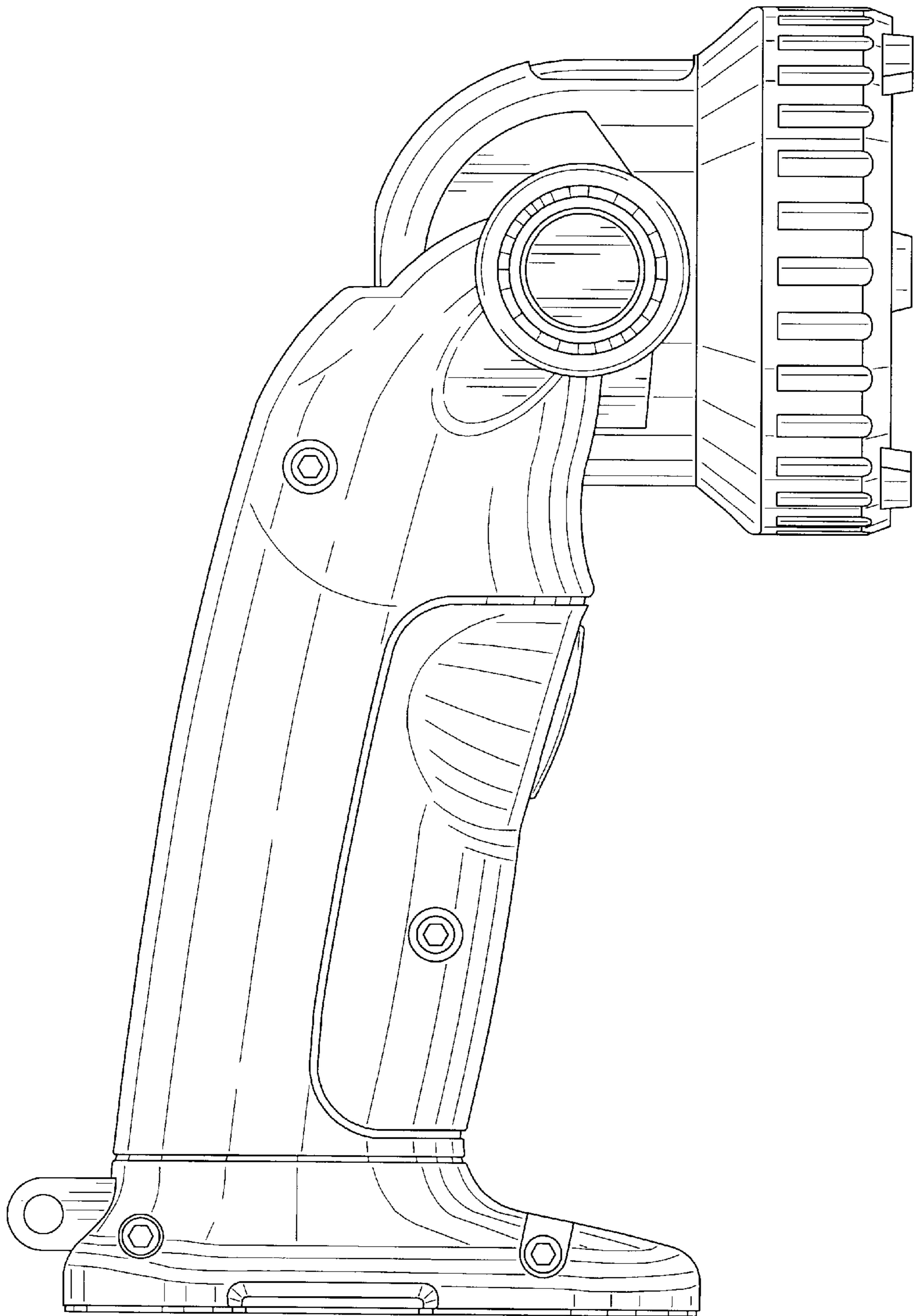


FIG. 5



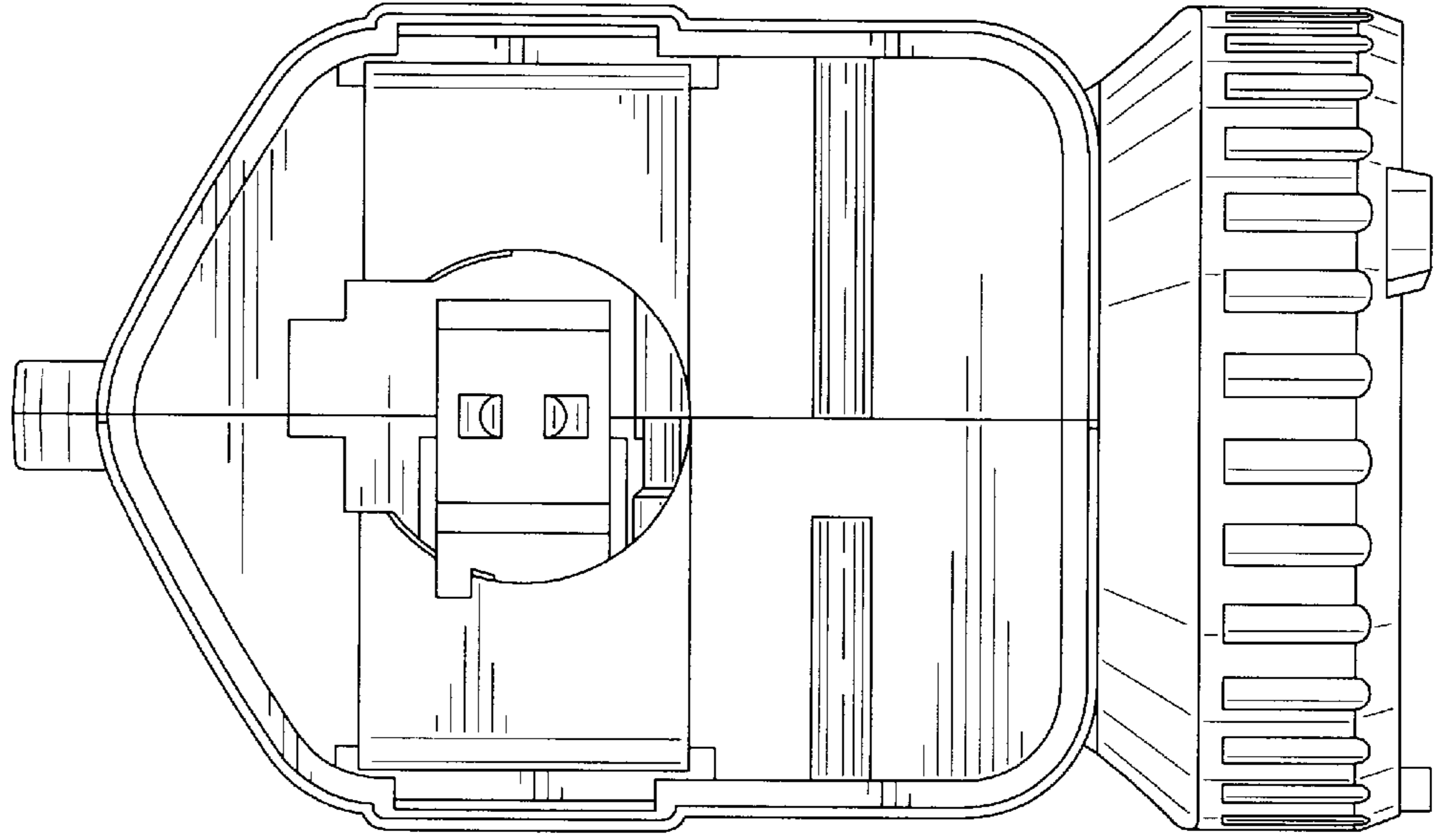


FIG. 7

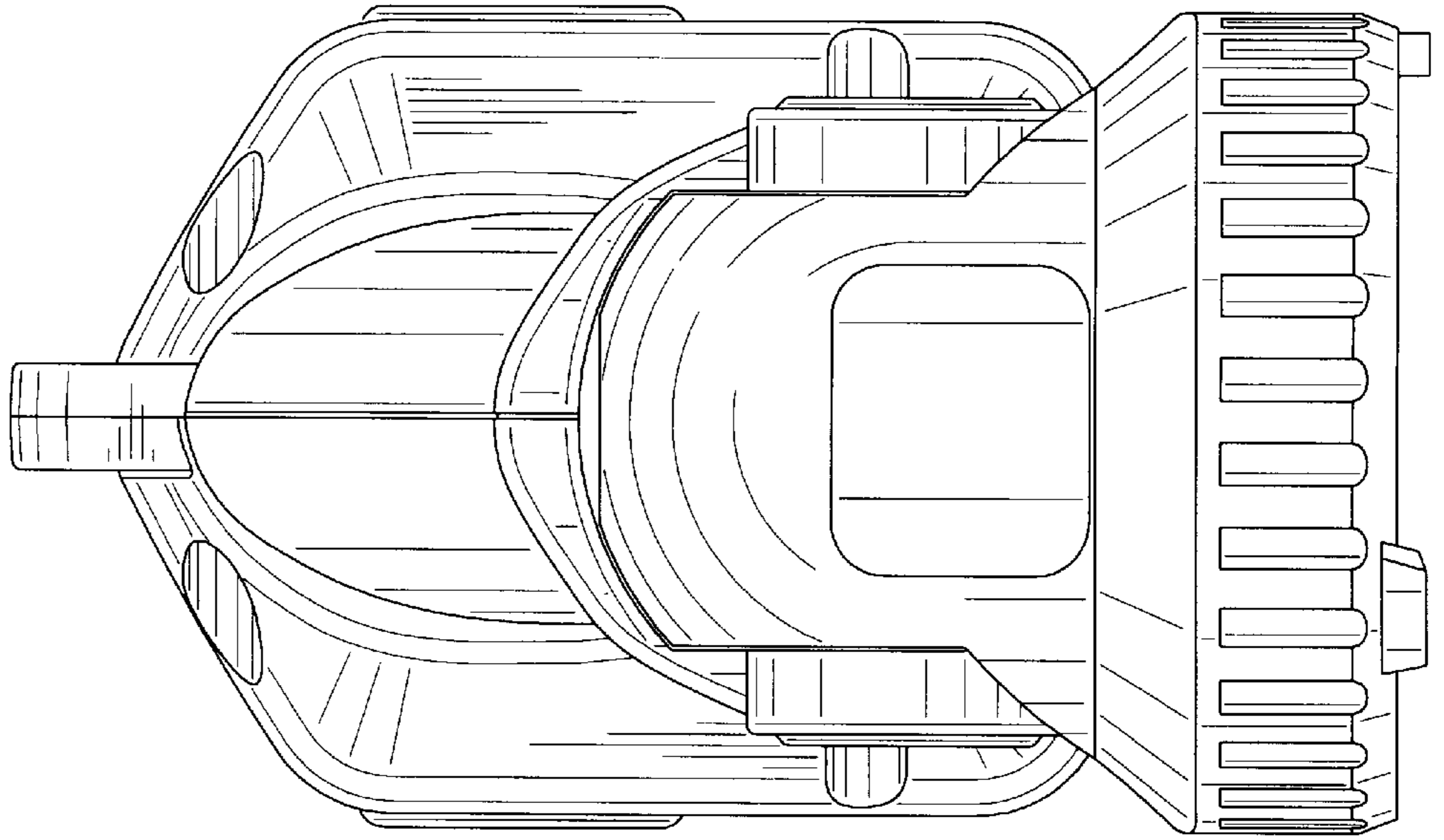


FIG. 6



FIG. 8

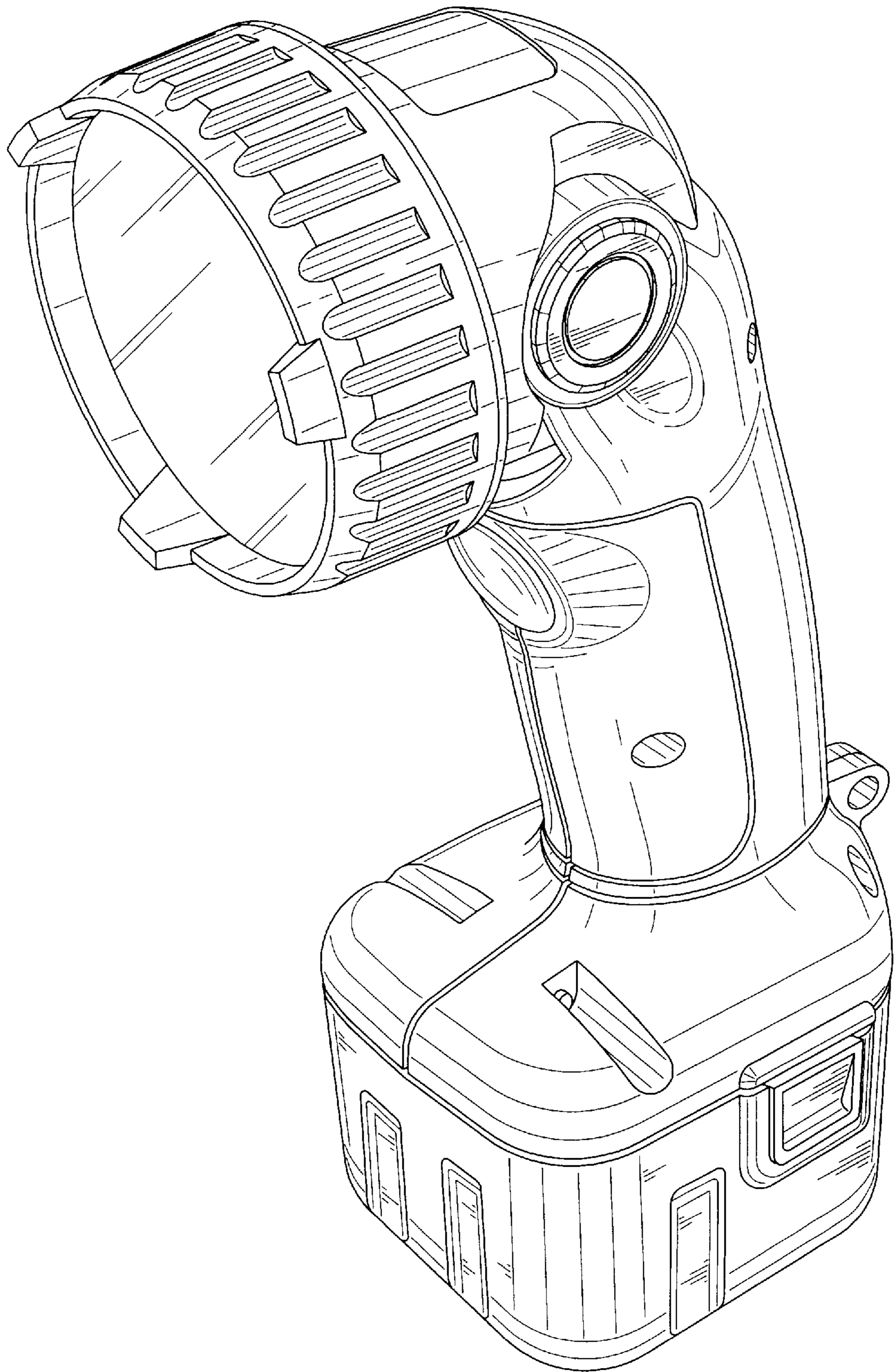


FIG. 9

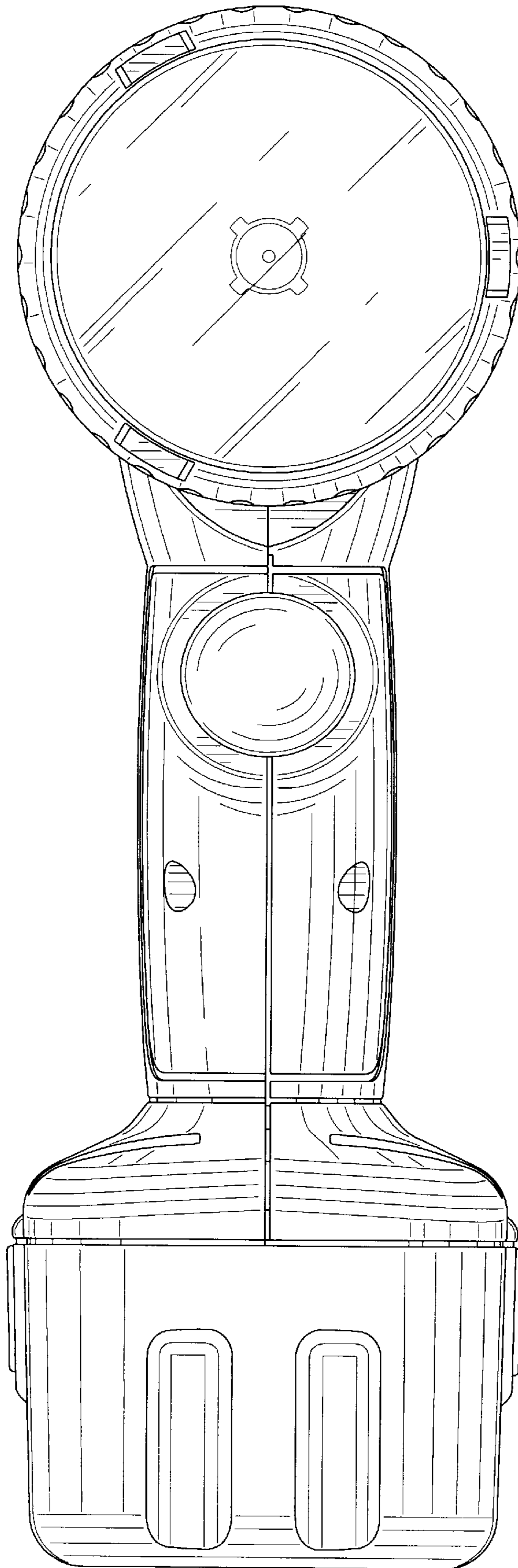


FIG. 10

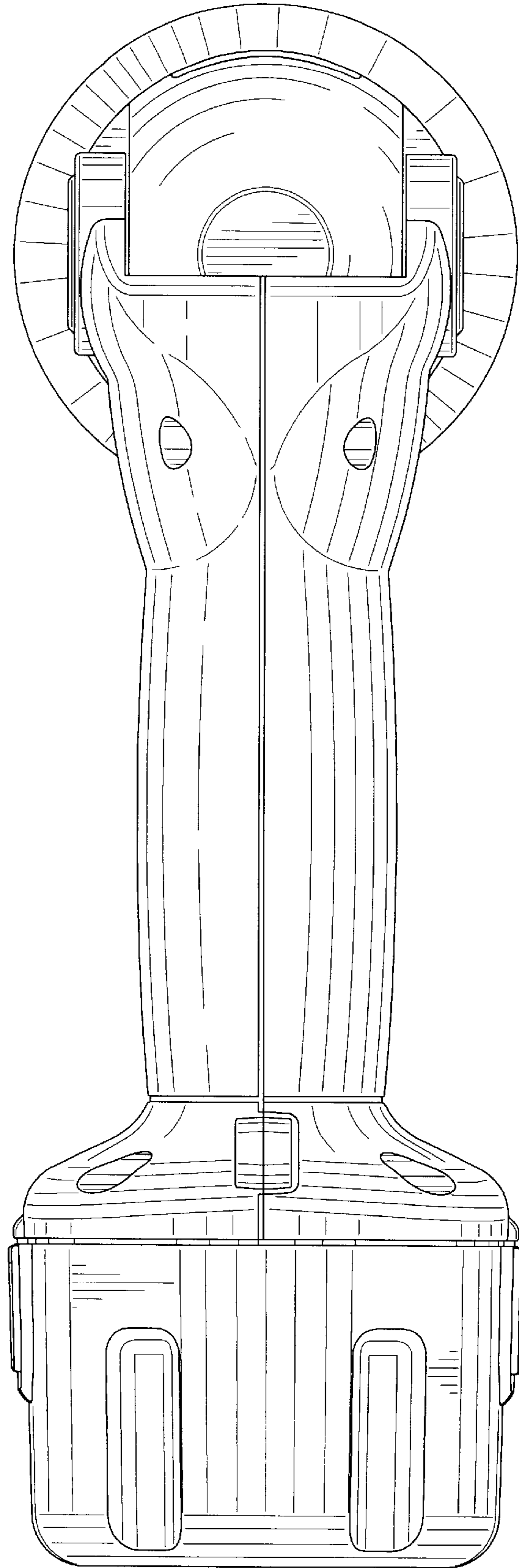


FIG. 11

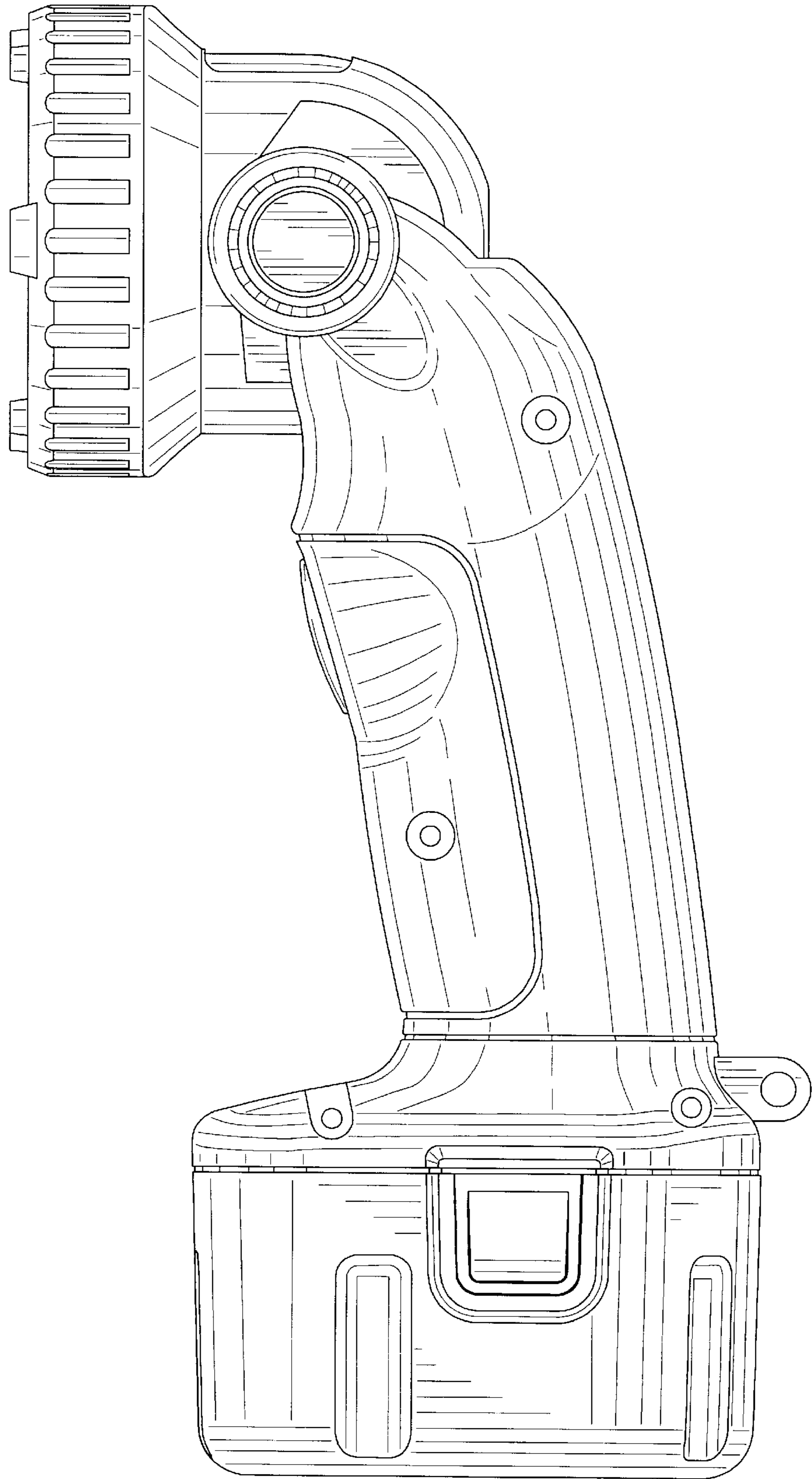
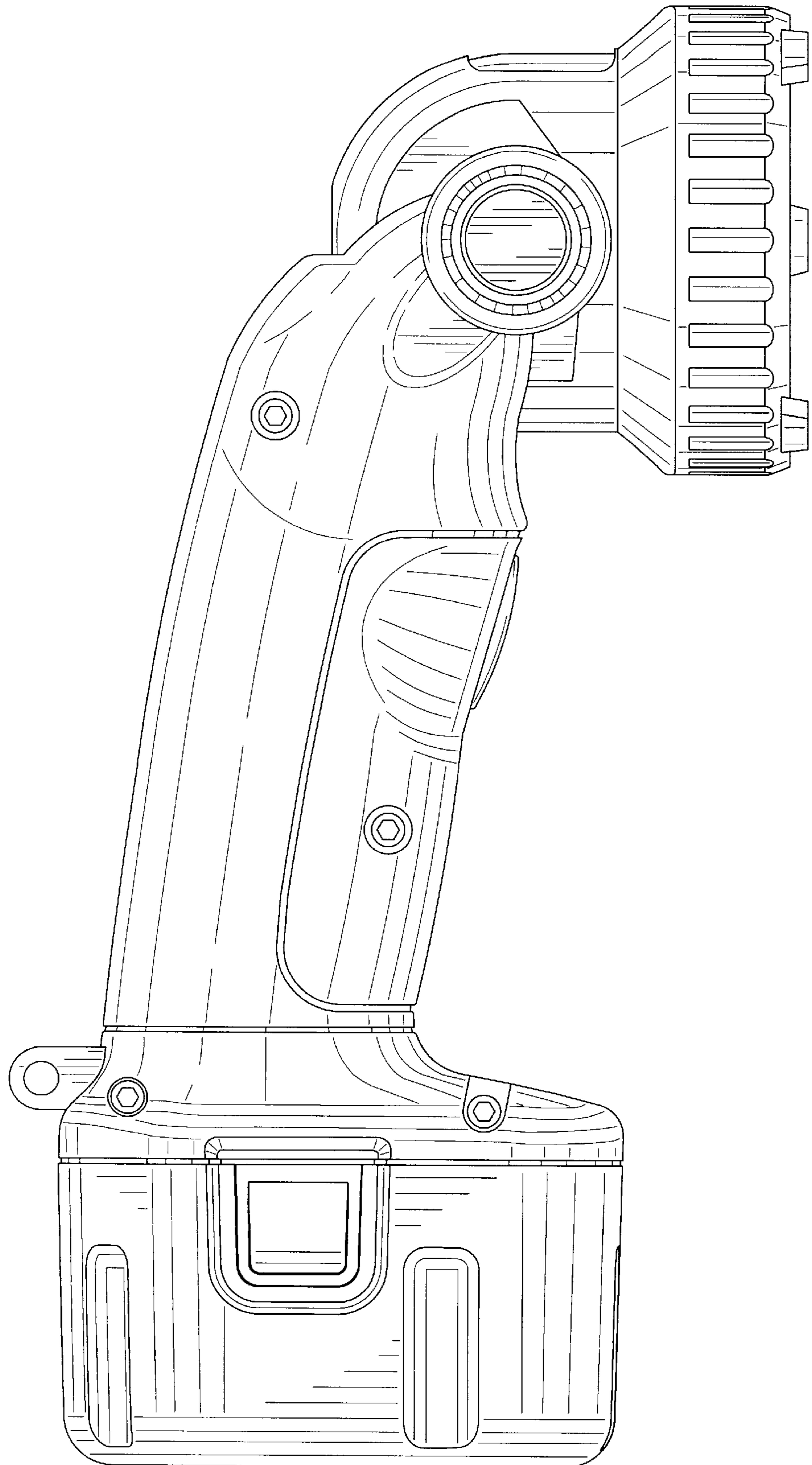




FIG. 12



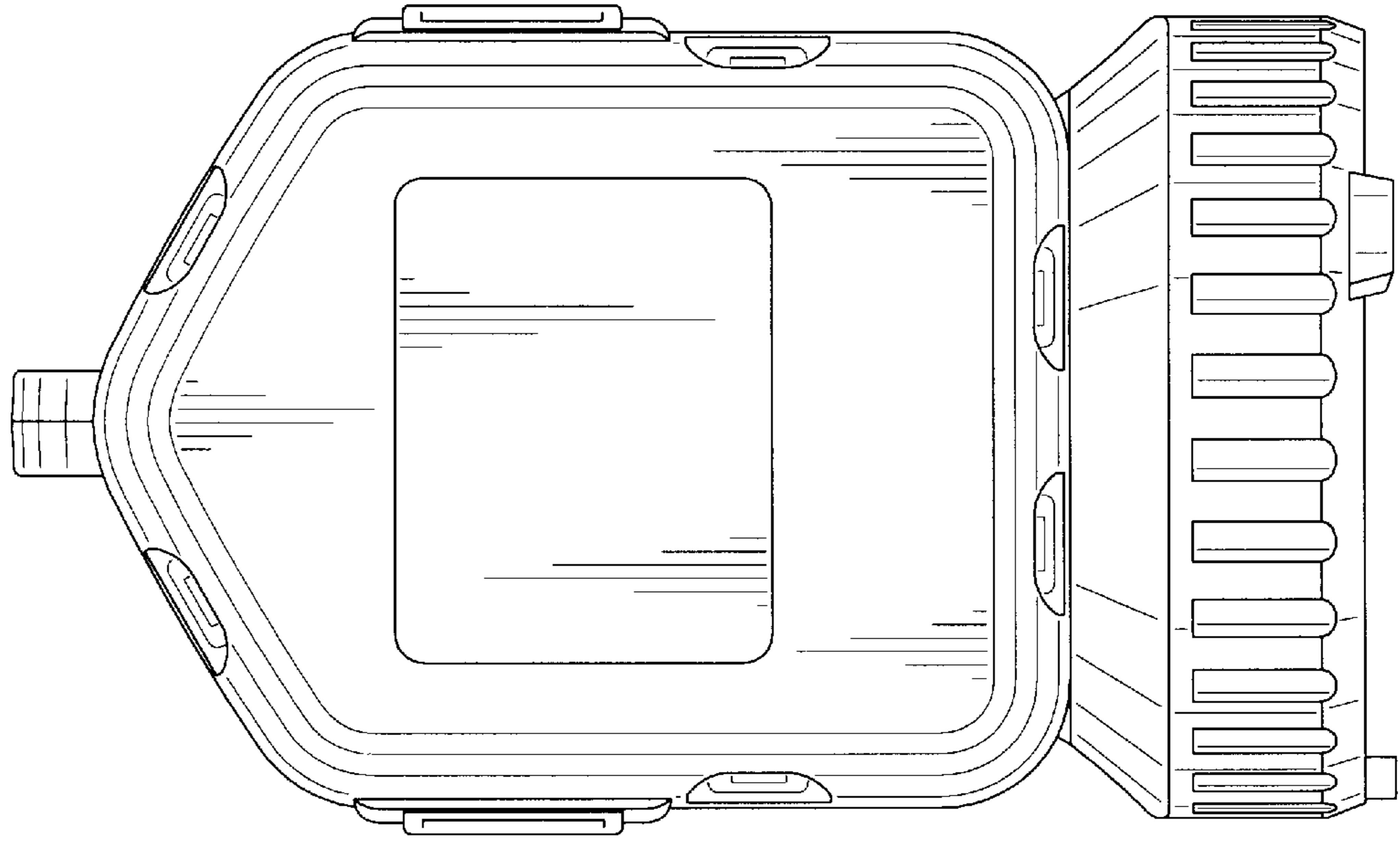


FIG. 14

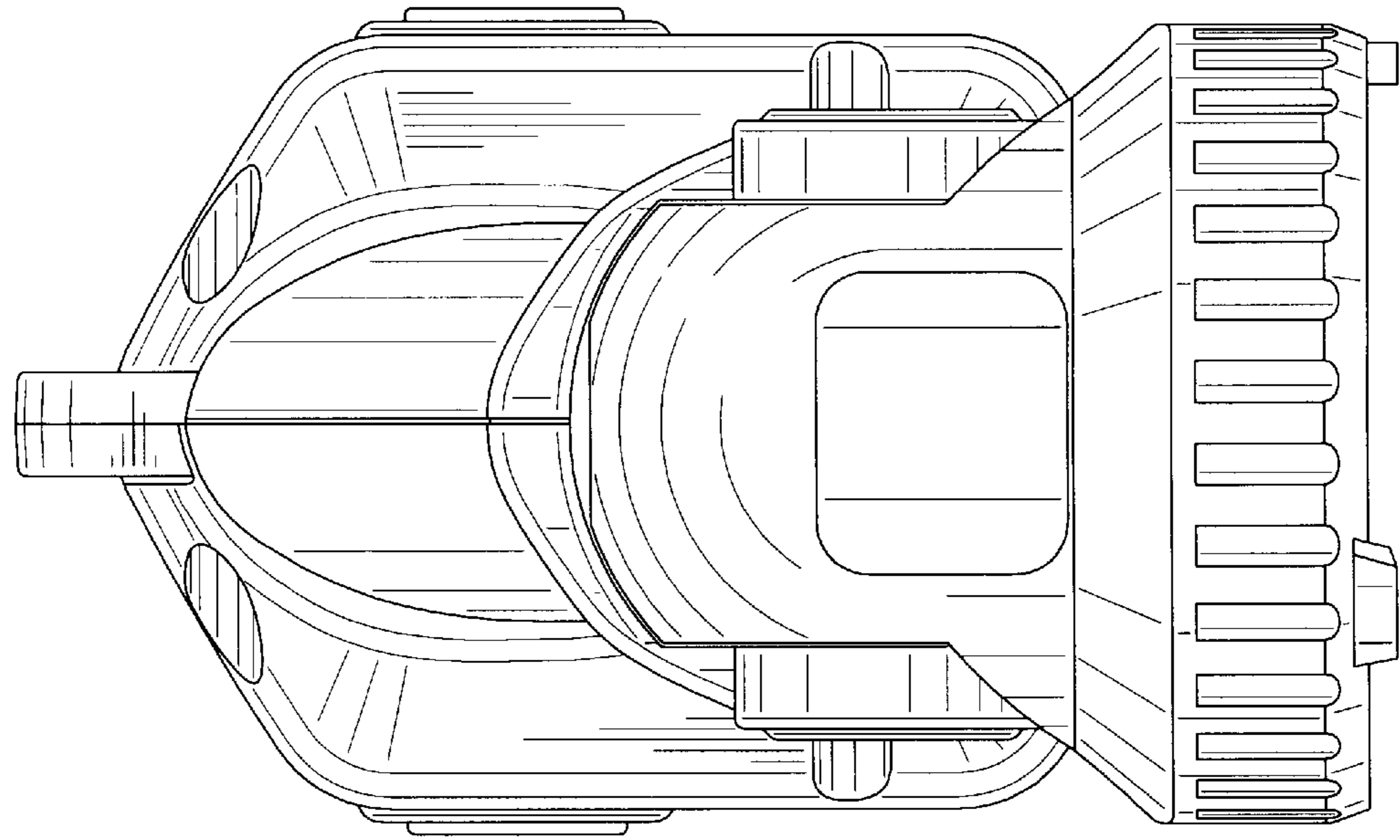


FIG. 13

FIG. 15

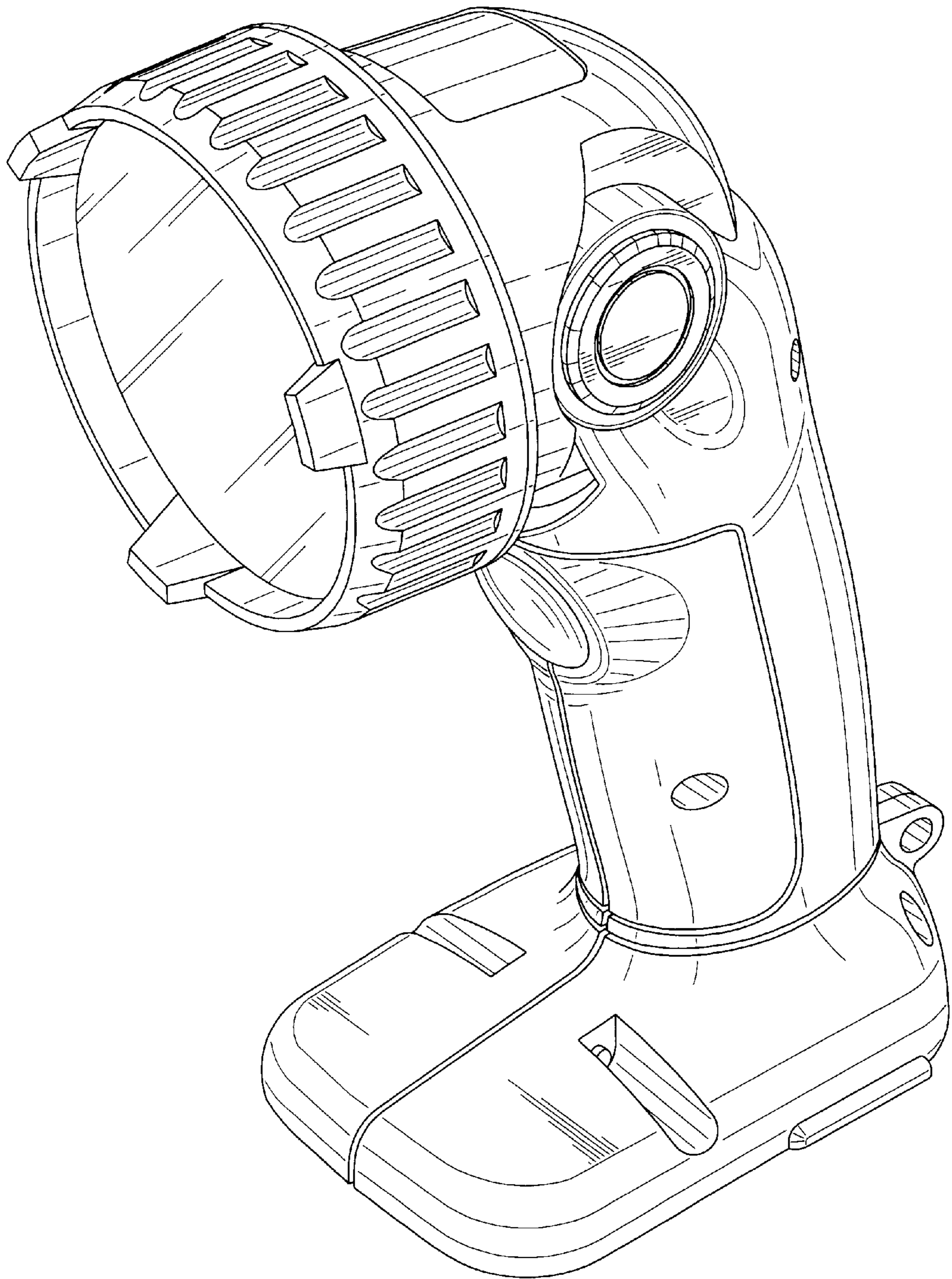


FIG. 16

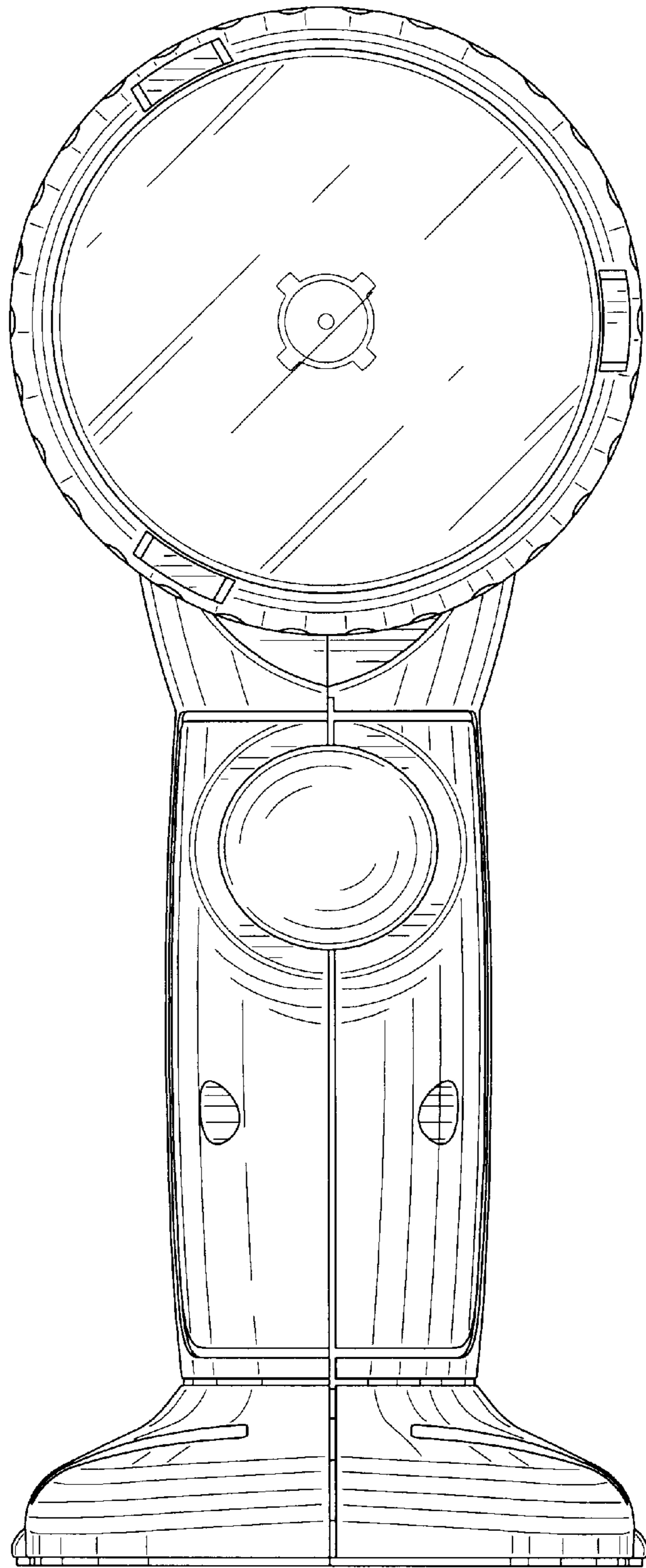




FIG. 17

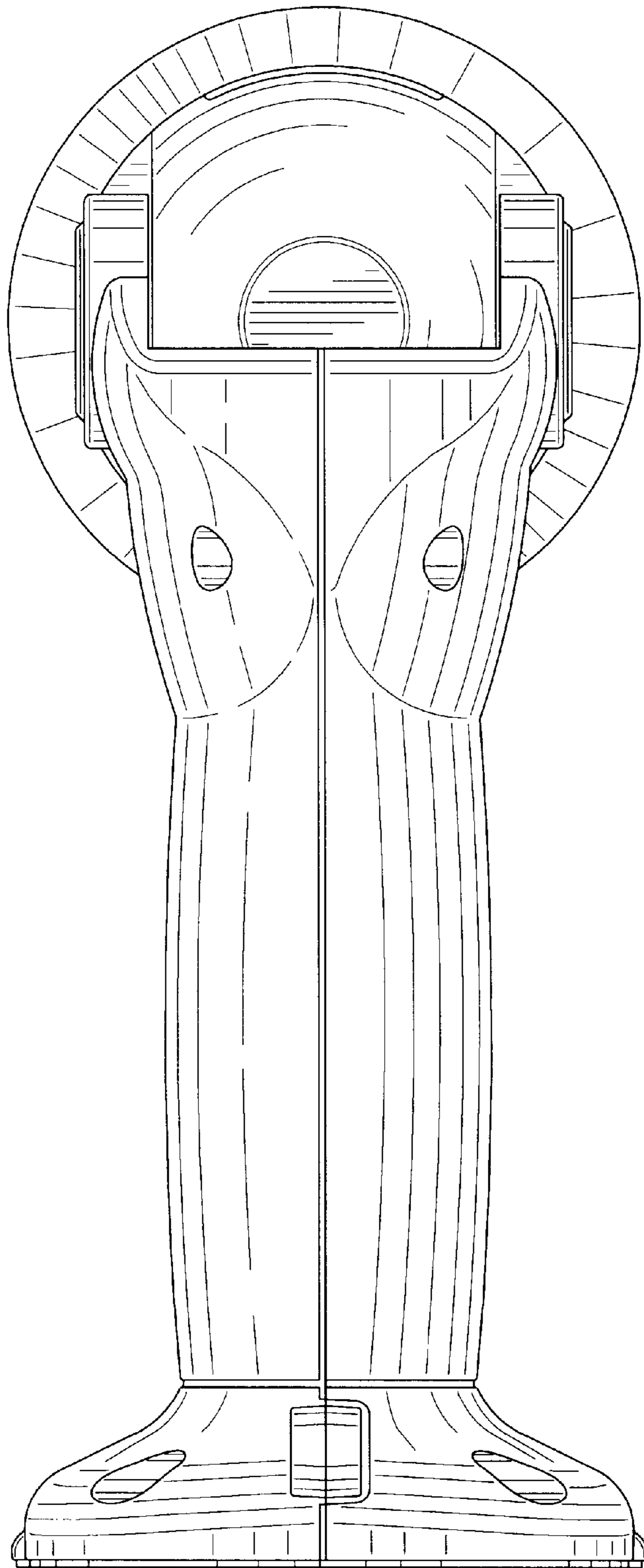


FIG. 18

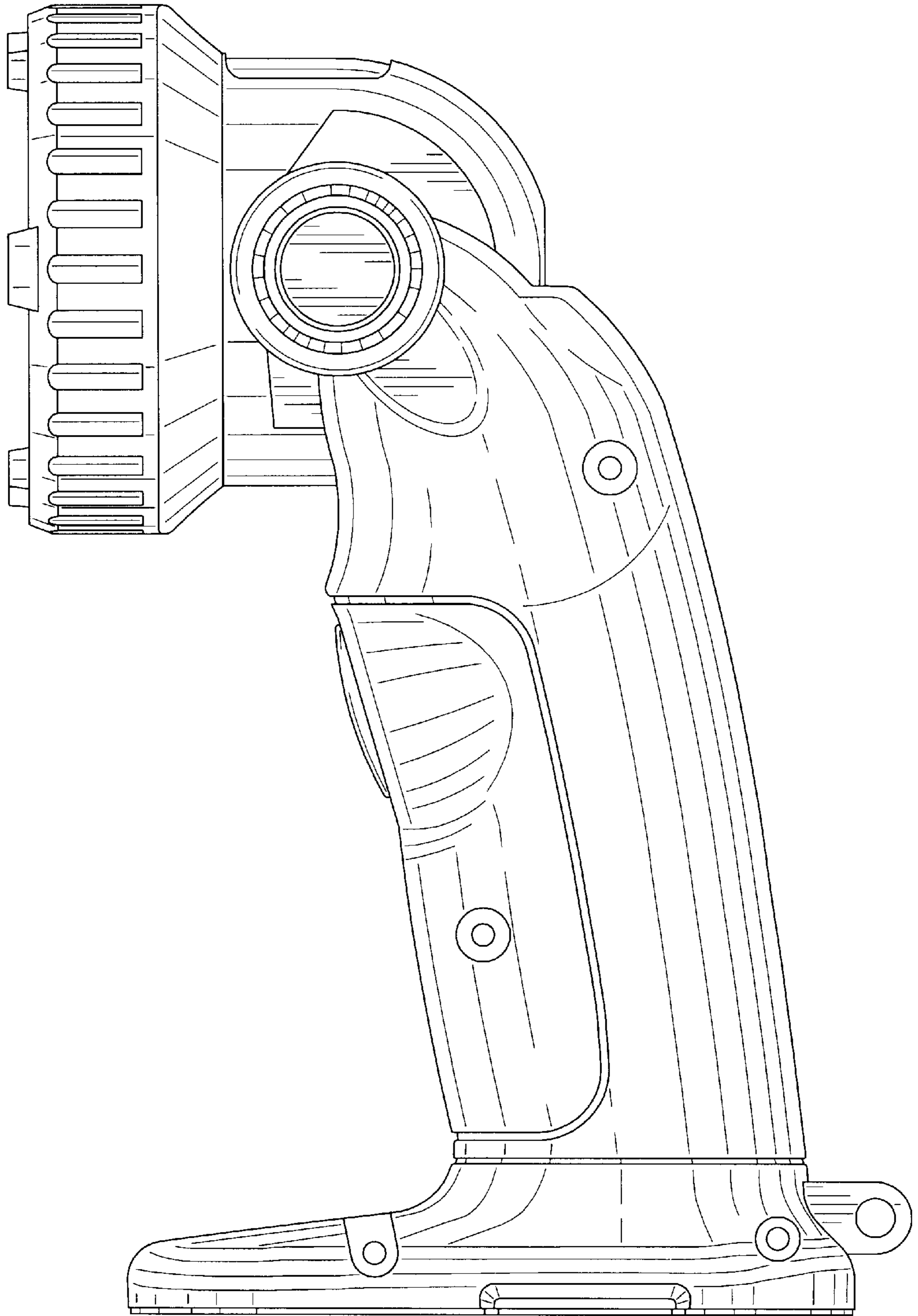
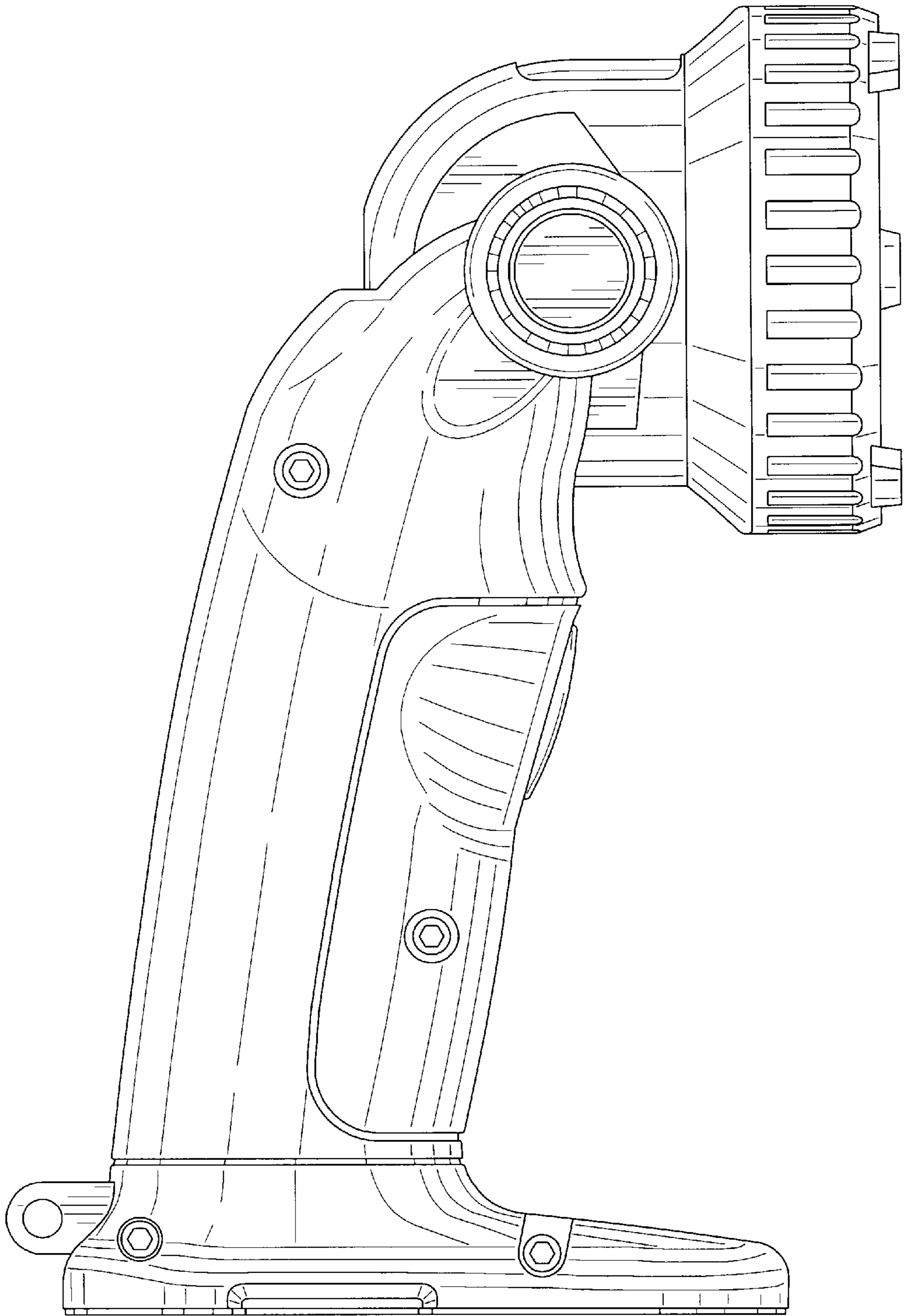


FIG. 19



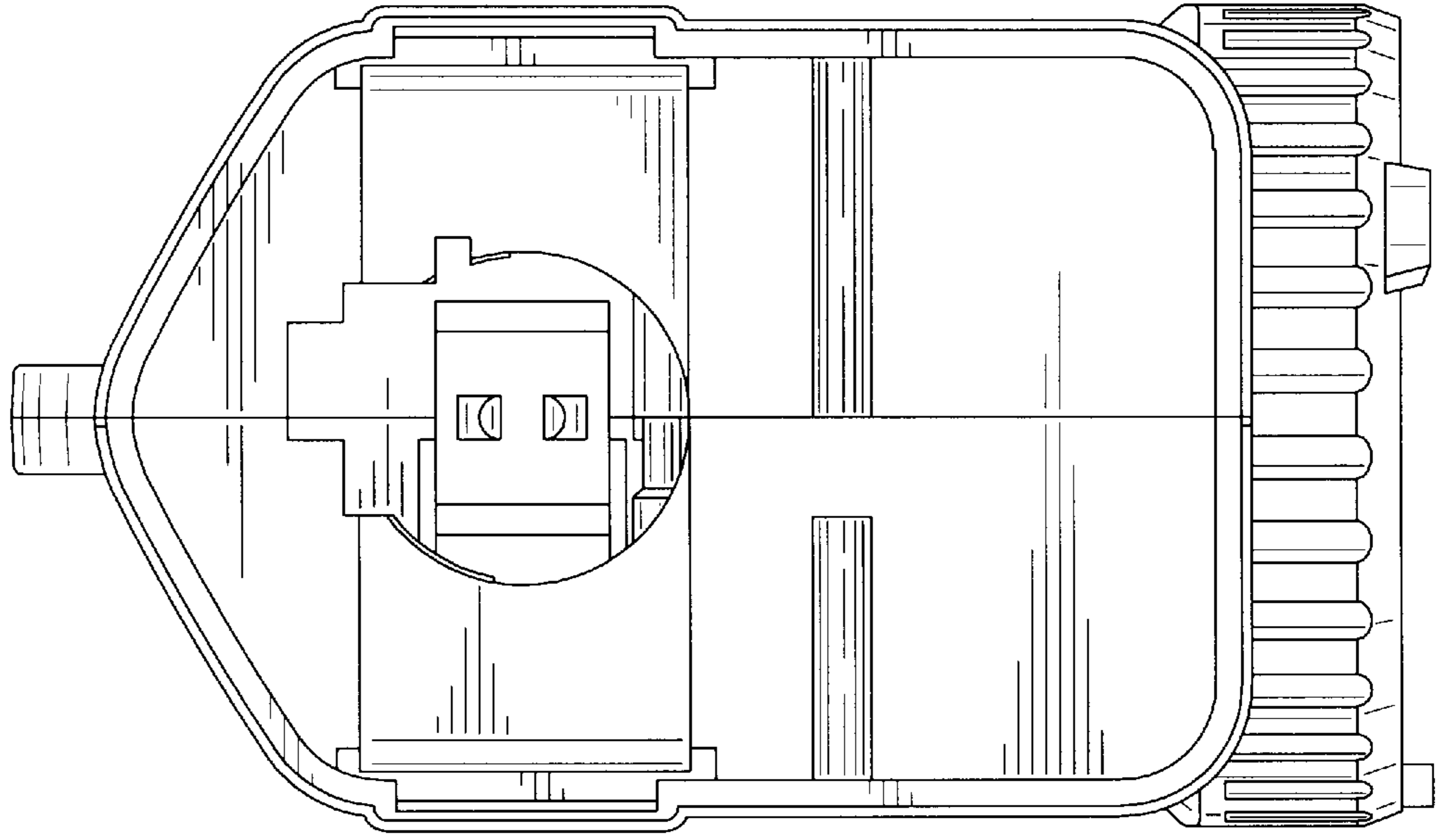


FIG. 21

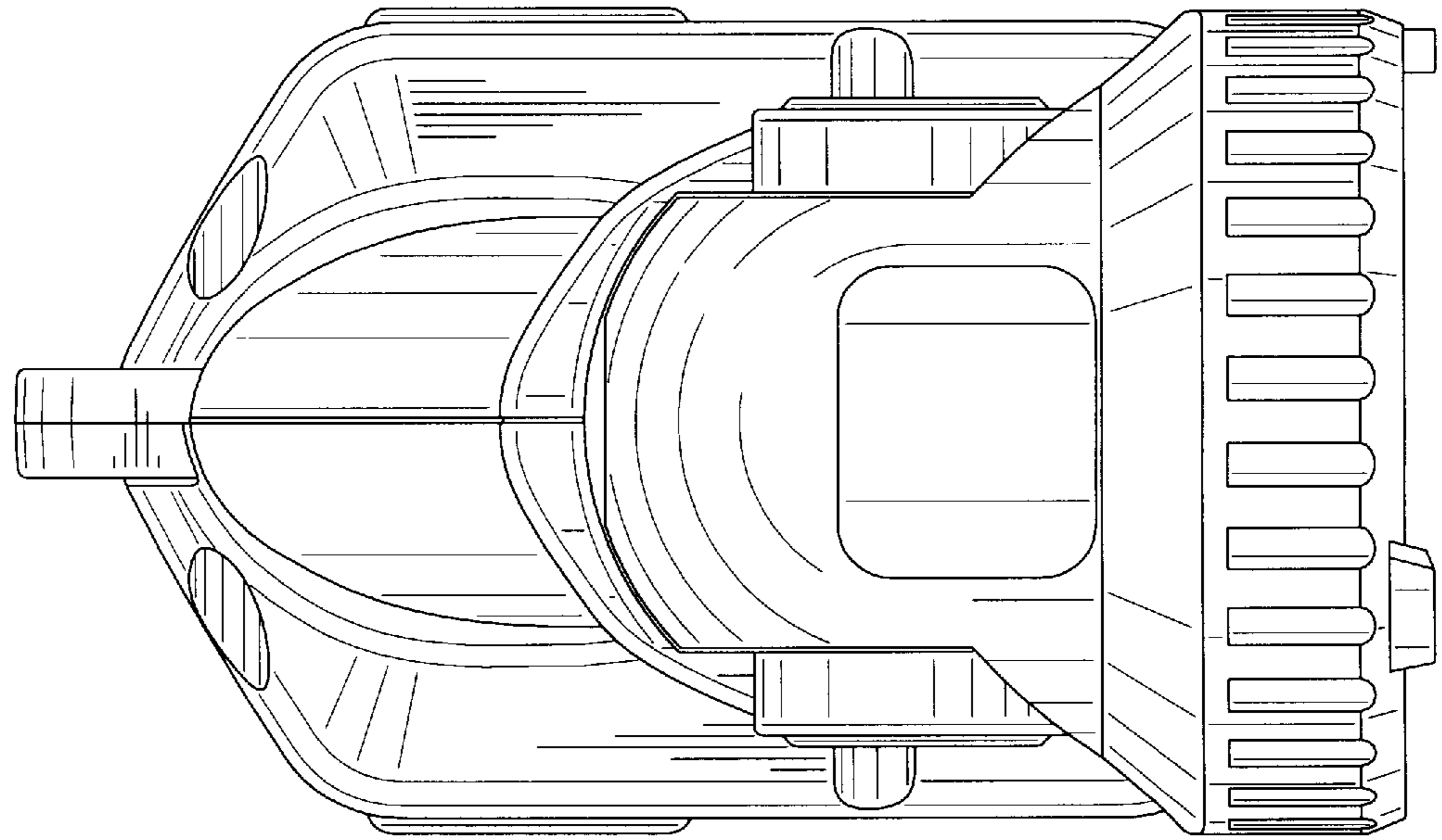


FIG. 20



FIG. 22

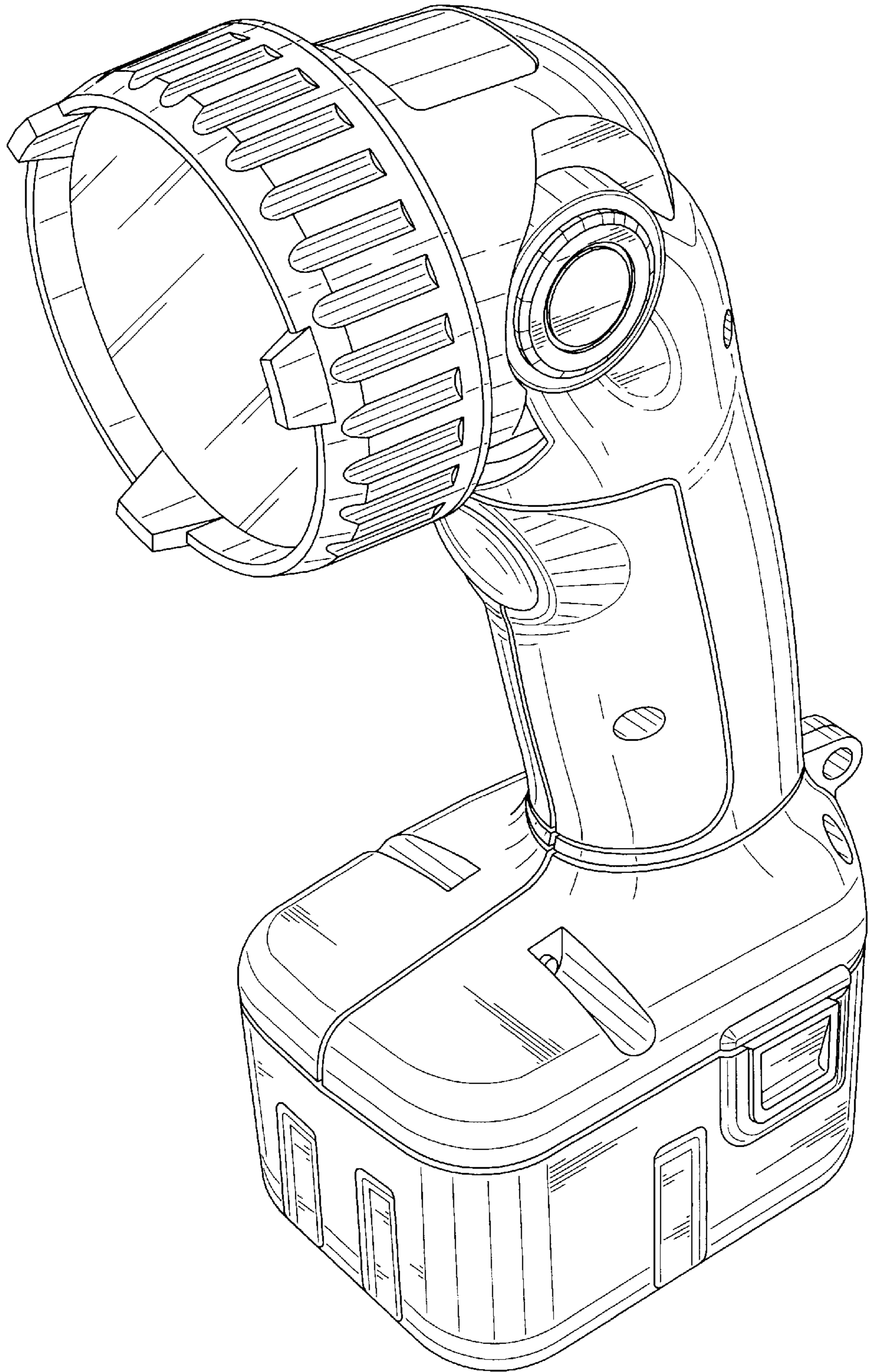


FIG. 23

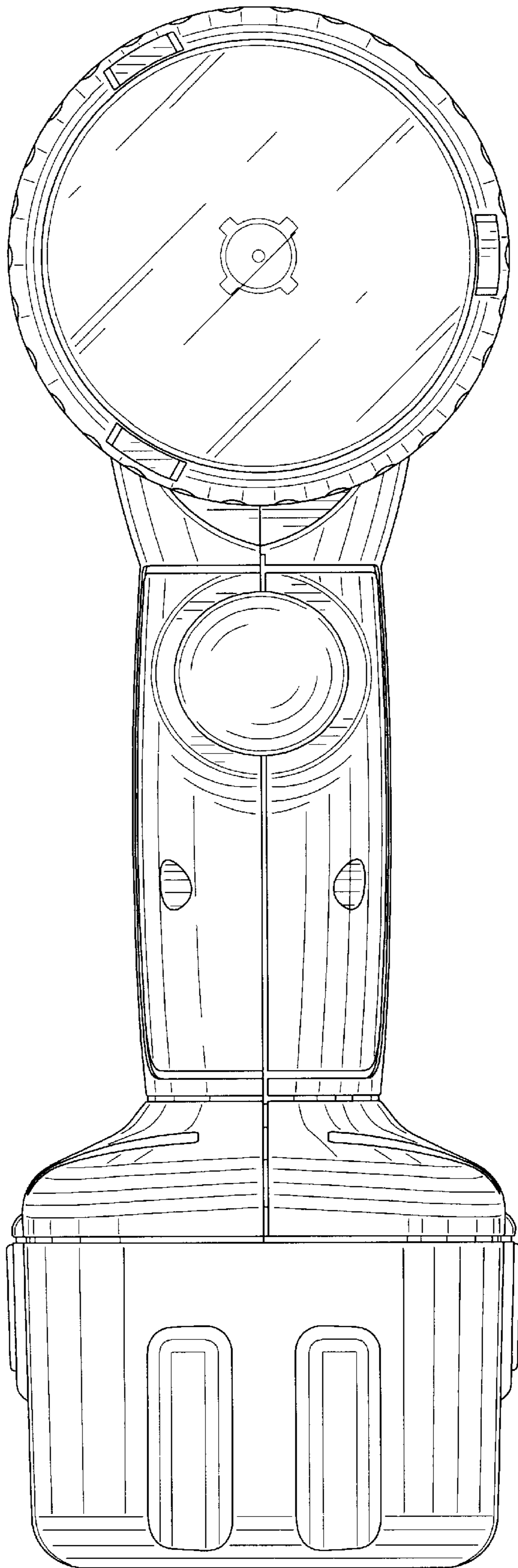


FIG. 24

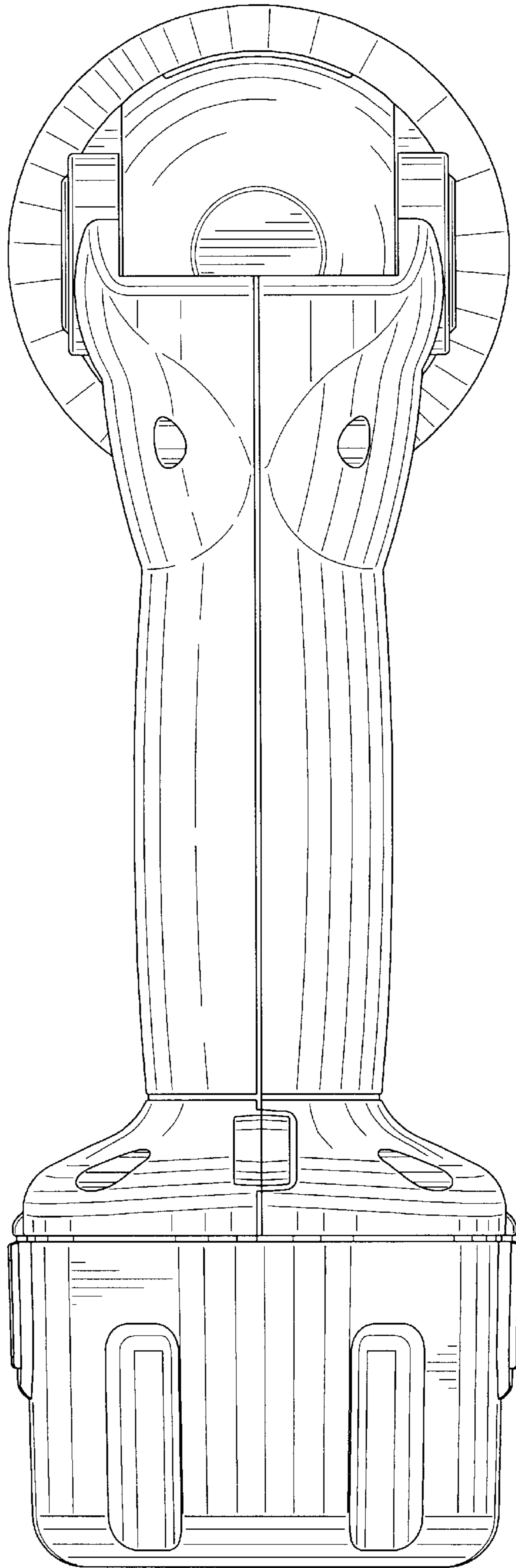


FIG. 25

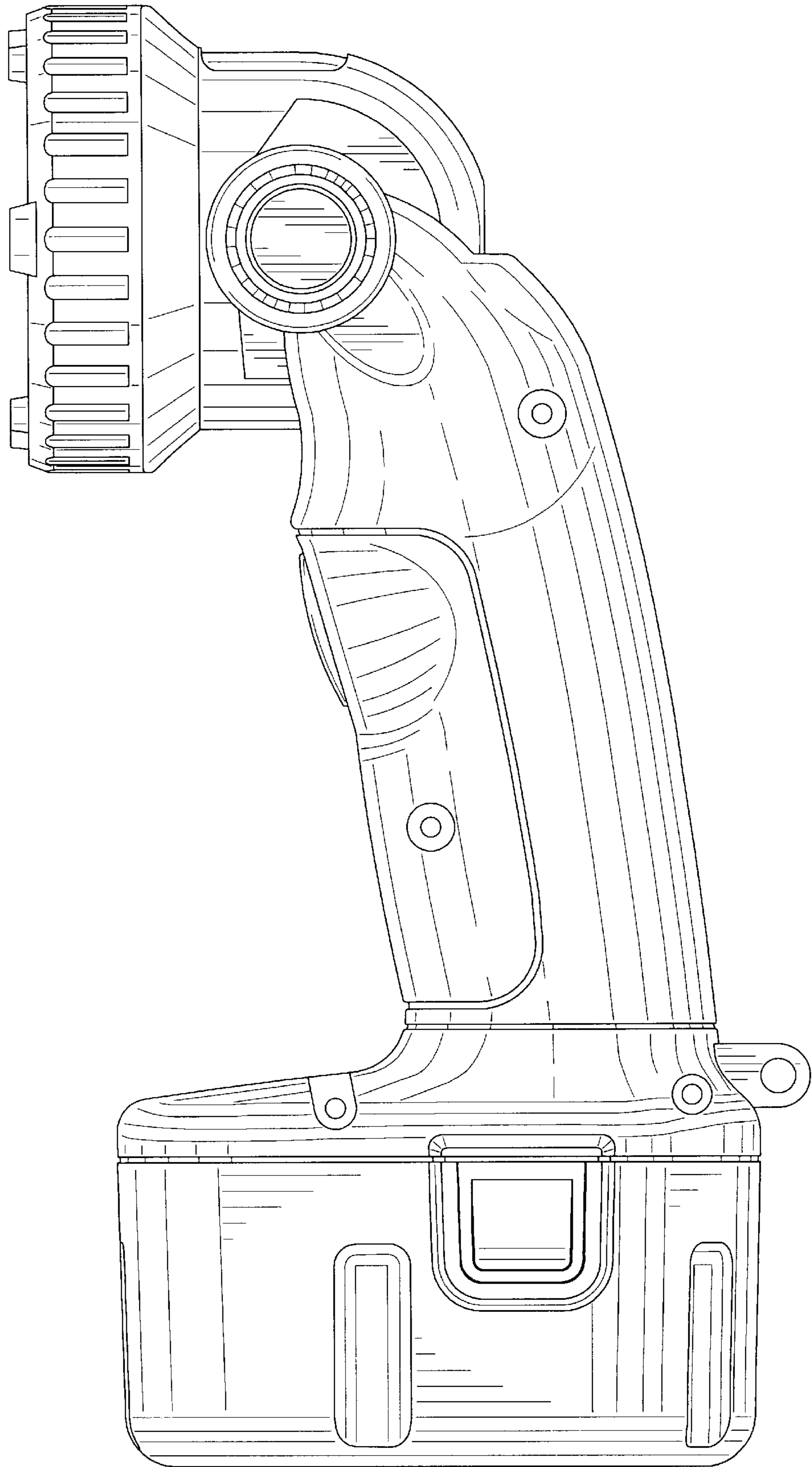




FIG. 26

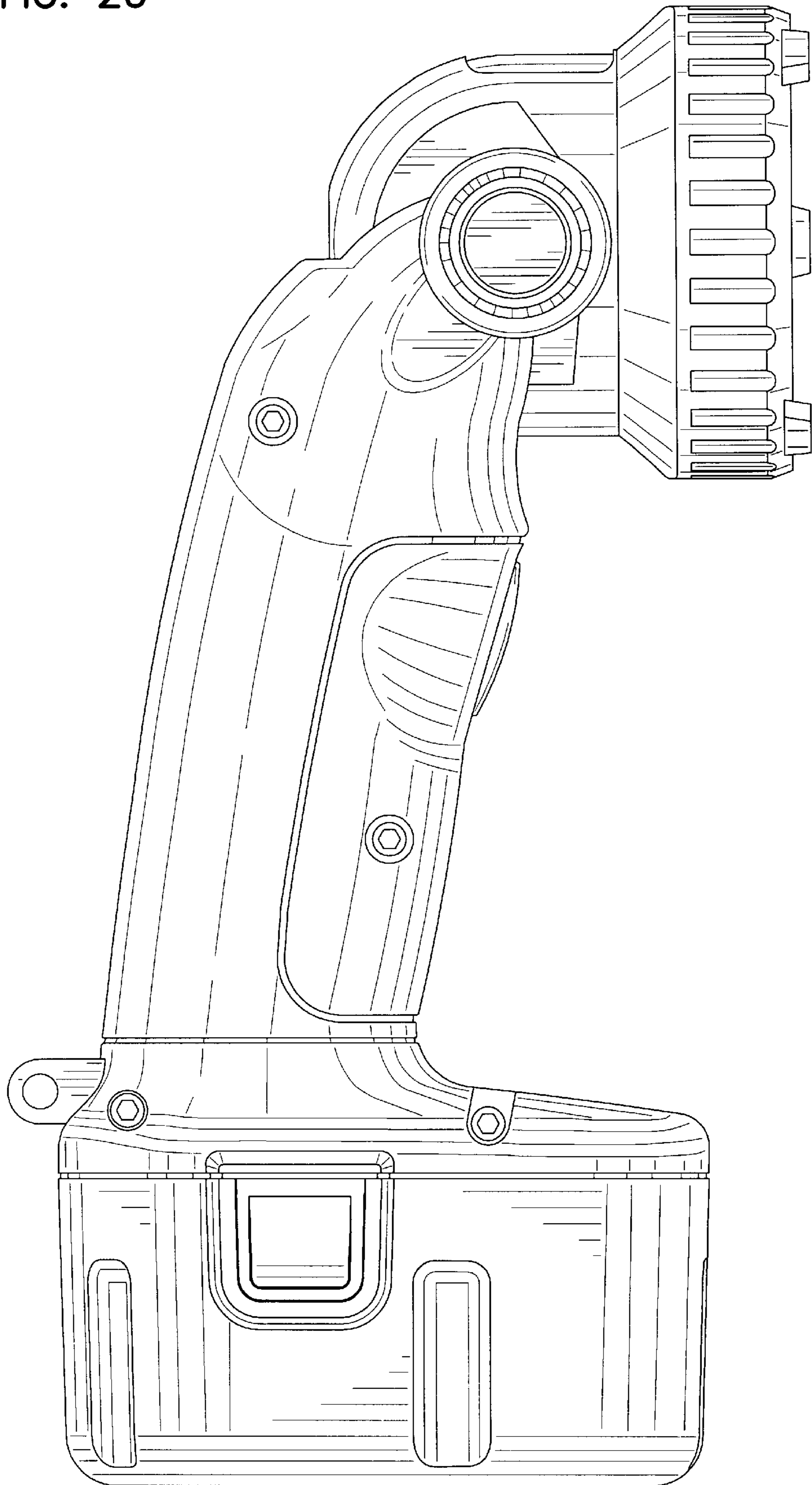


FIG. 28

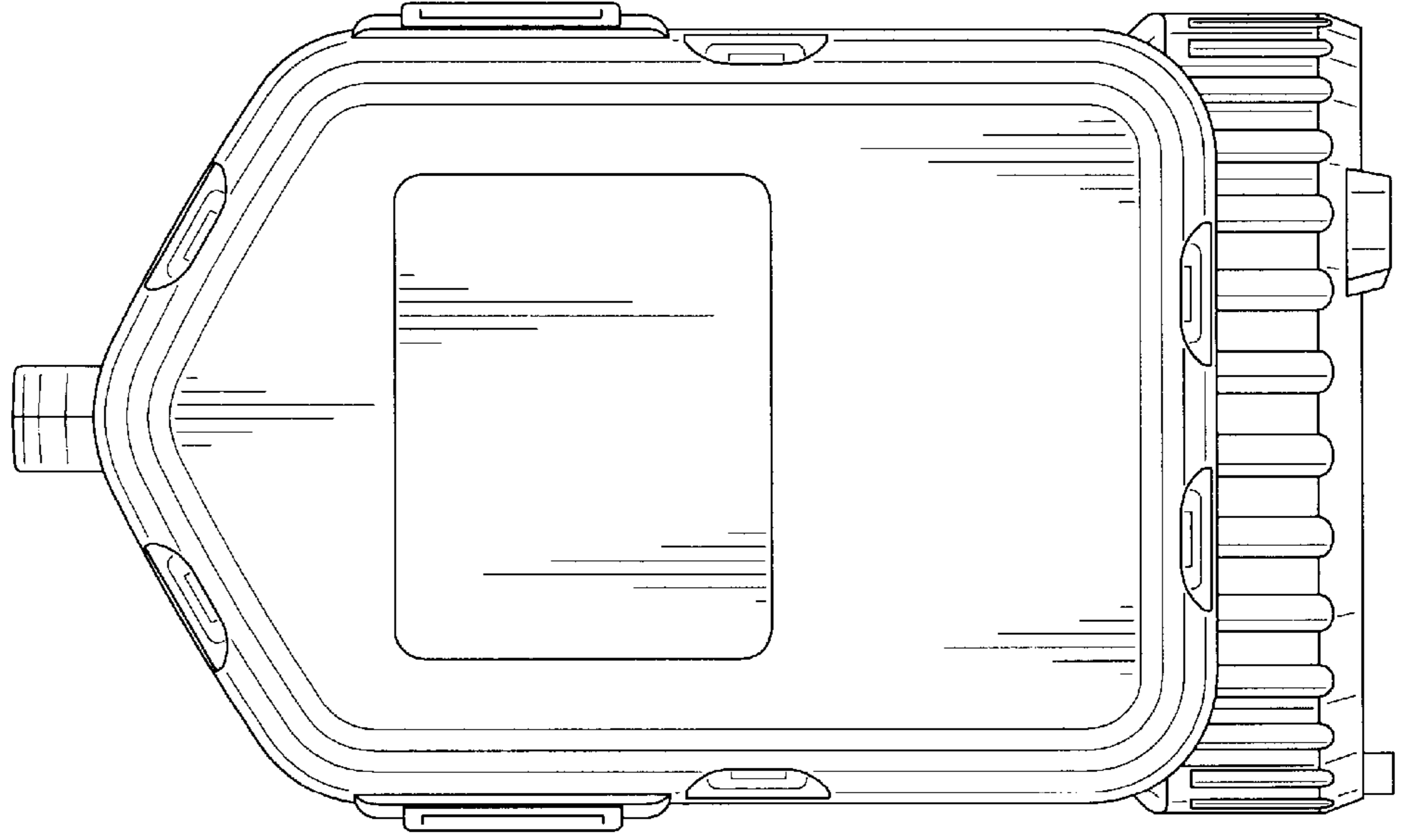


FIG. 27

