



US00D413992S

**United States Patent** [19]  
**Muhammad**

[11] **Patent Number: Des. 413,992**

[45] **Date of Patent: \*\* Sep. 14, 1999**

[54] **UMBRELLA LIGHT ATTACHMENT**

[76] Inventor: **Robert Muhammad**, 1840 Lexington Ave. #11A, New York, N.Y. 10029

[\*\*] Term: **14 Years**

[21] Appl. No.: **29/098,144**

[22] Filed: **Dec. 23, 1998**

[51] **LOC (6) Cl.** ..... **26-02**

[52] **U.S. Cl.** ..... **D26/38**

[58] **Field of Search** ..... D26/37-50; 362/102, 362/157, 158, 183-208

[56] **References Cited**

**U.S. PATENT DOCUMENTS**

D. 327,166	6/1992	Barker	.....	D26/38
D. 336,361	6/1993	Stanwood et al.	.....	D26/38
D. 404,156	1/1999	Headley et al.	.....	D26/38
1,051,370	10/1913	Hertz	.	
1,128,167	2/1915	Manson	.	
2,507,919	5/1950	Mazzeo	.	
5,361,195	11/1994	Chen	.....	362/397

*Primary Examiner*—Marcus A. Jackson  
*Attorney, Agent, or Firm*—Goldstein & Canino

[57] **CLAIM**

The ornamental design for an umbrella light attachment, as shown and described.

**DESCRIPTION**

FIG. 1 is a diagrammatic perspective view of the umbrella light attachment in full lines with an umbrella shown in broken lines representing environmental association matter being for illustrative purposes only and forming no part of the claimed invention.

FIG. 2 is a front elevational view of the umbrella light attachment.

FIG. 3 is a rear elevational view thereof.

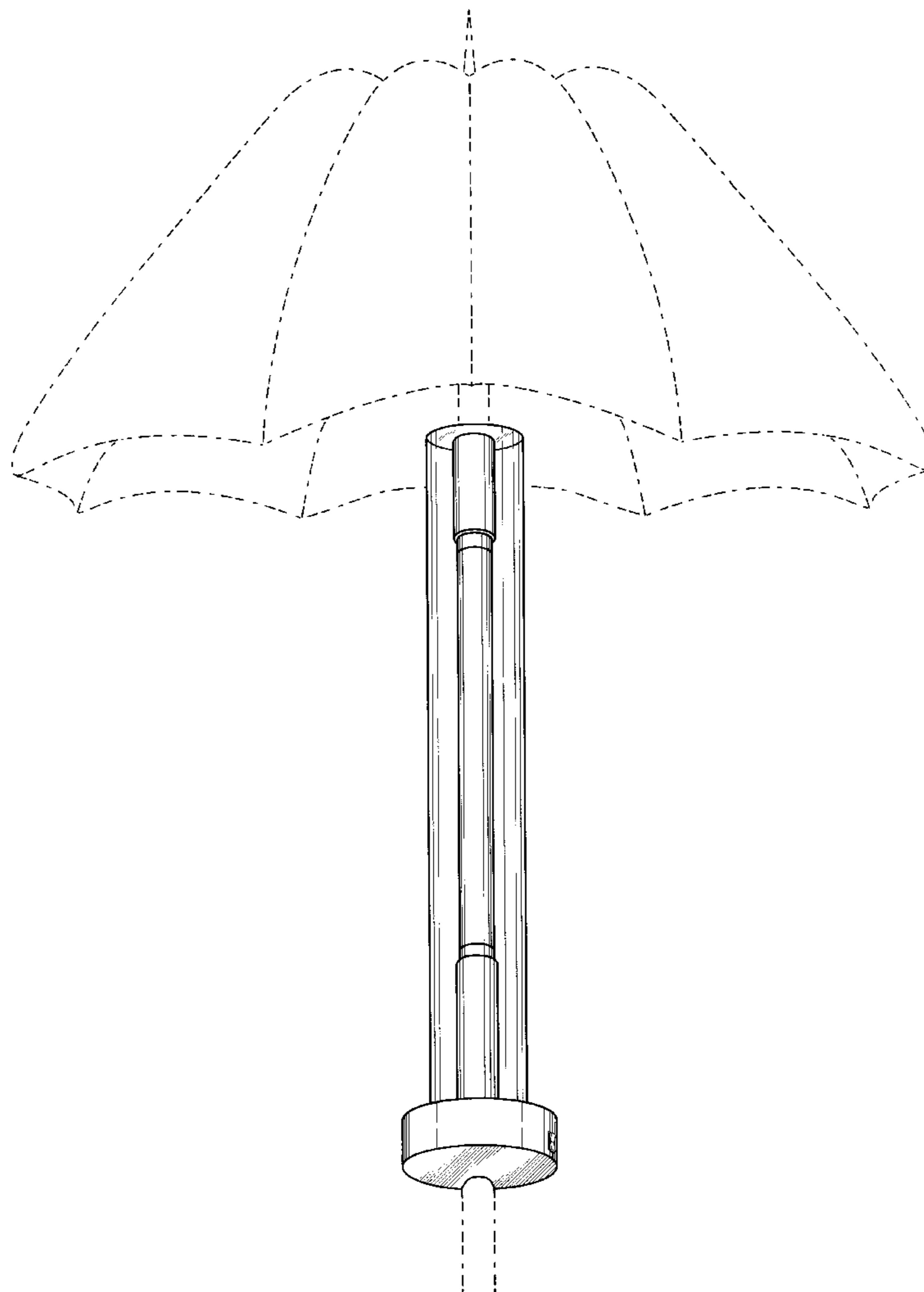
FIG. 4 is a top plan view thereof.

FIG. 5 is a bottom plan view thereof.

FIG. 6 is a right side elevational view of the umbrella light attachment; and,

FIG. 7 is a left side elevational view thereof.

**1 Claim, 3 Drawing Sheets**



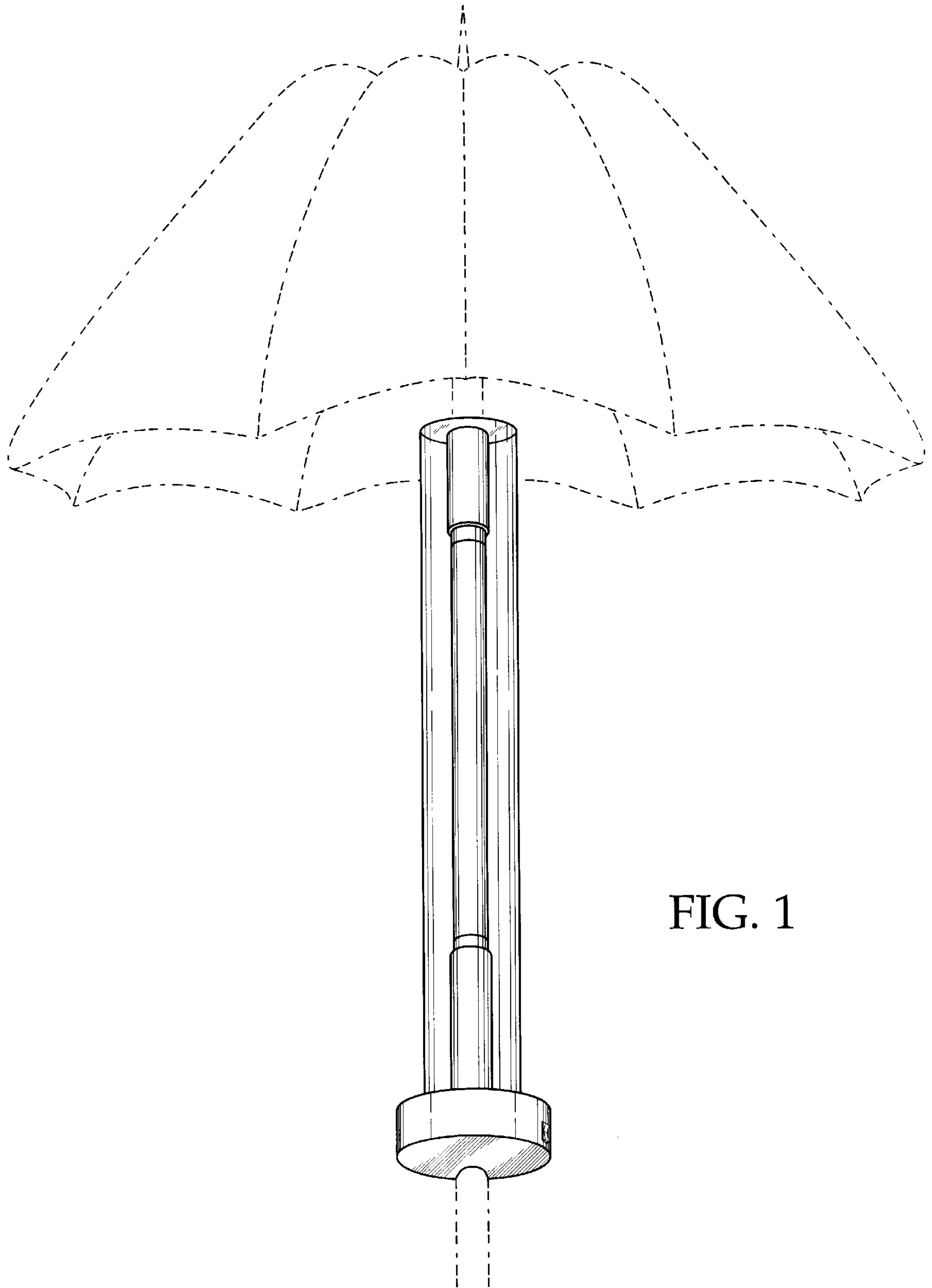


FIG. 1

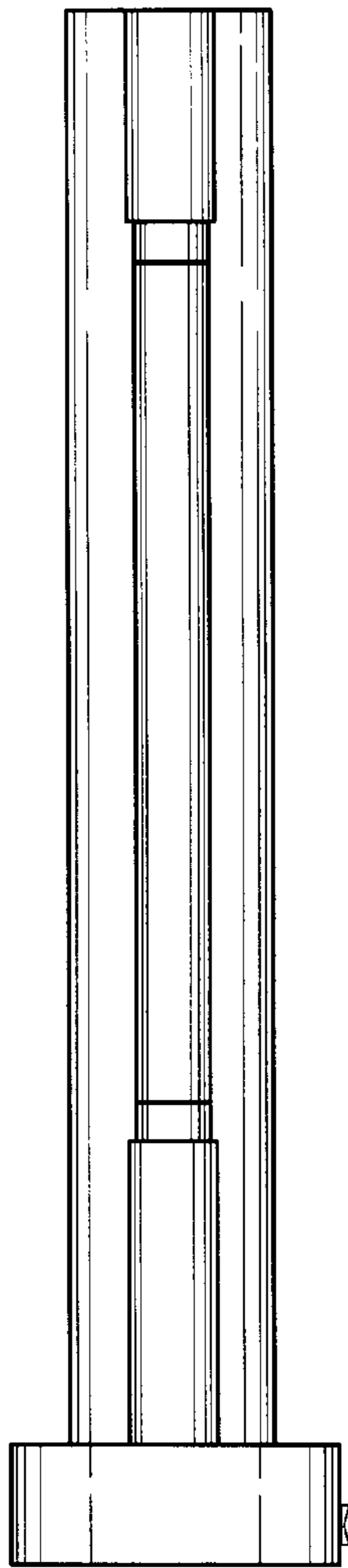


FIG. 2

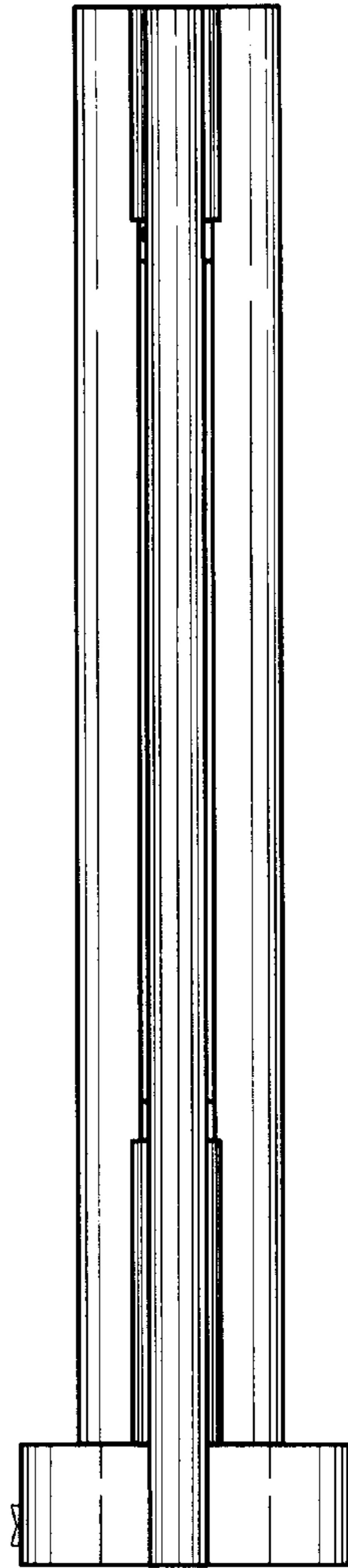


FIG. 3

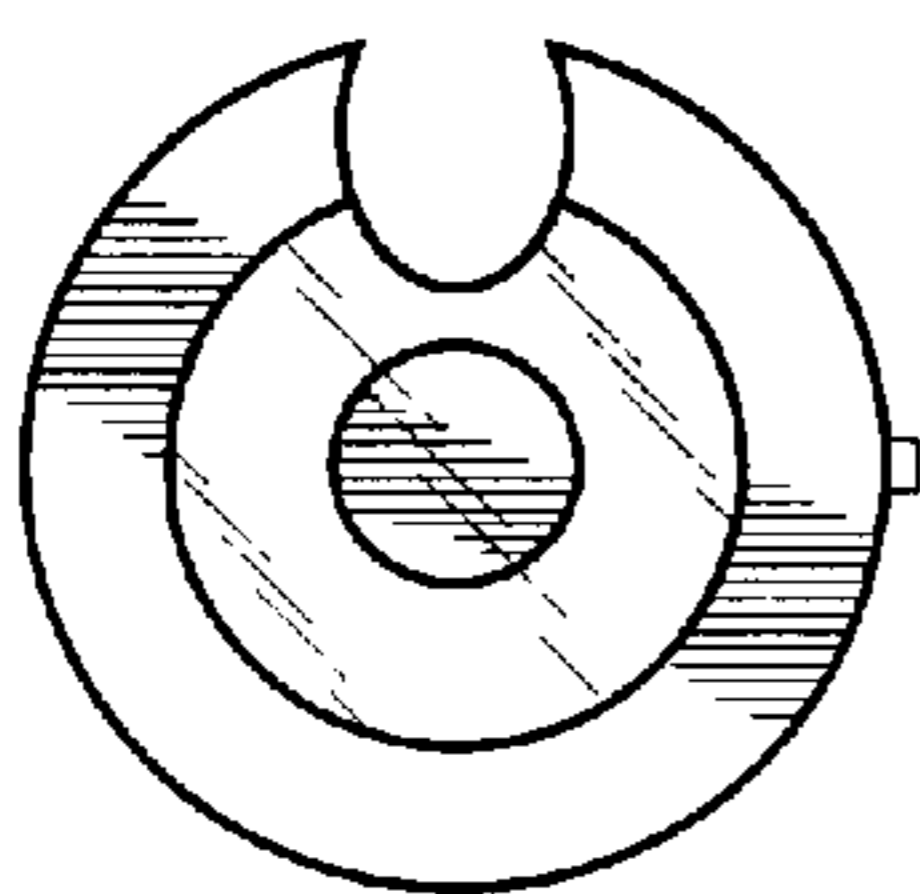


FIG. 4

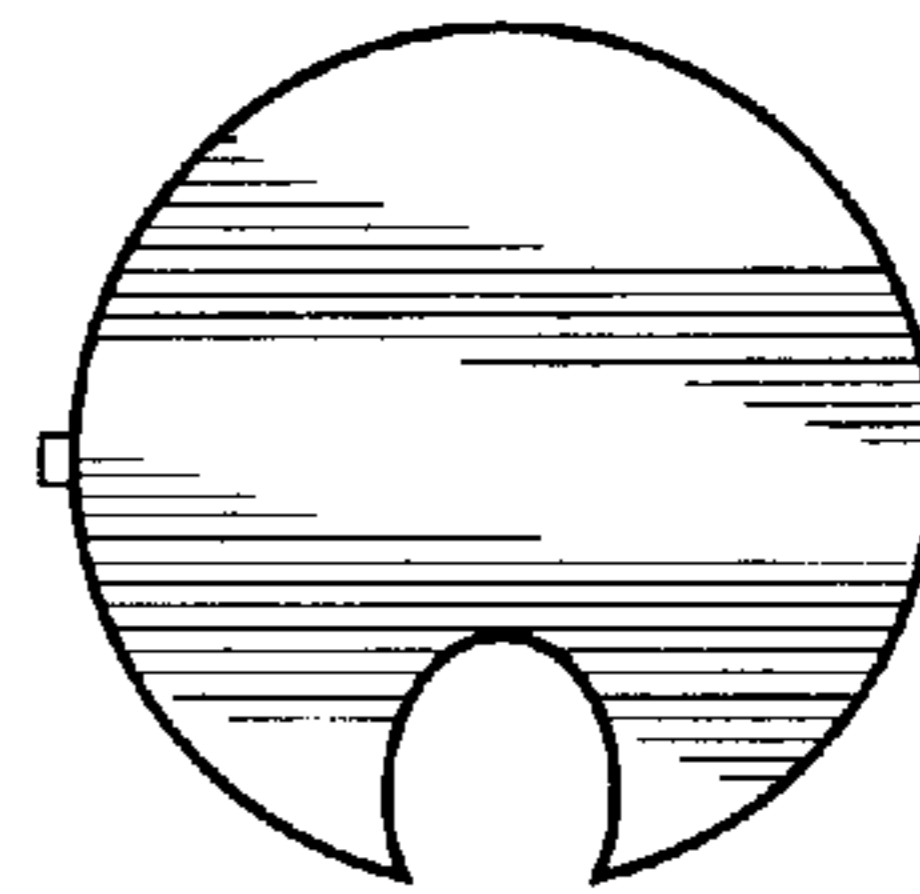


FIG. 5

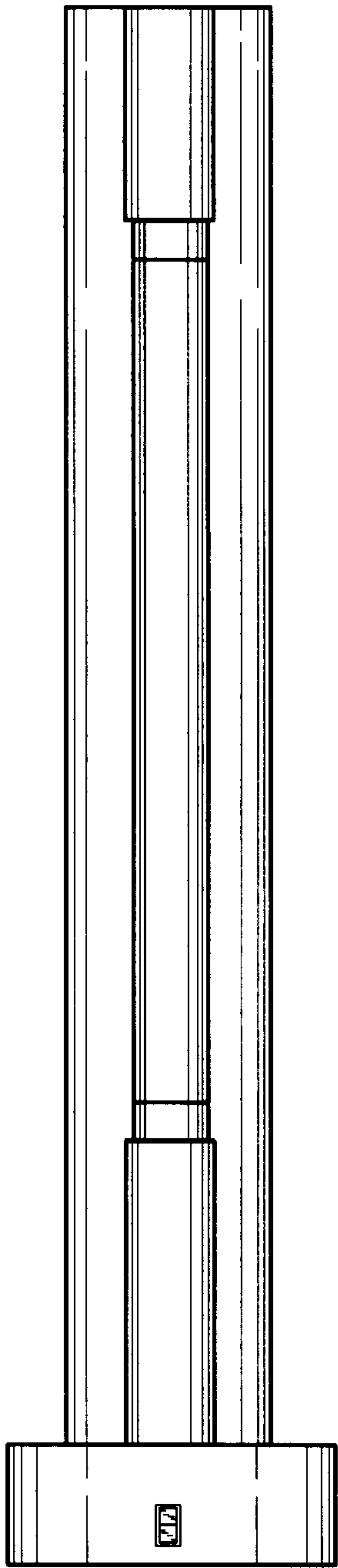


FIG. 6

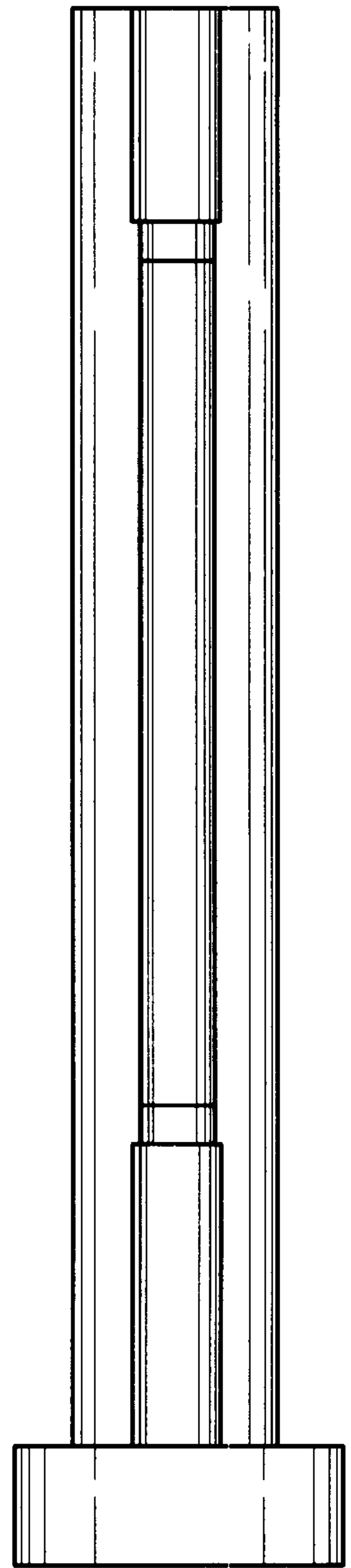


FIG. 7