



US00D413990S

United States Patent [19]
Bartnicki et al.

[11] **Patent Number: Des. 413,990**
[45] **Date of Patent: ** Sep. 14, 1999**

[54] **FRONT FACE OF A LADDER TOP**

2192025 12/1987 United Kingdom .

[75] Inventors: **Frederick J. Bartnicki**, Greenville, Pa.;
James Hand, Glen Ellyn, Ill.; **Randall Bell**, River Forest, Ill.; **John J. Dylik**,
LaGrange, Ill.; **Edward E. Heald**,
Greenville, Pa.

Primary Examiner—Doris Clark
Attorney, Agent, or Firm—Howrey & Simon; Michael J. Bell; Erik B. Milch

[73] Assignee: **Werner Co.**, Greenville, Pa.

[**] Term: **14 Years**

[57] **CLAIM**

The ornamental design for a front face of a ladder top, as shown and described.

[21] Appl. No.: **29/096,139**

[22] Filed: **Nov. 5, 1998**

[51] **LOC (6) Cl.** **25-04**

[52] **U.S. Cl.** **D25/68**

[58] **Field of Search** D25/68; 248/238,
248/210; 182/129, 173

DESCRIPTION

FIG. 1 is a perspective view of the front face of a ladder top showing our new design;

FIG. 2 is a perspective view of a second embodiment of the front face of a ladder top;

FIG. 3 is a perspective view of a third embodiment of the front face of a ladder top;

FIG. 4 is a perspective view of a fourth embodiment of the front face of a ladder top;

FIG. 5 is a perspective view of a fifth embodiment of the front face of a ladder top; and,

FIG. 6 is a perspective view of a sixth embodiment of the front face of a ladder top.

The broken lines are for illustrative purposes only, and form no part of the claimed design.

[56] **References Cited**

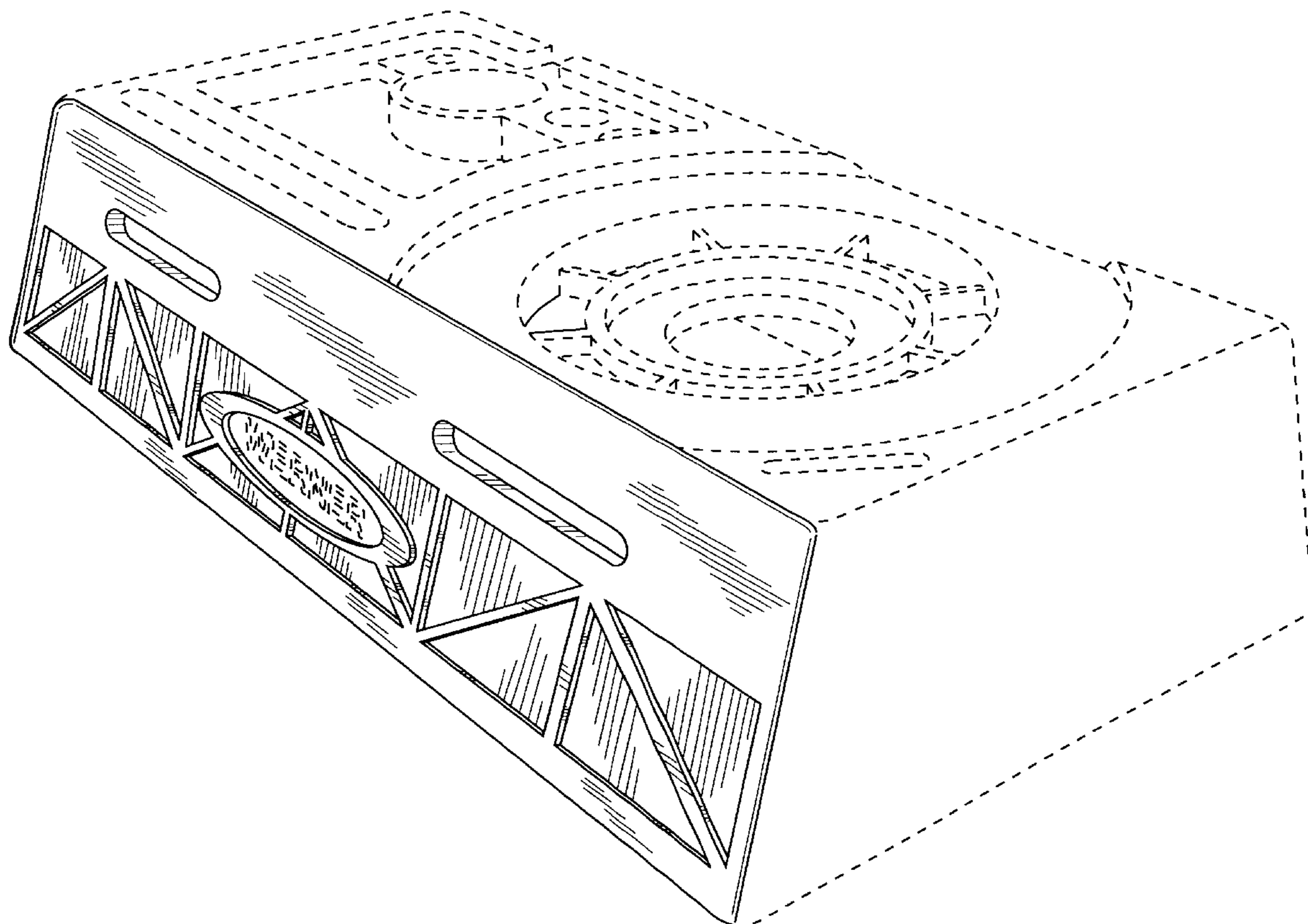
U.S. PATENT DOCUMENTS

D. 395,522	6/1998	Roberts	D25/68
3,998,416	12/1976	Benolkin	248/210
4,730,802	3/1988	Chatham et al.	.	
4,979,590	12/1990	Bailey	.	
5,370,263	12/1994	Brown	.	

FOREIGN PATENT DOCUMENTS

2093516 9/1982 United Kingdom .

1 Claim, 6 Drawing Sheets



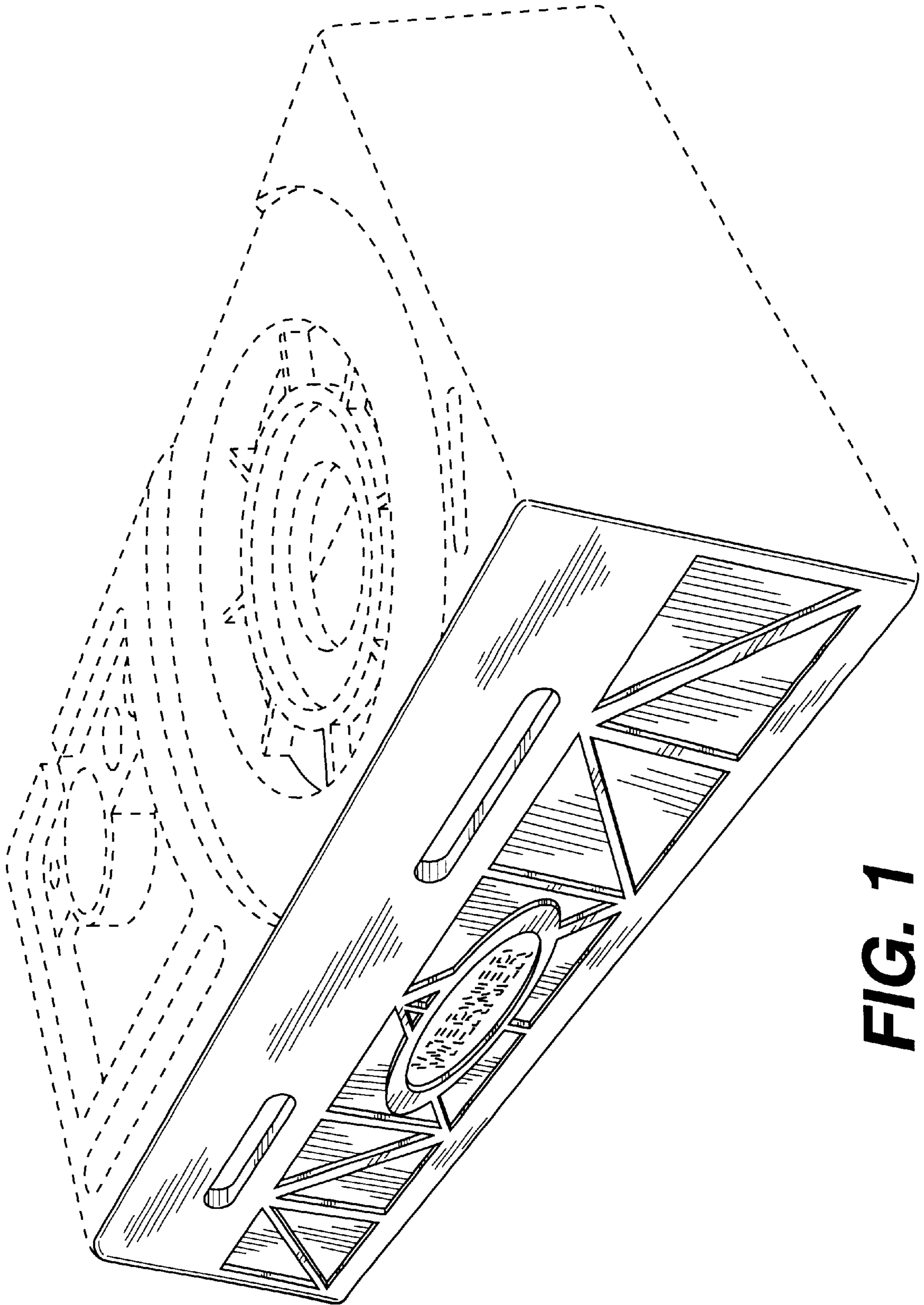


FIG. 1

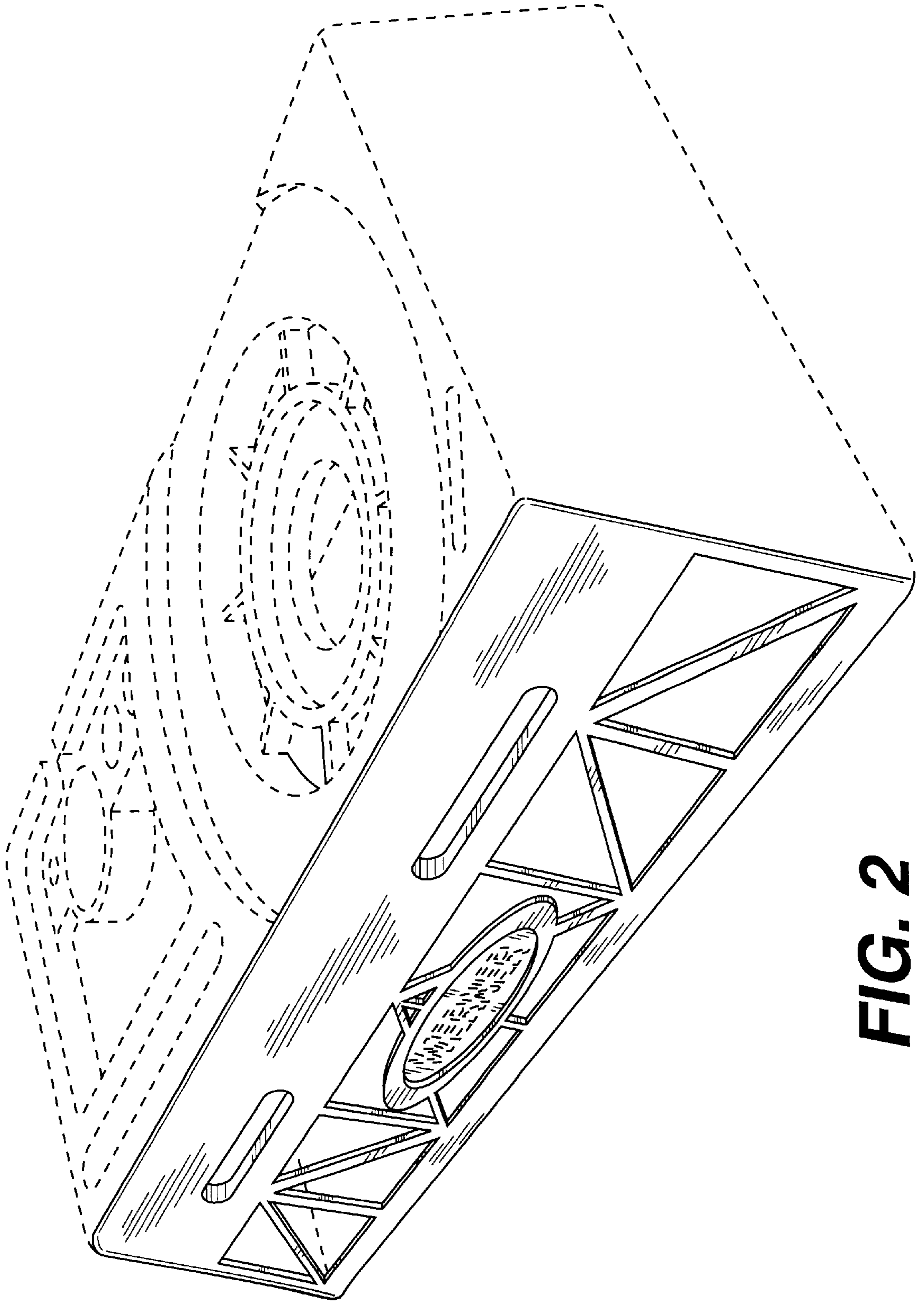


FIG. 2

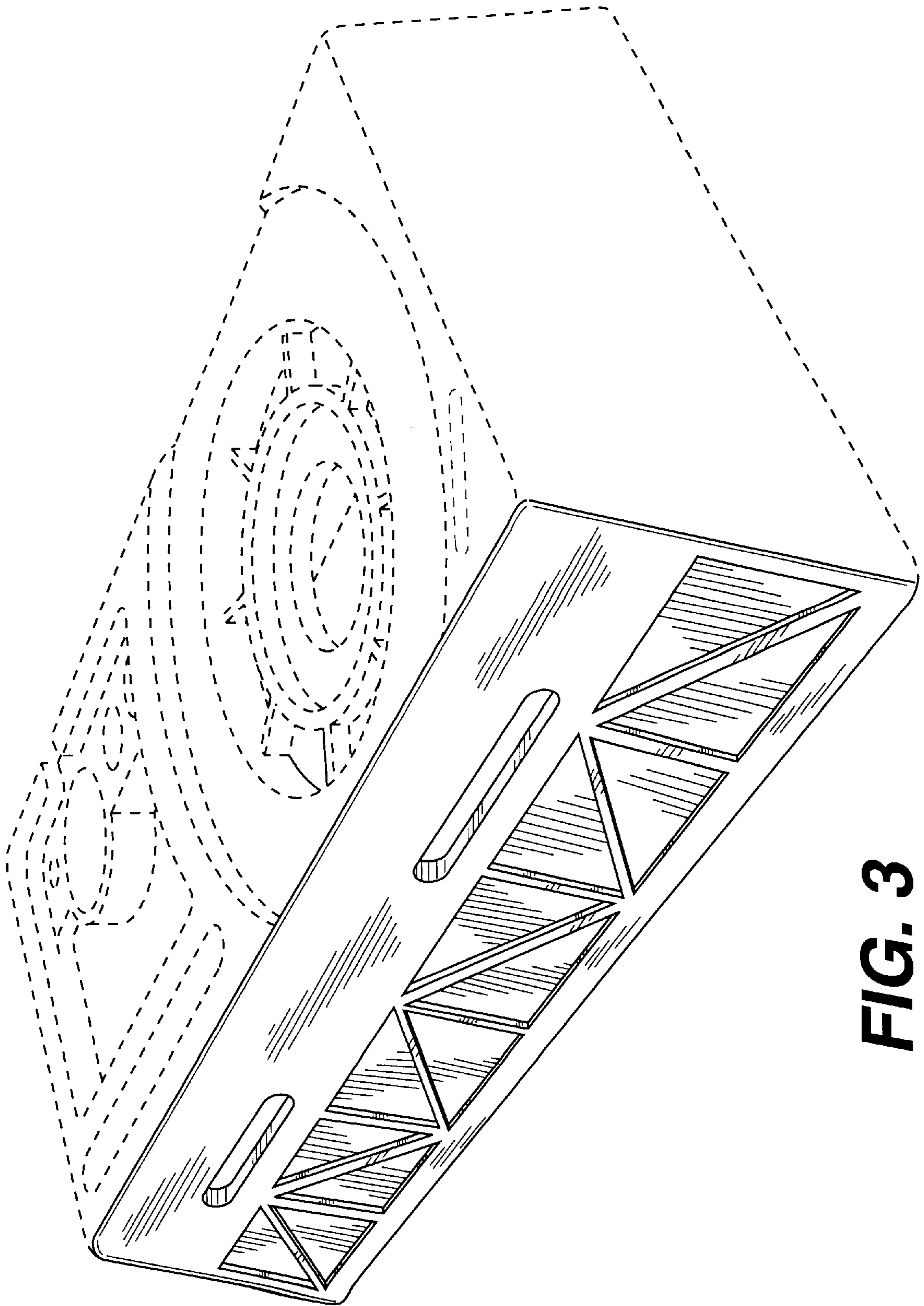


FIG. 3

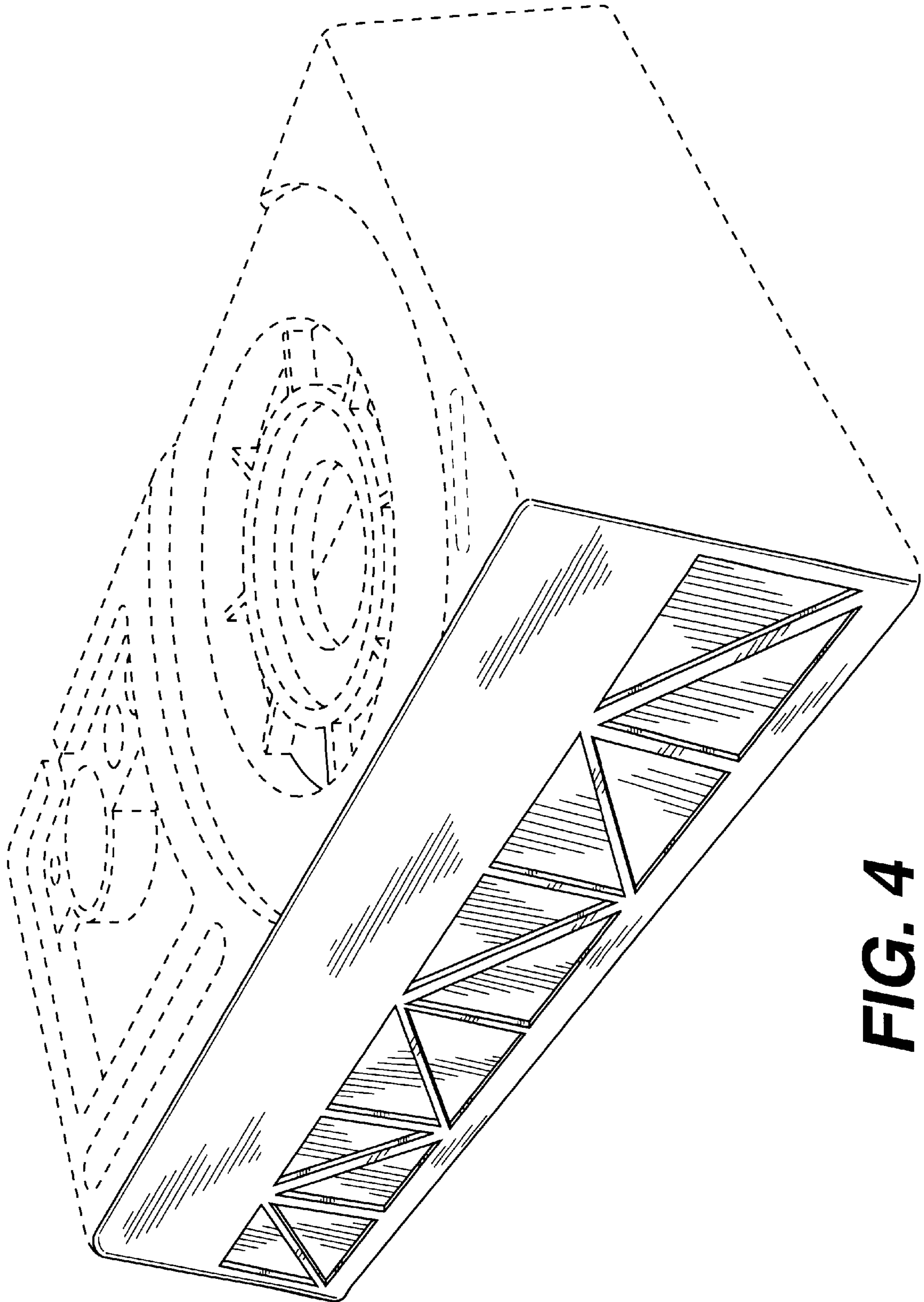


FIG. 4

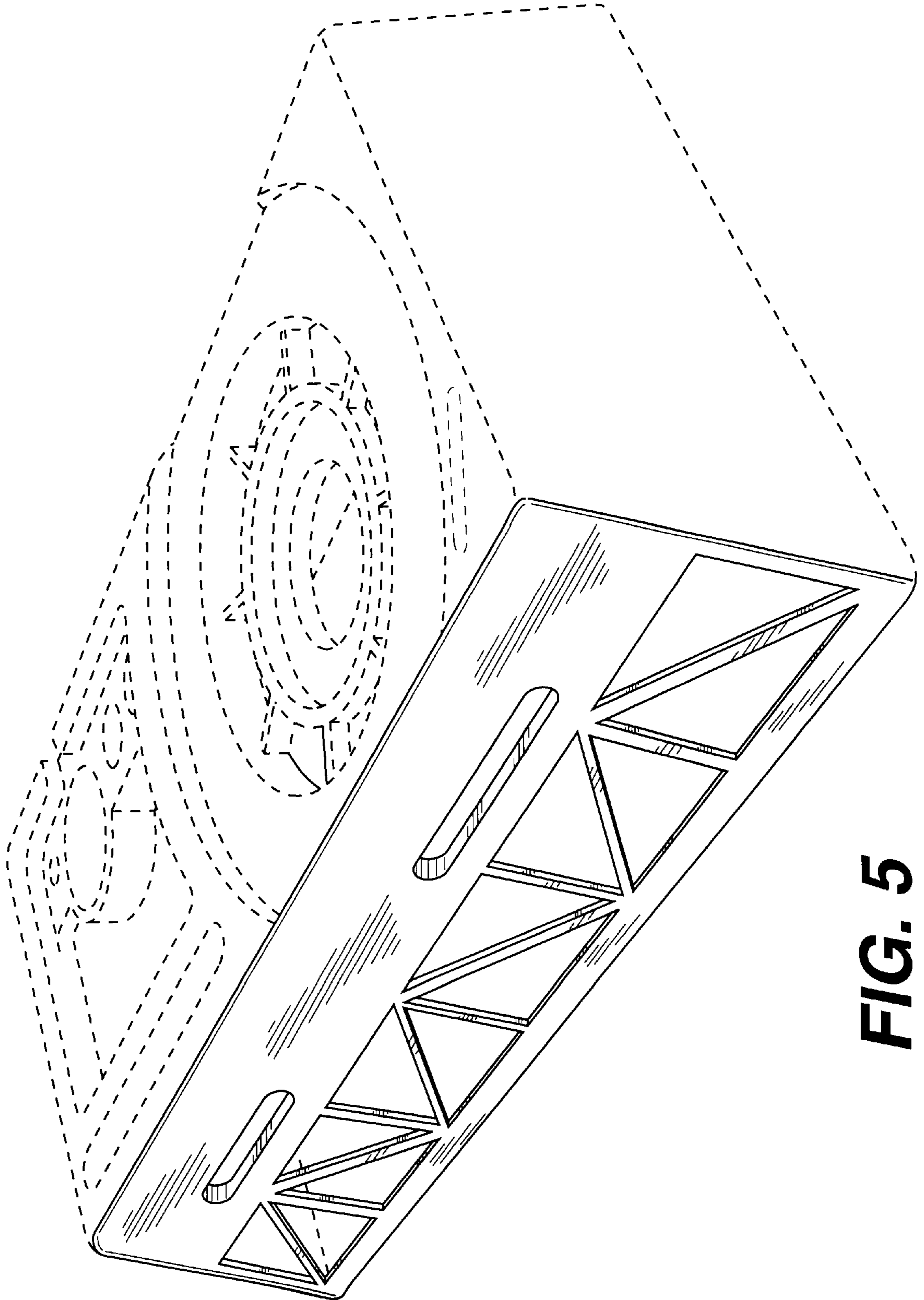


FIG. 5

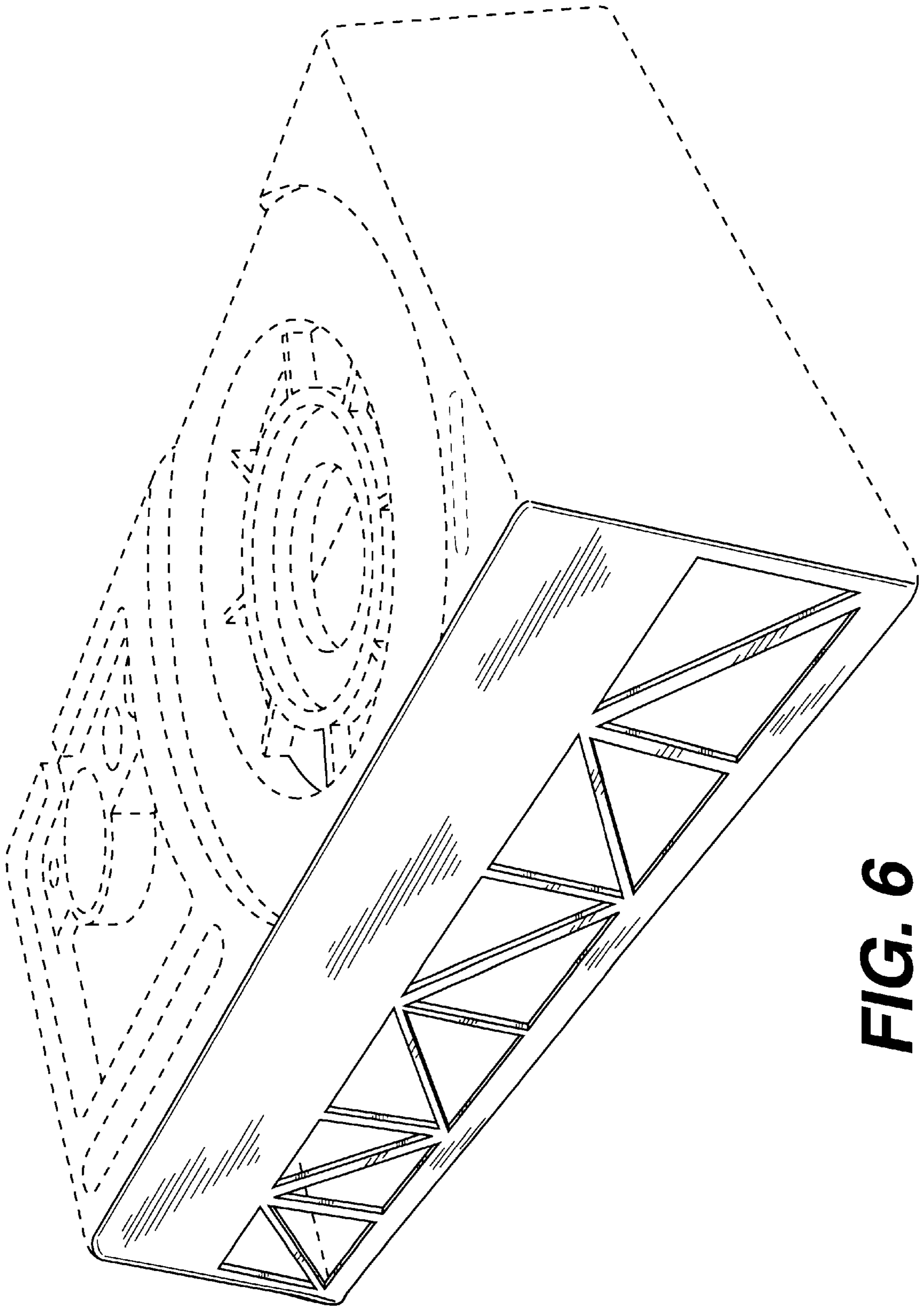


FIG. 6