



US00D413988S

United States Patent [19]
Shrira

[11] **Patent Number: Des. 413,988**

[45] **Date of Patent: ** Sep. 14, 1999**

[54] **ELLIPTICAL PROFILE**

[75] Inventor: **Mordechai Shrira**, Kibbutz Cabri, Israel

[73] Assignee: **Rion Ltd.**, Kibbutz Cabri, Israel

[**] Term: **14 Years**

[21] Appl. No.: **29/083,374**

[22] Filed: **Feb. 9, 1998**

[30] **Foreign Application Priority Data**

Aug. 10, 1997 [IL] Israel 28341

[51] **LOC (6) Cl.** **25-02**

[52] **U.S. Cl.** **D25/61**

[58] **Field of Search** 52/736.1, DIG. 17,
52/730.5, 731.3, 731.5, 731.9, 732.1, 732.2;
D25/122, 61; 403/345, 348, 351, 352, 359,
372, 738

[56] **References Cited**

U.S. PATENT DOCUMENTS

D. 353,473 12/1994 Laffler D25/125

D. 373,832 9/1996 Nomura D25/61

4,831,793 5/1989 Galloway et al. 52/DIG. 17

Primary Examiner—Doris Clark

Attorney, Agent, or Firm—Mark M. Friedman

[57] **CLAIM**

The ornamental design for elliptical profile, as shown and described.

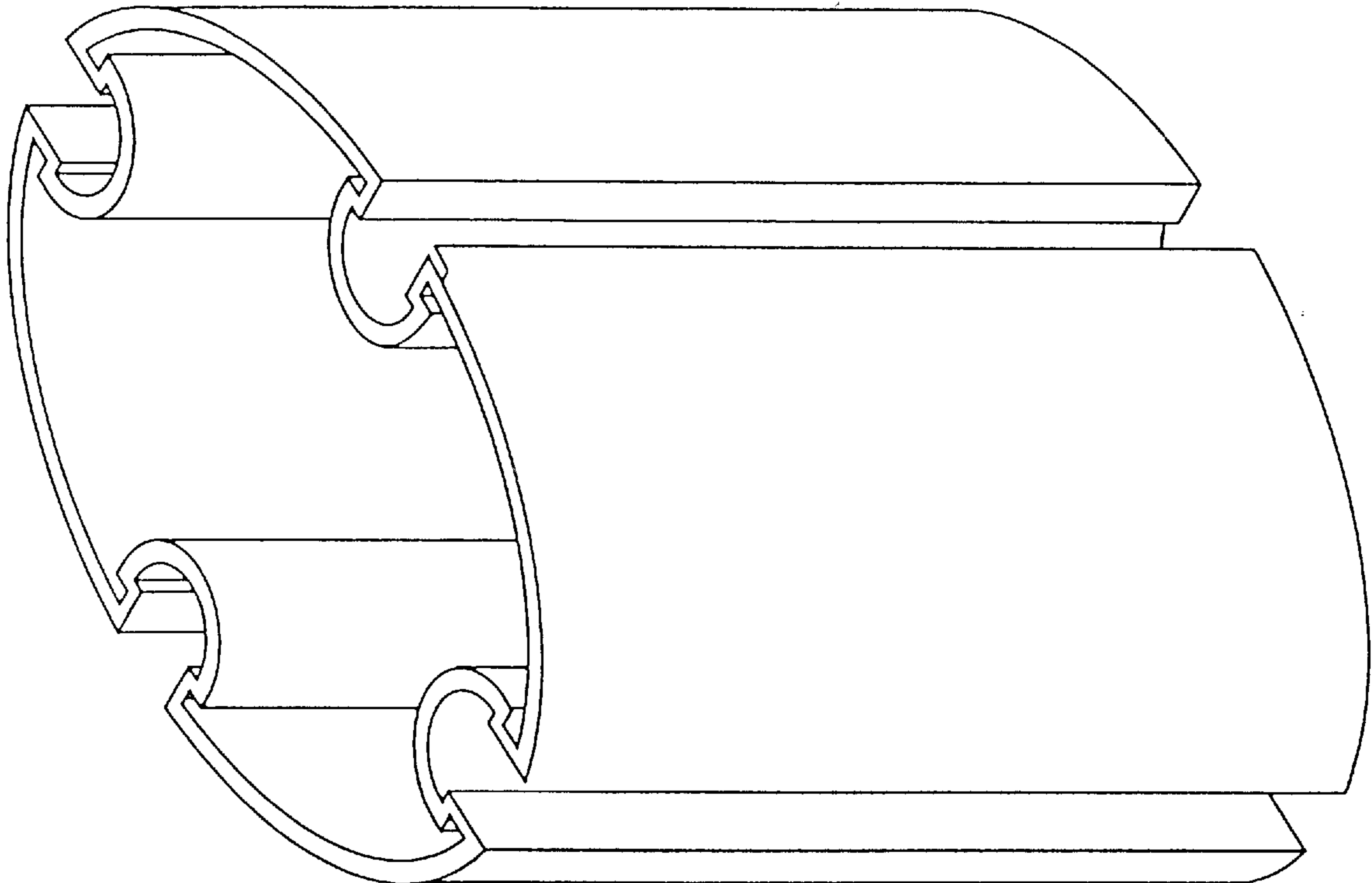
DESCRIPTION

FIG. 1 is a front view of an elliptical profile showing my new design;

FIG. 2 is a perspective view thereof; and,

FIG. 3 is a side view thereof.

1 Claim, 1 Drawing Sheet



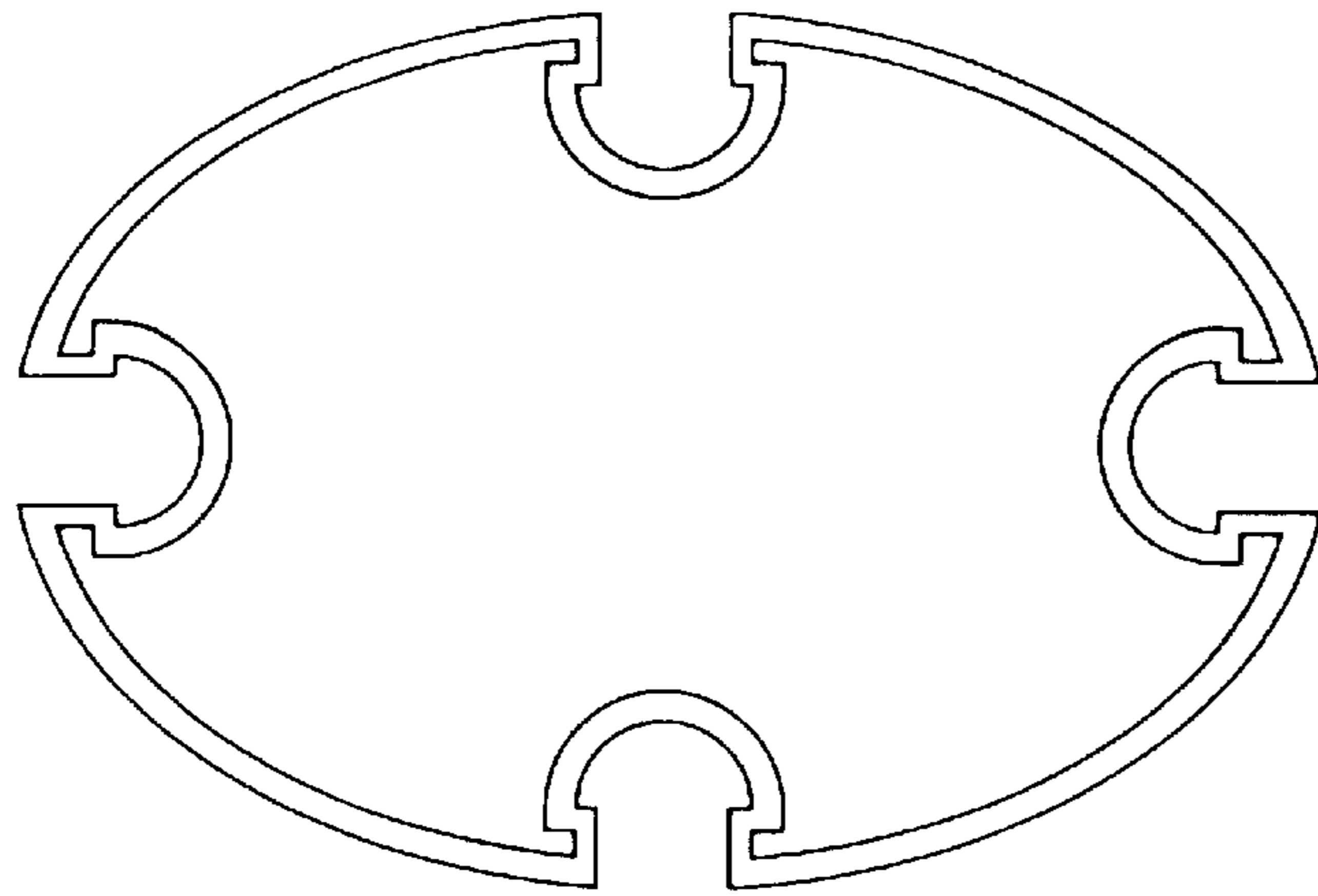


FIG. 1

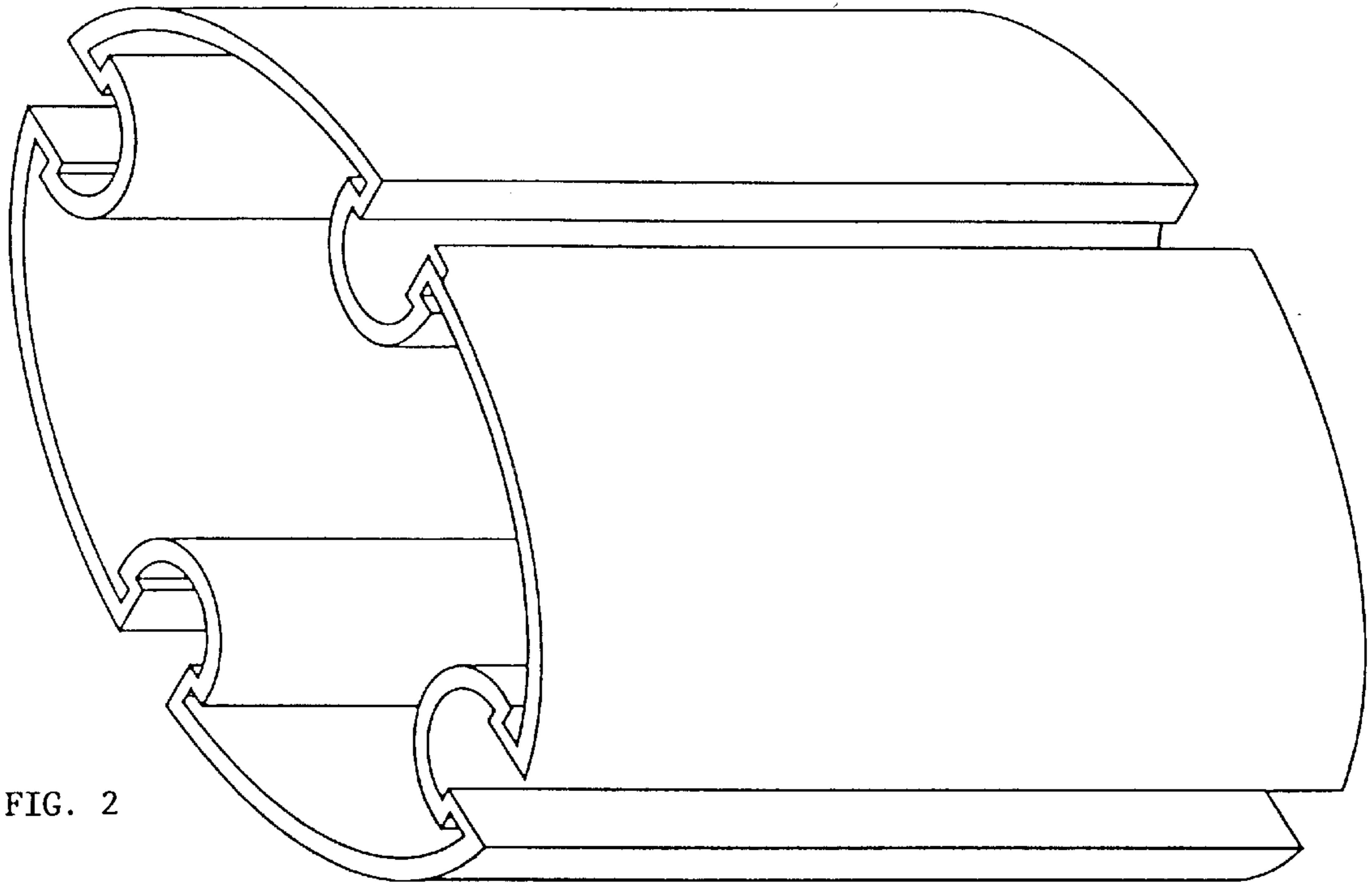


FIG. 2

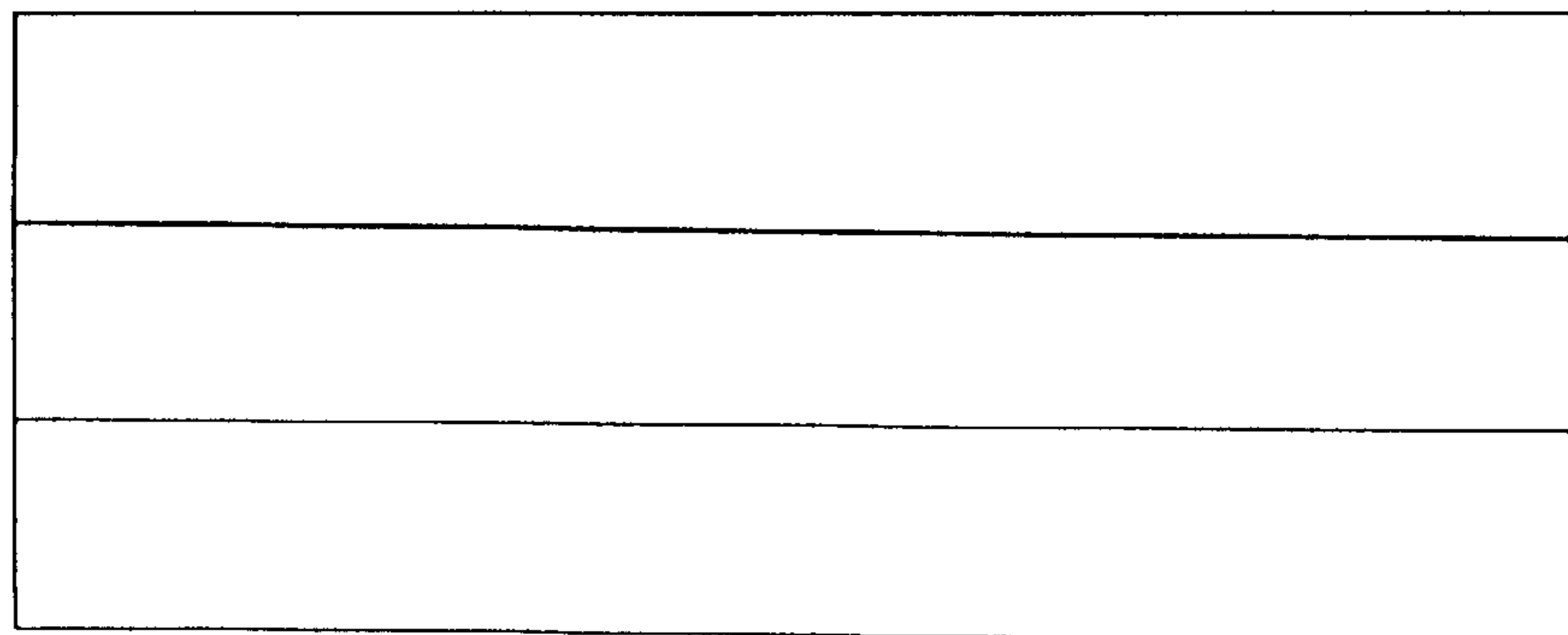


FIG. 3