



US00D413983S

United States Patent [19]
Shaw et al.

[11] **Patent Number: Des. 413,983**

[45] **Date of Patent: ** Sep. 14, 1999**

[54] **NURSING BOTTLE HOLDER**

FOREIGN PATENT DOCUMENTS

[75] Inventors: **Robert W. Shaw**, Piscataway, N.J.;
Paul Dowd, Bronxville, N.Y.

0 061 868 A1 10/1982 European Pat. Off. .
0 414 673B1 3/1994 European Pat. Off. .
2 109 247 6/1983 United Kingdom .
2 277 452 11/1994 United Kingdom .
WO 91/03225 3/1991 WIPO .
WO 92/01435 2/1992 WIPO .
WO 92/14437 9/1992 WIPO .

[73] Assignee: **Johnson & Johnson Consumer Products, Inc.**, Skillman, N.J.

[**] Term: **14 Years**

Primary Examiner—Stella Reid
Attorney, Agent, or Firm—Michele G. Mangini

[21] Appl. No.: **29/073,807**

[22] Filed: **Jul. 17, 1997**

[57] **CLAIM**

[51] **LOC (6) Cl.** **07-01**

The ornamental design for a nursing bottle holder, as shown and described.

[52] **U.S. Cl.** **D24/199**

[58] **Field of Search** D24/199; 248/102,
248/103, 104, 105, 106, 107; 215/11.1–11.6

DESCRIPTION

[56] **References Cited**

U.S. PATENT DOCUMENTS

D. 138,925	9/1944	Ostrin et al. .	
D. 298,970	12/1988	Dirks	D24/199
D. 300,560	4/1989	Losito	D24/199
D. 310,417	9/1990	Herritz	D24/199
D. 315,959	4/1991	Bilangi	D24/199
D. 325,973	5/1992	Chen et al.	D24/197
D. 326,523	5/1992	Chen et al.	D24/197
D. 371,849	7/1996	Thom .	
D. 376,430	12/1996	Humphrey et al. .	
3,061,129	10/1962	FitzGerald .	
3,071,272	1/1963	Doner .	
3,145,867	8/1964	Roberts et al. .	
3,762,542	10/1973	Grimes .	
4,676,387	6/1987	Stephenson et al. .	
4,813,556	3/1989	Lawrence .	
4,925,042	5/1990	Chong .	
5,509,549	4/1996	Marandola .	
5,540,341	7/1996	Holley et al. .	
5,551,583	9/1996	Sachathamakul et al. .	
5,588,548	12/1996	Brankley .	

FIG. 1 is a perspective view of a nursing bottle holder showing our new design in a bent orientation; FIG. 2 is a front elevational view thereof; FIG. 3 is a side elevational view thereof, the opposite side being a mirror image; FIG. 4 is a rear elevational view thereof; FIG. 5 is a top plan view thereof; FIG. 6 is a bottom plan view thereof; FIG. 7 is a perspective view similar to FIG. 1; however, the broken line showing of the liner and cap is for illustrative purposes only and forms no part of the claimed design; FIG. 8 is a perspective view of the nursing bottle holder of FIG. 1 but shown in a straight orientation; FIG. 9 is a front elevational view thereof; FIG. 10 is a side elevational view thereof; the opposite side being a mirror image; FIG. 11 is a rear elevational view thereof; FIG. 12 is a top plan view thereof; and, FIG. 13 is a bottom plan view thereof.

1 Claim, 11 Drawing Sheets

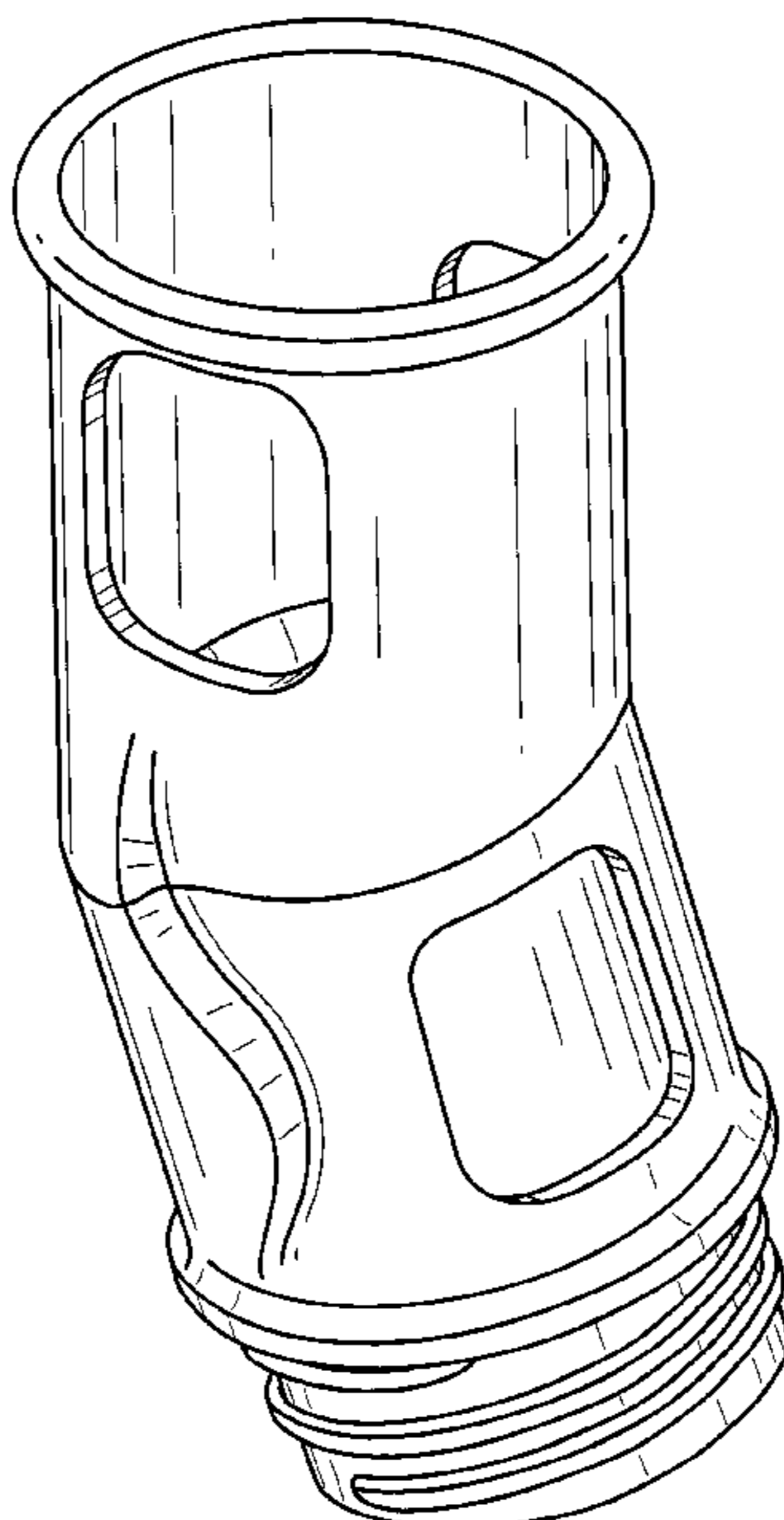


FIG. 1

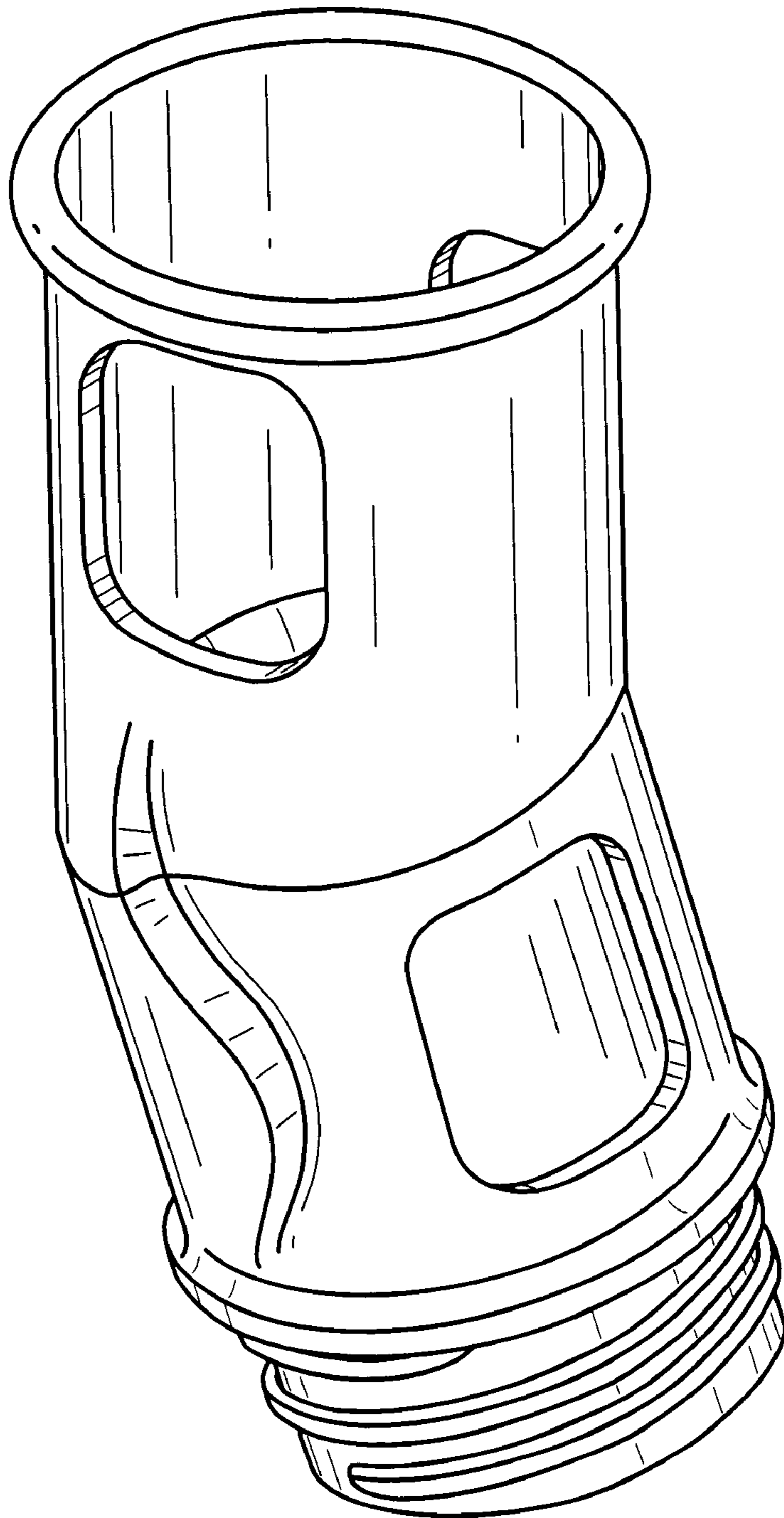


FIG. 2

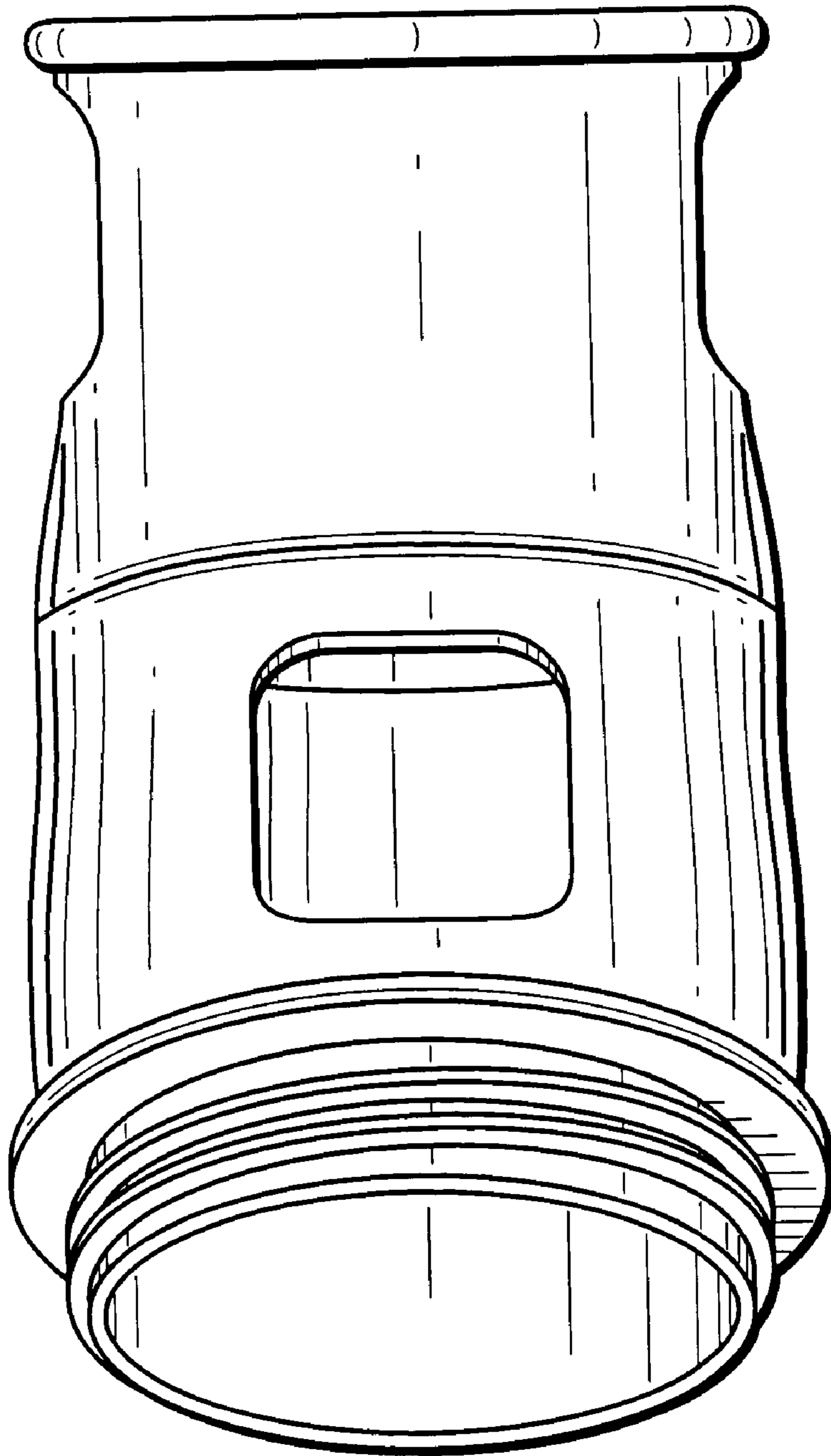


FIG. 3

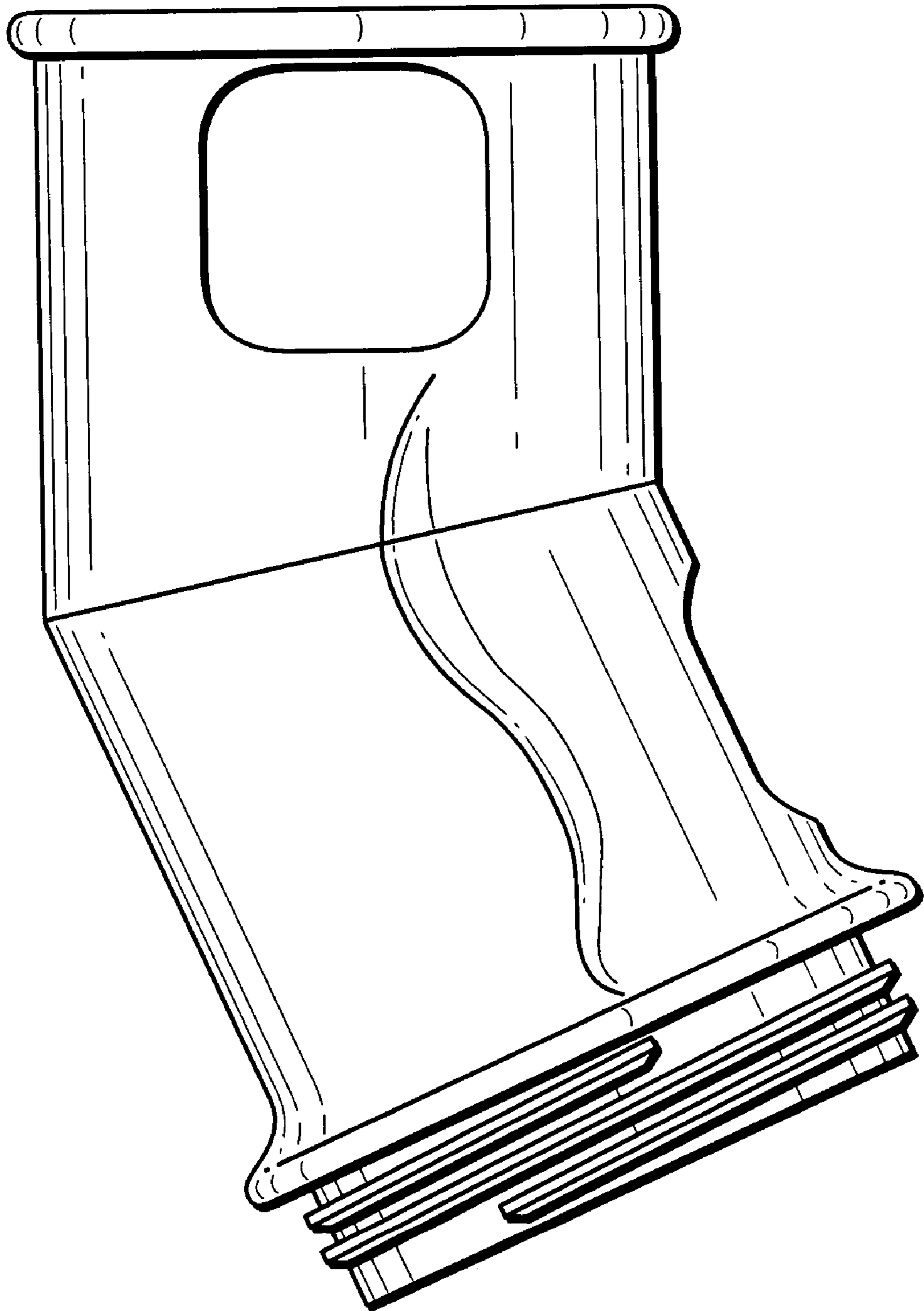


FIG. 4

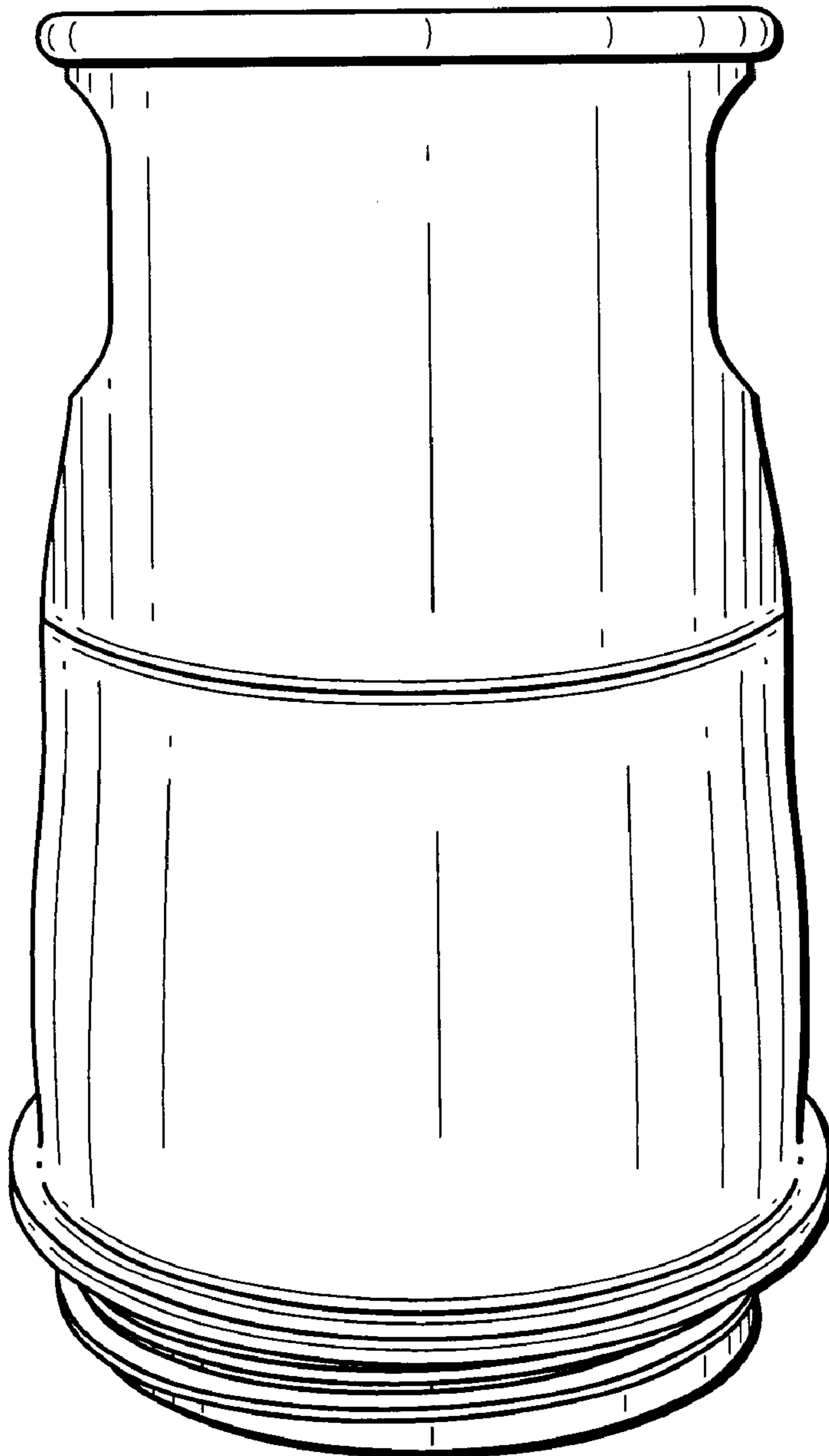


FIG. 5

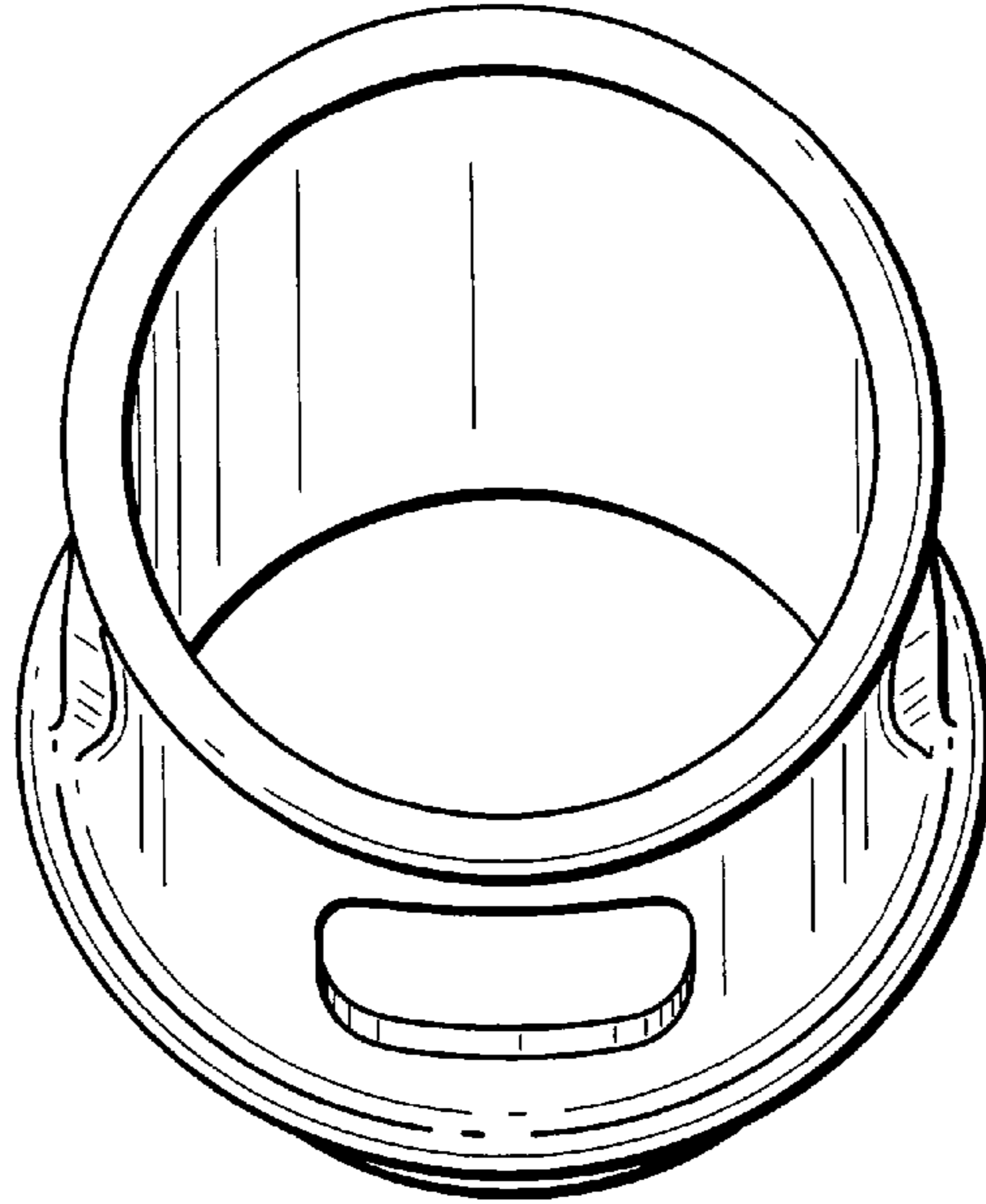


FIG. 6

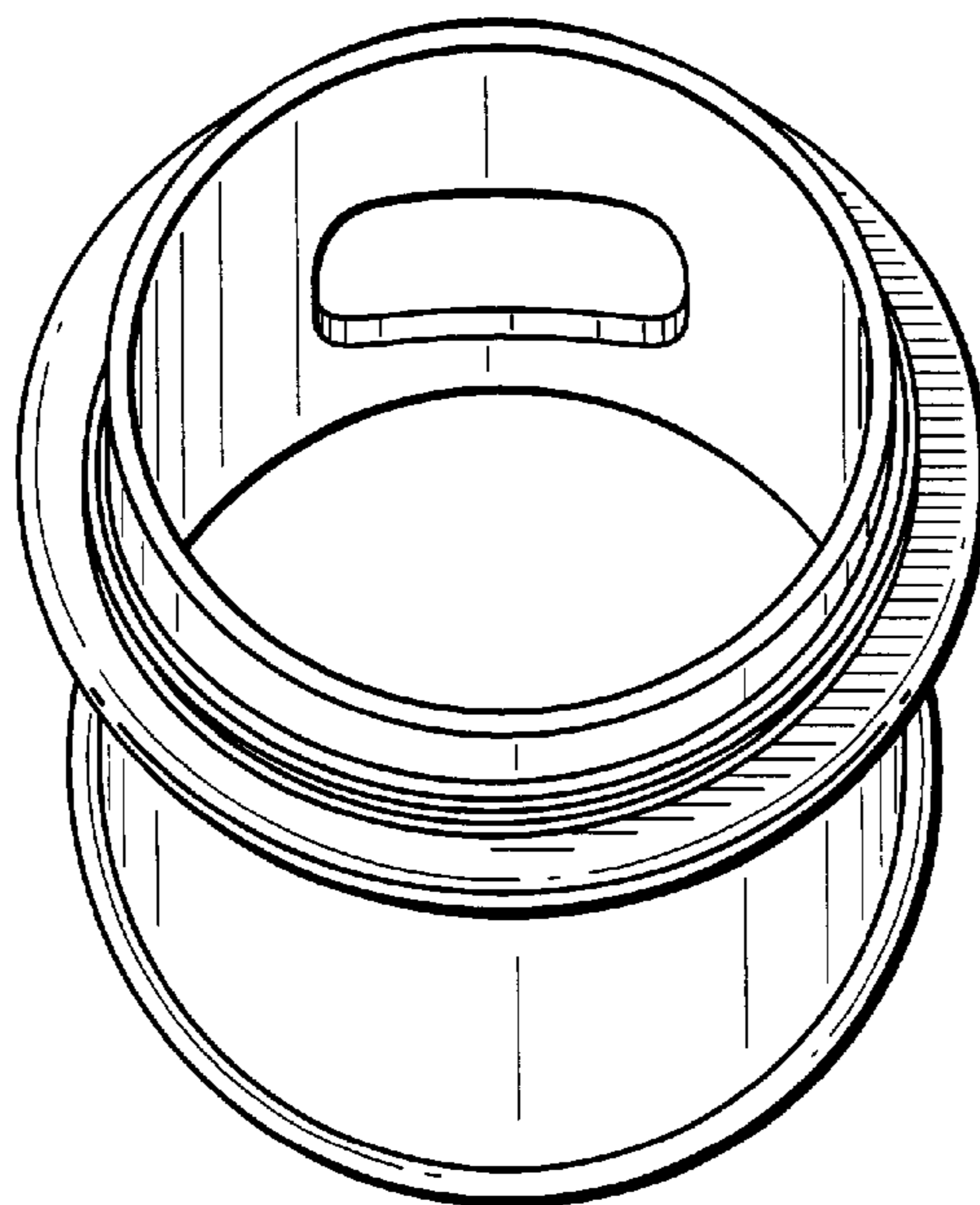


FIG. 7

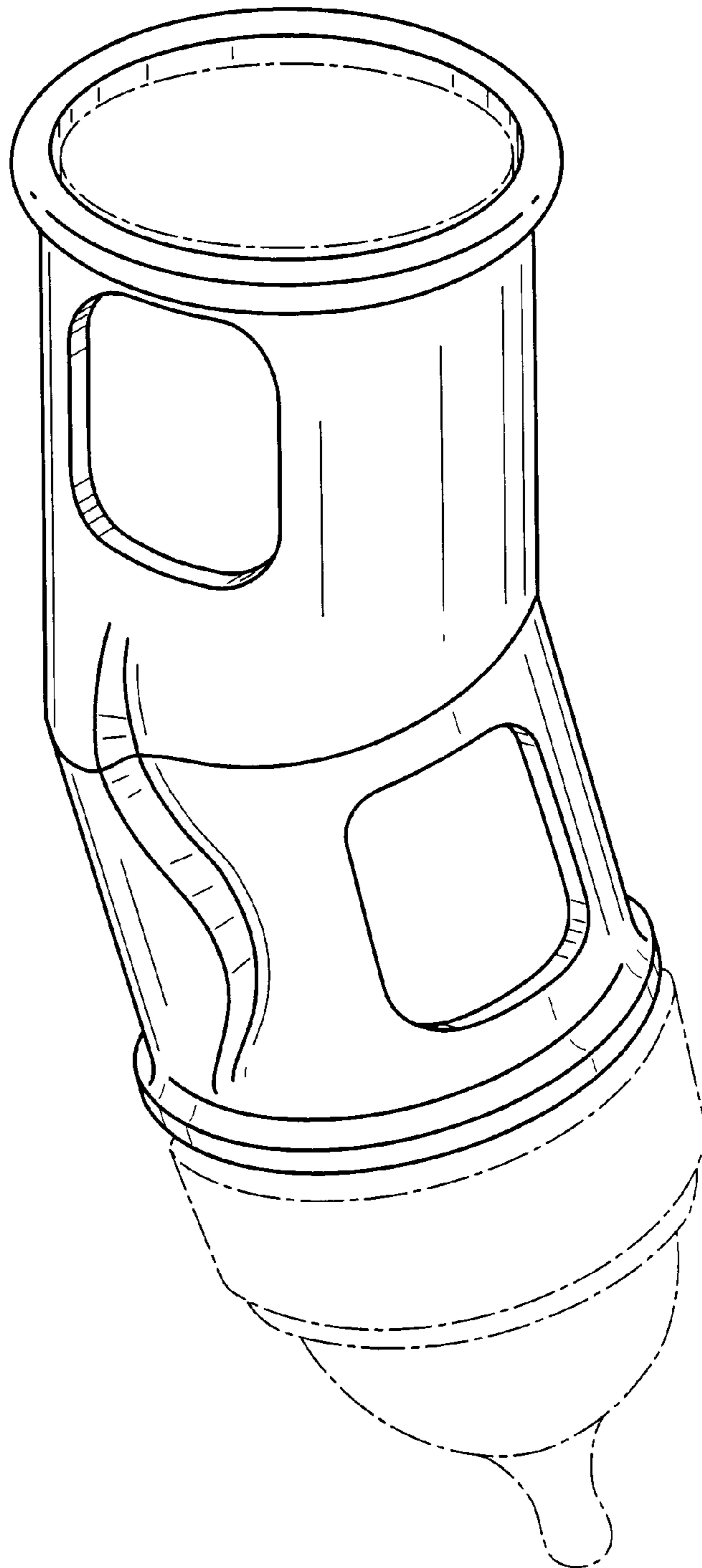


FIG. 8

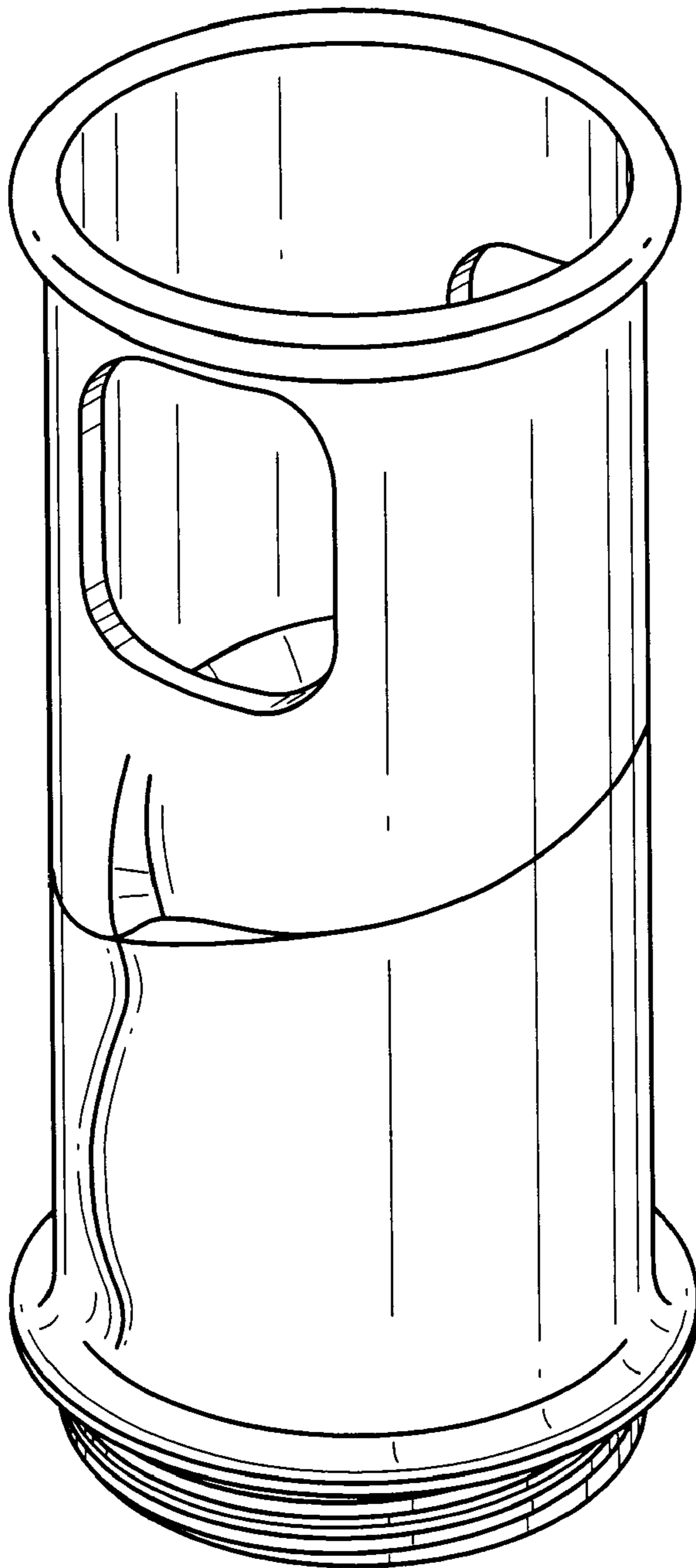


FIG. 9

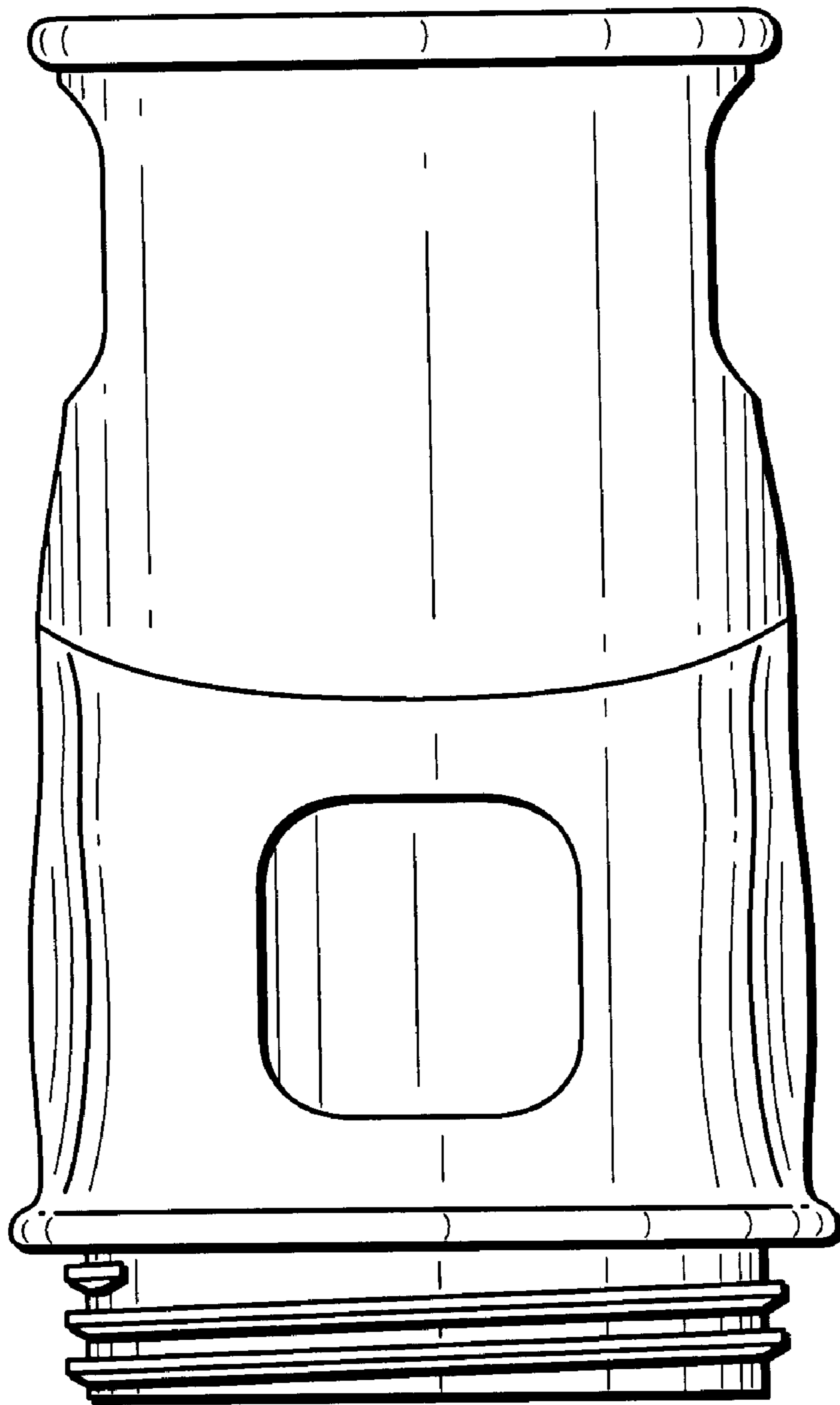


FIG. 10

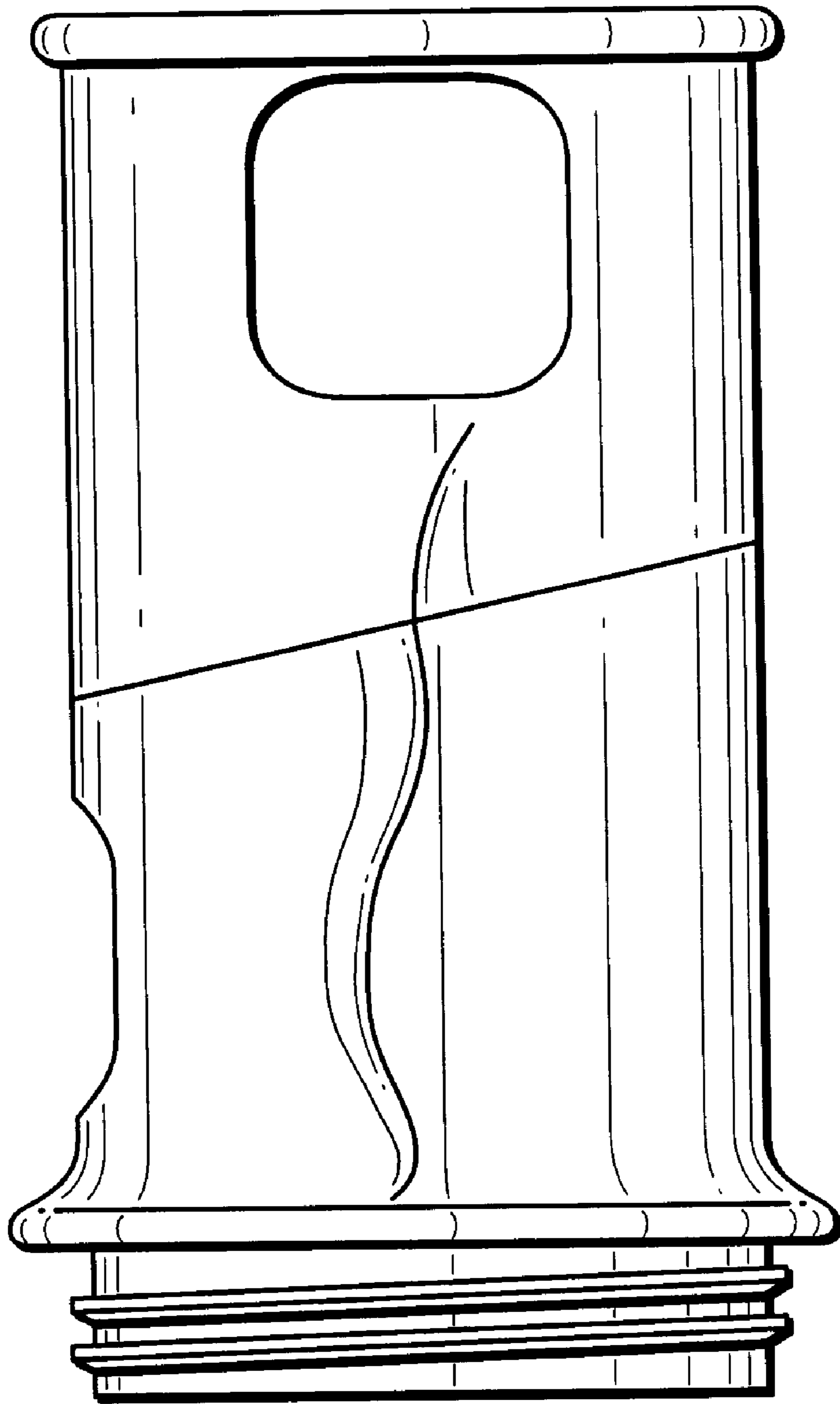


FIG. 11

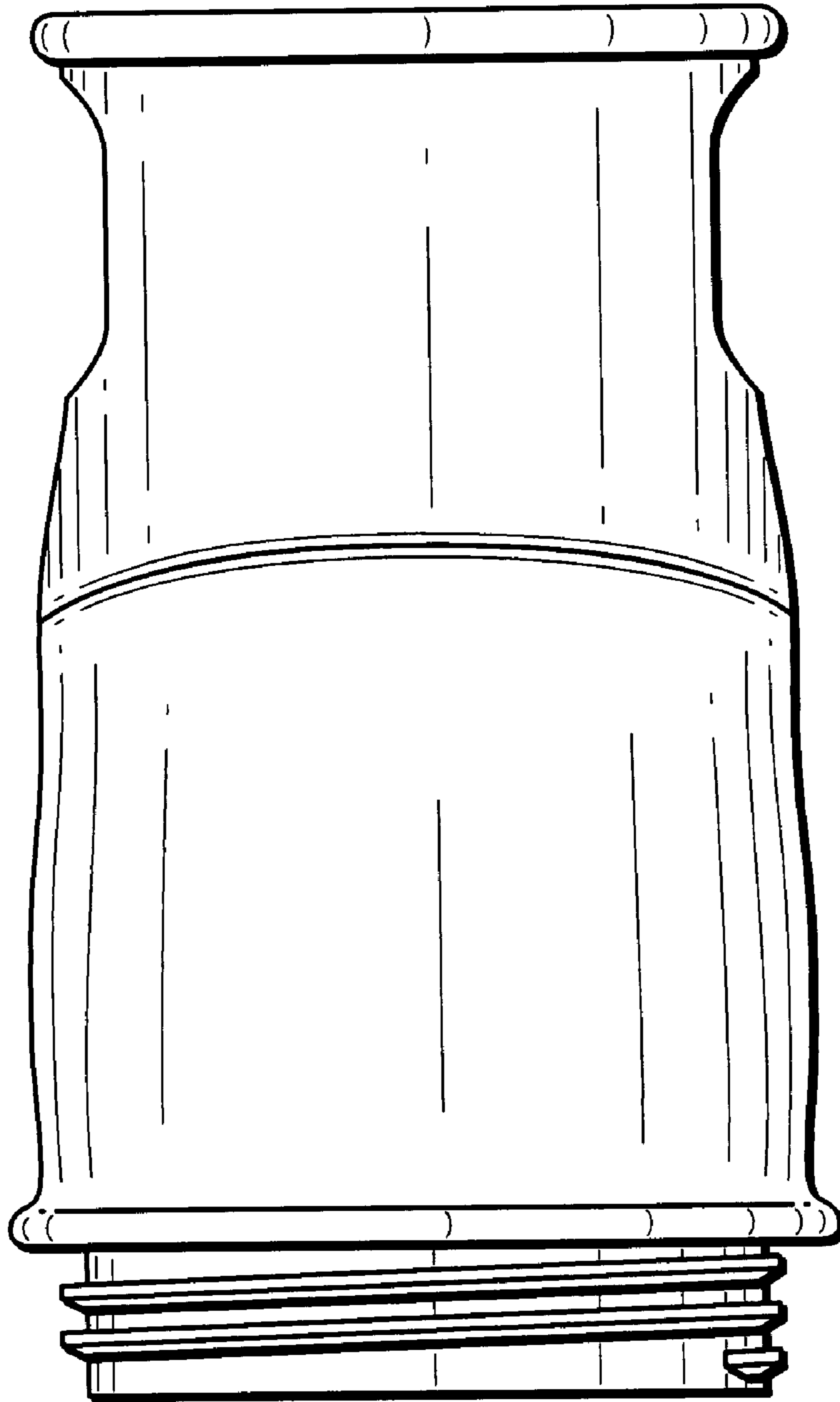


FIG. 12

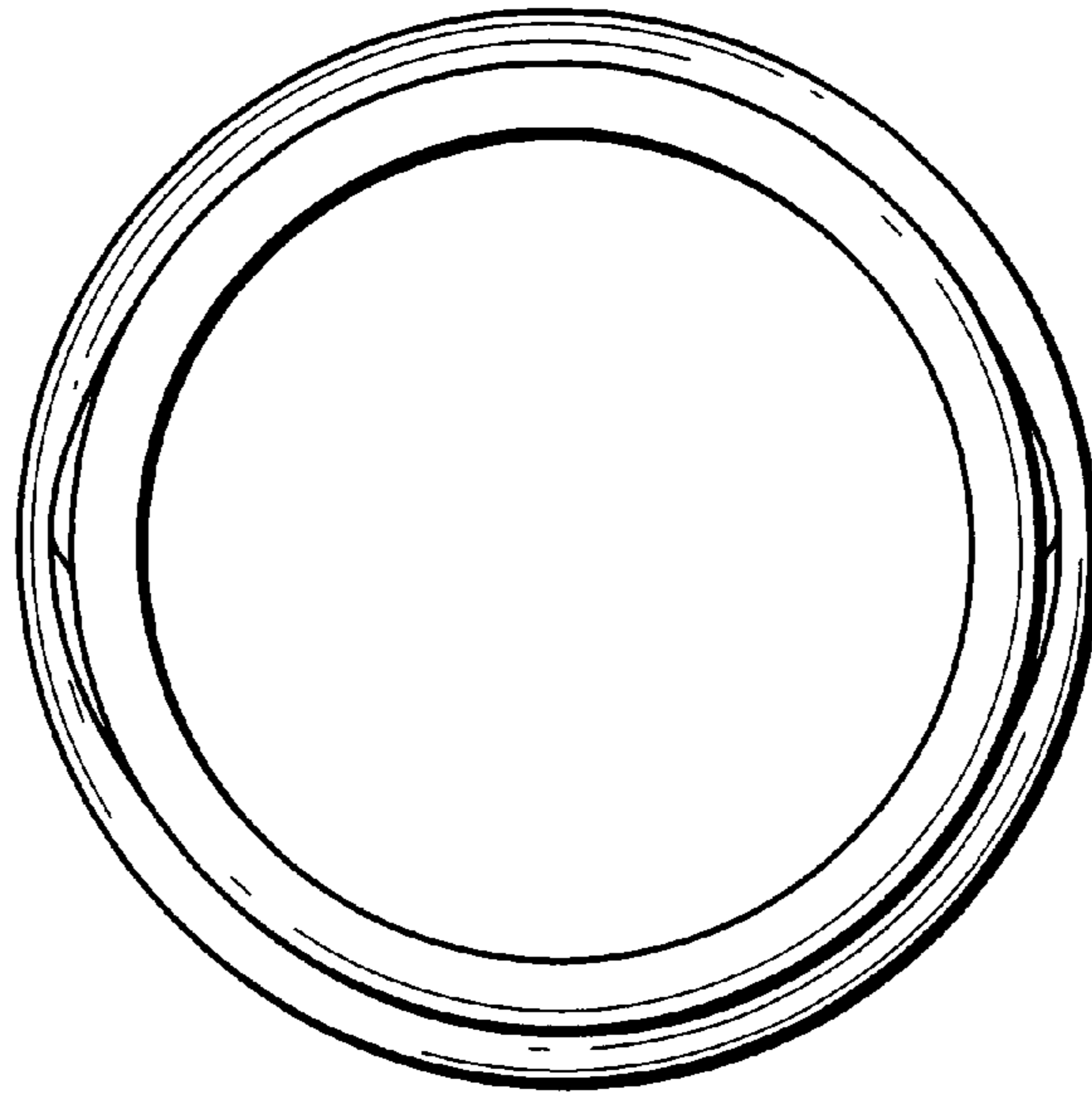


FIG. 13

