



US00D413982S

United States Patent [19]

Swedberg et al.

[11] Patent Number: **Des. 413,982**

[45] Date of Patent: **** Sep. 14, 1999**

[54] **ARM POSITIONING SPLINT**
[75] Inventors: **Lynn M. Swedberg**, Spokane, Wash.;
Kevin W. Bork, Germantown, Wis.

4,270,235 6/1981 Gutmann .
4,928,712 5/1990 Mele 128/878
5,131,412 7/1992 Rankin 128/878
5,195,945 3/1993 Sandvig et al. 602/23
5,716,334 2/1998 Wade 602/6

[73] Assignee: **Smith & Nephew, Inc.**, Memphis, Tenn.

Primary Examiner—Louis S. Zarfes
Assistant Examiner—G. Andoll
Attorney, Agent, or Firm—Fulbright & Jaworski L.L.P.

[**] Term: **14 Years**

[21] Appl. No.: **29/080,921**

[57] **CLAIM**

[22] Filed: **Dec. 19, 1997**

The ornamental design for an arm positioning splint, as shown.

[51] **LOC (6) Cl.** **24-01**

DESCRIPTION

[52] **U.S. Cl.** **D24/190; D24/183**

[58] **Field of Search** D24/190, 183,
D24/191, 192; 602/5, 6, 20, 21, 23; 5/630,
646, 648, 652, 623; D6/601; 128/878, 879

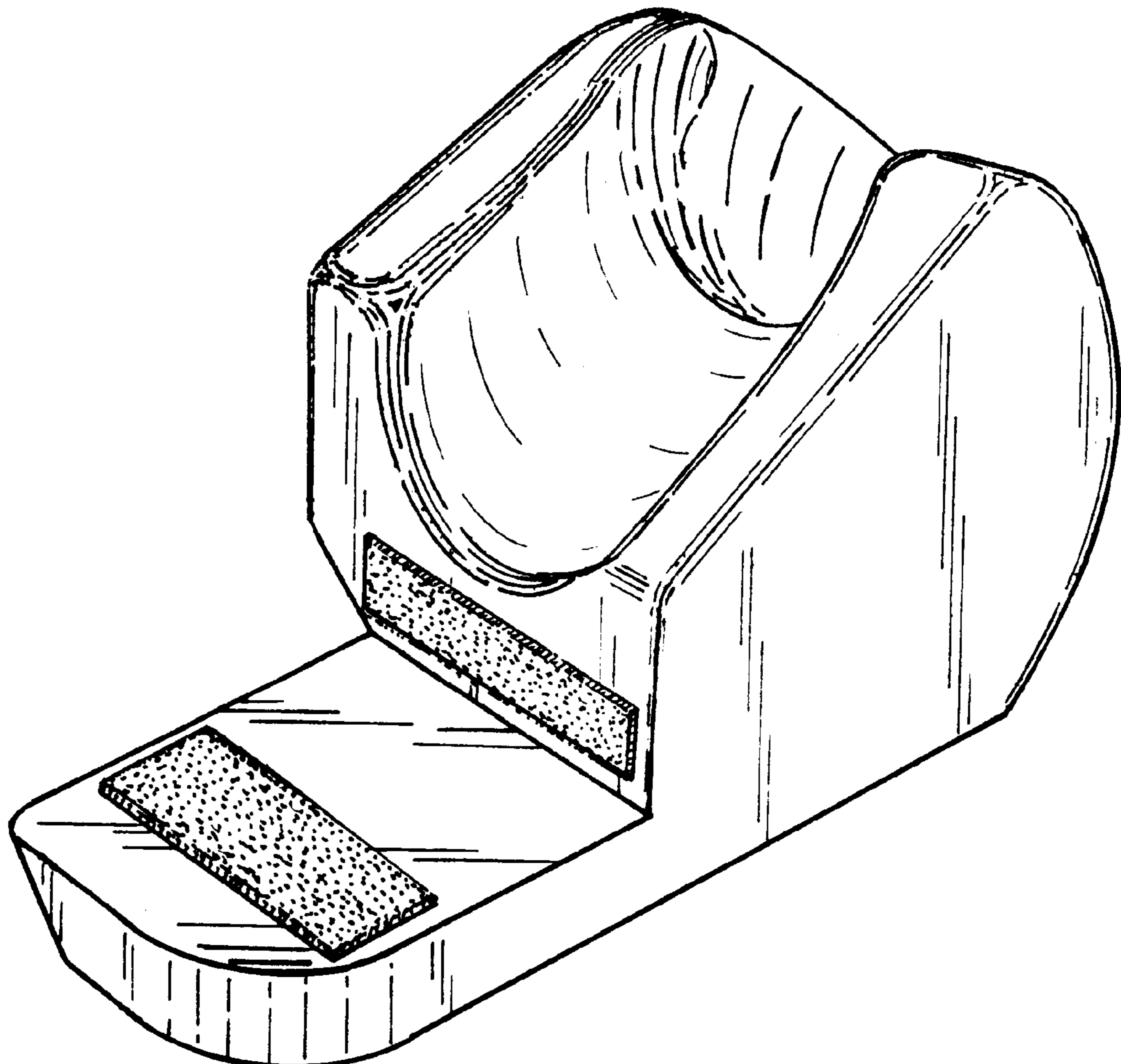
FIG. 1 is a perspective view of the arm positioning splint;
FIG. 2 is a back plan view of the arm positioning splint;
FIG. 3 is a plan view of a first side of the arm positioning splint;
FIG. 4 is a front plan view of the arm positioning splint;
FIG. 5 is a plan view of a second side of the arm positioning splint;
FIG. 6 is a top plan view of the arm positioning splint; and,
FIG. 7 is a bottom plan view of the arm positioning splint.

[56] **References Cited**

U.S. PATENT DOCUMENTS

D. 201,780 7/1965 Hazelwood et al. D24/183
D. 317,840 7/1991 Jagdat D6/601
D. 382,057 8/1997 Swedger et al. D24/183
4,210,317 7/1980 Spann et al. .

1 Claim, 4 Drawing Sheets



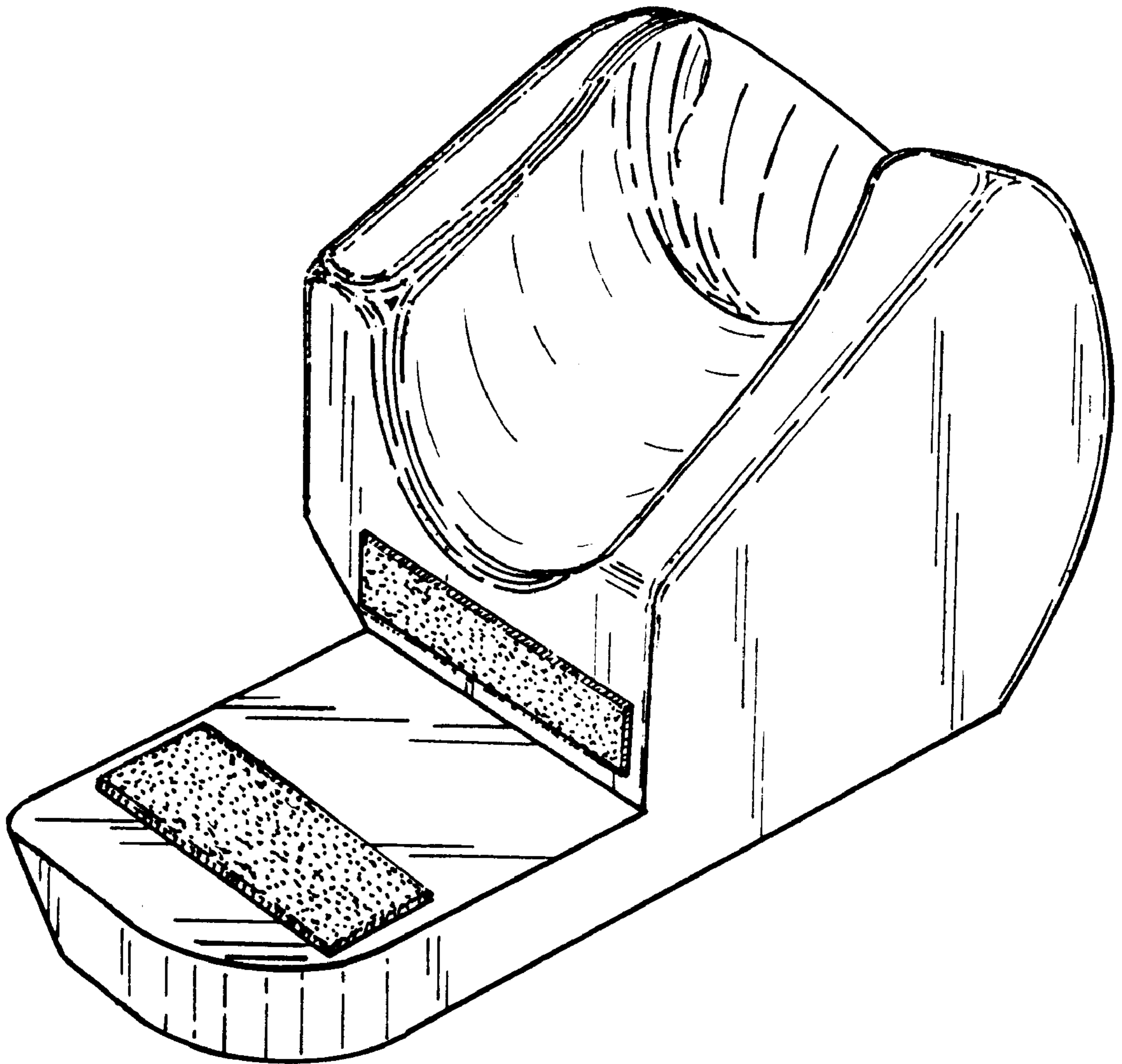


FIG. 1

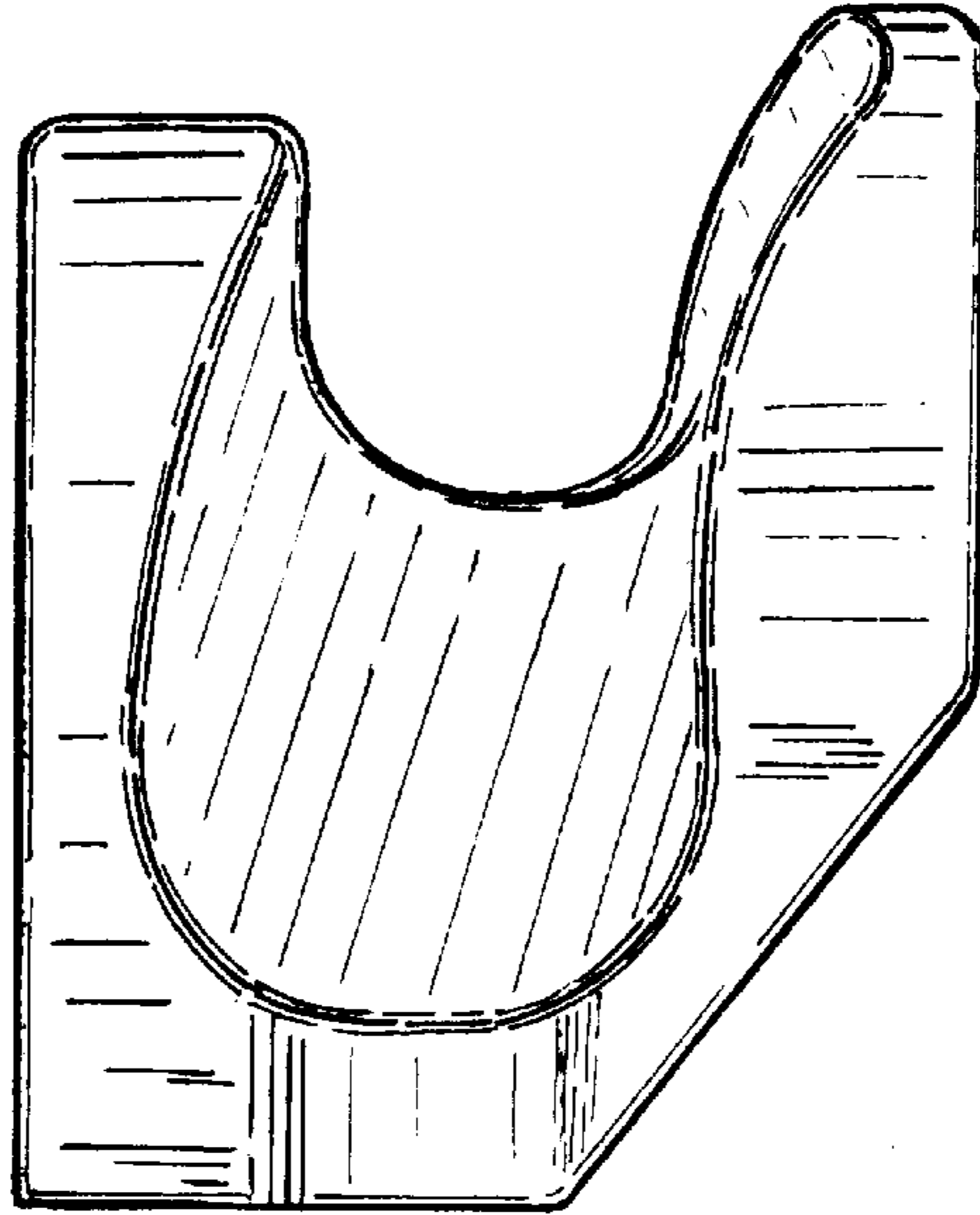


FIG. 2

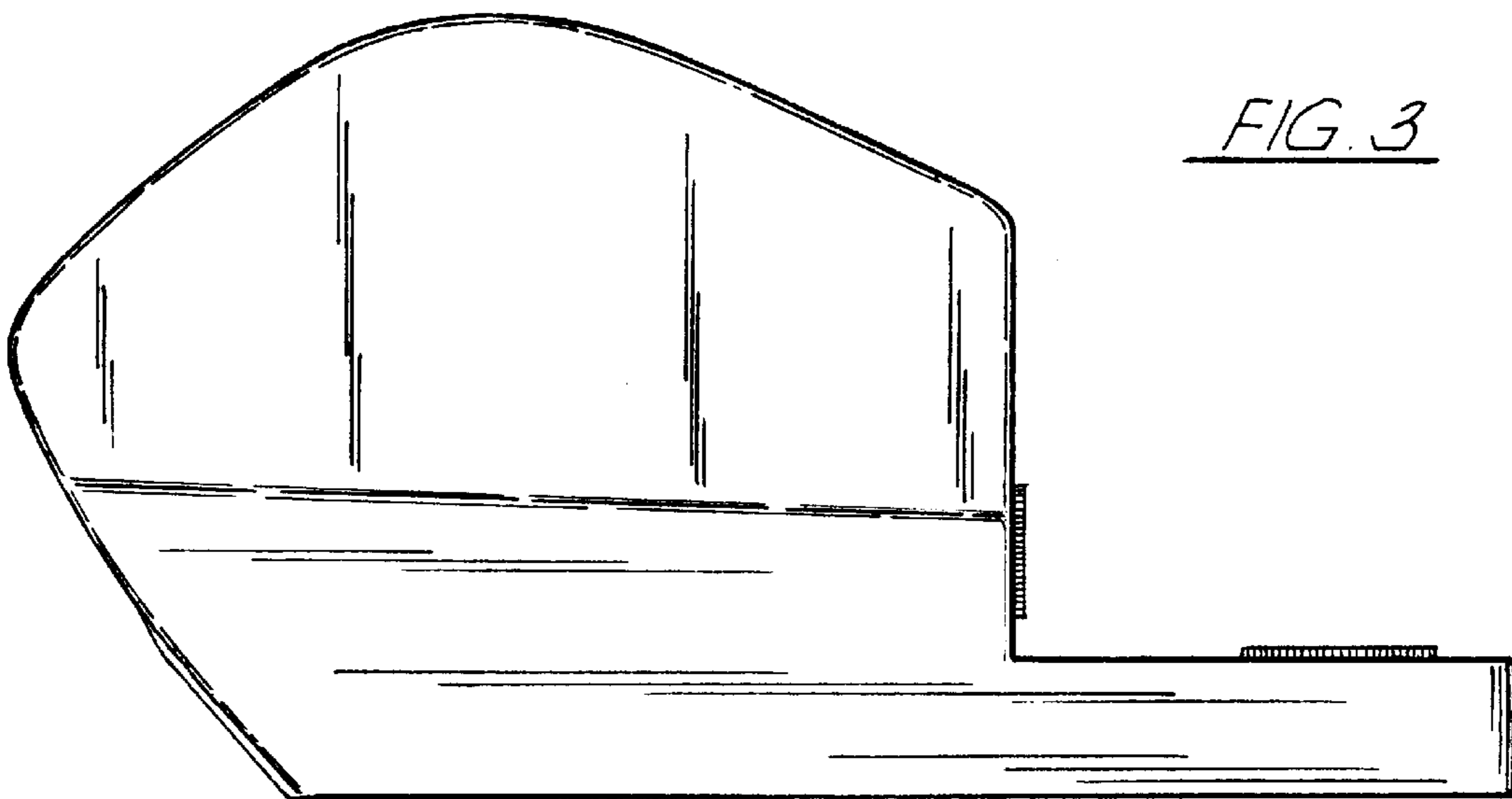


FIG. 3

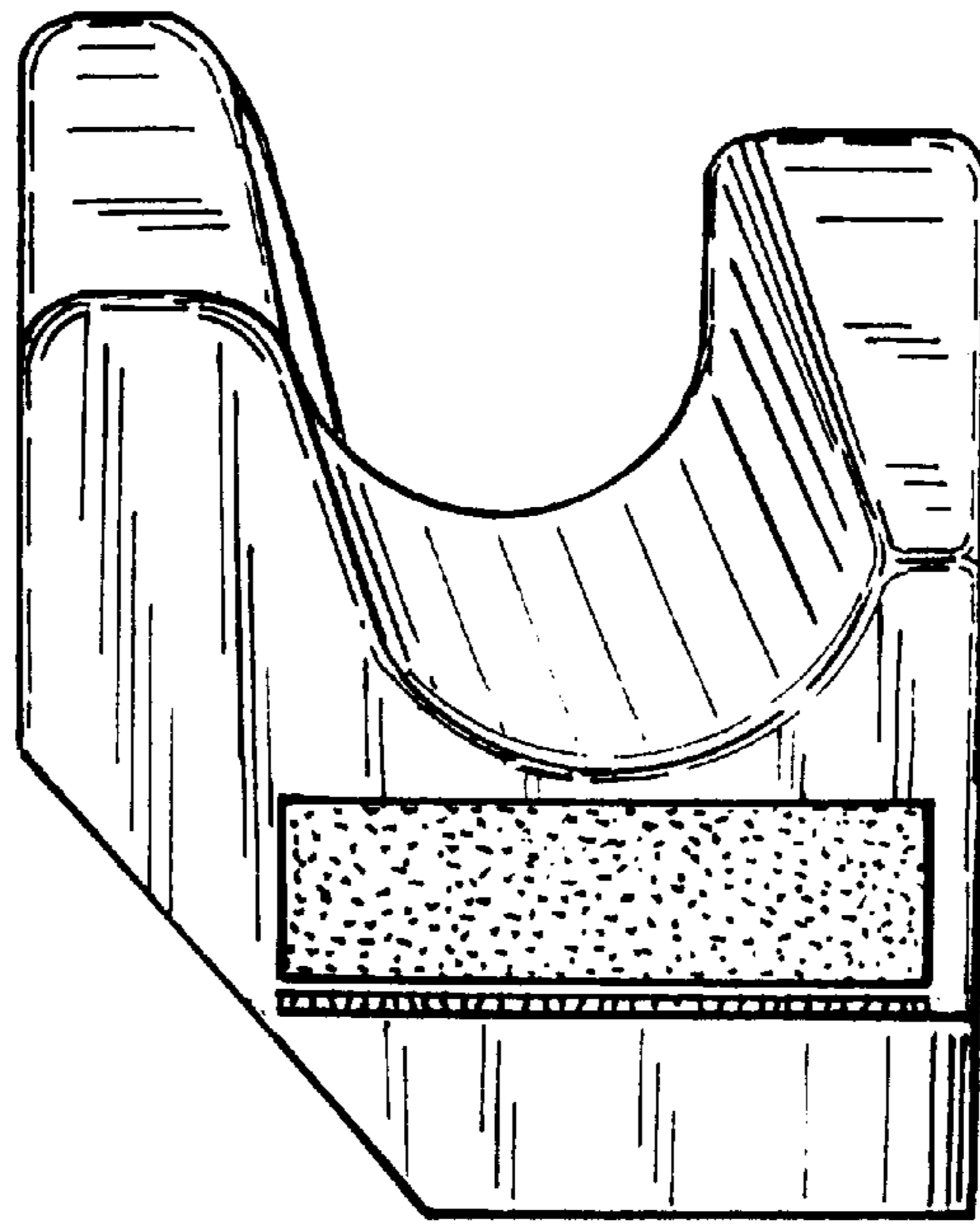


FIG. 4

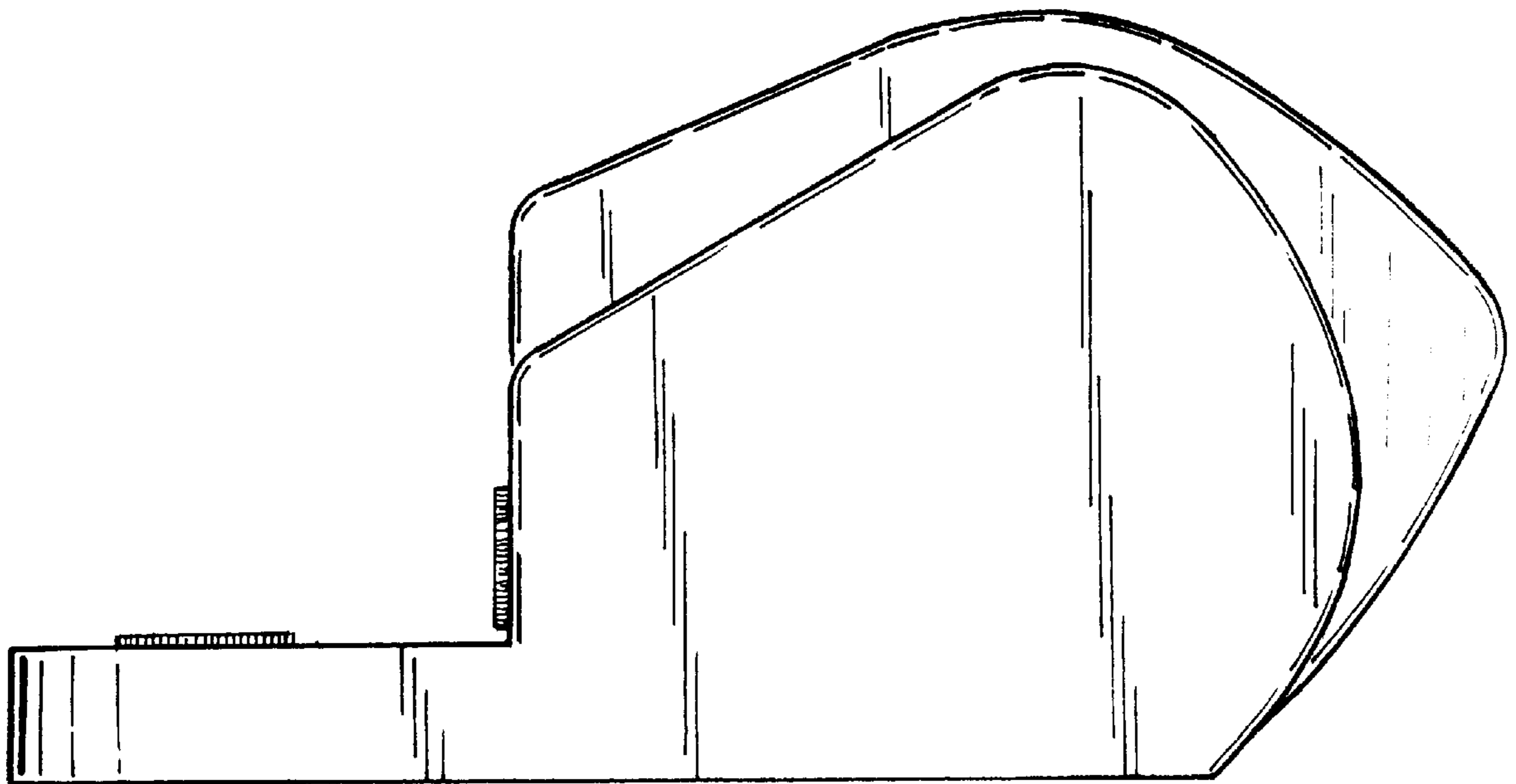


FIG. 5

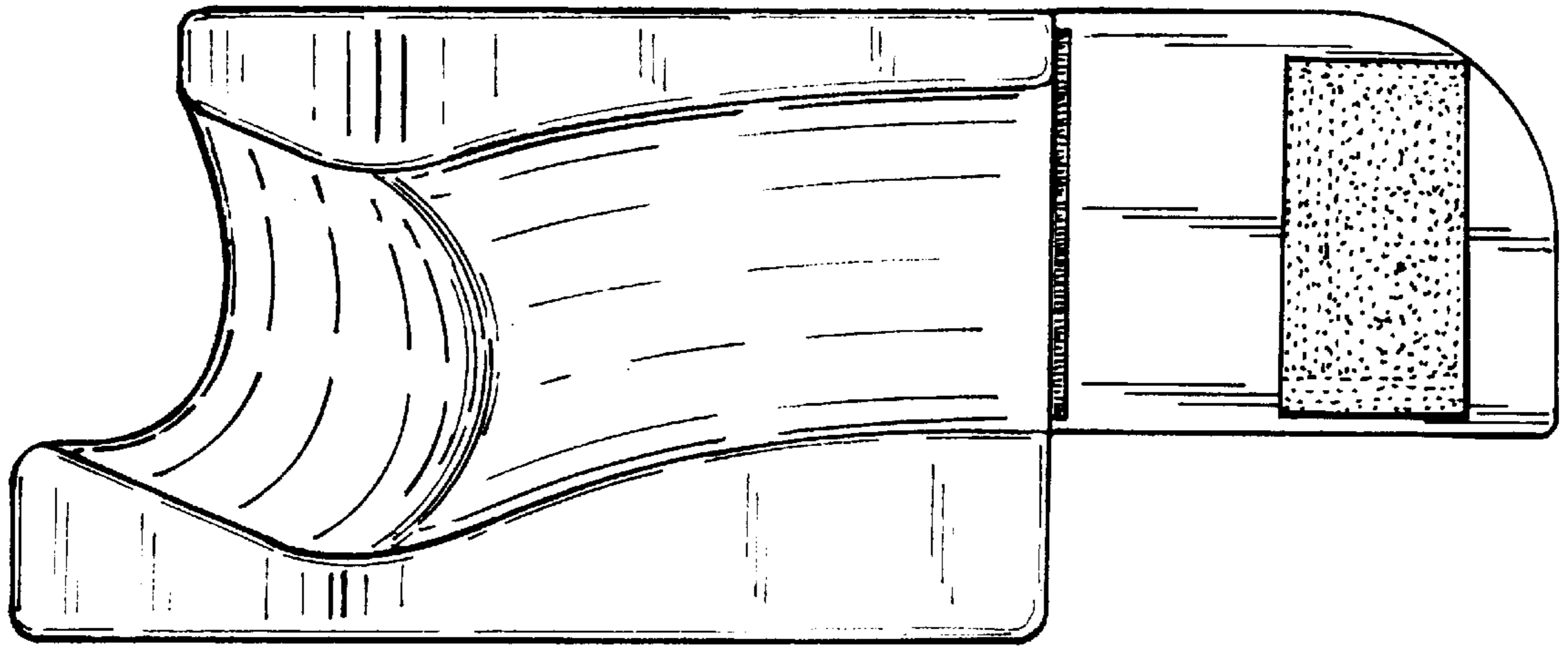


FIG. 6

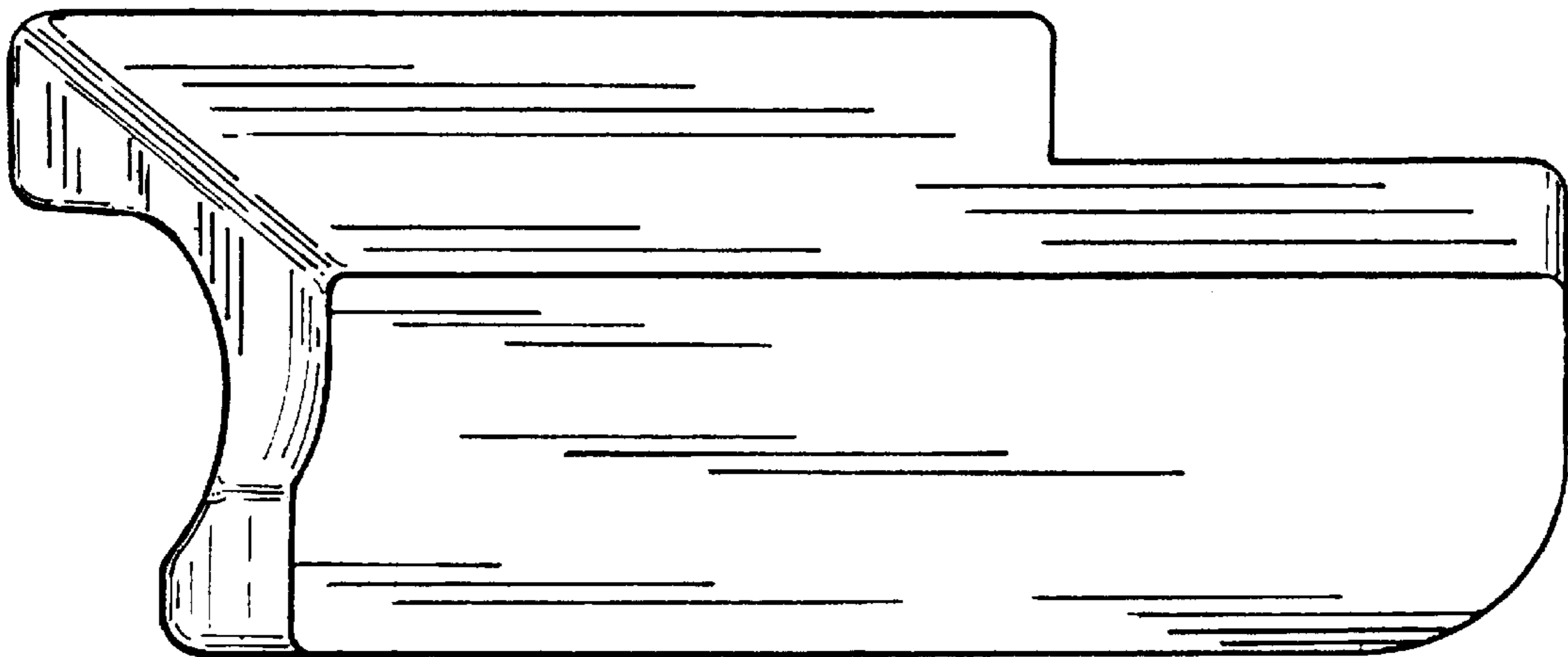


FIG. 7