



US00D413981S

United States Patent [19]

Swedberg et al.

[11] Patent Number: **Des. 413,981**

[45] Date of Patent: **** Sep. 14, 1999**

[54] **KNEE POSITIONING SPLINT**

[75] Inventors: **Lynn M. Swedberg**, Spokane, Wash.;
Karen A. Fula, Milwaukee, Wis.

[73] Assignee: **Smith & Nephew, Inc.**, Memphis,
Tenn.

[**] Term: **14 Years**

[21] Appl. No.: **29/080,909**

[22] Filed: **Dec. 19, 1997**

[51] **LOC (6) Cl.** **24-04**

[52] **U.S. Cl.** **D24/190**

[58] **Field of Search** D24/183, 190-192;
D6/601; 602/6, 5, 24, 23, 26, 27; 5/624,
648, 649, 650; 128/882

[56] **References Cited**

U.S. PATENT DOCUMENTS

D. 334,159	3/1993	Mulligan	D6/601
D. 345,668	4/1994	Braly	.	
D. 345,797	4/1994	Gardner	D24/183
D. 386,643	11/1997	Farrell	D6/601
3,931,654	1/1976	Spann	.	
4,177,806	12/1979	Griffin	.	
4,706,302	11/1987	Padfield et al.	.	
4,736,477	4/1988	Moore	.	

4,805,605	2/1989	Glassman	.	
4,889,109	12/1989	Gifford	.	
4,910,818	3/1990	Grabill et al.	5/650
5,125,123	6/1992	Engle	5/648
5,134,739	8/1992	Gaffe et al.	.	
5,279,310	1/1994	Hsein	5/648
5,289,828	3/1994	Toth	.	
5,745,939	5/1998	Flick et al.	5/648

Primary Examiner—Louis S. Zarfaz
Assistant Examiner—G. Andoll
Attorney, Agent, or Firm—Fulbright & Jaworski L.L.P.

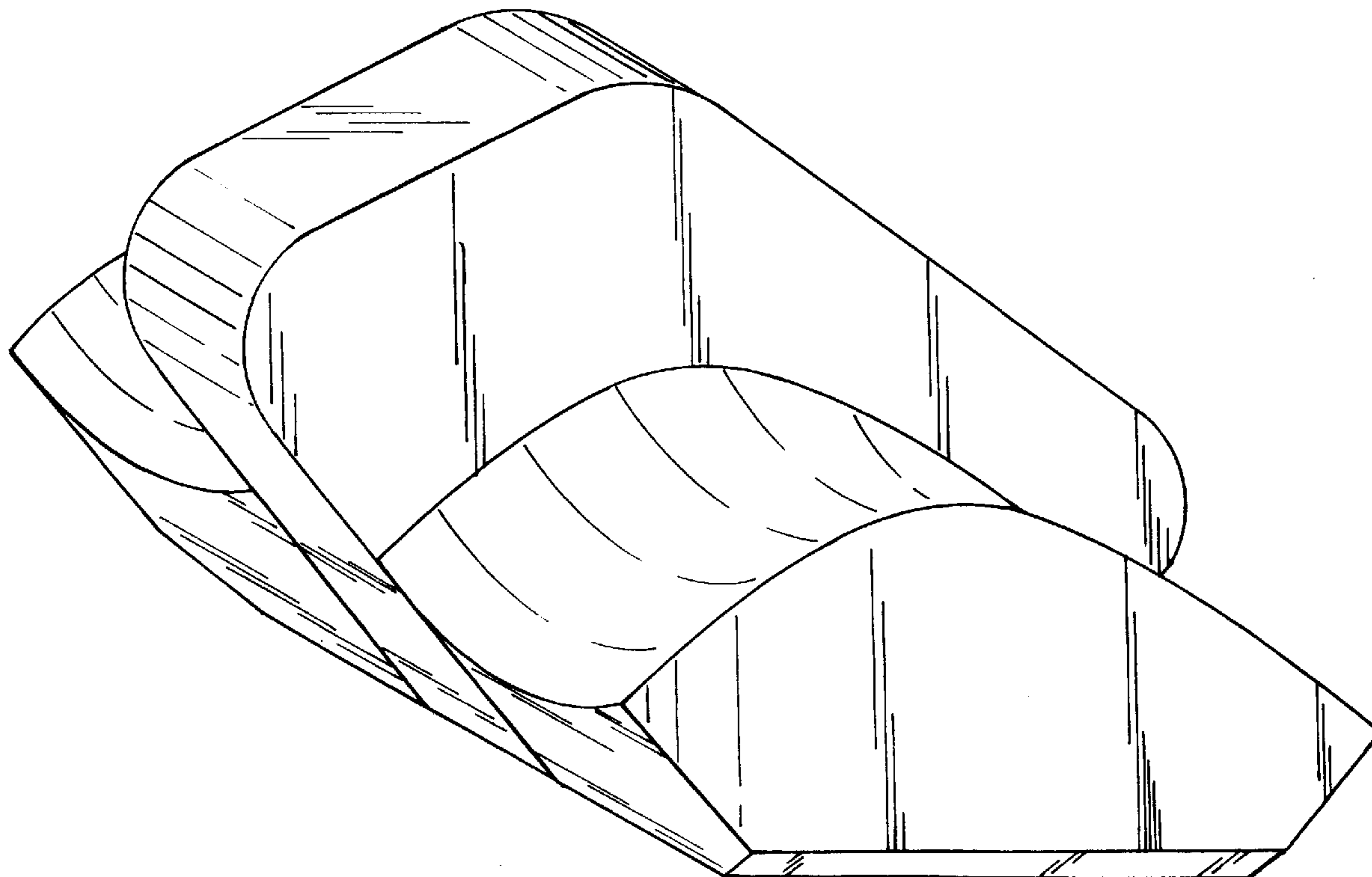
[57] **CLAIM**

The ornamental design for a knee positioning splint, as shown and described.

DESCRIPTION

FIG. 1 is a perspective view of the knee positioning splint; FIG. 2 is a top plan view of the knee positioning splint; FIG. 3 is a bottom plan view of the knee positioning splint; FIG. 4 is a plan view of a first end of the knee positioning splint; FIG. 5 is a plan view of a second end of the knee positioning splint; and, FIG. 6 is a side plan view of the knee positioning splint, the other side plan being a mirror image thereof.

1 Claim, 4 Drawing Sheets



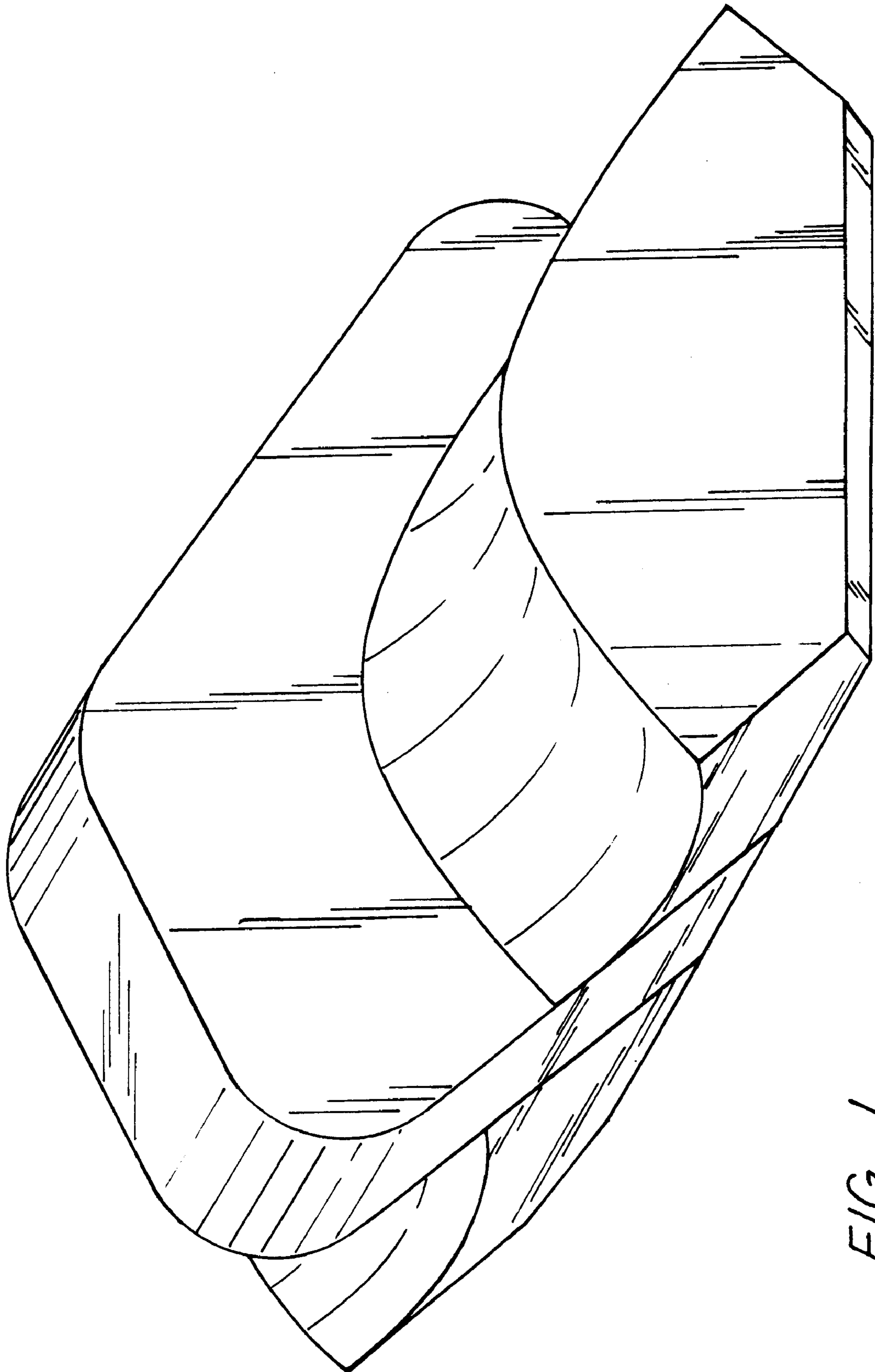


FIG. 1

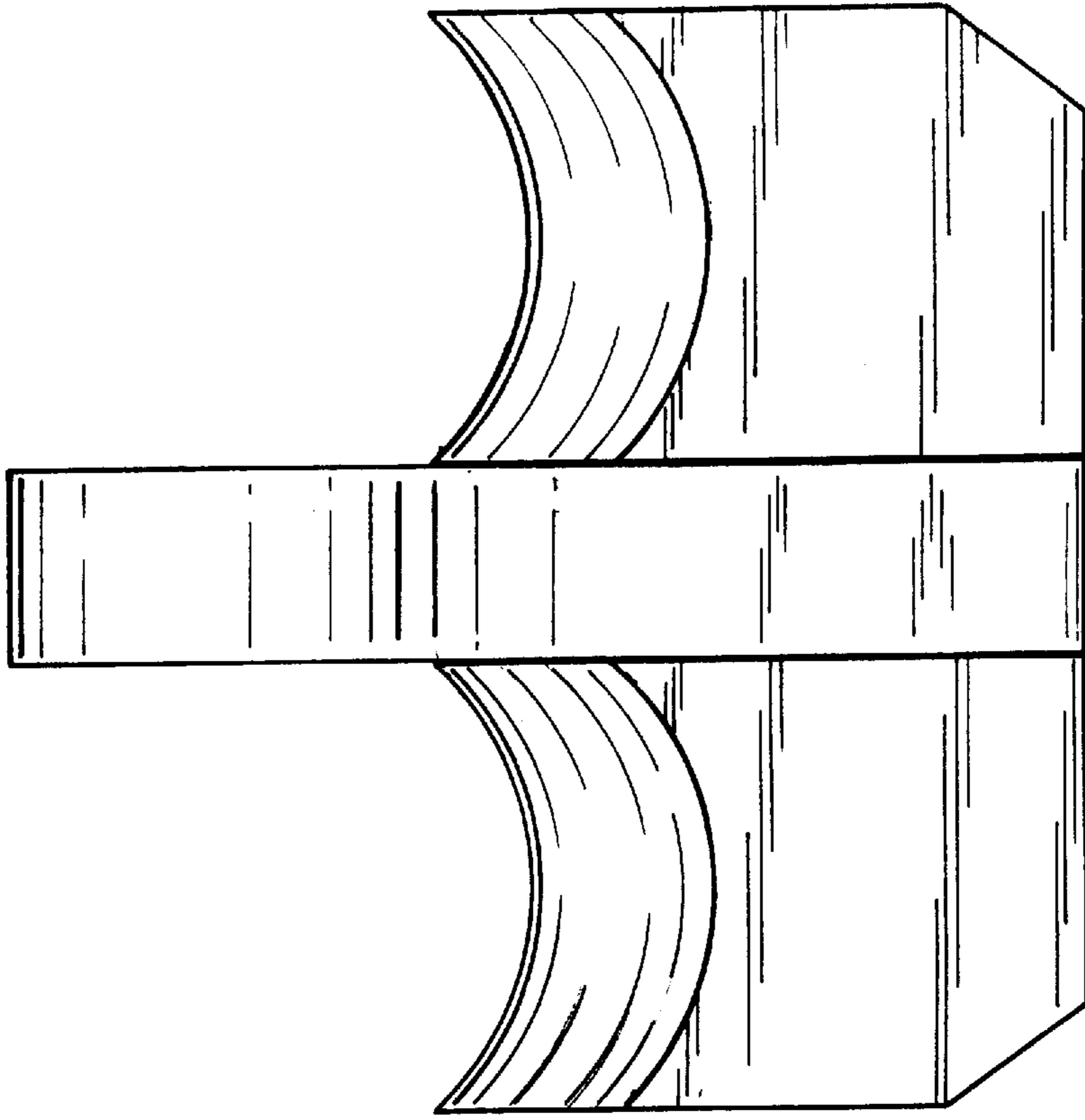


FIG. 3

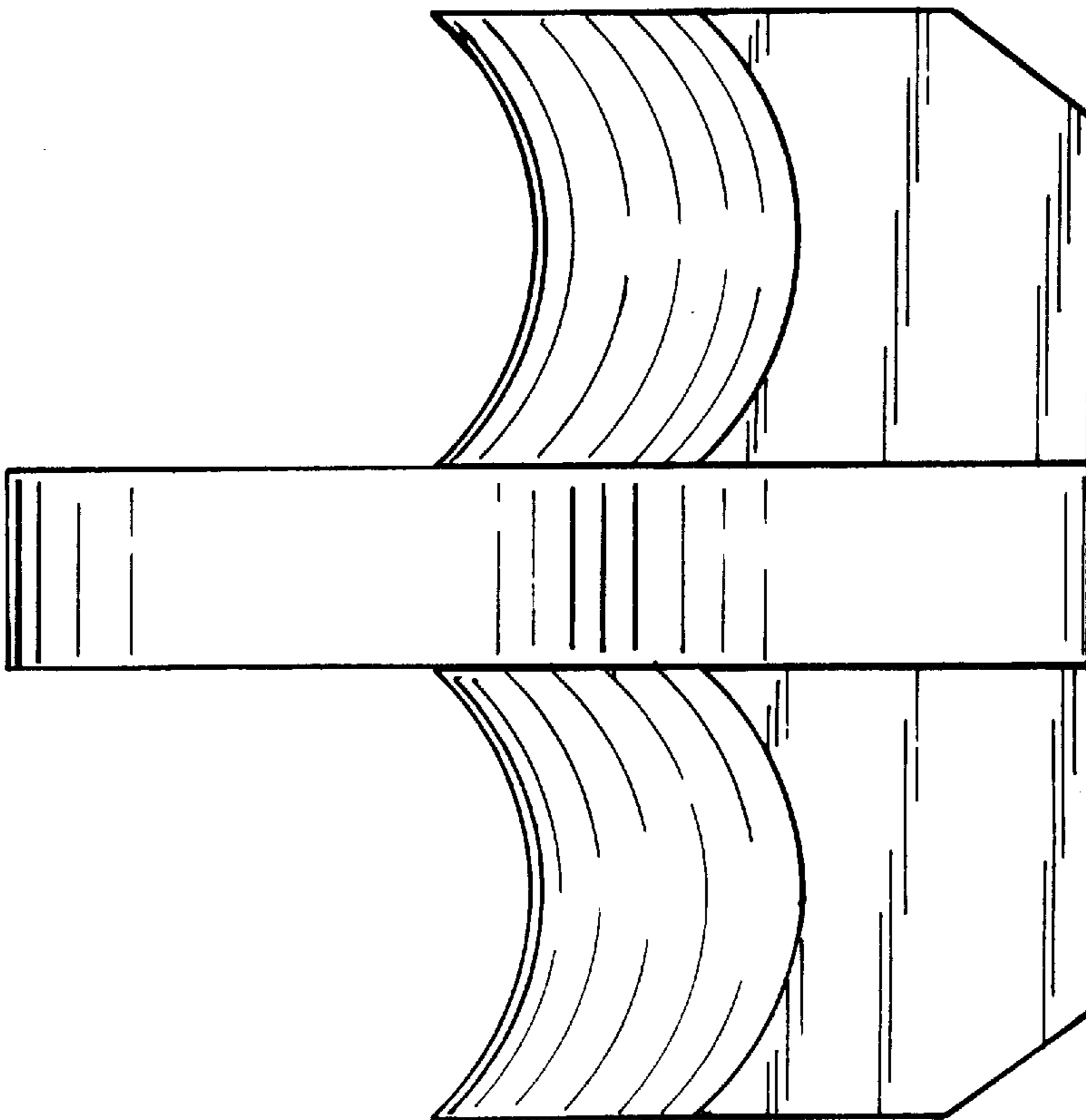


FIG. 2

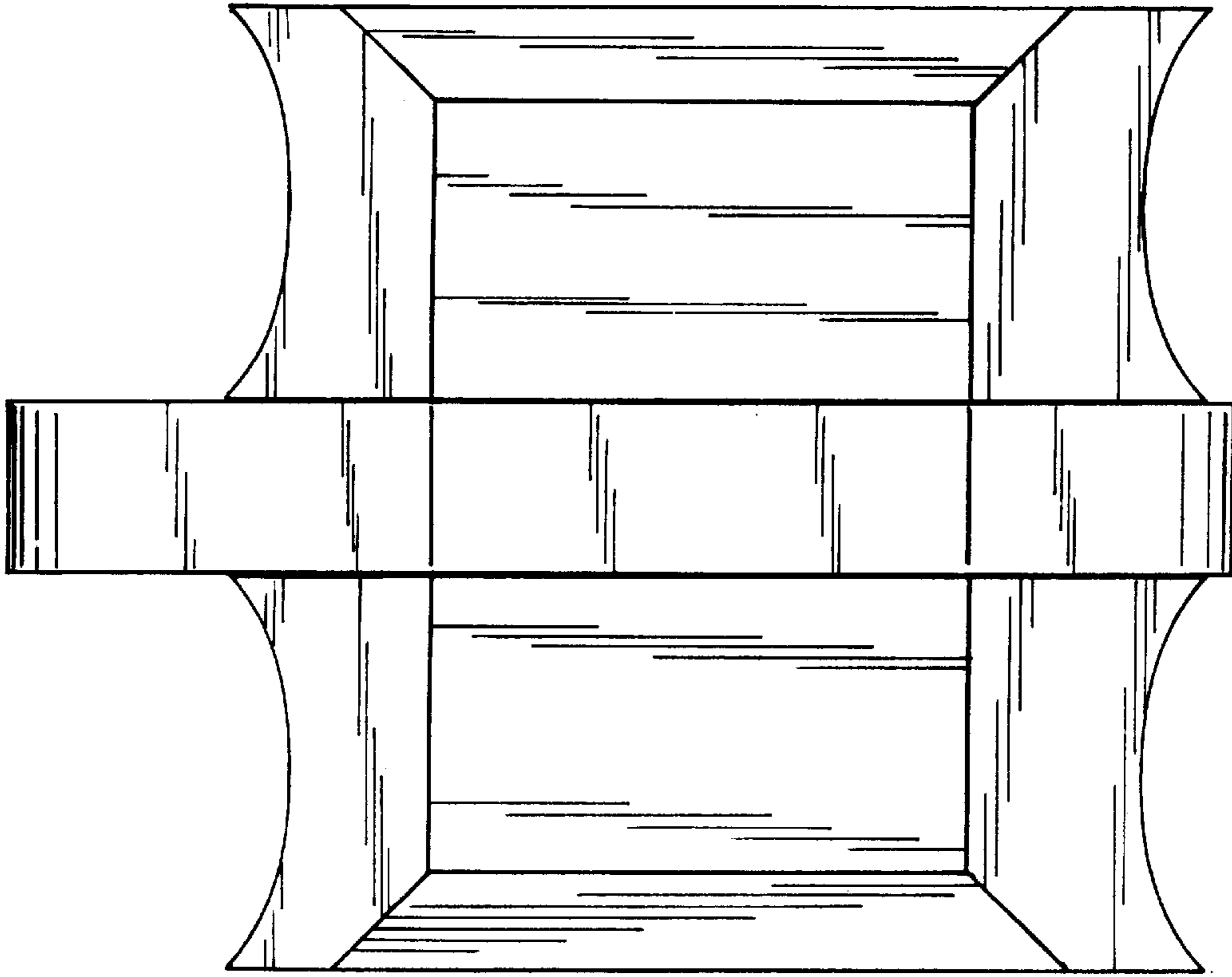


FIG. 5

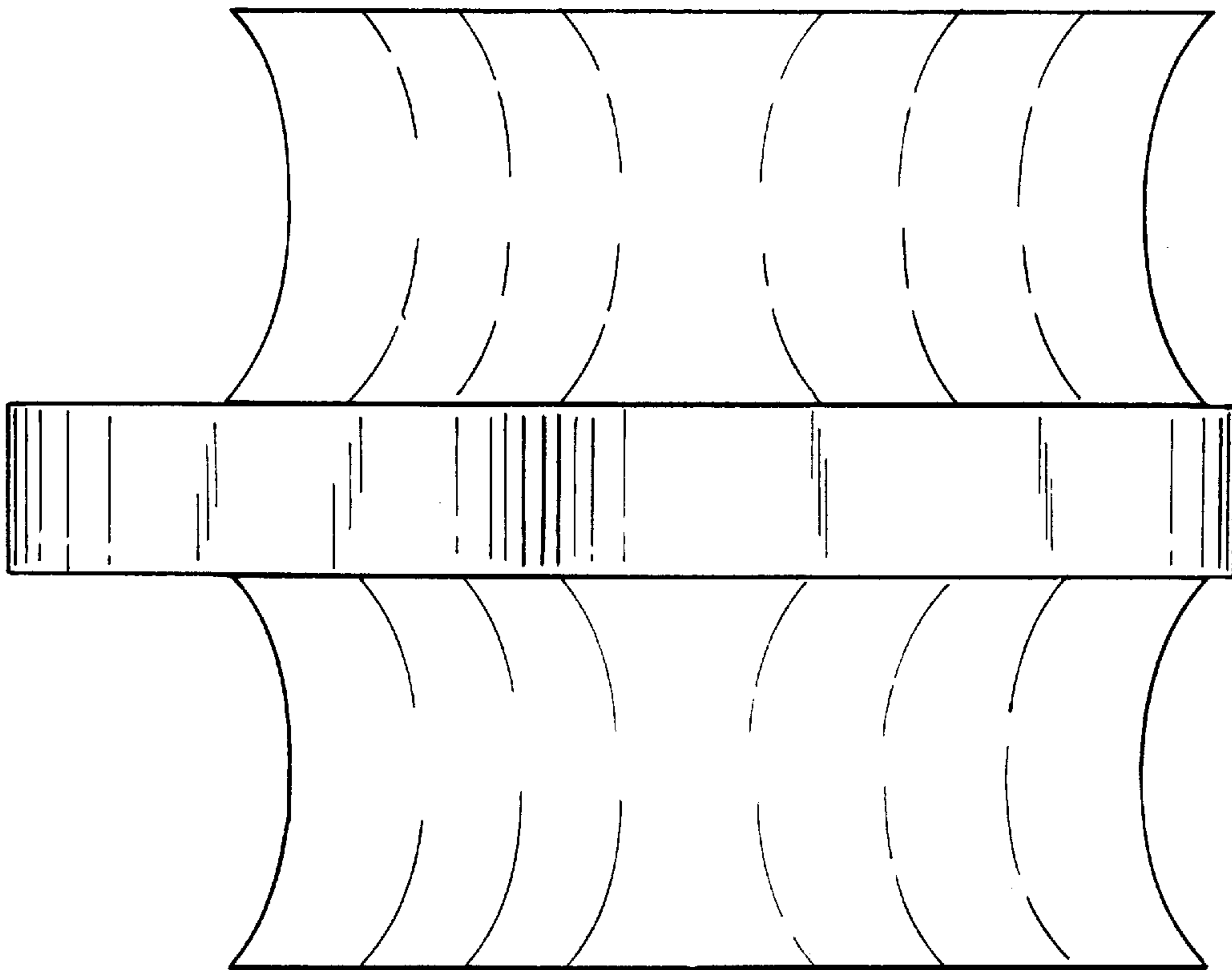


FIG. 4

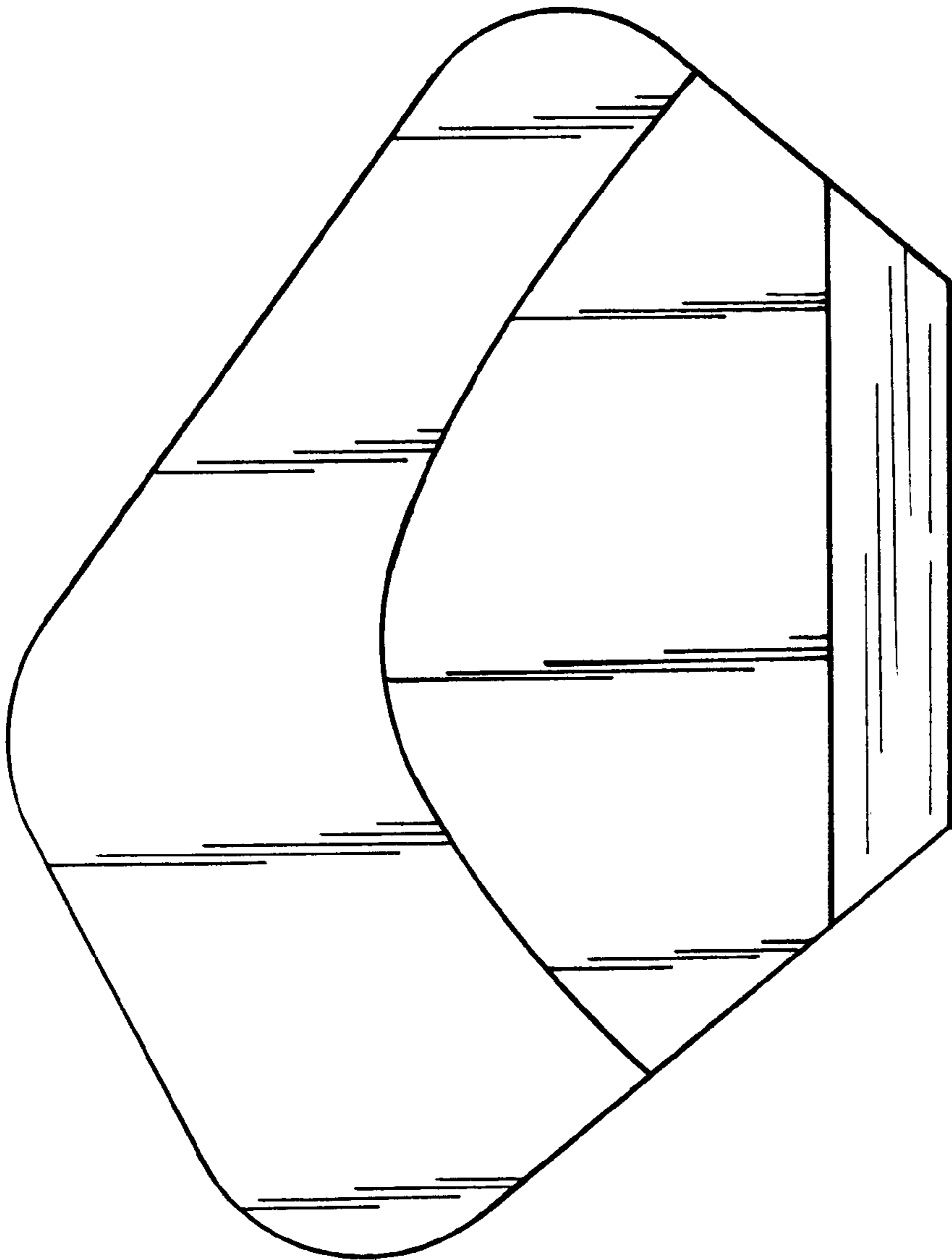


FIG. 6