



US00D413979S

United States Patent [19]
Cooper et al.

[11] **Patent Number: Des. 413,979**

[45] **Date of Patent: ** Sep. 14, 1999**

[54] **VISION SCREENER**

[75] Inventors: **Devin G. Cooper**, Fairport; **Joshua L. Page**, Rochester, both of N.Y.

[73] Assignee: **Welch Allyn, Inc.**, Skaneateles Falls, N.Y.

[**] Term: **14 Years**

[21] Appl. No.: **29/089,824**

[22] Filed: **Jun. 24, 1998**

[51] **LOC (6) Cl.** **24-01**

[52] **U.S. Cl.** **D24/172**

[58] **Field of Search** D24/172; 351/222, 351/223, 243, 244, 245

[56] **References Cited**

U.S. PATENT DOCUMENTS

- D. 345,213 3/1994 Shalon et al. D24/172
- D. 348,224 6/1994 Hayashi D24/172 X

- D. 348,931 7/1994 Torrey D24/172
- D. 370,260 5/1996 Torrey D24/172
- 4,764,007 8/1988 Task 351/243
- 4,998,820 3/1991 Salibello 351/243

Primary Examiner—Stella Reid
Attorney, Agent, or Firm—Wall Marjama Bilinski & Burr

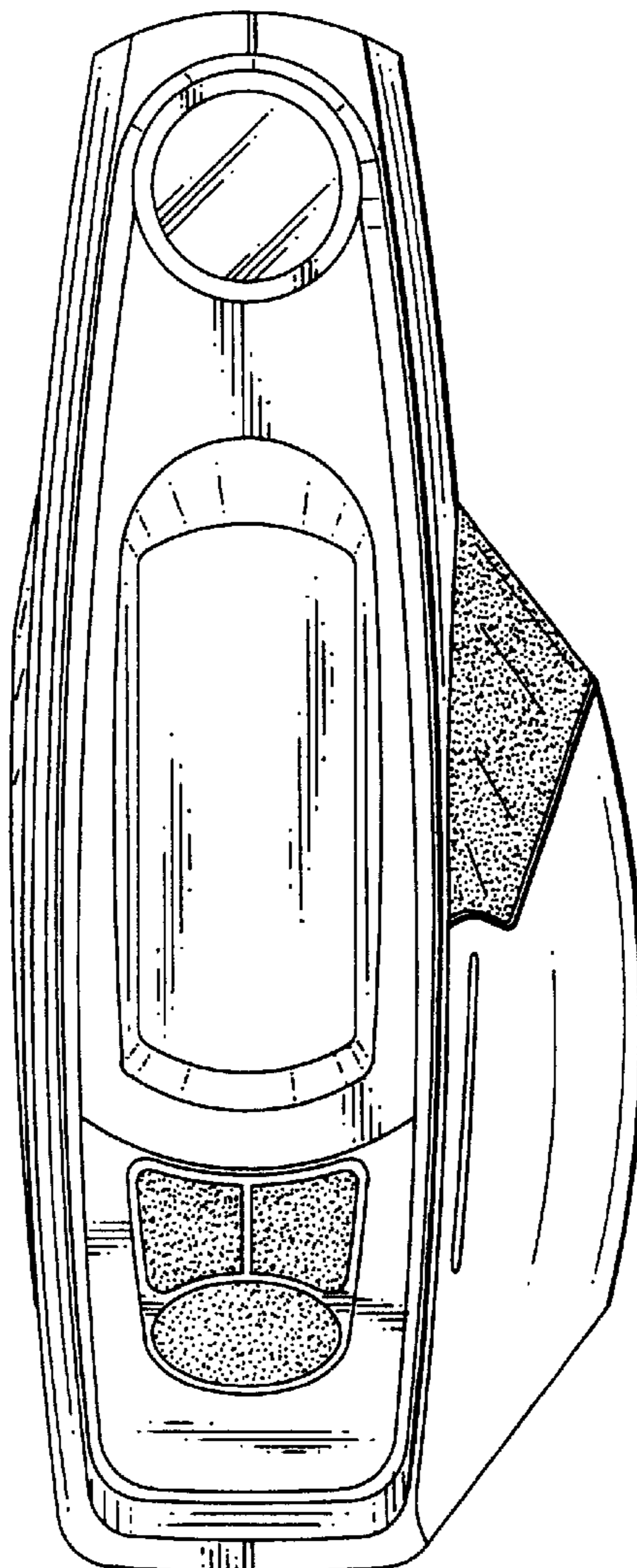
[57] **CLAIM**

The ornamental design for a vision screener, as shown and described.

DESCRIPTION

FIG. 1 is a side elevational view of a vision screener, showing our new design;
FIG. 2 is a front elevational view thereof;
FIG. 3 is a side elevation view thereof;
FIG. 4 is a rear view thereof;
FIG. 5 is a top view thereof; and,
FIG. 6 is a bottom view thereof.

1 Claim, 3 Drawing Sheets



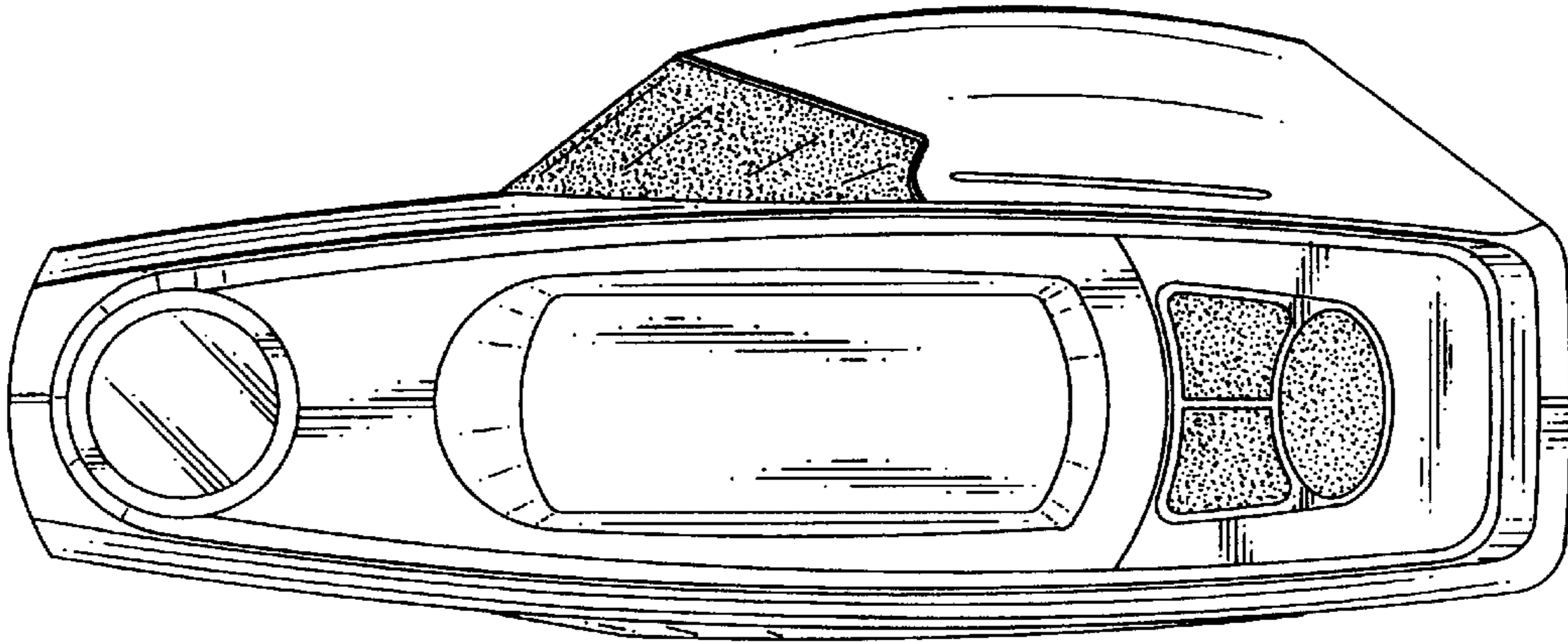


FIG. 2

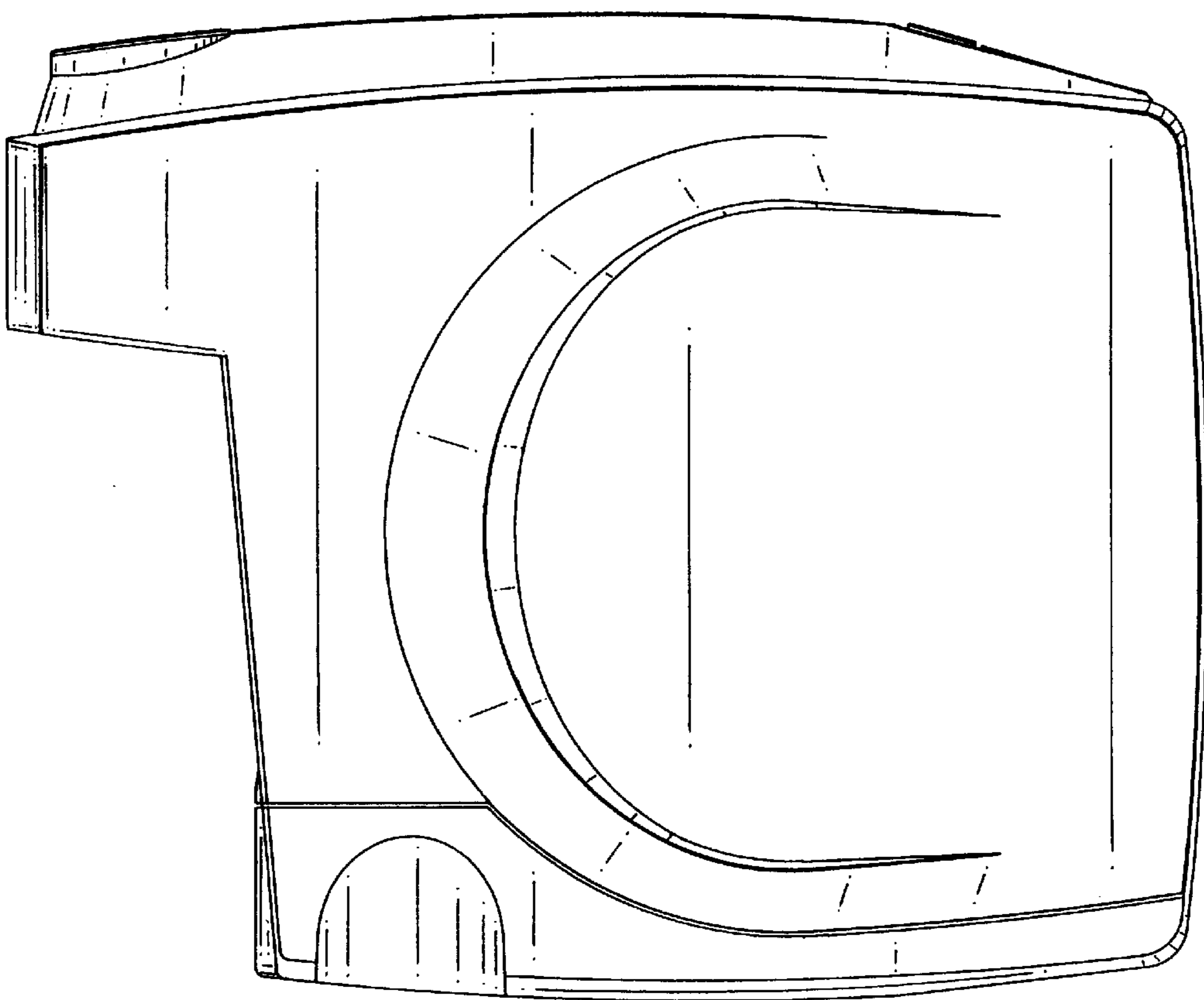


FIG. 1

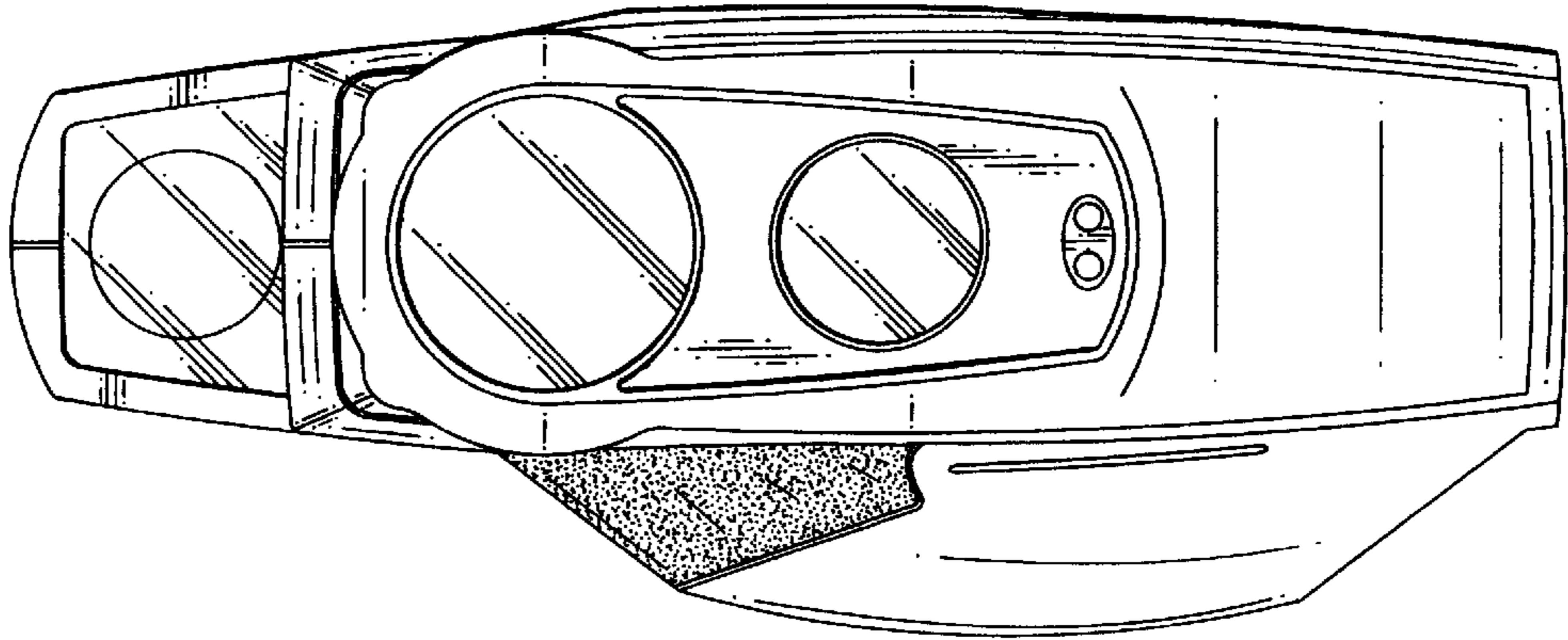


FIG.4

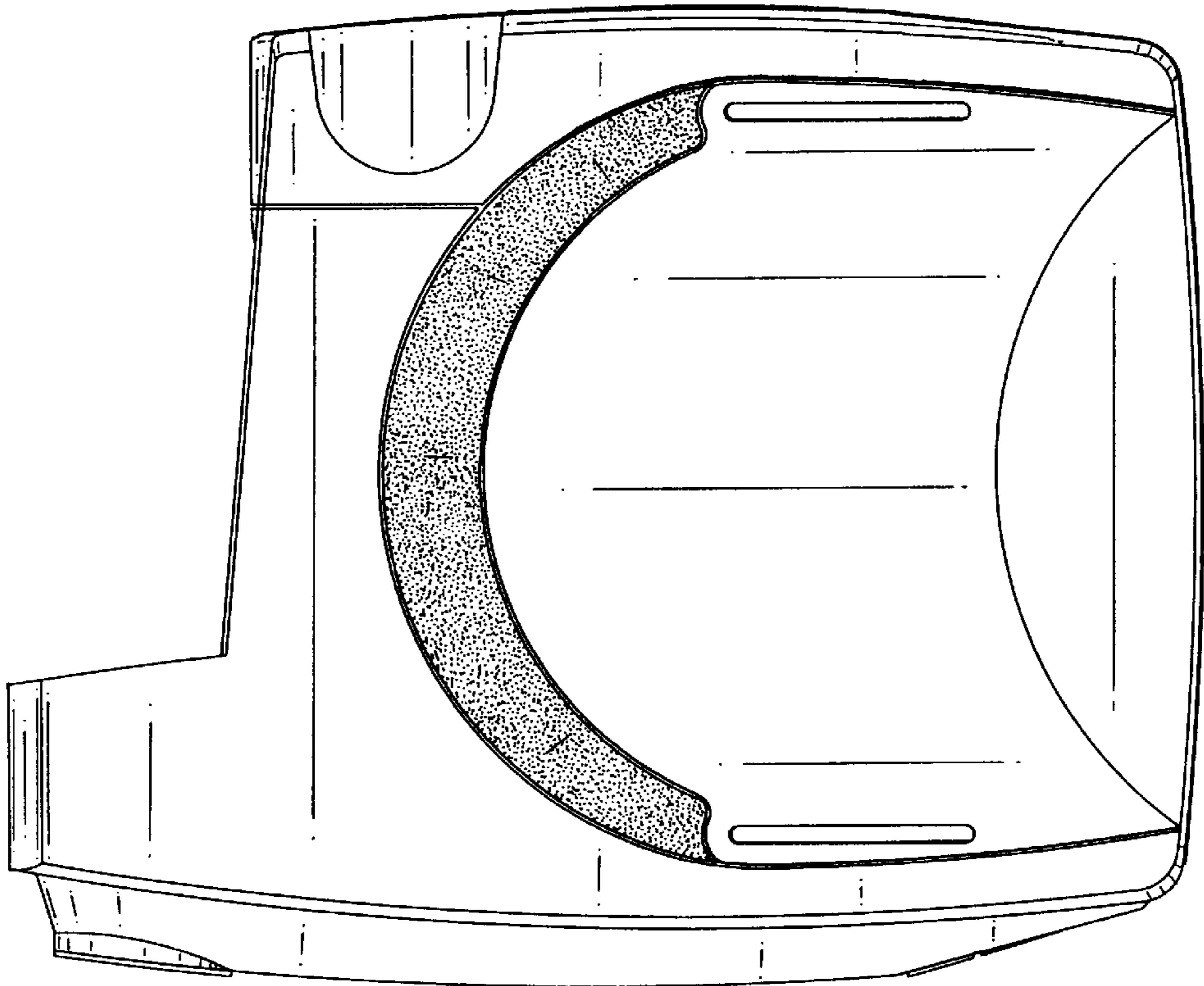


FIG.3

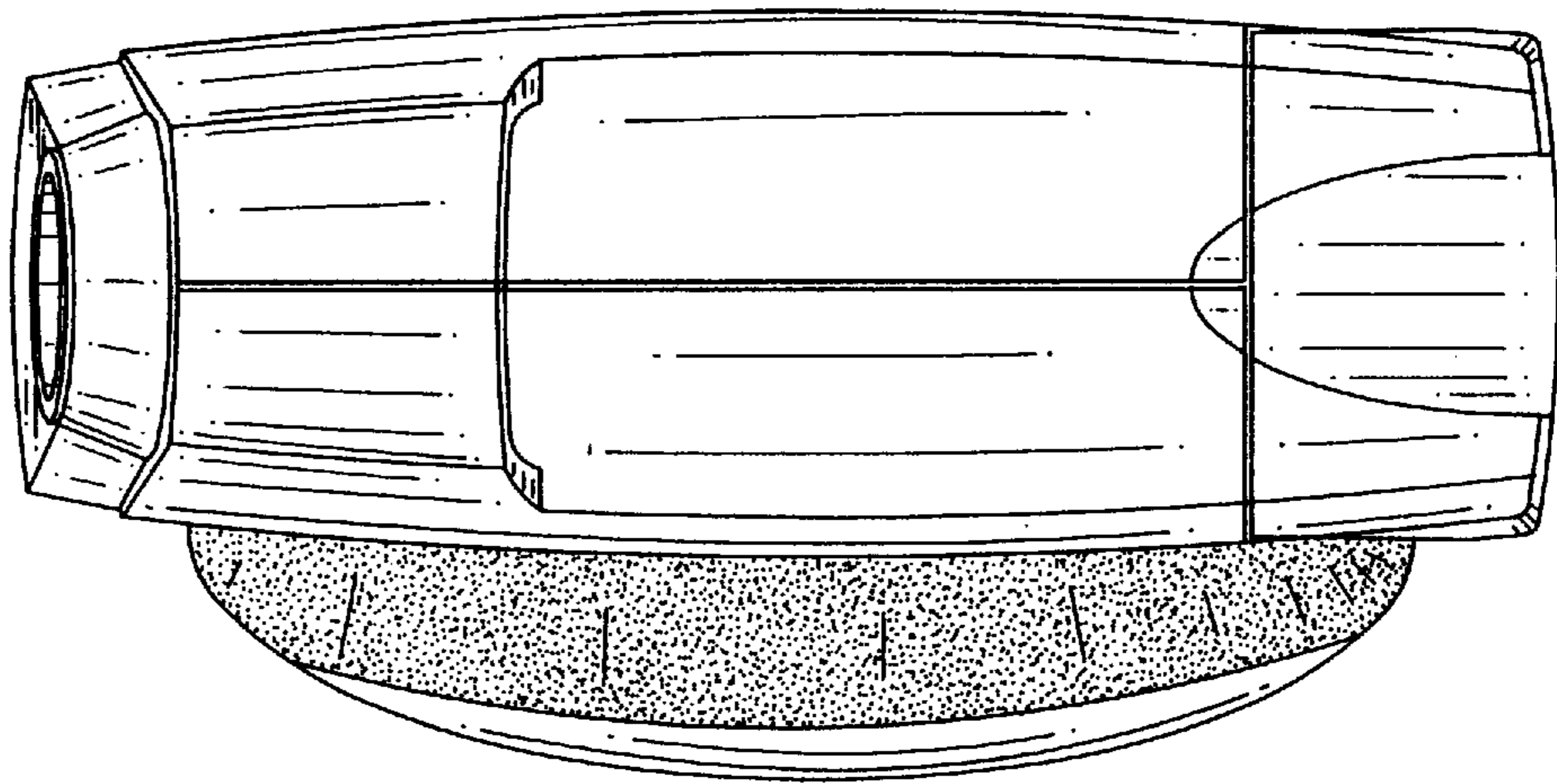


FIG.5

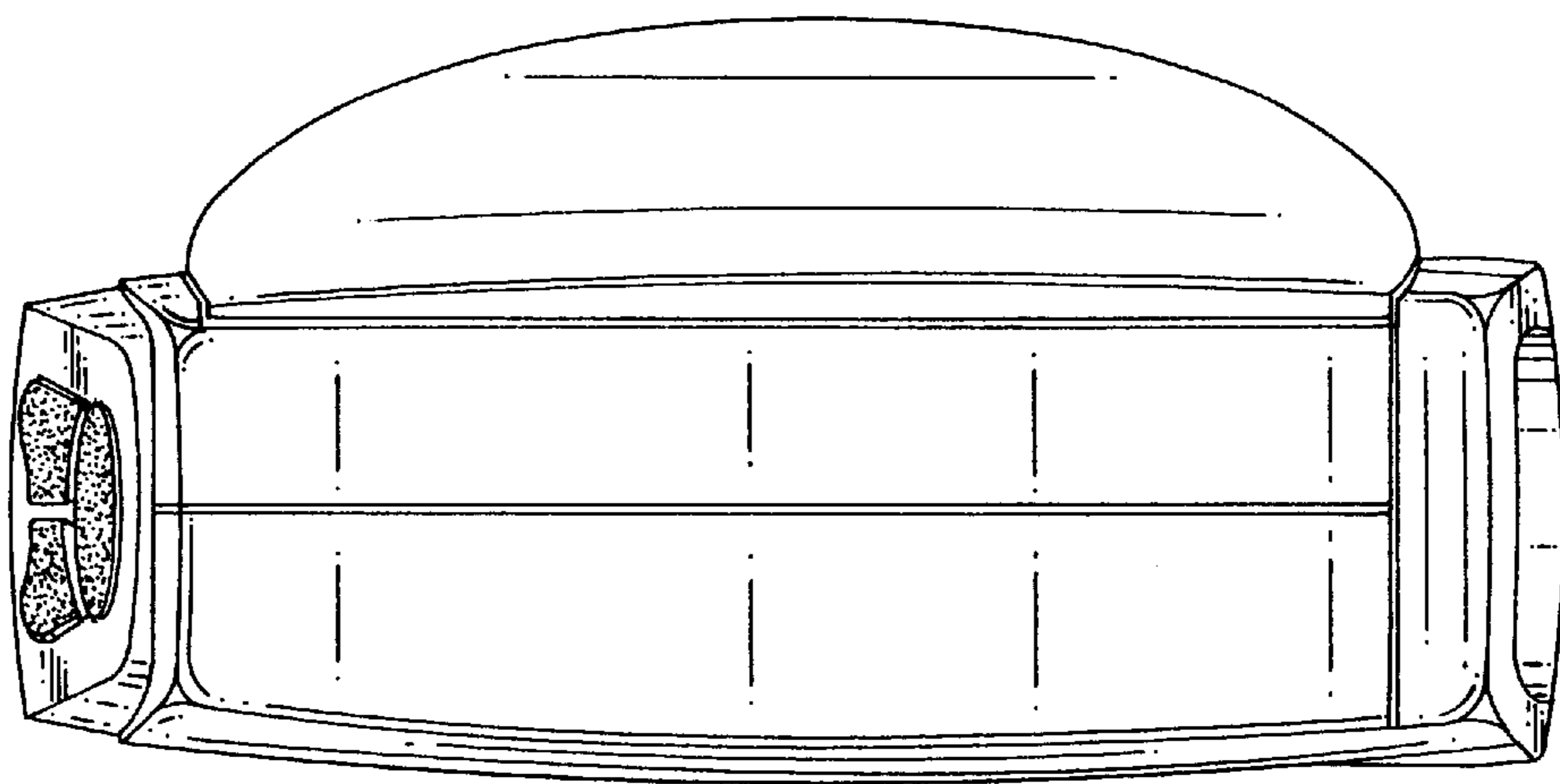


FIG.6