



US00D413977S

United States Patent [19]

Cranton et al.

[11] Patent Number: Des. 413,977

[45] Date of Patent: ** Sep. 14, 1999

[54] LARYNGOSCOPE BLADE

[76] Inventors: **George D. Cranton**, 7617 Hunters La.,
Pinellas Park, Fla. 34666; **Barry L. Wall**, 1 Beach Dr., Unit 2608, St.
Petersburg, Fla. 33701

4,924,855 5/1990 Salerno et al. 128/11
4,947,896 8/1990 Bartlett 128/11
4,958,624 9/1990 Stone et al. 600/199
5,003,962 4/1991 Choi 128/11
5,063,907 11/1991 Musicant et al. 128/10
5,888,195 3/1999 Schneider 600/199

[**] Term: 14 Years

Primary Examiner—Louis S. Zarfes
Assistant Examiner—I Simmons
Attorney, Agent, or Firm—Harold D. Shall

[21] Appl. No.: 29/088,489

[22] Filed: May 26, 1998

[57] CLAIM

[51] LOC (6) Cl. 24-02

[52] U.S. Cl. D24/138

[58] Field of Search D24/137, 136,
D24/138; 600/190, 193, 194, 199, 185,
187, 186, 188

The ornamental design for a “laryngoscope blade,” as shown.

DESCRIPTION

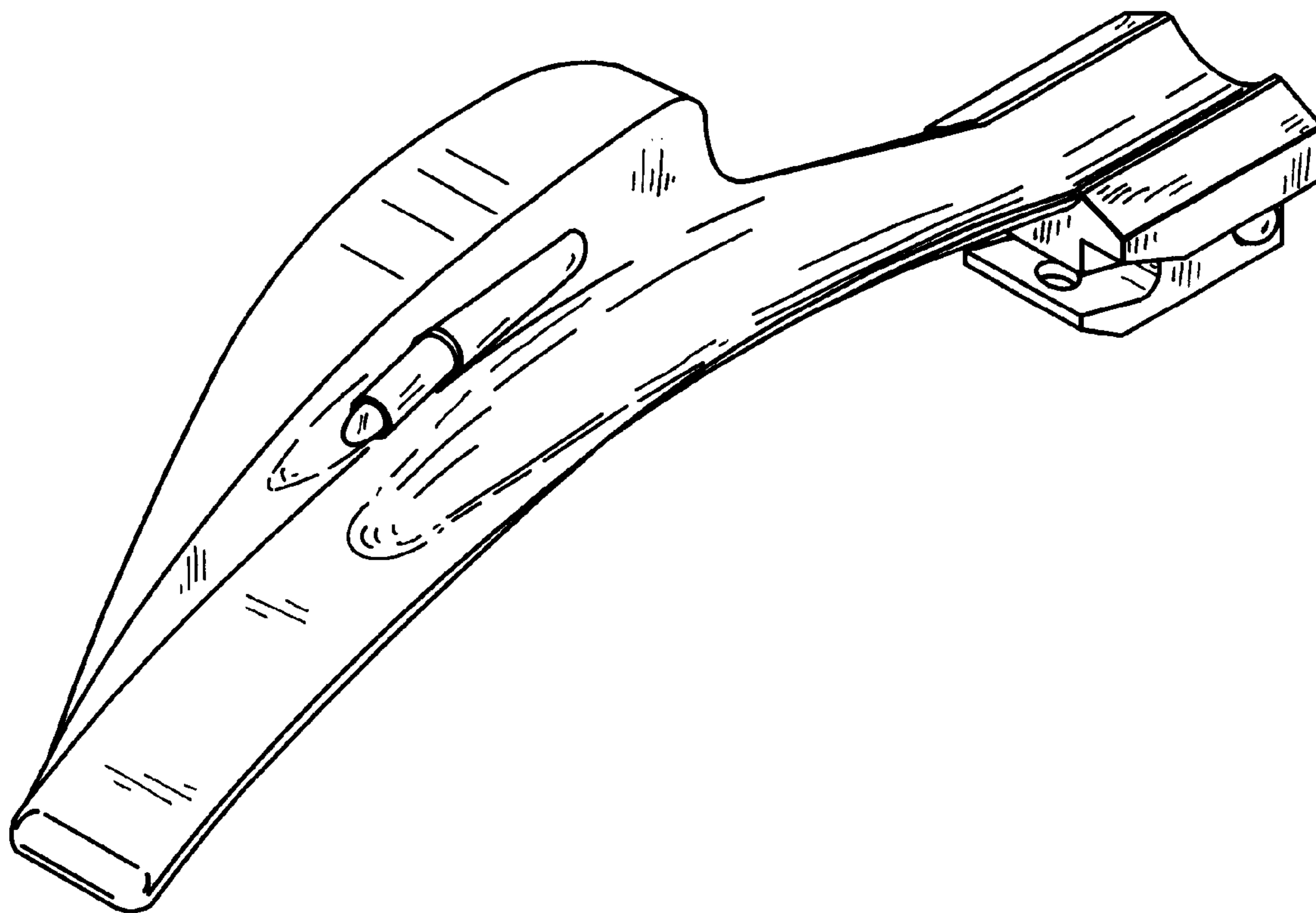
[56] References Cited

U.S. PATENT DOCUMENTS

D. 297,363 8/1988 Salerno et al. D24/18
D. 312,500 11/1990 Abadir D24/18
2,354,471 7/1944 Macintosh .
4,295,465 10/1981 Raez et al. 128/11
4,705,024 11/1987 Bainton 128/11

FIG. 1 is a perspective view of a laryngoscope blade showing my new design;
FIG. 2 is a front elevational view;
FIG. 3 is a rear elevational view;
FIG. 4 left side elevational view;
FIG. 5 is a right side elevational view;
FIG. 6 is a top plan view; and,
FIG. 7 is a bottom plan view.

1 Claim, 2 Drawing Sheets



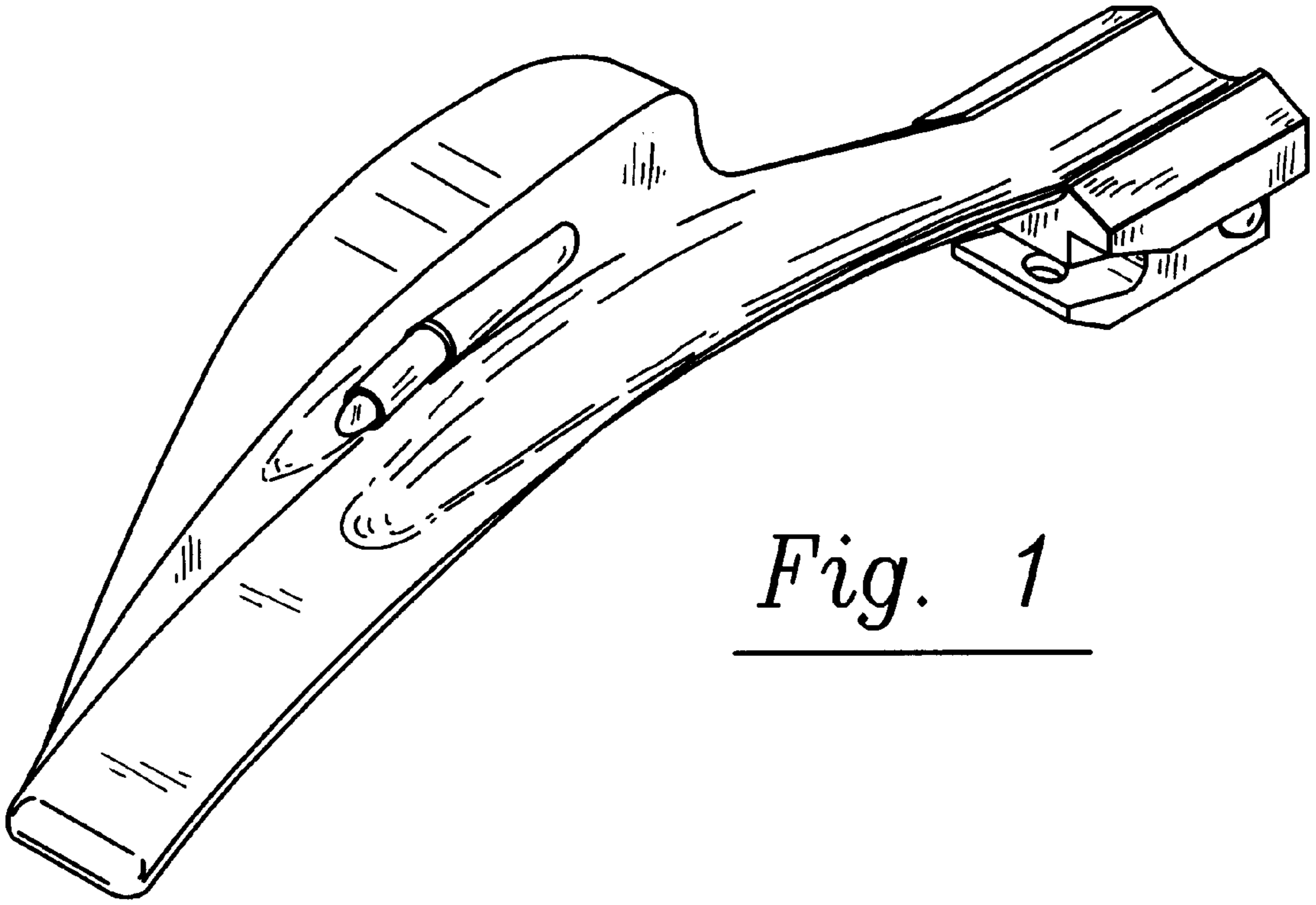


Fig. 1

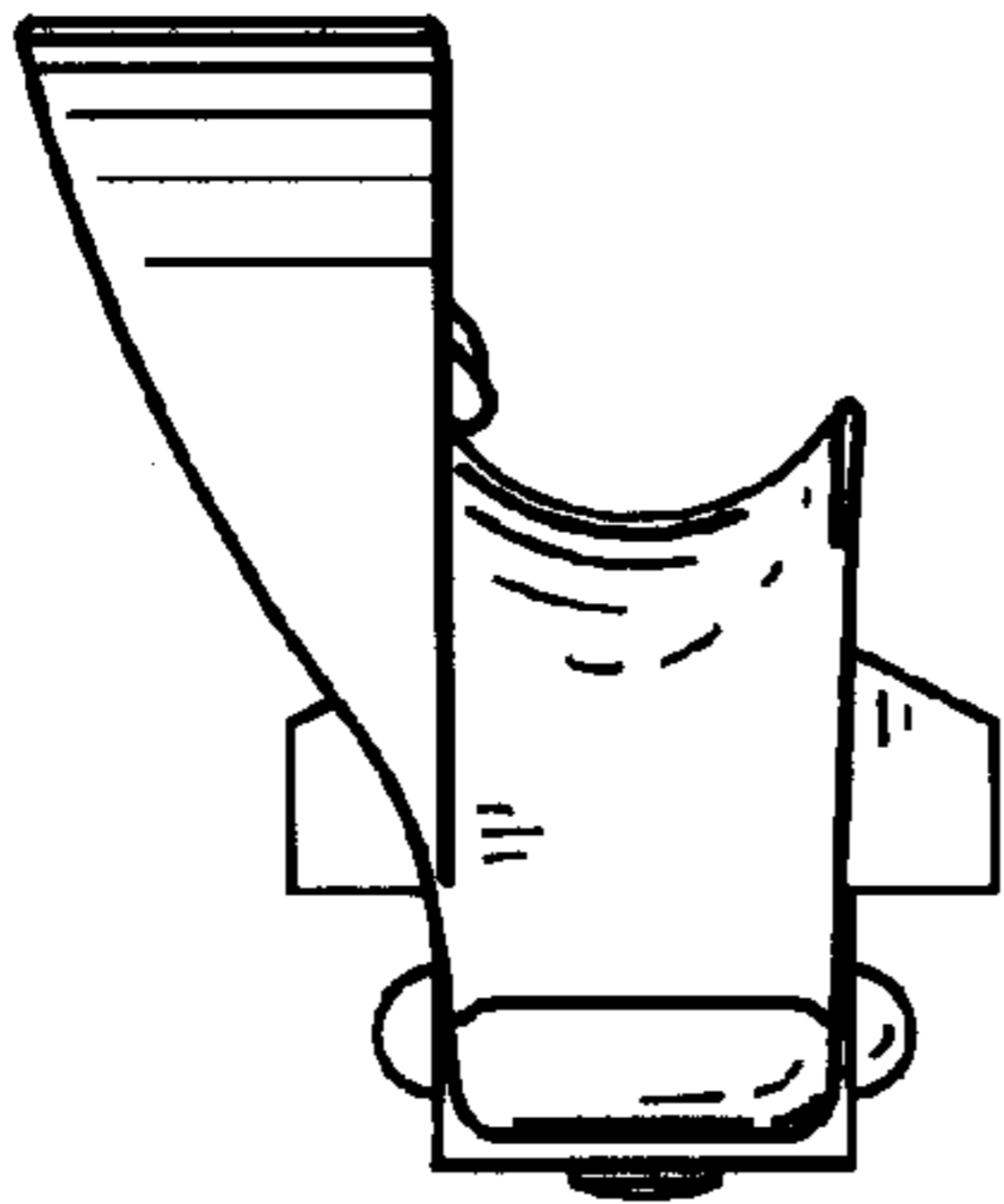


Fig. 2

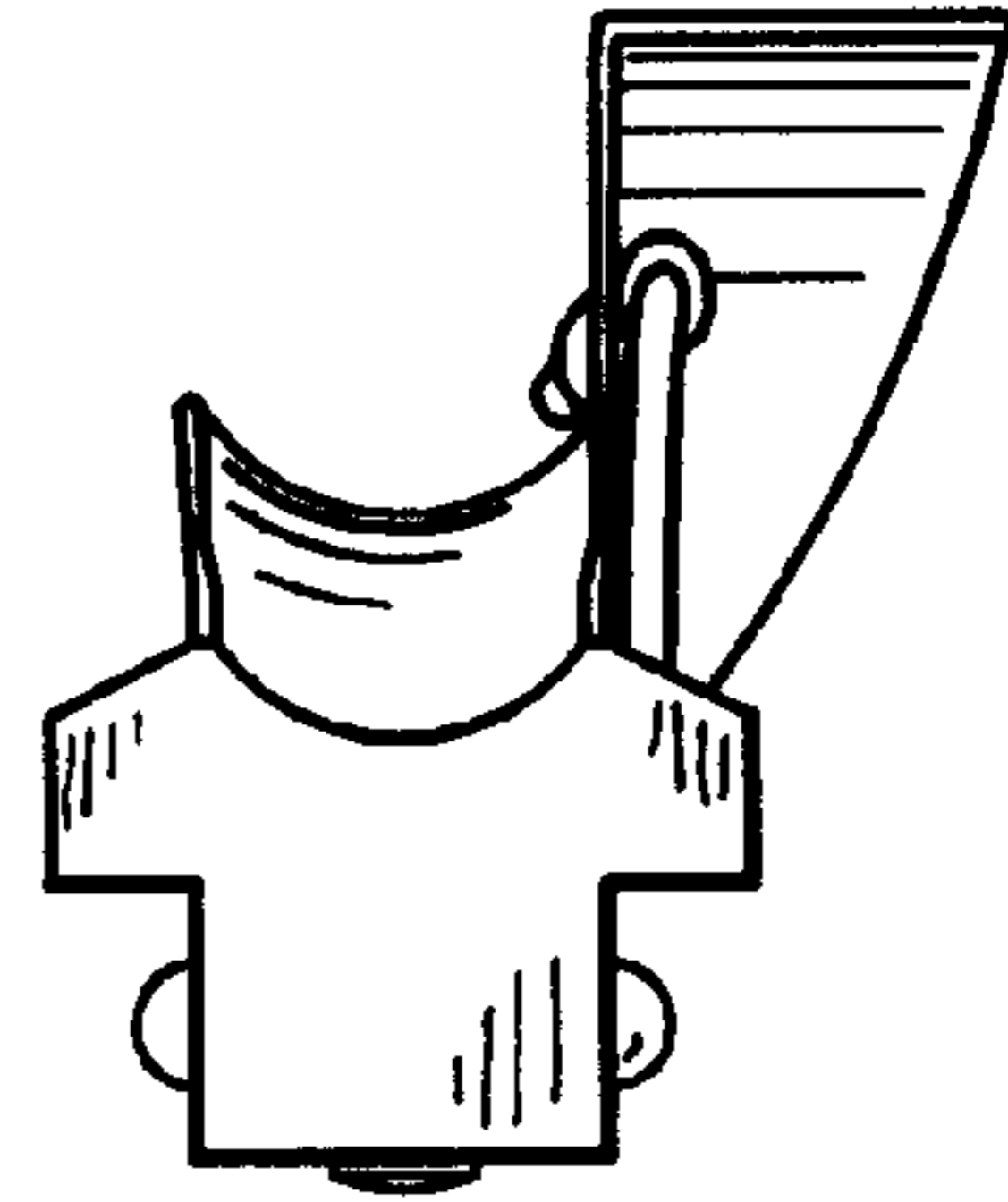


Fig. 3

