



US00D413976S

United States Patent [19]
Dinkler

[11] **Patent Number: Des. 413,976**

[45] **Date of Patent: ** Sep. 14, 1999**

[54] **DISPOSABLE SKULL PIN**

5,197,965 3/1993 Cherry et al. .

[75] Inventor: **Charles Dinkler**, Cincinnati, Ohio

Primary Examiner—Stella Reid

Assistant Examiner—I Simmons

[73] Assignee: **Ohio Medical Instrument Company, Inc.**, Cincinnati, Ohio

Attorney, Agent, or Firm—Wood, Herron & Evans, LLP

[**] Term: **14 Years**

[57] **CLAIM**

The ornamental design for a disposable skull pin, as shown and described.

[21] Appl. No.: **29/083,039**

[22] Filed: **Feb. 3, 1998**

DESCRIPTION

[51] **LOC (6) Cl.** **24-02**

FIG. 1 is a perspective view of a disposable skull pin in accordance with the present invention.

[52] **U.S. Cl.** **D24/127; D24/128**

FIG. 2 is a side view of the disposable skull shown in FIG. 1.

[58] **Field of Search** D24/133, 142, D24/128, 155, 191, 190, 171; 602/17, 18, 37; 606/72, 76, 54; 128/898, DIG. 23

FIG. 3 is a front view of the disposable skull pin shown in FIGS. 1 and 2; and,

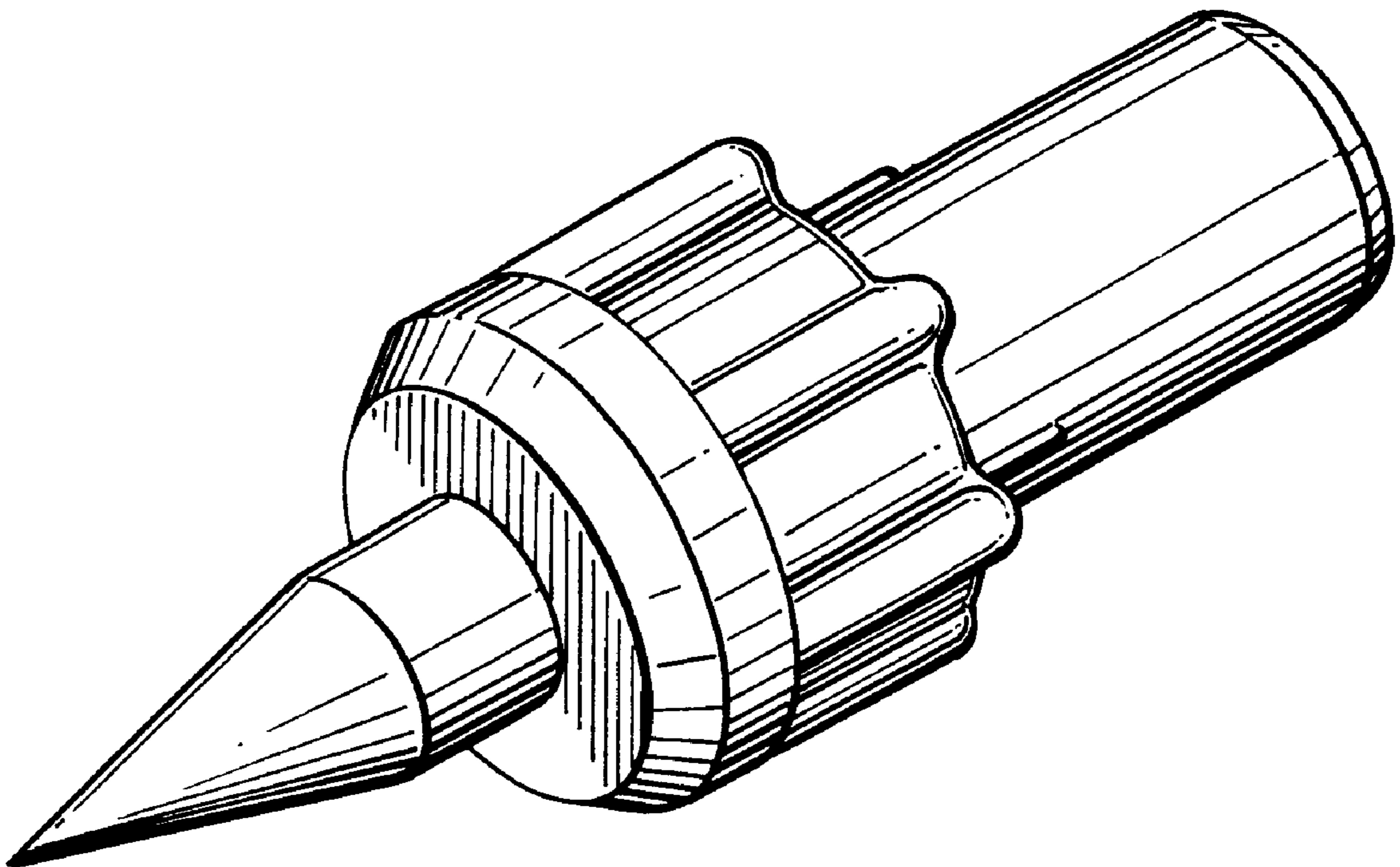
[56] **References Cited**

FIG. 4 is a rear view of the disposable skull pin shown in FIGS. 1 and 2.

U.S. PATENT DOCUMENTS

4,169,478 10/1979 Hickmann 602/37 X

1 Claim, 1 Drawing Sheet



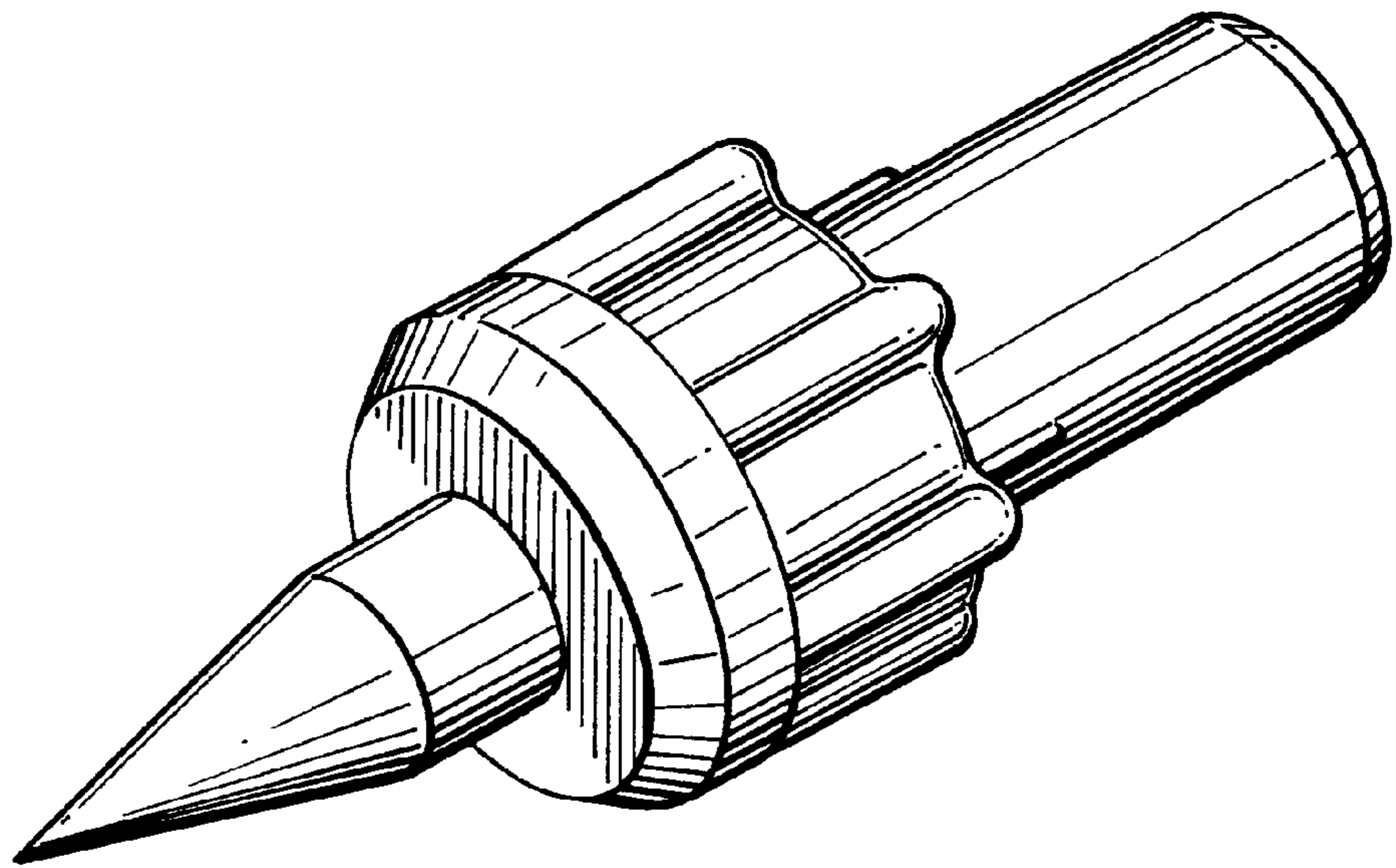


FIG. 1

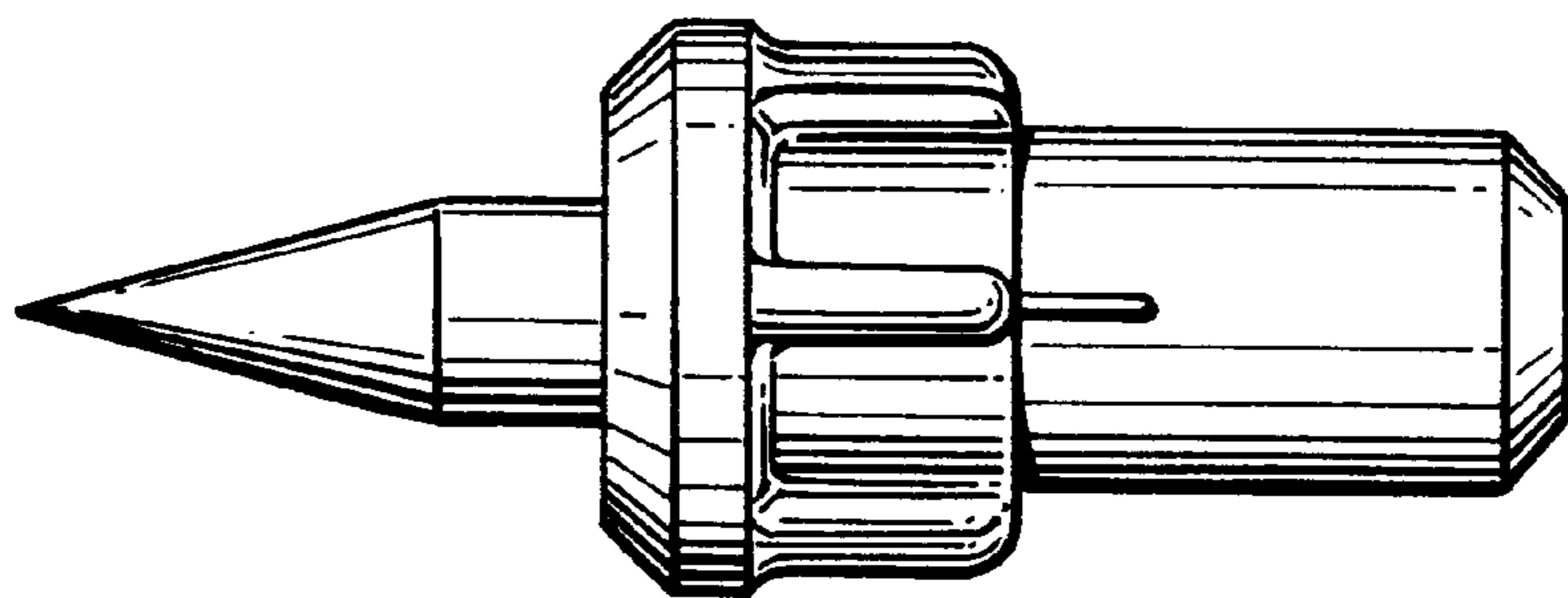


FIG. 2

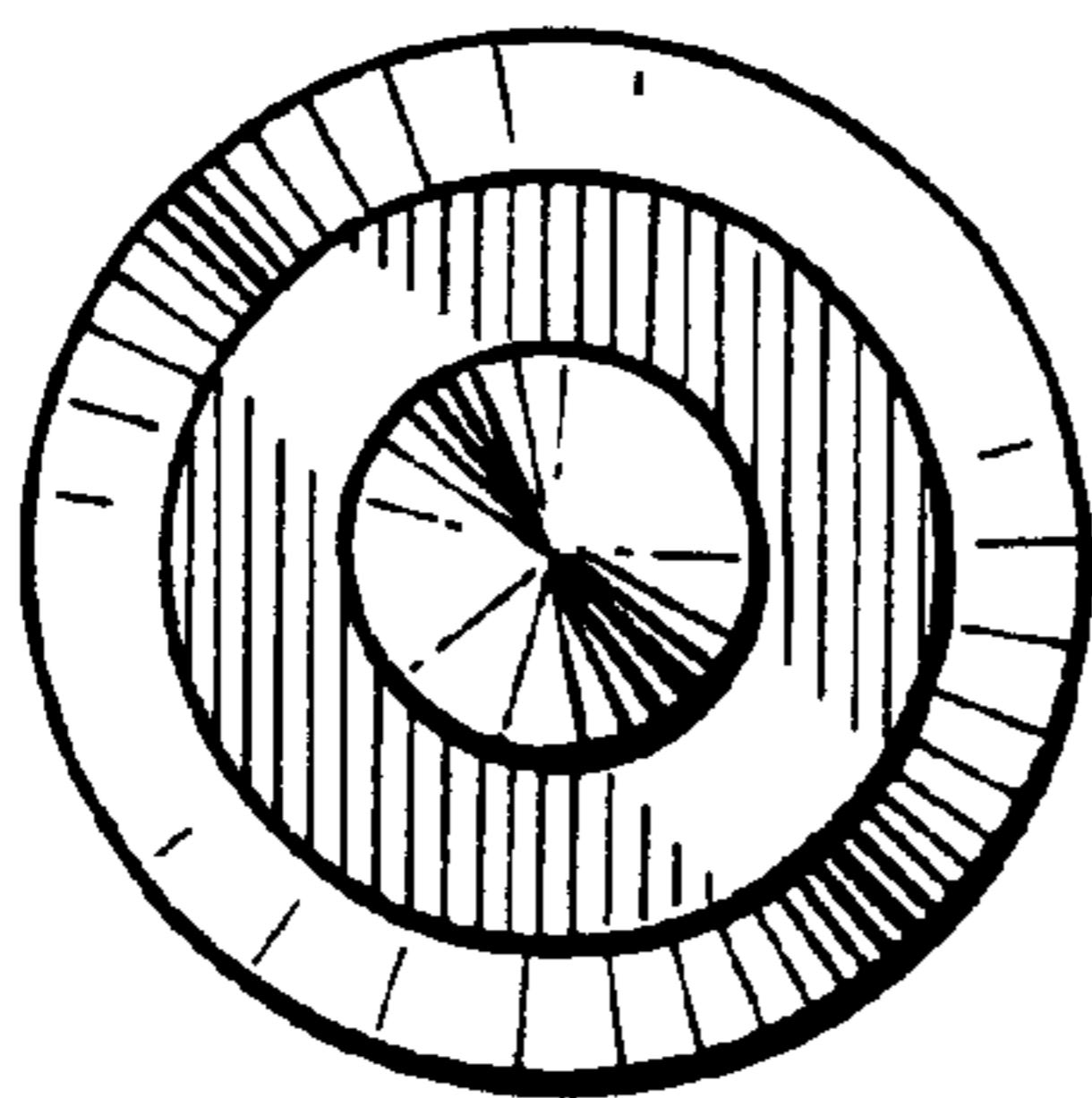


FIG. 3

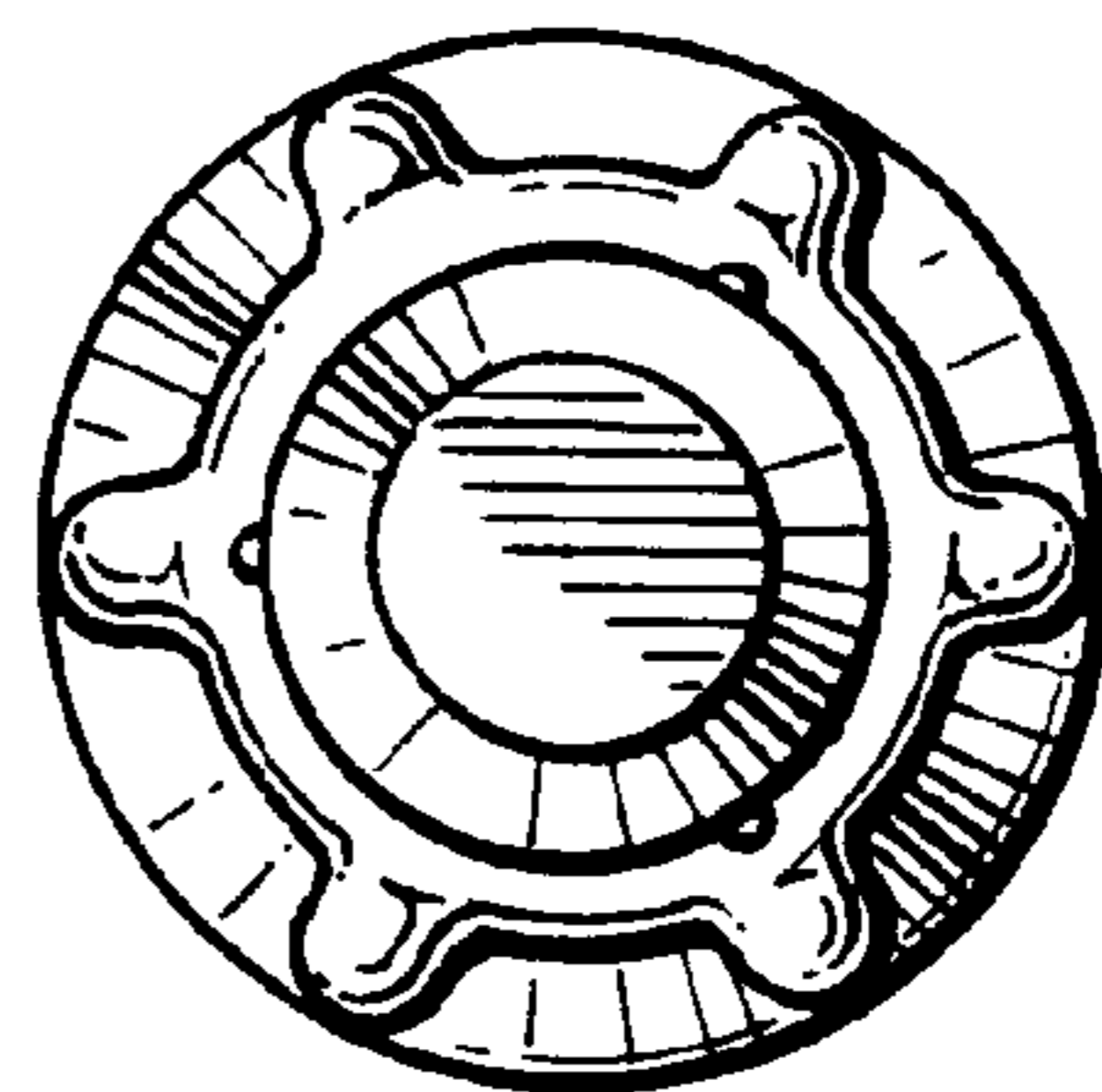


FIG. 4