



US00D413970S

United States Patent [19]
Chen

[11] **Patent Number: Des. 413,970**

[45] **Date of Patent: ** Sep. 14, 1999**

[54] **FIGHTER AROMATIC CONTAINER**

D. 390,942 2/1998 Mei D23/367

[76] Inventor: **Hsiang Mei Chen**, 50-27 Lane, Kuo Hsiung ST, Feng Shan City, Kaohsiung, Taiwan

Primary Examiner—Lisa Lichtenstein
Attorney, Agent, or Firm—Pro-Techtor International Services

[**] Term: **14 Years**

[57] **CLAIM**

[21] Appl. No.: **29/092,464**

The ornamental design for a fighter aromatic container, as shown.

[22] Filed: **Aug. 19, 1998**

DESCRIPTION

[51] **LOC (6) Cl.** **23-04**

[52] **U.S. Cl.** **D23/367; D12/344; D21/450; D23/366**

[58] **Field of Search** D23/366-369; D12/344; D21/450, 447; 261/DIG. 65; 422/305, 120; 239/211, 34, 57, 55, 58, 56, 60

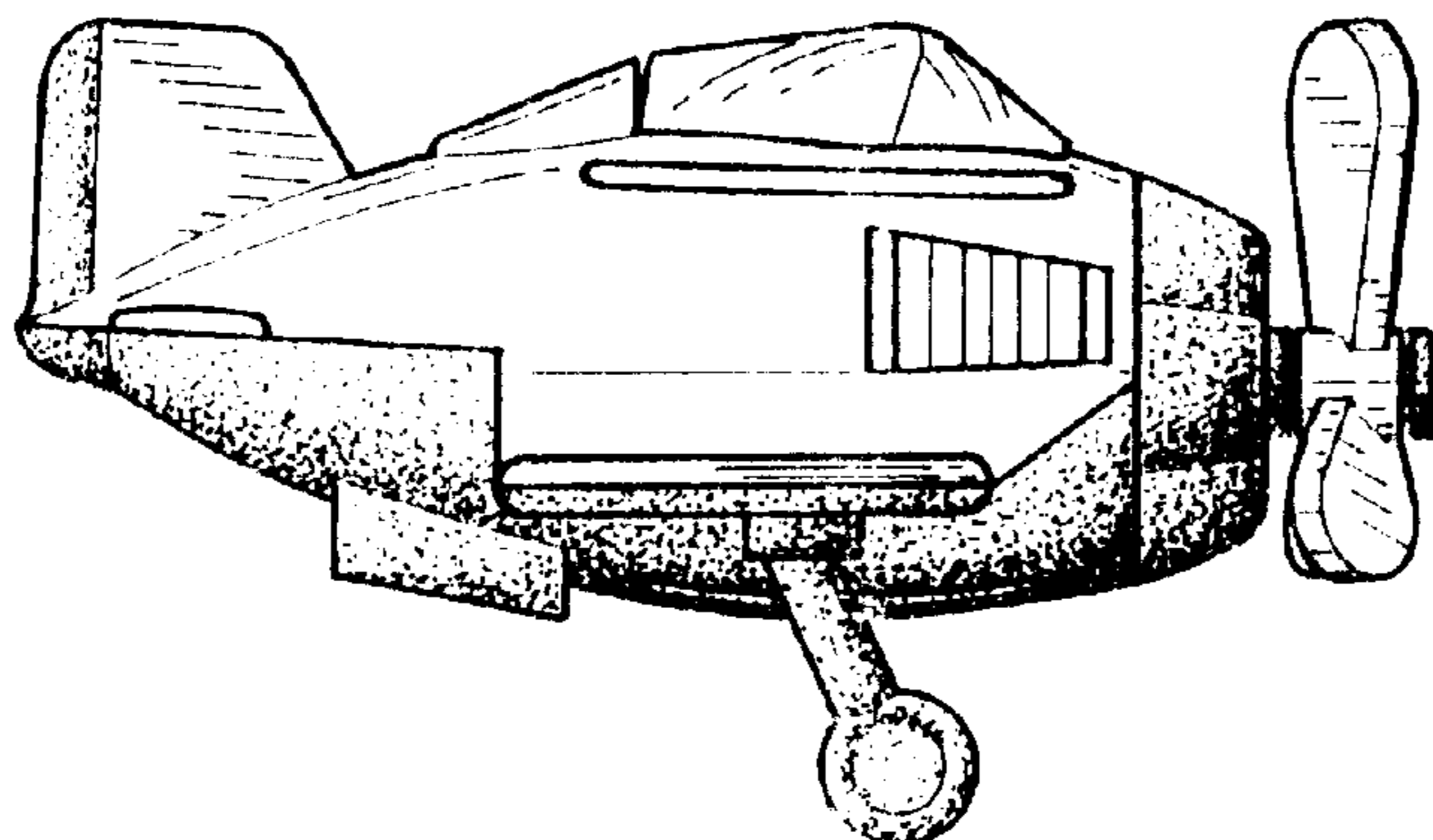
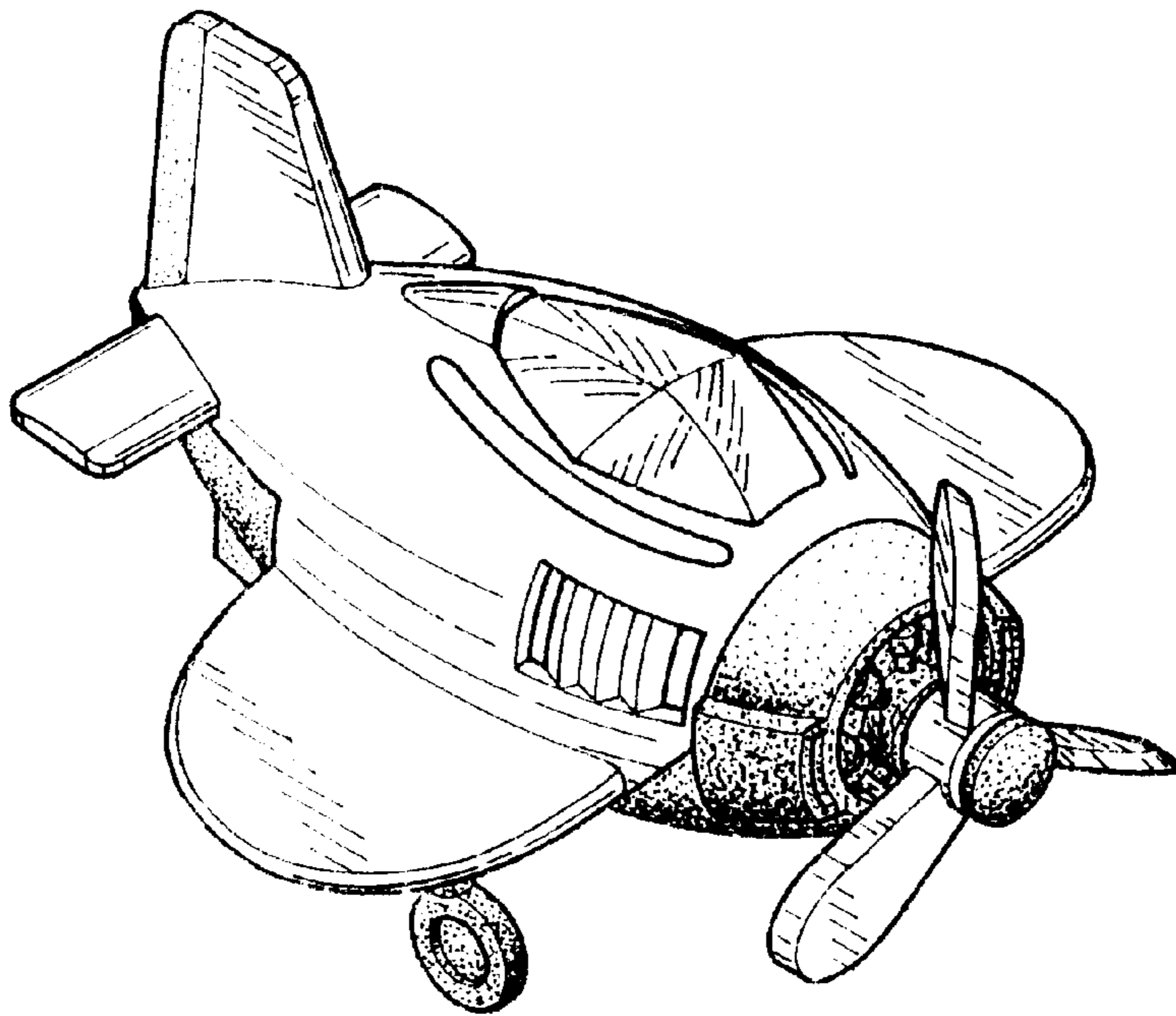
FIG. 1 is a top, left, front, perspective view of a fighter aromatic container showing my new design;
FIG. 2 is a front elevational view thereof;
FIG. 3 is a rear elevational view thereof;
FIG. 4 is a left side view elevational thereof;
FIG. 5 is a right side elevational view thereof;
FIG. 6 is a top plan view thereof; and,
FIG. 7 is a bottom plan view thereof.

[56] **References Cited**

U.S. PATENT DOCUMENTS

D. 133,001 7/1942 Spooner D12/344

1 Claim, 2 Drawing Sheets



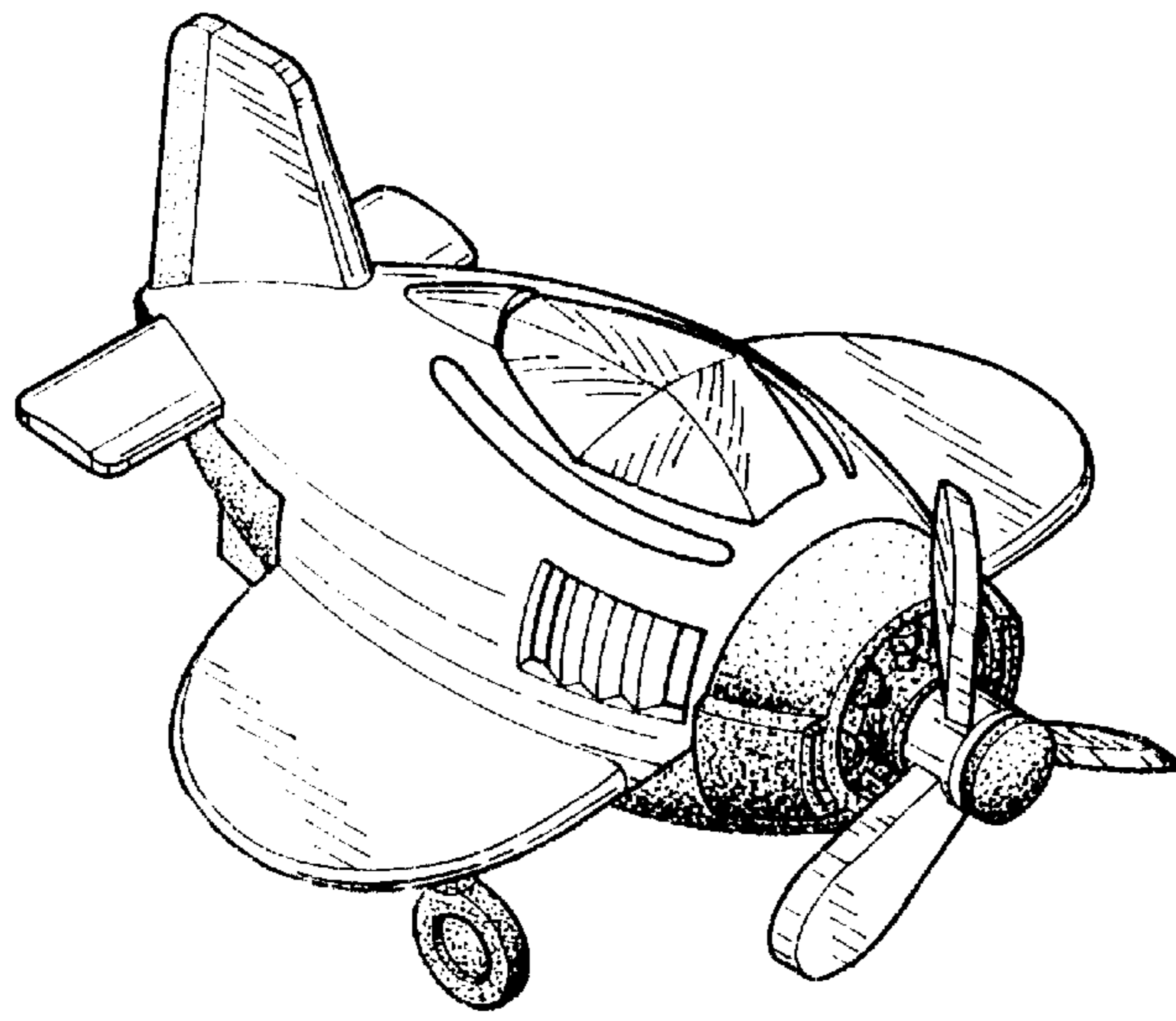


FIG. 1

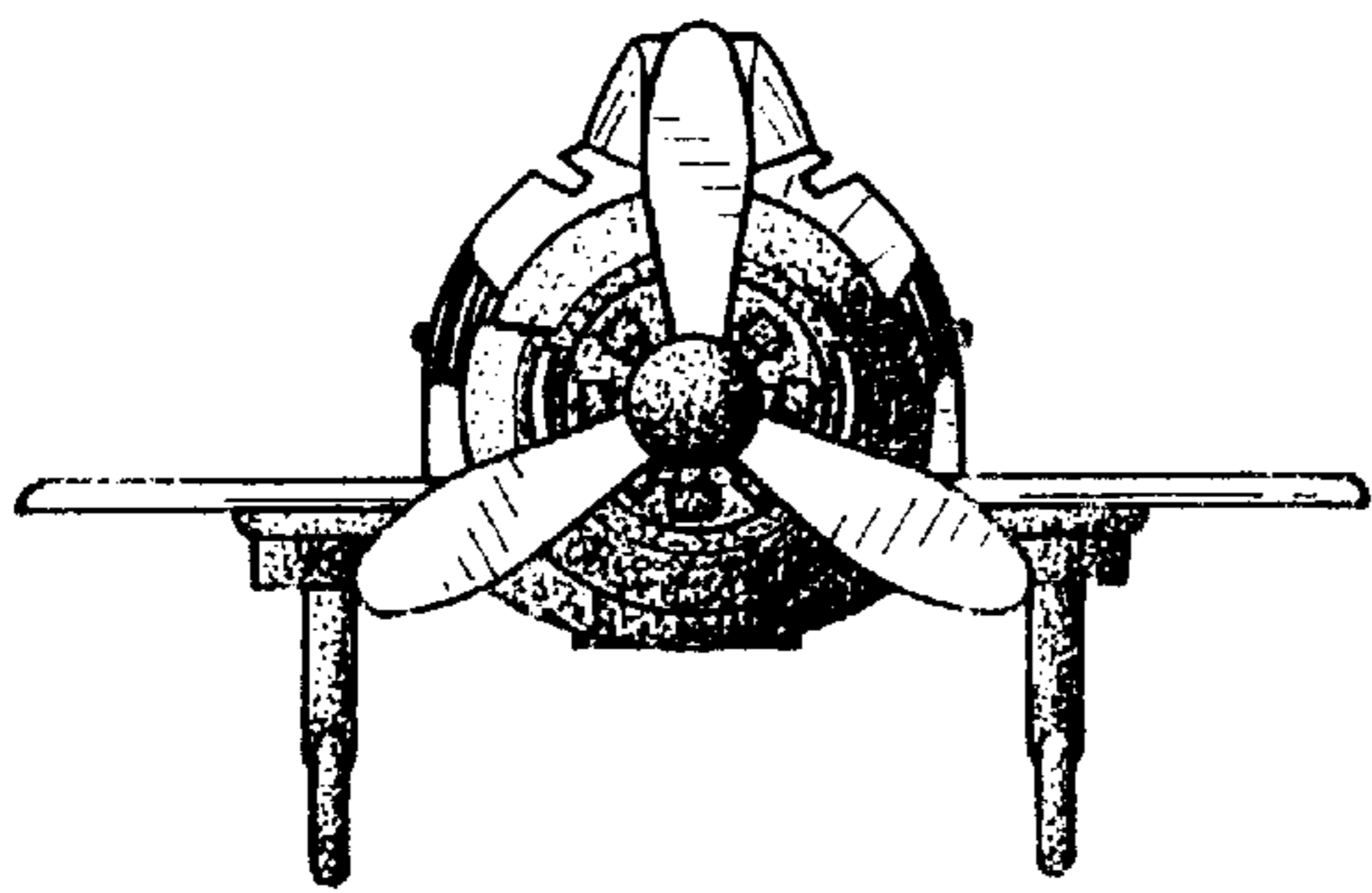


FIG. 2

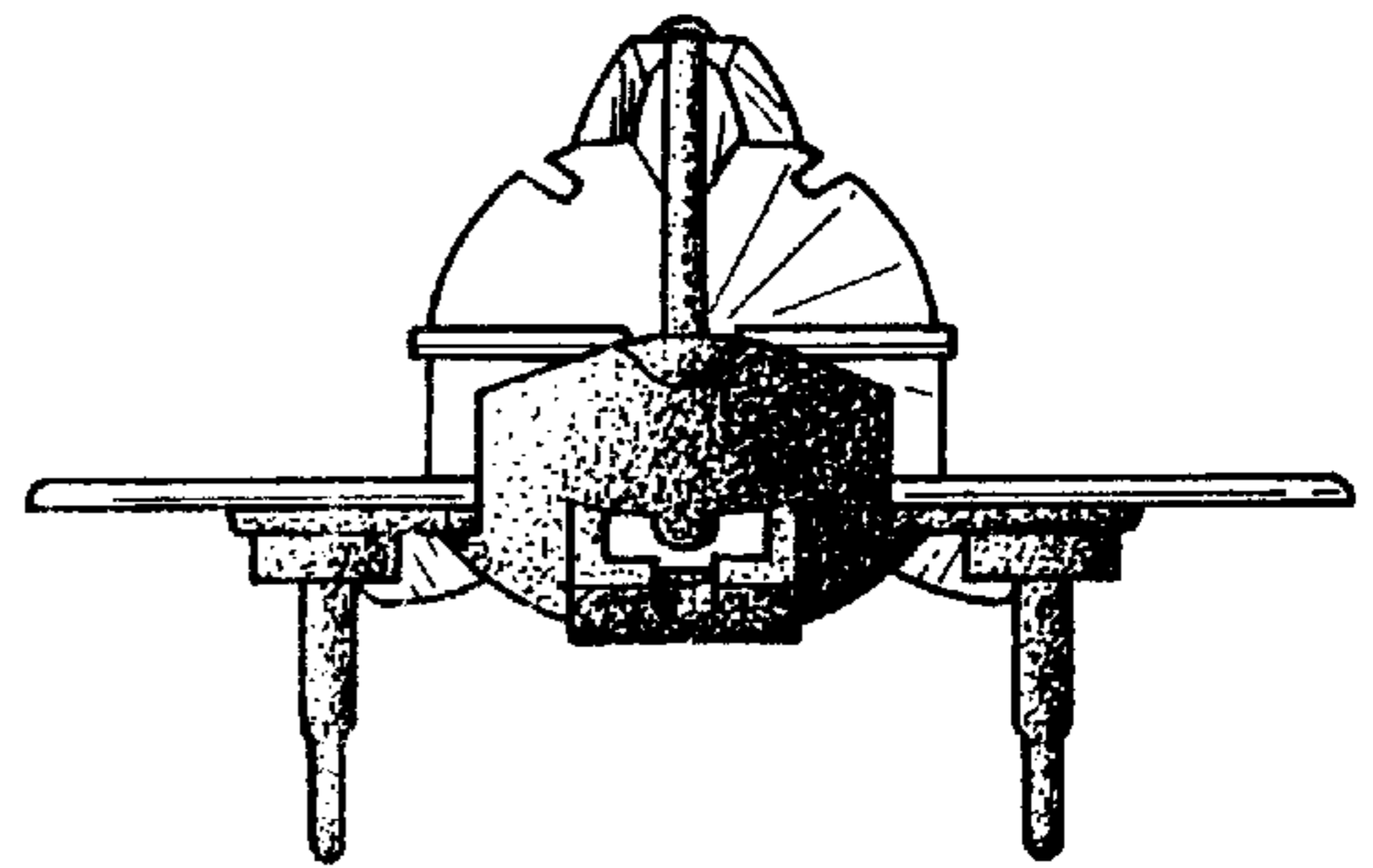


FIG. 3

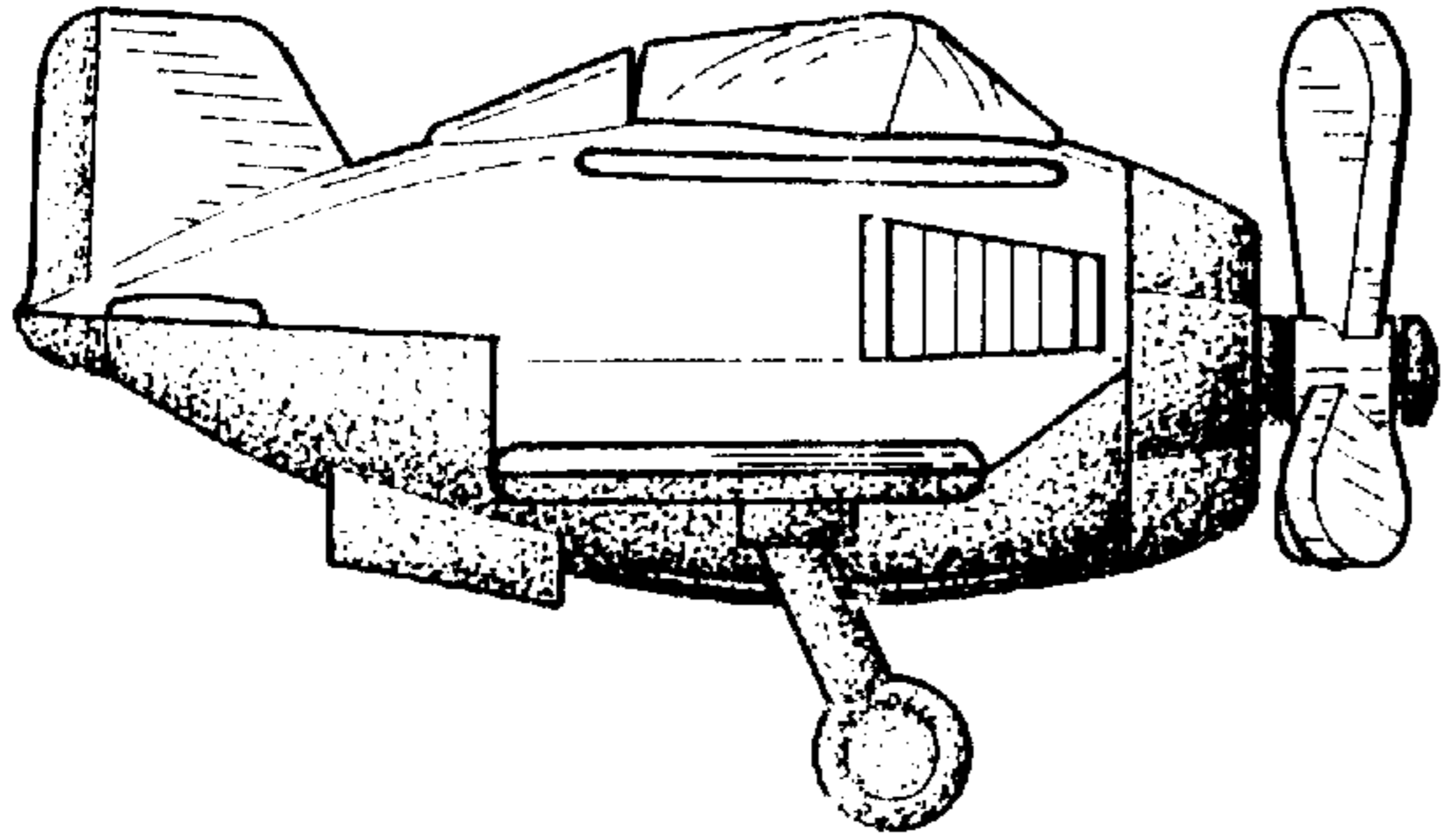


FIG. 4

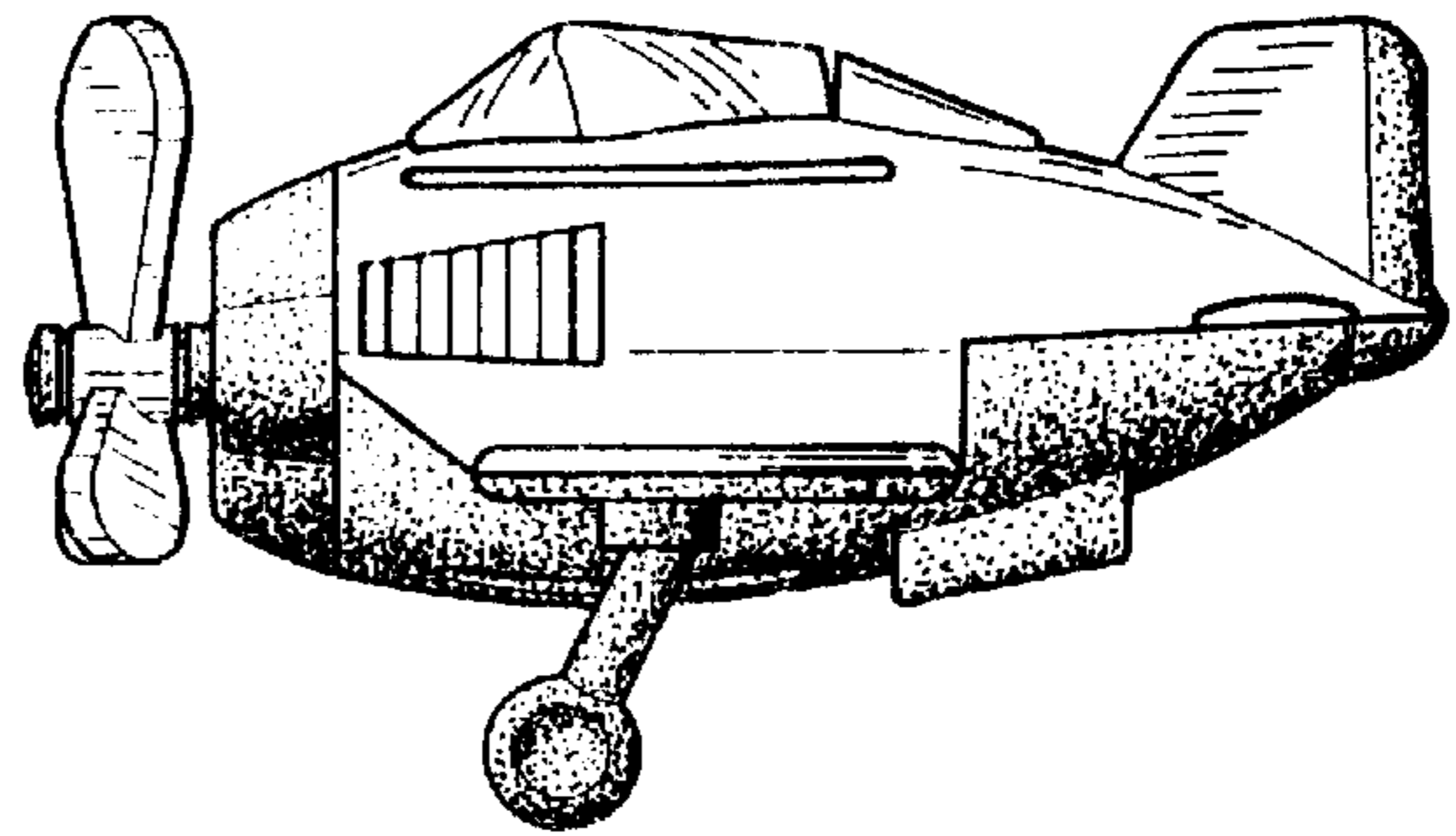


FIG. 5

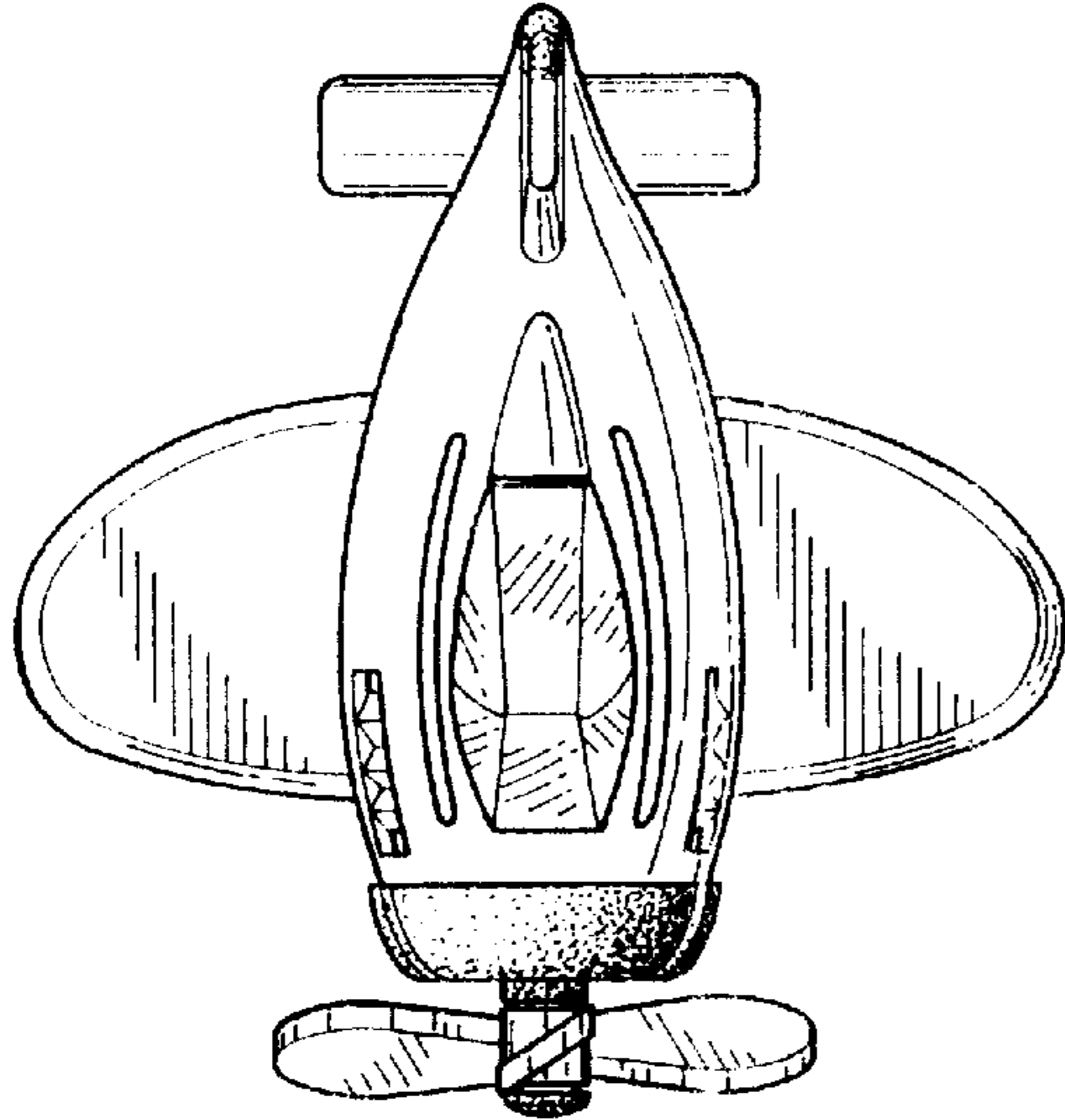


FIG. 6

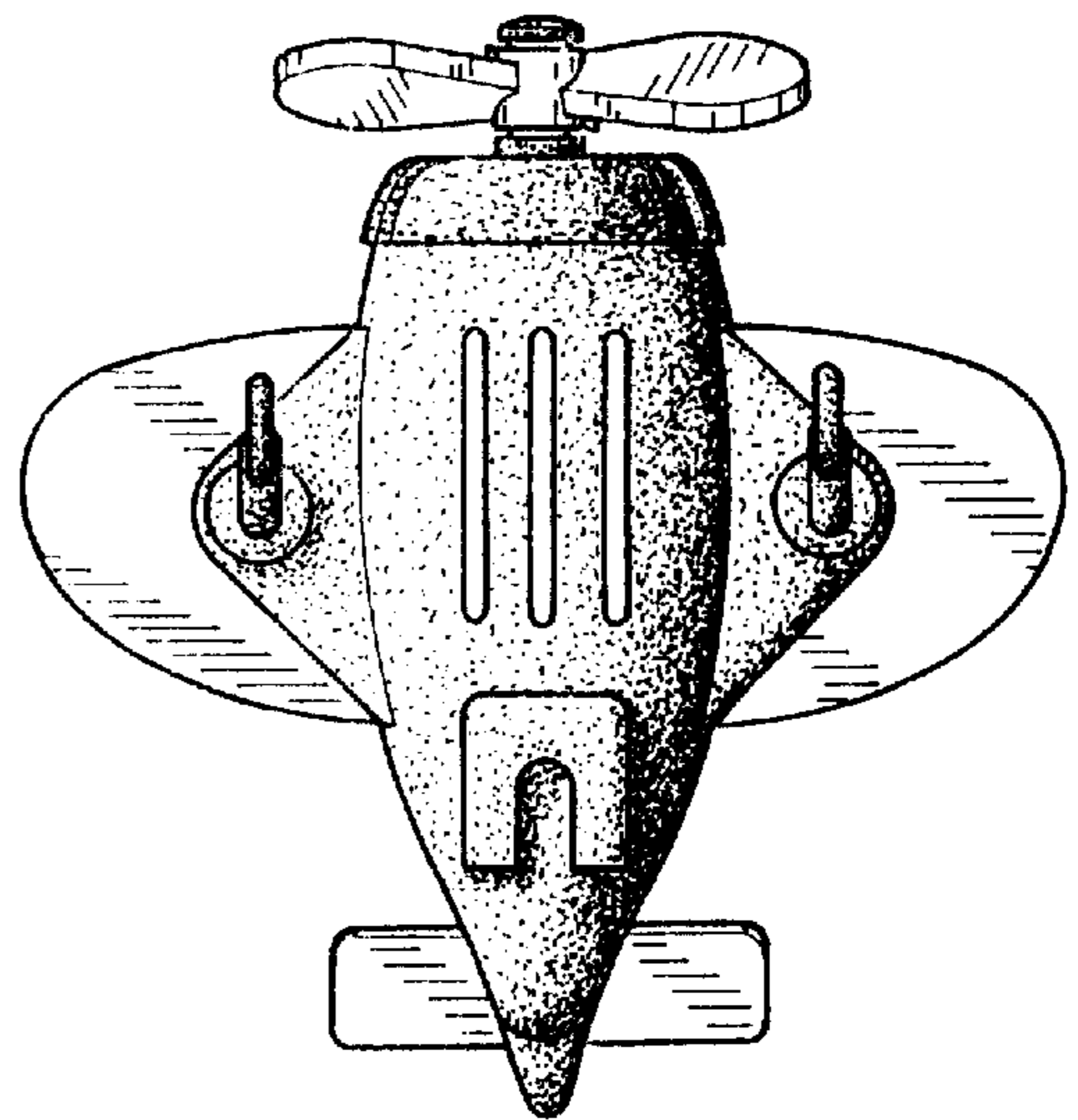


FIG. 7