



US00D413966S

# United States Patent [19] Pitsch

[11] **Patent Number: Des. 413,966**

[45] **Date of Patent: \*\* Sep. 14, 1999**

[54] **FAUCET SPOUT**

D. 368,956	4/1996	Haug et al.	.....	D23/238
D. 379,848	6/1997	Doughty et al.	.....	D23/255
4,513,769	4/1985	Purcell	.....	137/315

[75] Inventor: **Walter Pitsch**, Franklin Park, N.J.

[73] Assignee: **American Standard Inc.**, Piscataway, N.J.

*Primary Examiner*—Louis S. Zarfes  
*Assistant Examiner*—Eric Watterson

[\*\*] Term: **14 Years**

[57] **CLAIM**

[21] Appl. No.: **29/086,503**

The ornamental design for a faucet spout, as shown and described.

[22] Filed: **Apr. 14, 1998**

**DESCRIPTION**

[51] **LOC (6) Cl.** ..... **23-01**

[52] **U.S. Cl.** ..... **D23/255**

[58] **Field of Search** ..... D23/238–243,  
D23/250–257; 4/675–678; 137/801

FIG. 1 is a top, front, and left side perspective view of a faucet spout showing my new design;  
FIG. 2 is a front elevational view thereof;  
FIG. 3 is rear elevational view thereof;  
FIG. 4 is a top plan view thereof;  
FIG. 5 is a bottom plan view thereof; and,  
FIG. 6 is a left side elevational view, the right side being a mirror image thereof.

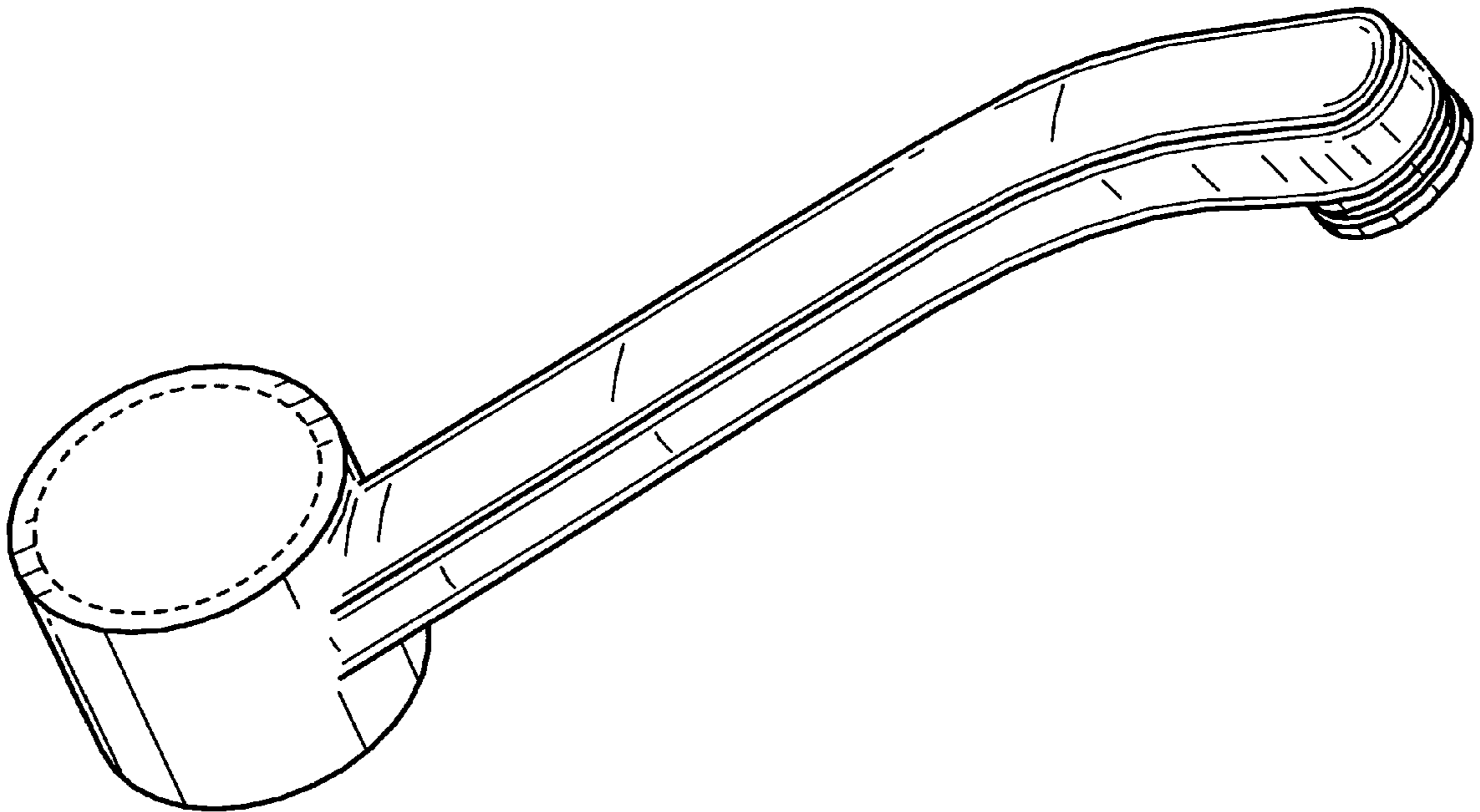
[56] **References Cited**

**U.S. PATENT DOCUMENTS**

D. 359,112	6/1995	Mark et al.	.....	D23/238
D. 363,534	10/1995	Hill et al.	.....	D23/238
D. 364,211	11/1995	Hill et al.	.....	D23/238
D. 365,142	12/1995	Hill et al.	.....	D23/255
D. 367,918	3/1996	Haug et al.	.....	D23/238

The broken line showing is for illustrative purposes only and forms no part of the claimed design.

**1 Claim, 4 Drawing Sheets**



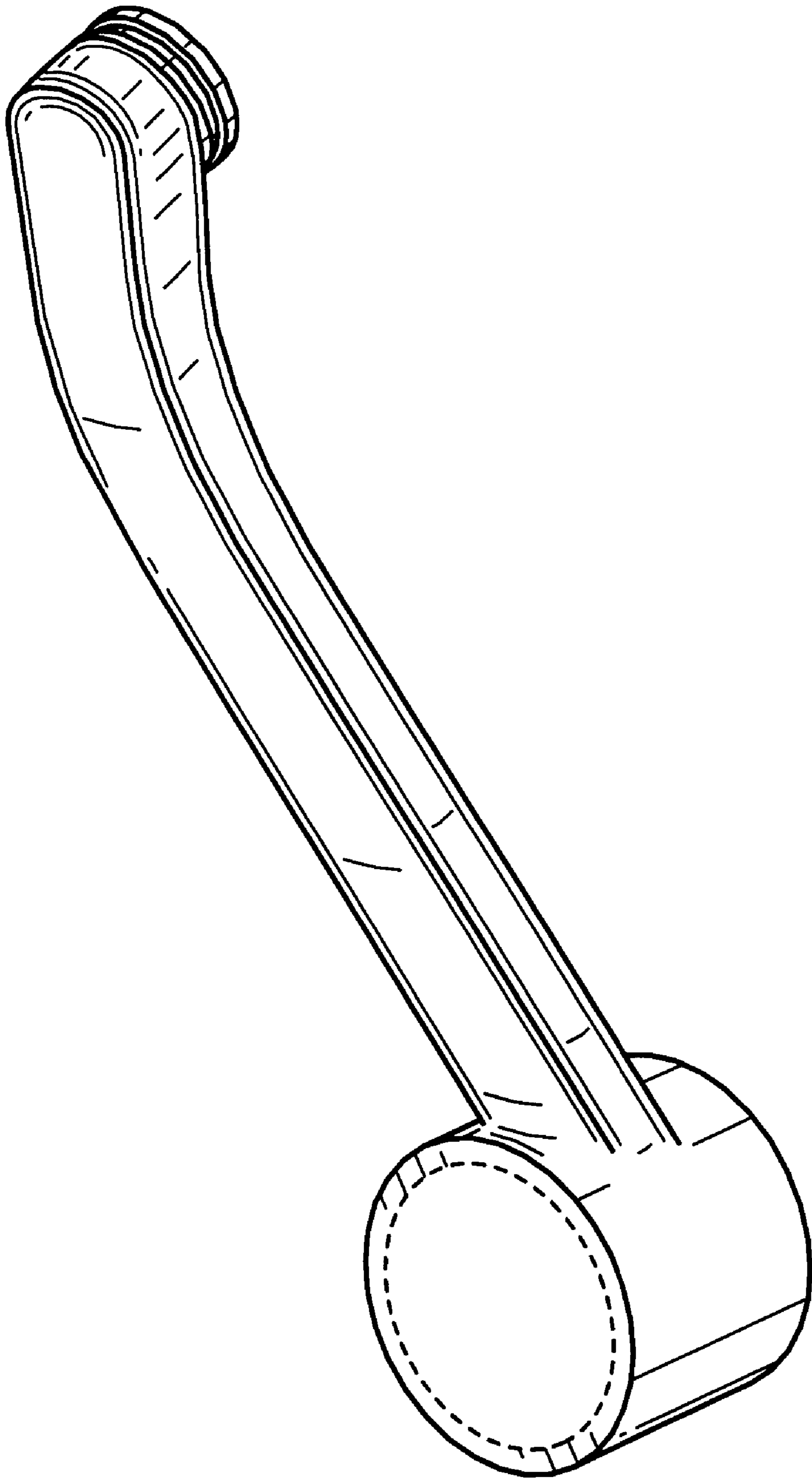


FIG. 1

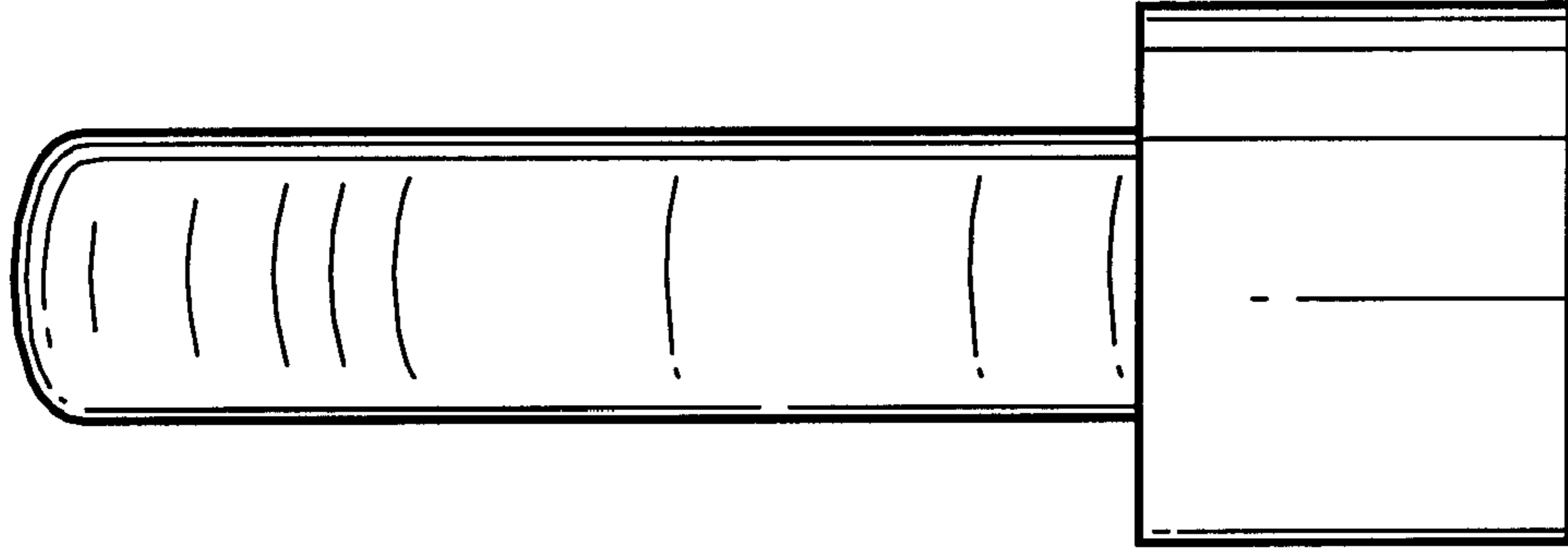


FIG. 3

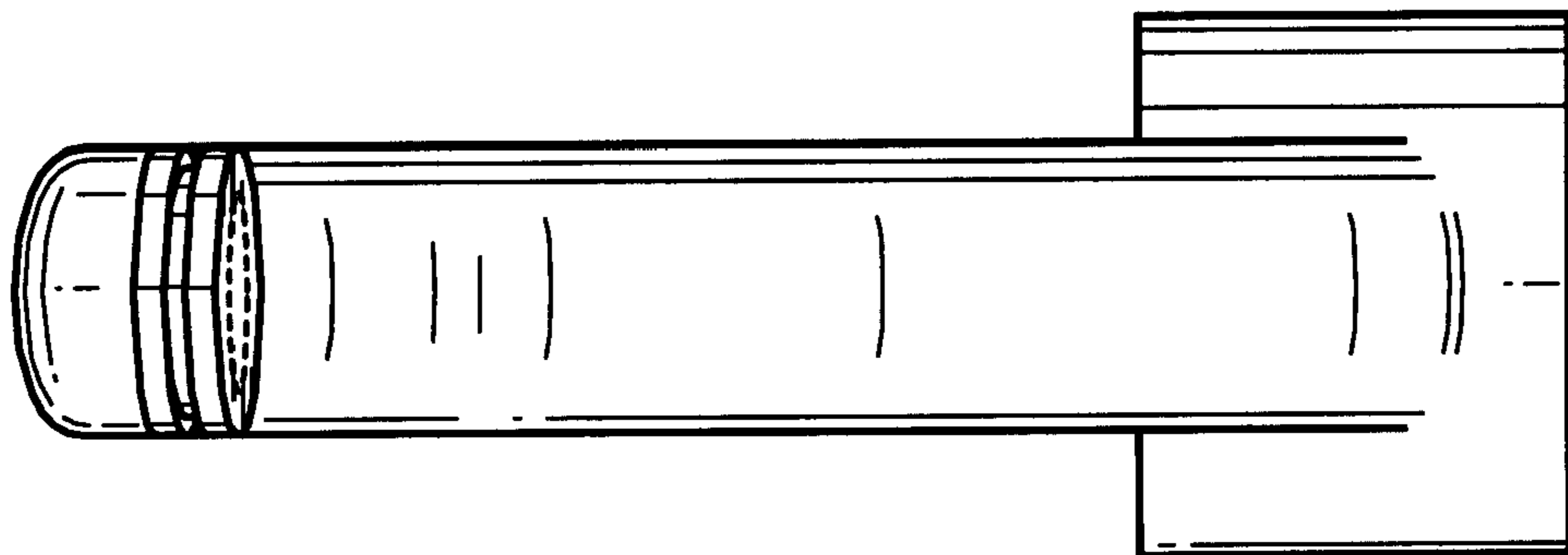


FIG. 2

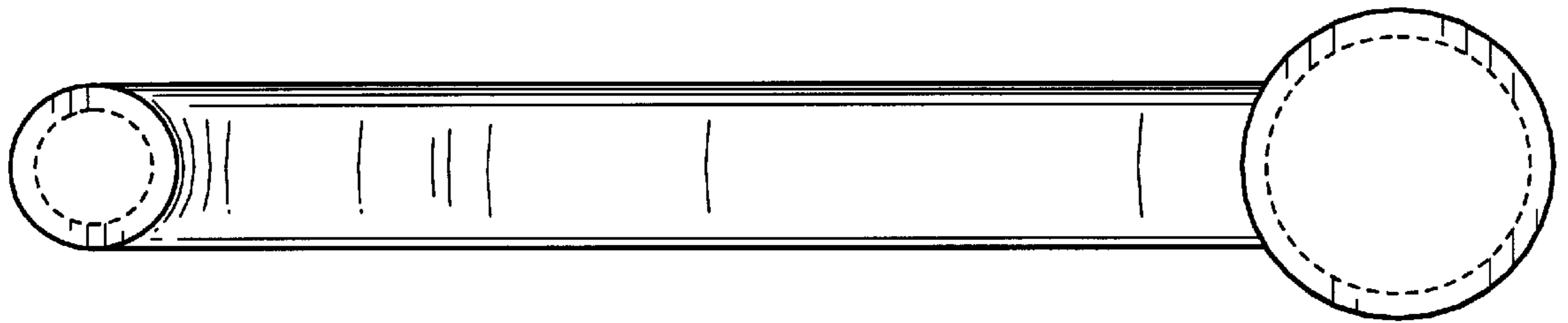


FIG. 5

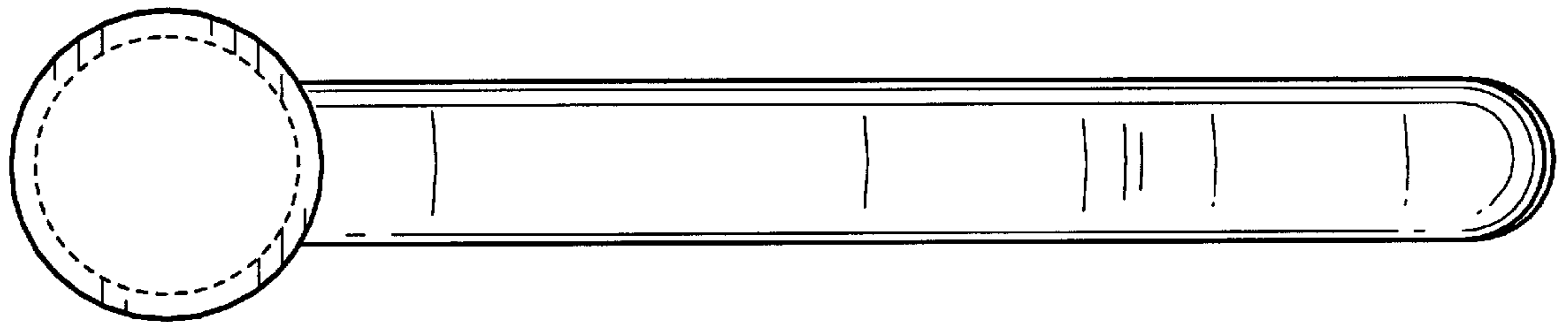


FIG. 4

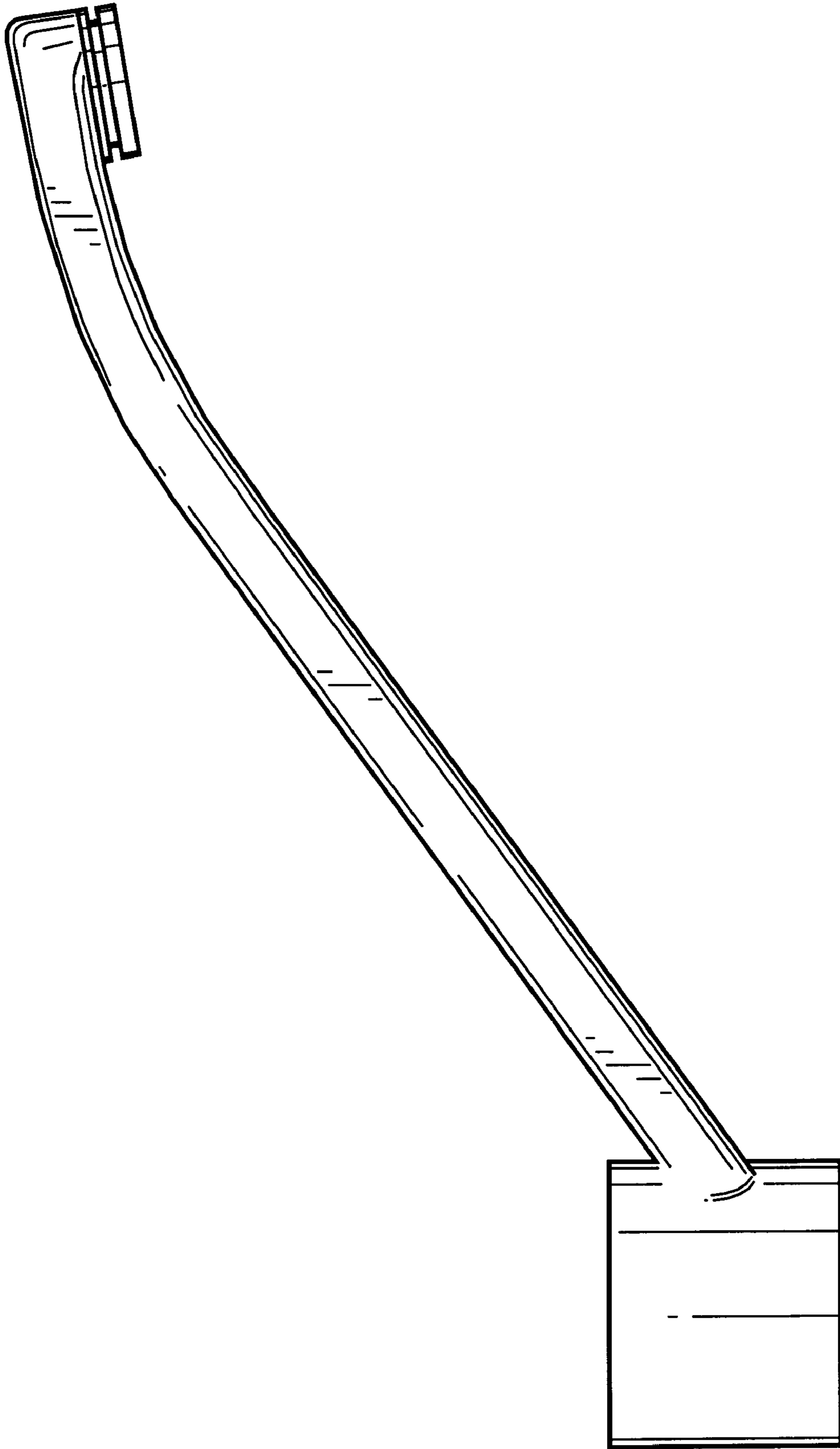


FIG. 6