



US00D413965S

United States Patent [19] Ko

[11] **Patent Number: Des. 413,965**

[45] **Date of Patent: ** Sep. 14, 1999**

[54] **MIXING FAUCET HANDLE**

[75] Inventor: **Hsi-Chia Ko**, Changhua Hsien, Taiwan

[73] Assignee: **Chung Cheng Faucet Co., Ltd.**,
Changhua Hsien, Taiwan

[**] Term: **14 Years**

[21] Appl. No.: **29/093,061**

[22] Filed: **Sep. 2, 1998**

[51] **LOC (6) Cl.** **23-01**

[52] **U.S. Cl.** **D23/252**

[58] **Field of Search** D23/238-243,
D23/250-257; 4/675-678; D8/300-310;
16/110 R-121

[56] **References Cited**

U.S. PATENT DOCUMENTS

- D. 297,257 8/1988 Kohler, Jr. et al. D23/252
- D. 324,725 3/1992 Lang et al. D23/252
- D. 339,852 9/1993 Jans D23/252

- D. 362,139 9/1995 Brunner et al. D6/479
- D. 366,519 1/1996 Lobermeier D23/252

Primary Examiner—Louis S. Zarfes
Assistant Examiner—Eric Watterson
Attorney, Agent, or Firm—Bacon & Thomas, PLLC

[57] **CLAIM**

The ornamental design for “mixing faucet handle”, as shown and described.

DESCRIPTION

FIG. 1 is a perspective view of mixing faucet handle showing my new design.

FIG. 2 is a front view thereof;

FIG. 3 is a rear view thereof;

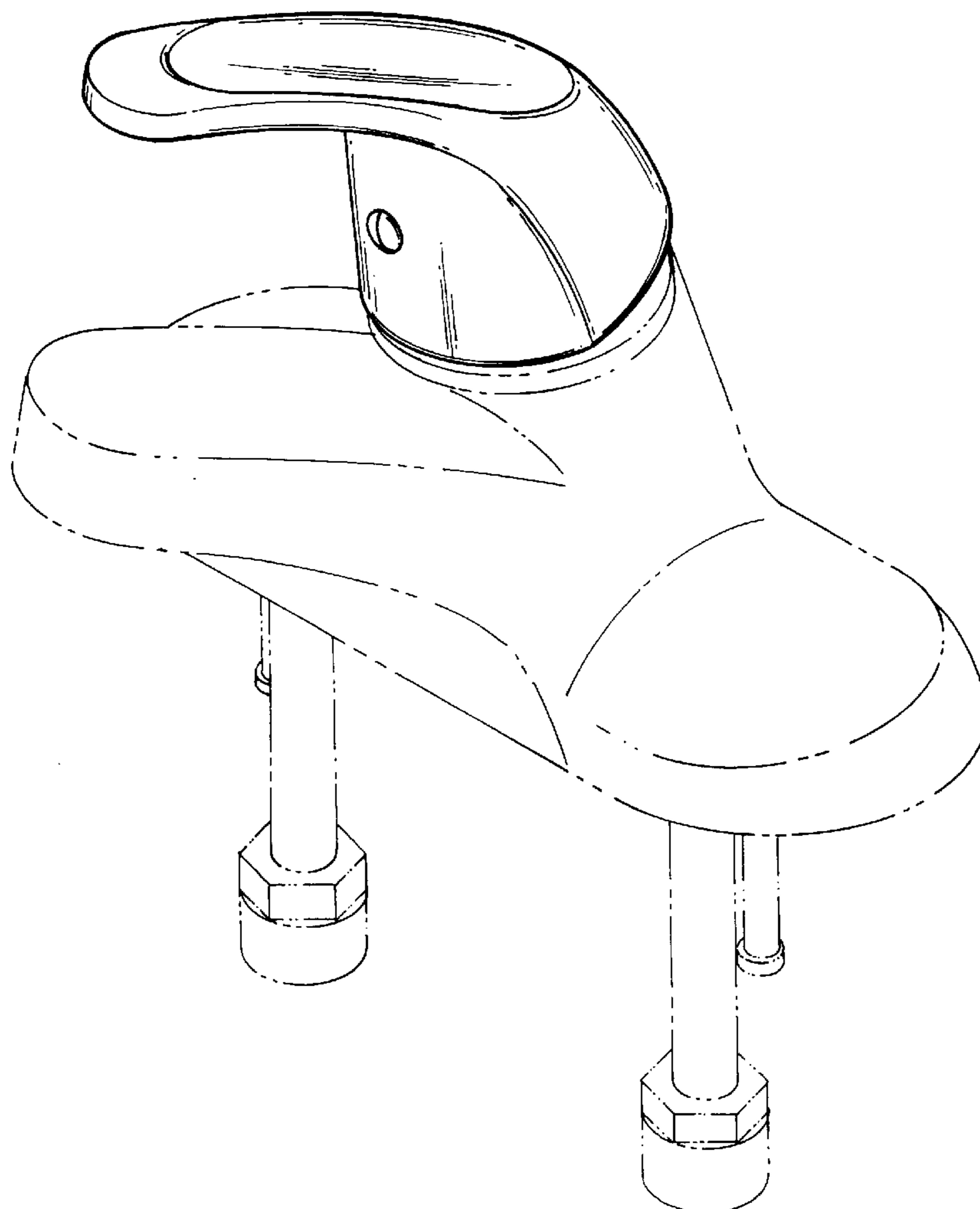
FIG. 4 is a left side view thereof, the right side is identical;

FIG. 5 is top view thereof; and,

FIG. 6 is a bottom view thereof.

The broken line showing is for illustrative purposes only and forms no part of the claimed design.

1 Claim, 4 Drawing Sheets



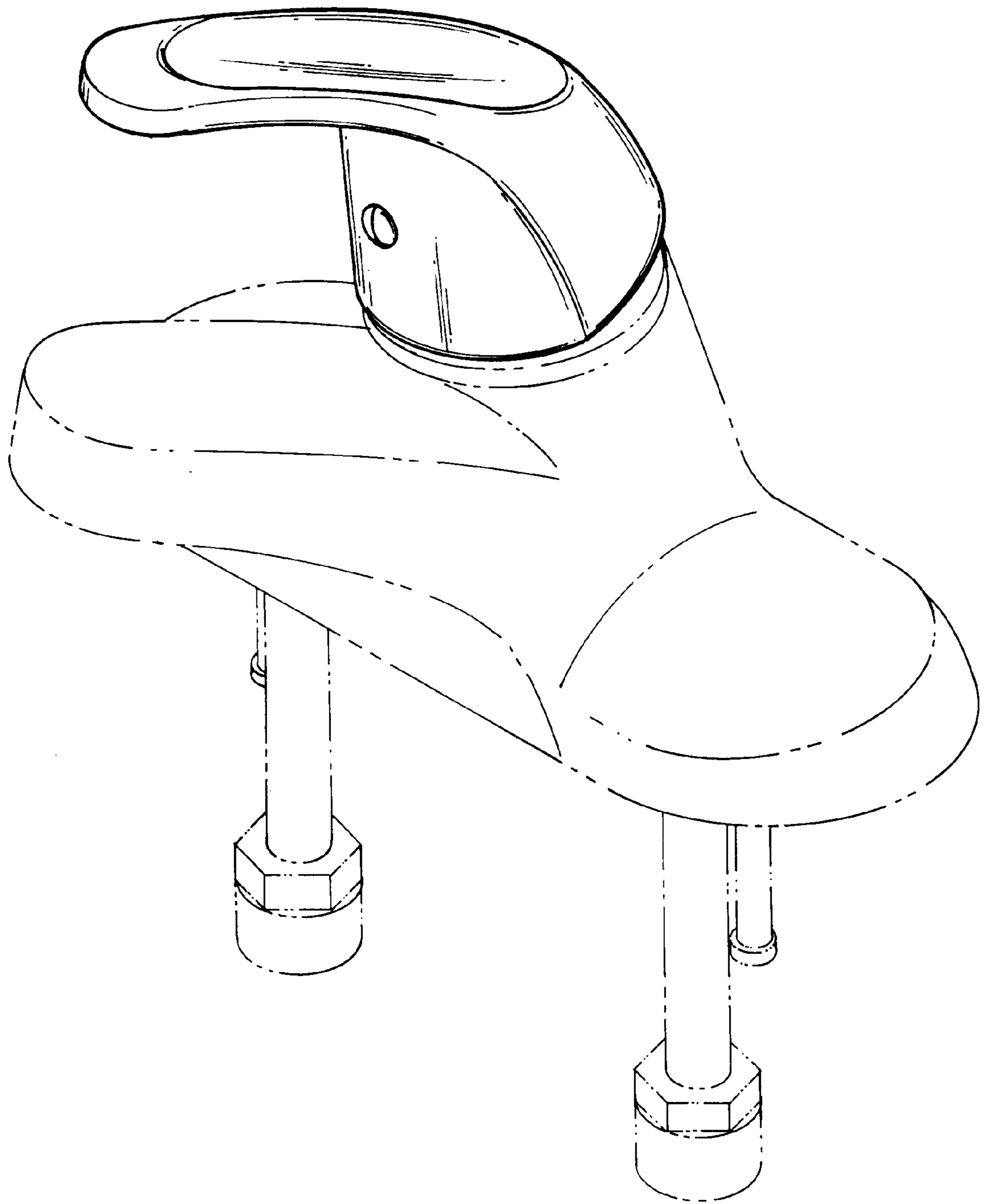


FIG. 1

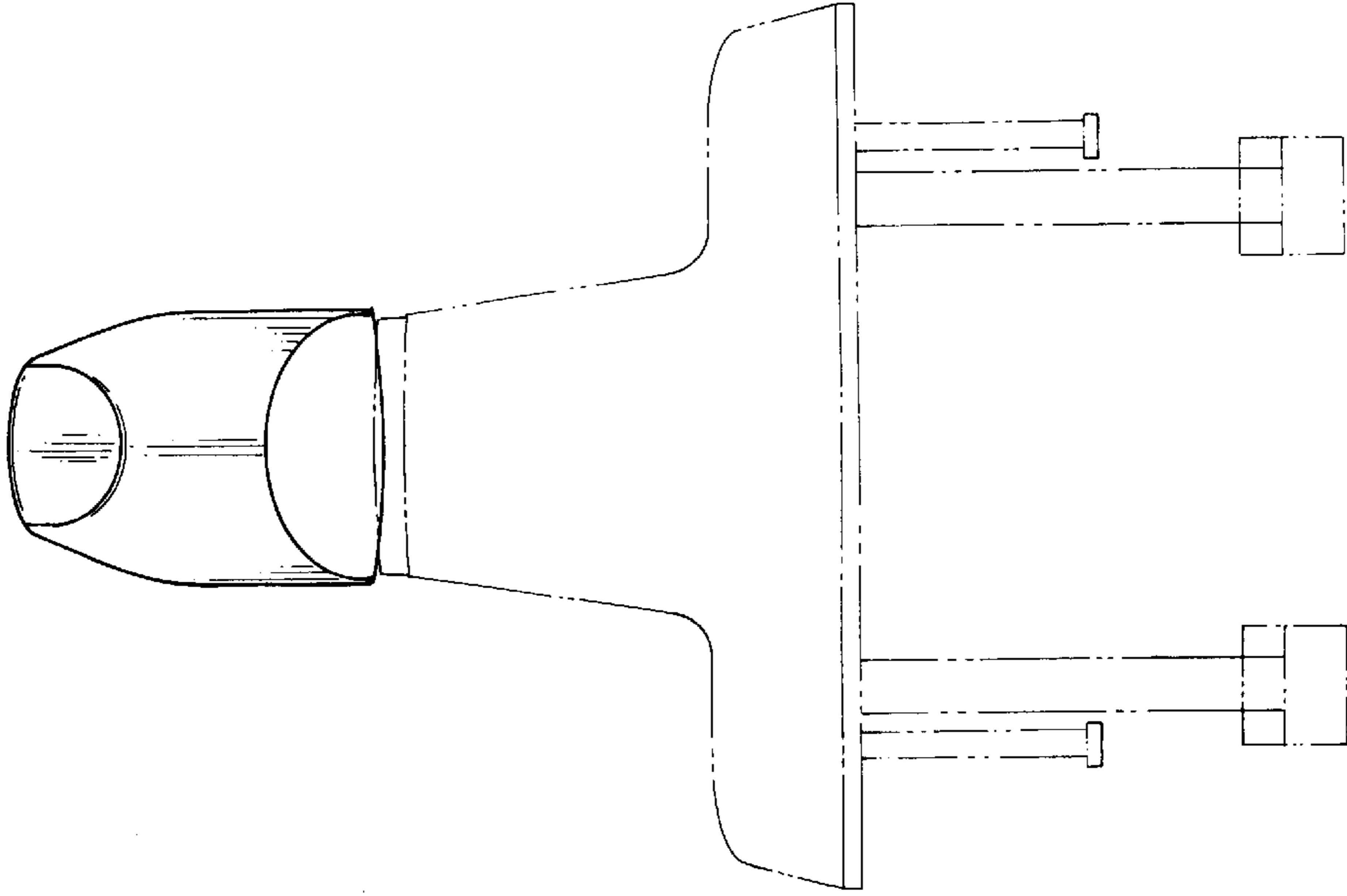


FIG. 3

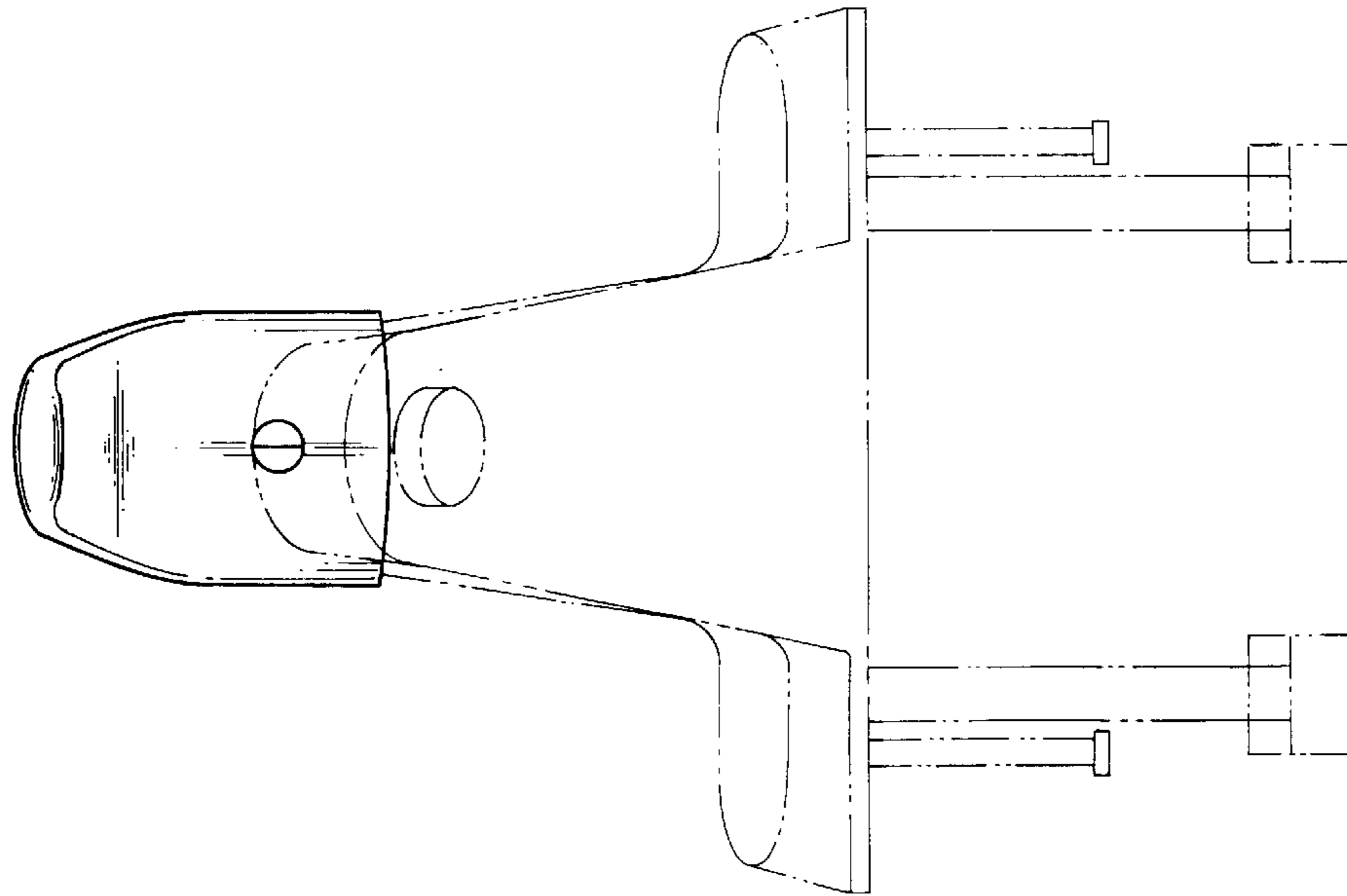


FIG. 2

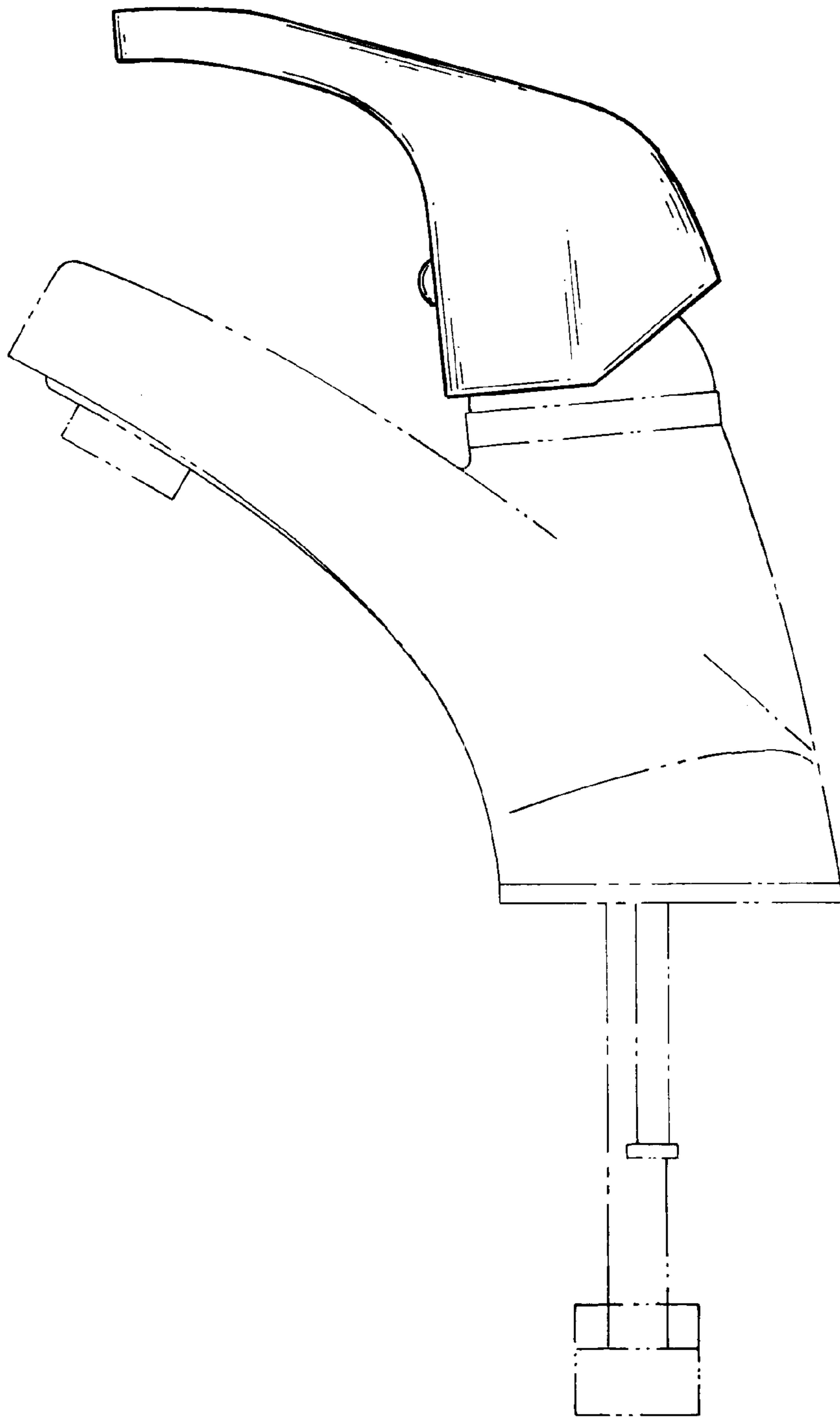


FIG. 4

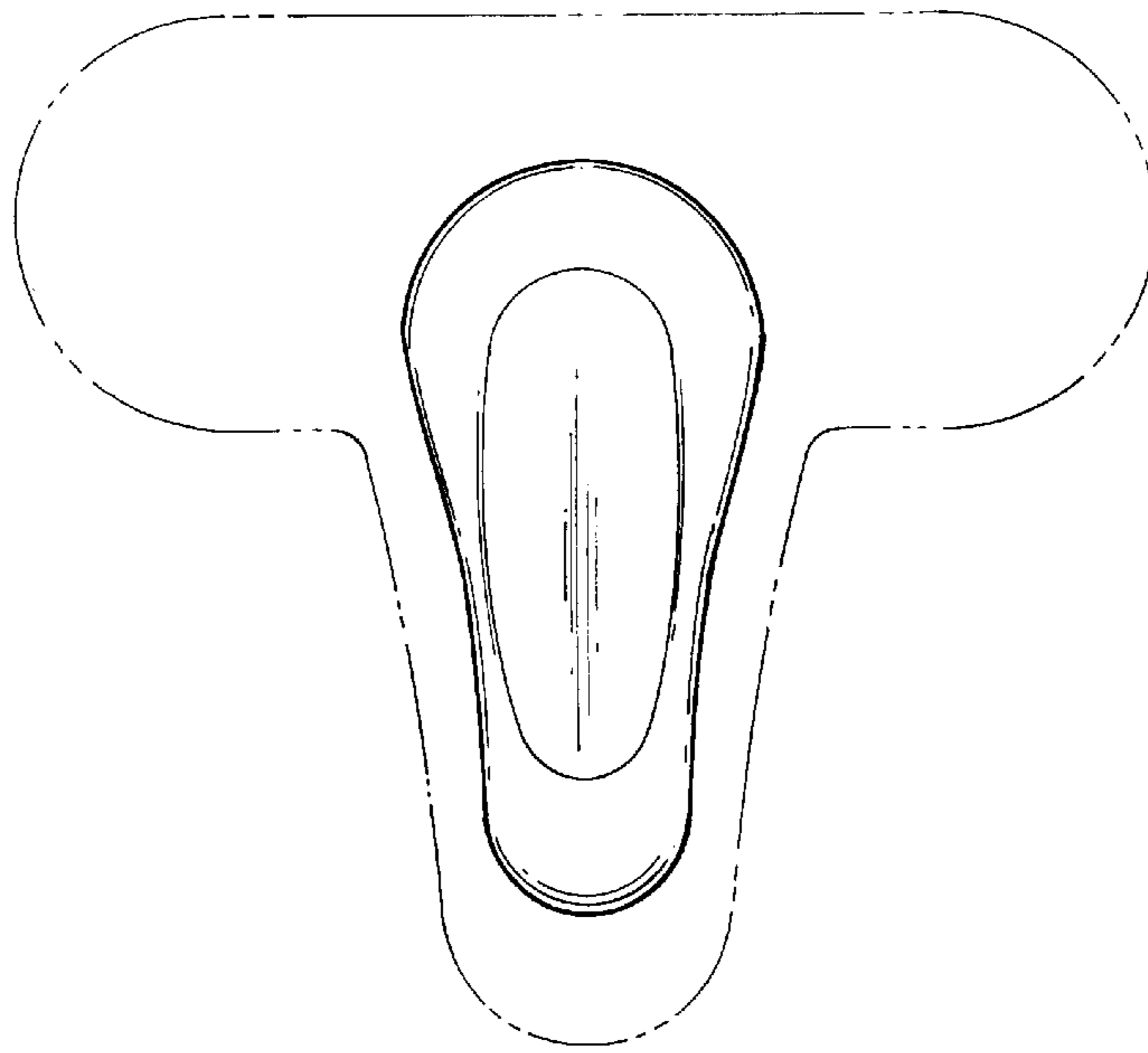


FIG. 5

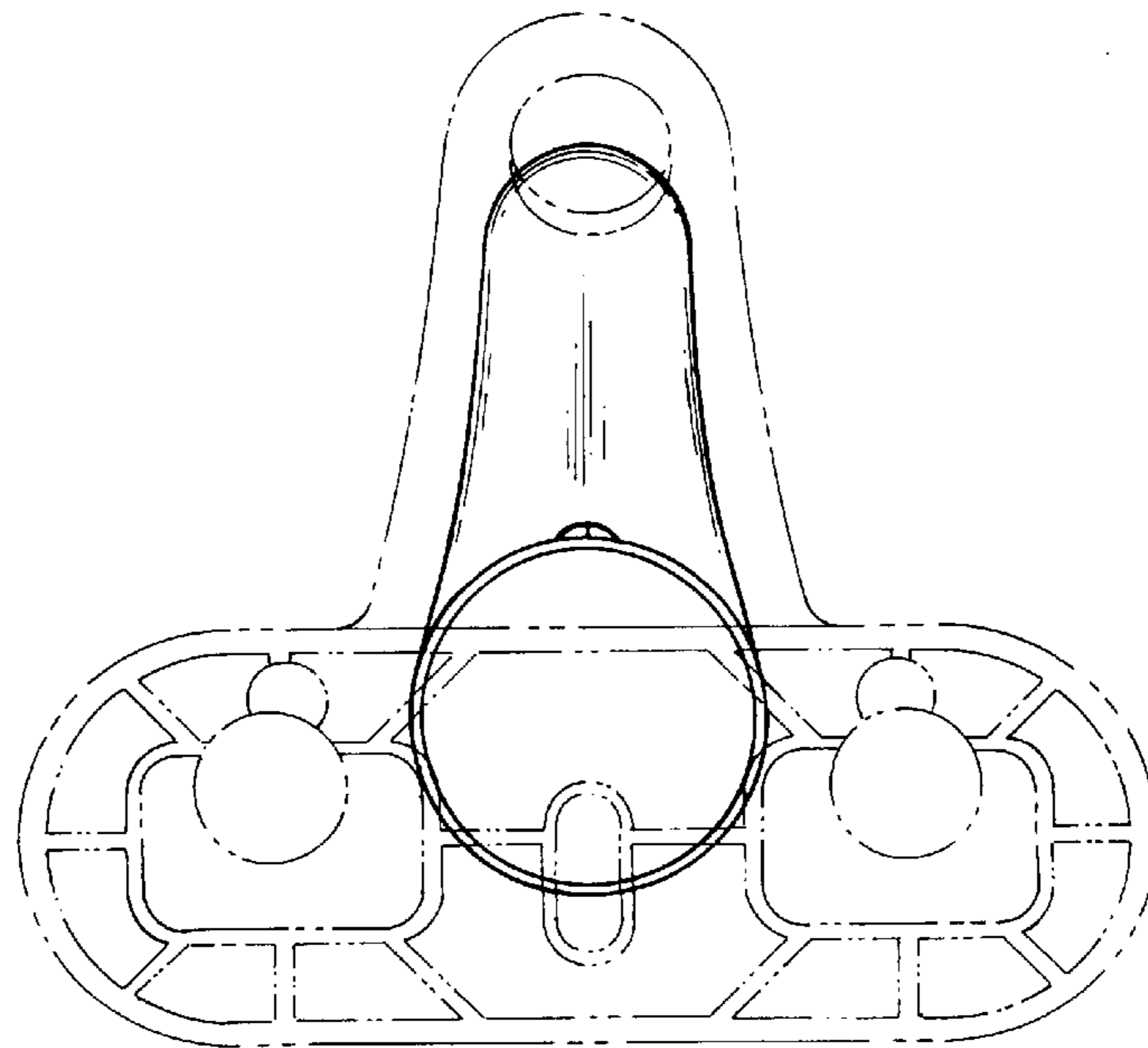


FIG. 6